



US00D401314S

# United States Patent [19]

Boyle et al.

[11] **Patent Number: Des. 401,314**

[45] **Date of Patent: \*\*Nov. 17, 1998**

## [54] PORTABLE ELECTRIC HEATER

[75] Inventors: **Stephan Boyle**, Belmont; **Walter Birdsell**, Shrewsbury; **Steven L. Hecker**, Waltham, all of Mass.; **Richard O'Grady**, Southington, Conn.

[73] Assignee: **Honeywell Inc.**, Minneapolis, Minn.

[\*\*] Term: **14 Years**

[21] Appl. No.: **63,634**

[22] Filed: **Dec. 12, 1996**

[51] **LOC (6) Cl.** ..... **23-04**

[52] **U.S. Cl.** ..... **D23/335; D23/332**

[58] **Field of Search** ..... **D23/332, 335, D23/328, 337; 392/365-369, 373, 374; D14/204, 210, 214, 188, 194**

## [56] **References Cited**

### U.S. PATENT DOCUMENTS

D. 195,561	7/1963	Erickson	.....	D14/214
D. 333,866	3/1993	Wang	.....	D23/335
D. 354,343	1/1995	Goldstein	.....	D23/335
D. 376,418	12/1996	Wang	.....	D23/337
5,278,936	1/1994	Shao	.....	392/365

## OTHER PUBLICATIONS

Owner's Guide for Holmes Products Corp's HFH-297 Wide Angle Heater.

Picture of box panel for Holmes Products Corp.'s Oscillating Twin Ceramic Heater, Model No. HCH 4099.

Picture of box panel for Holmes Products Corp.'s Twin Ceramic Heater, Model No. HCH 4066.

*Primary Examiner*—Lisa Lichtenstein

*Attorney, Agent, or Firm*—Loletta L. Darden

## [57] **CLAIM**

The ornamental design for a portable electric heater, as shown and described.

## DESCRIPTION

FIG. 1 shows a front perspective view of a portable electric heater incorporating our design;

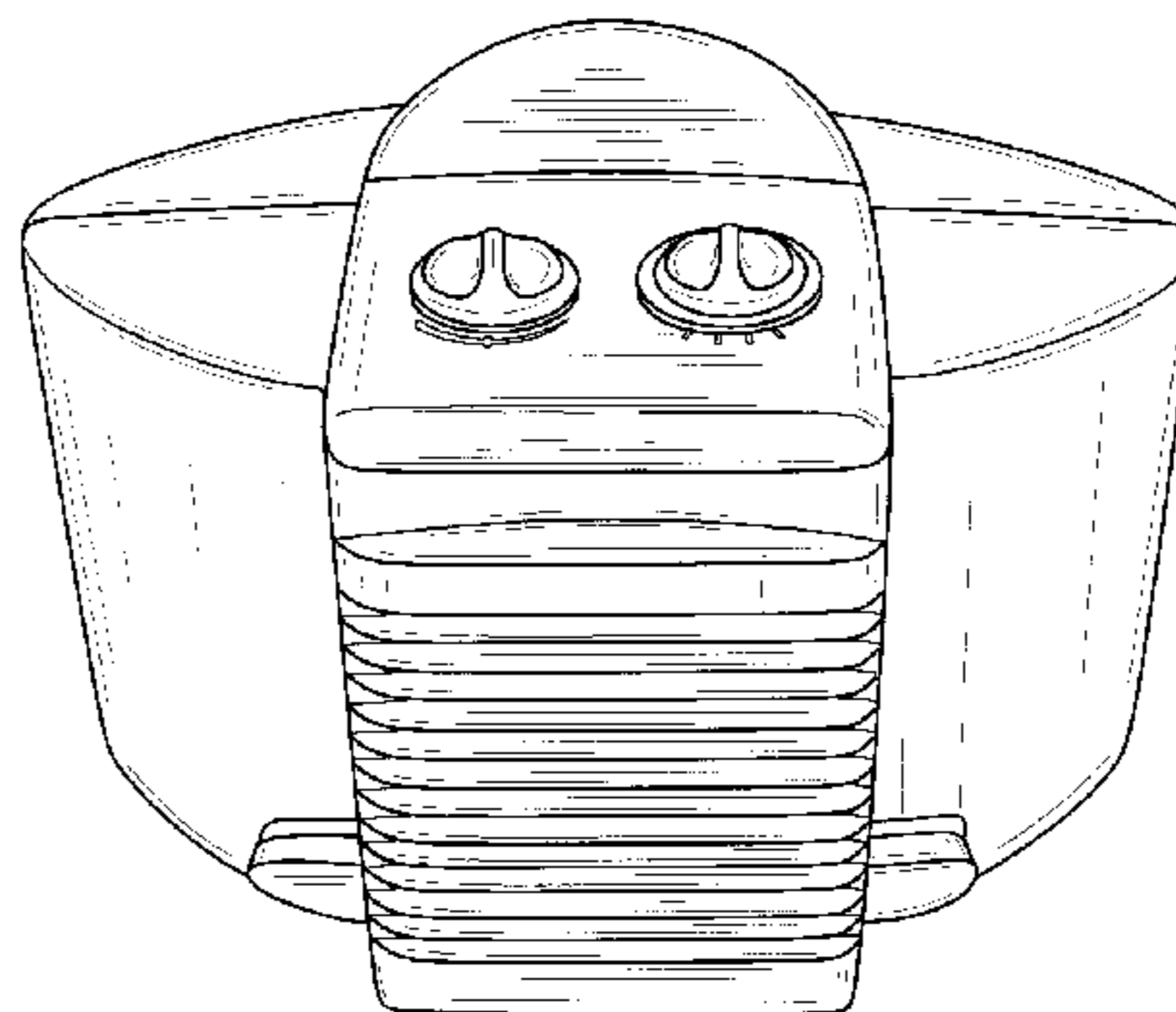
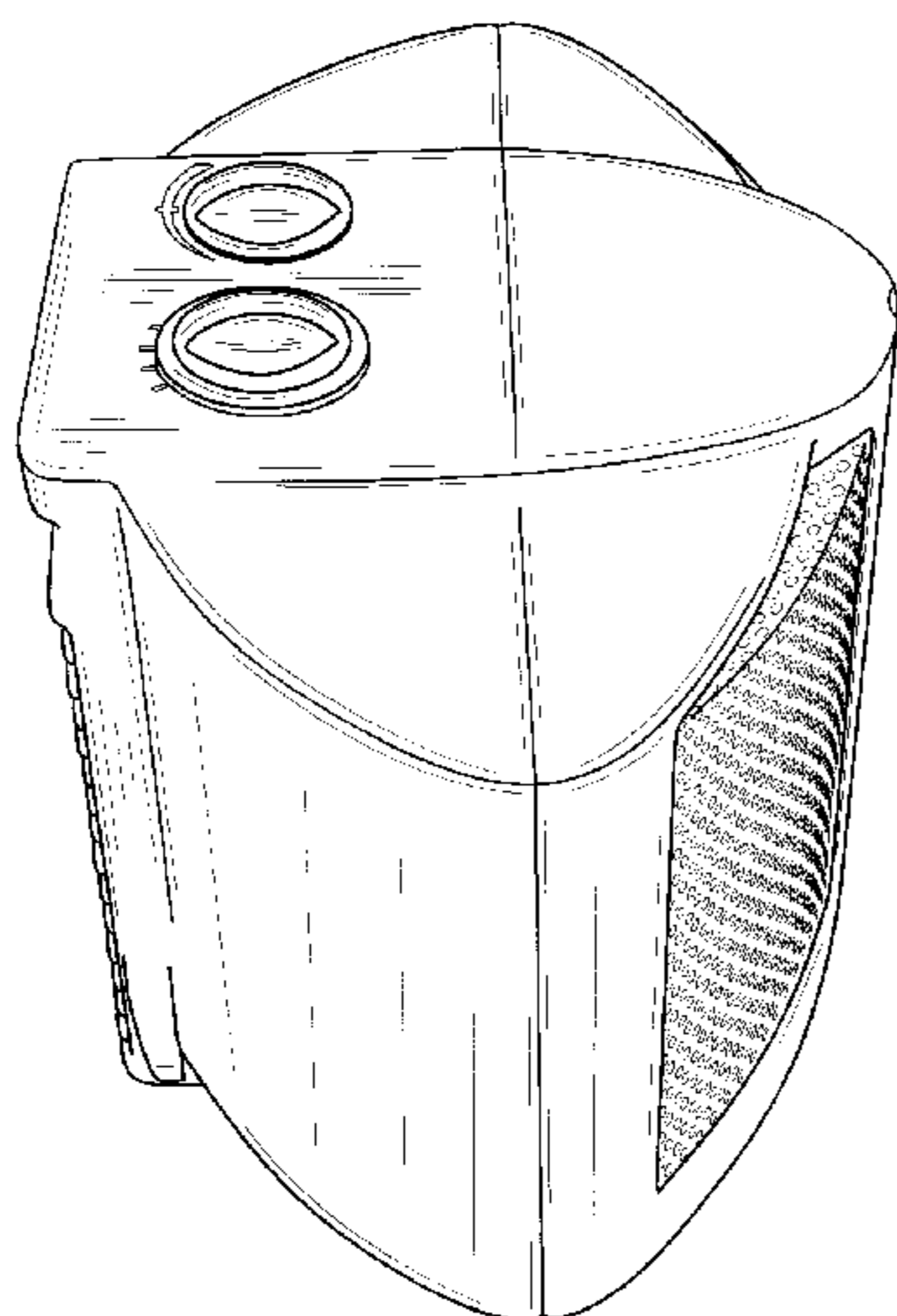
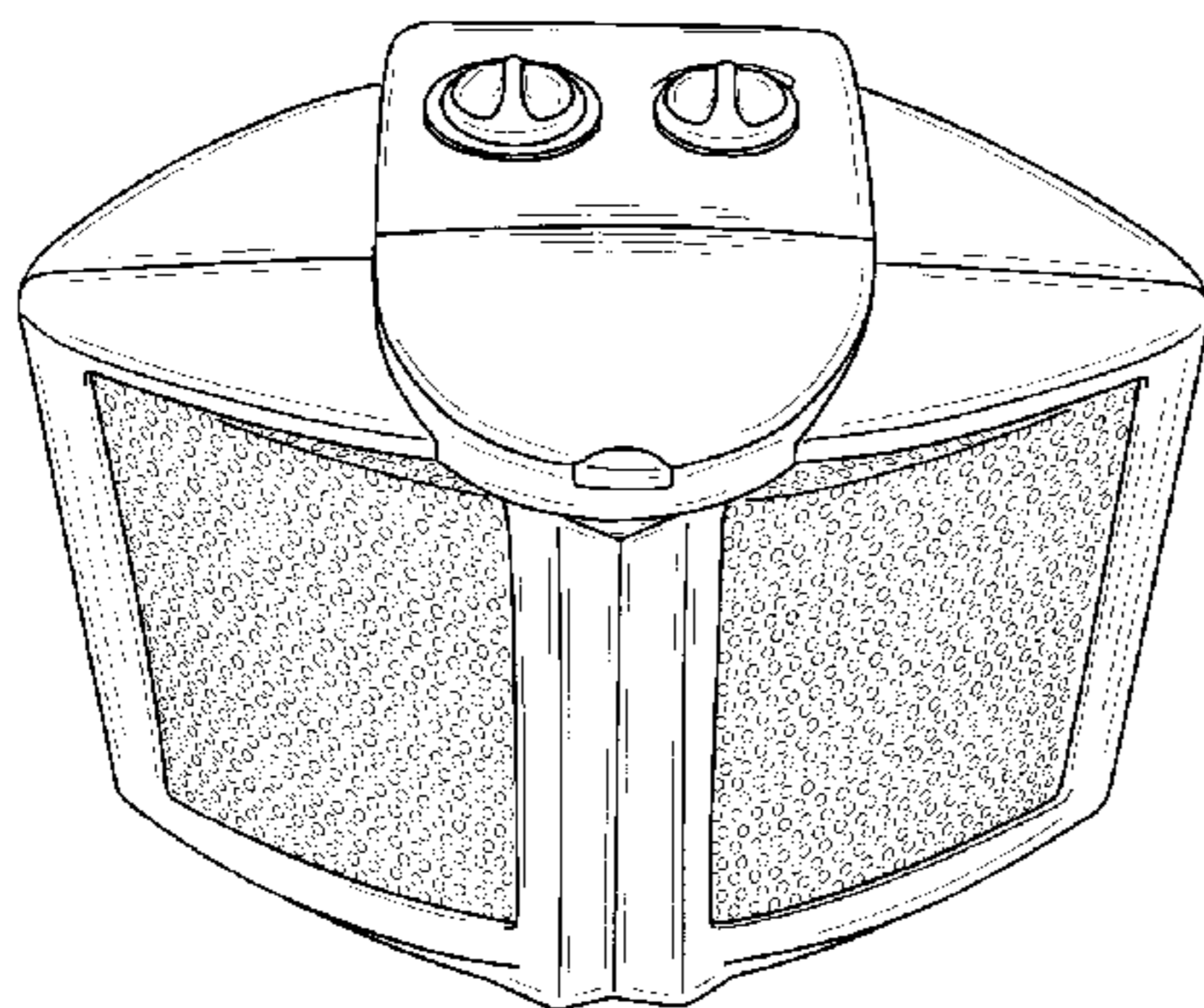
FIG. 2 shows a left side perspective view of the portable electric heater shown in FIG. 1, the right side view being a mirror image of the left side;

FIG. 3 shows a top plan view of the portable electric heater shown in FIG. 1; and,

FIG. 4 shows a rear perspective view of the portable electric heater shown in FIG. 1.

The bottom of the design is flat and unornamented.

**1 Claim, 4 Drawing Sheets**



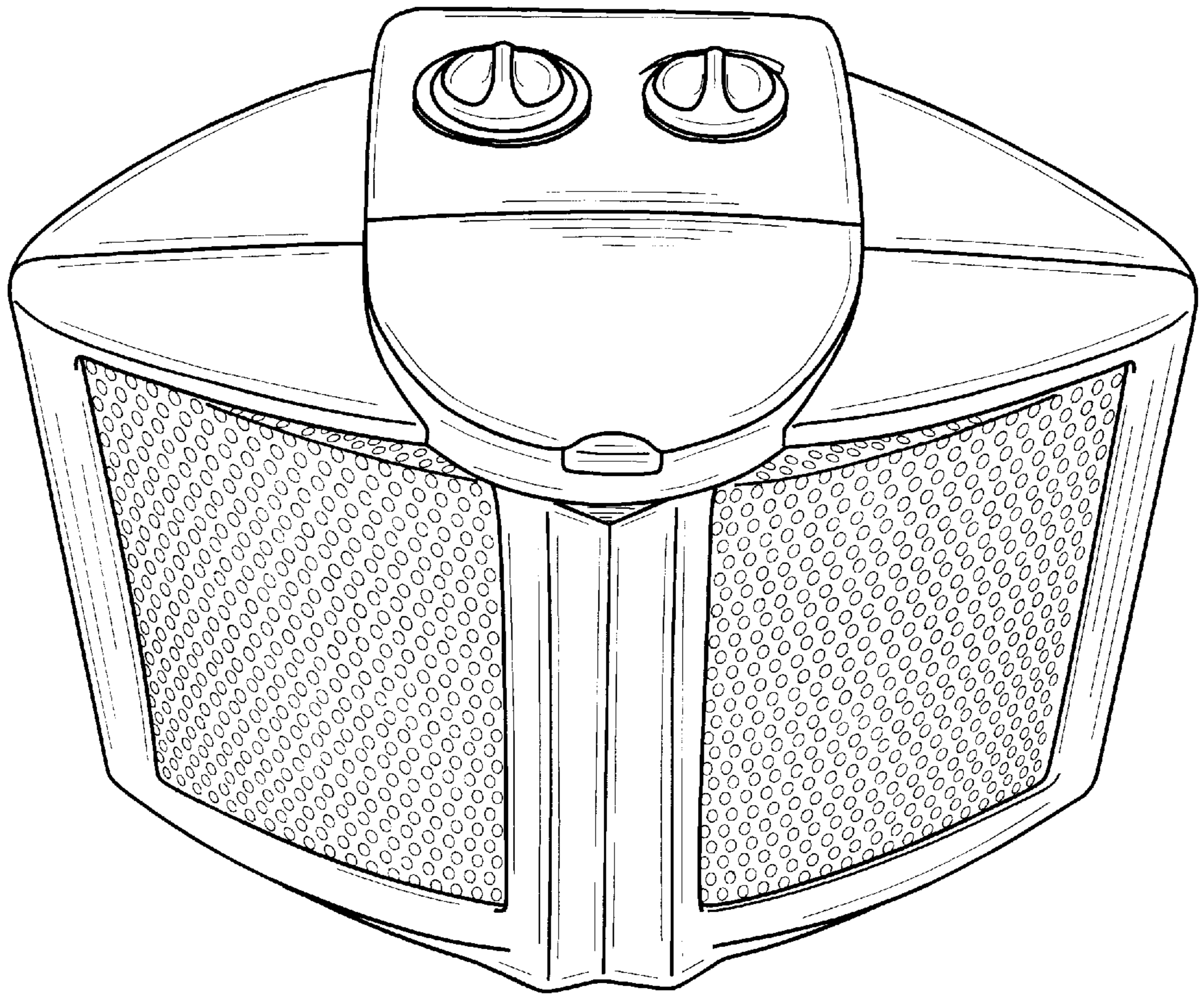


FIG. 1

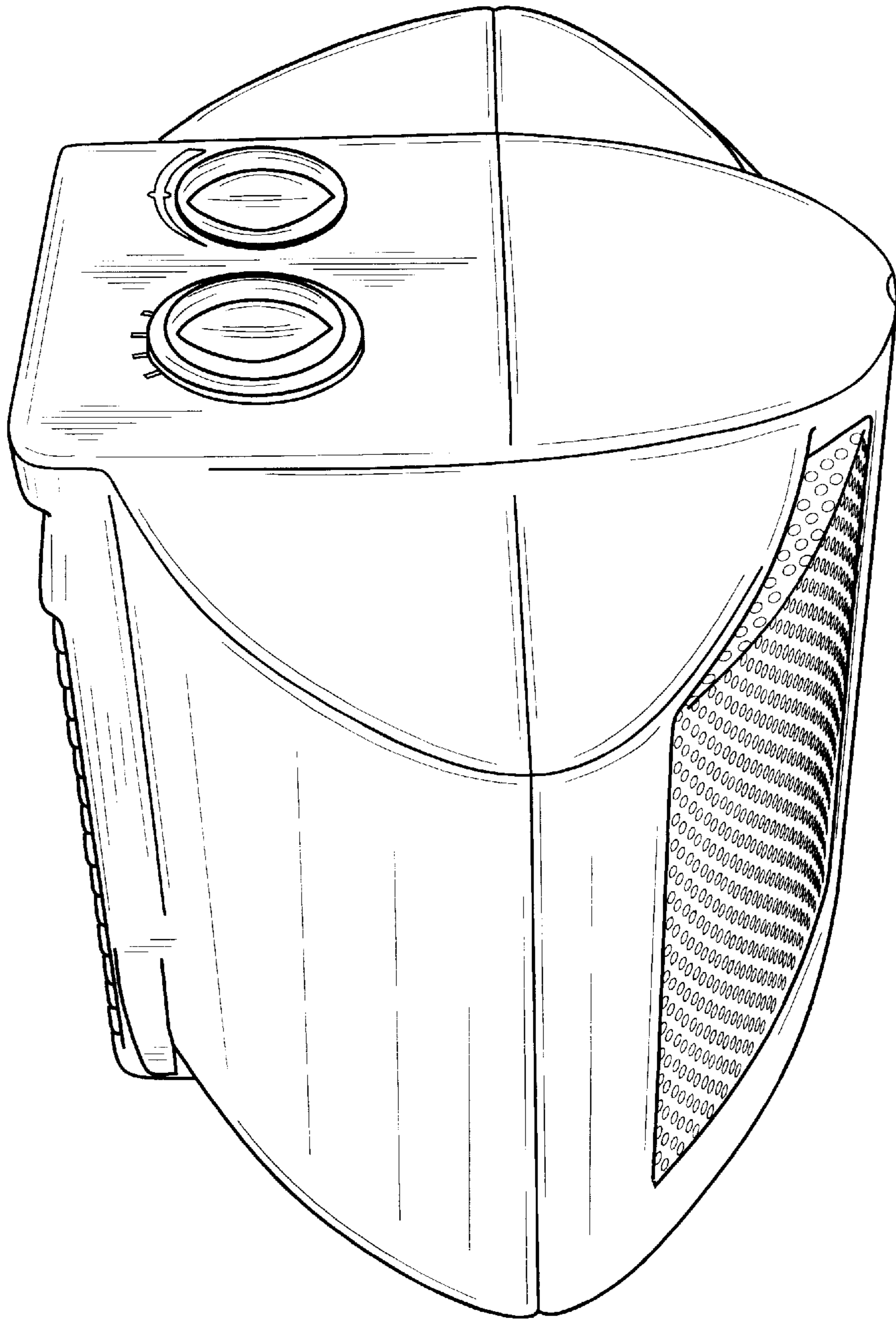


FIG. 2

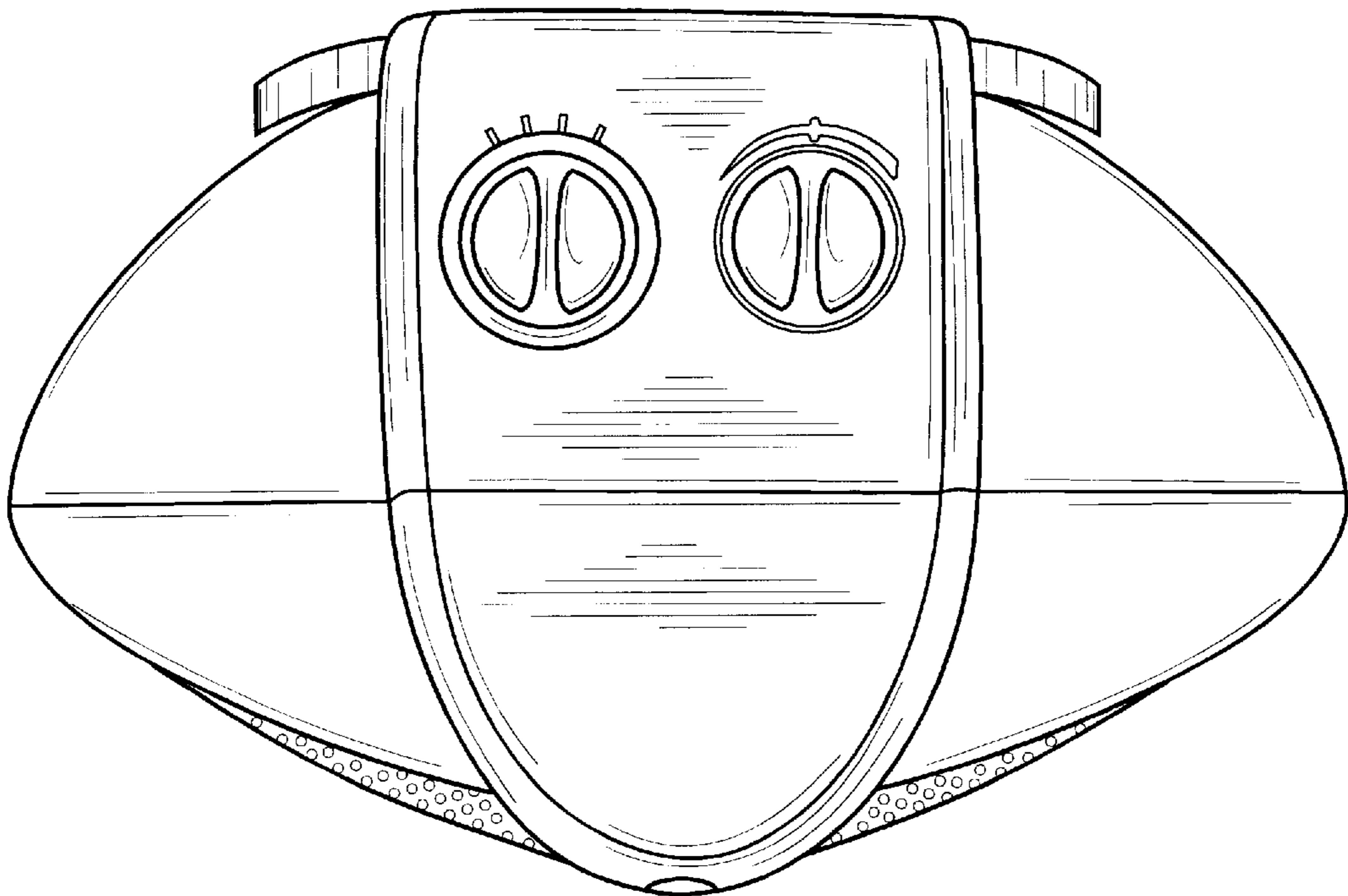


FIG. 3

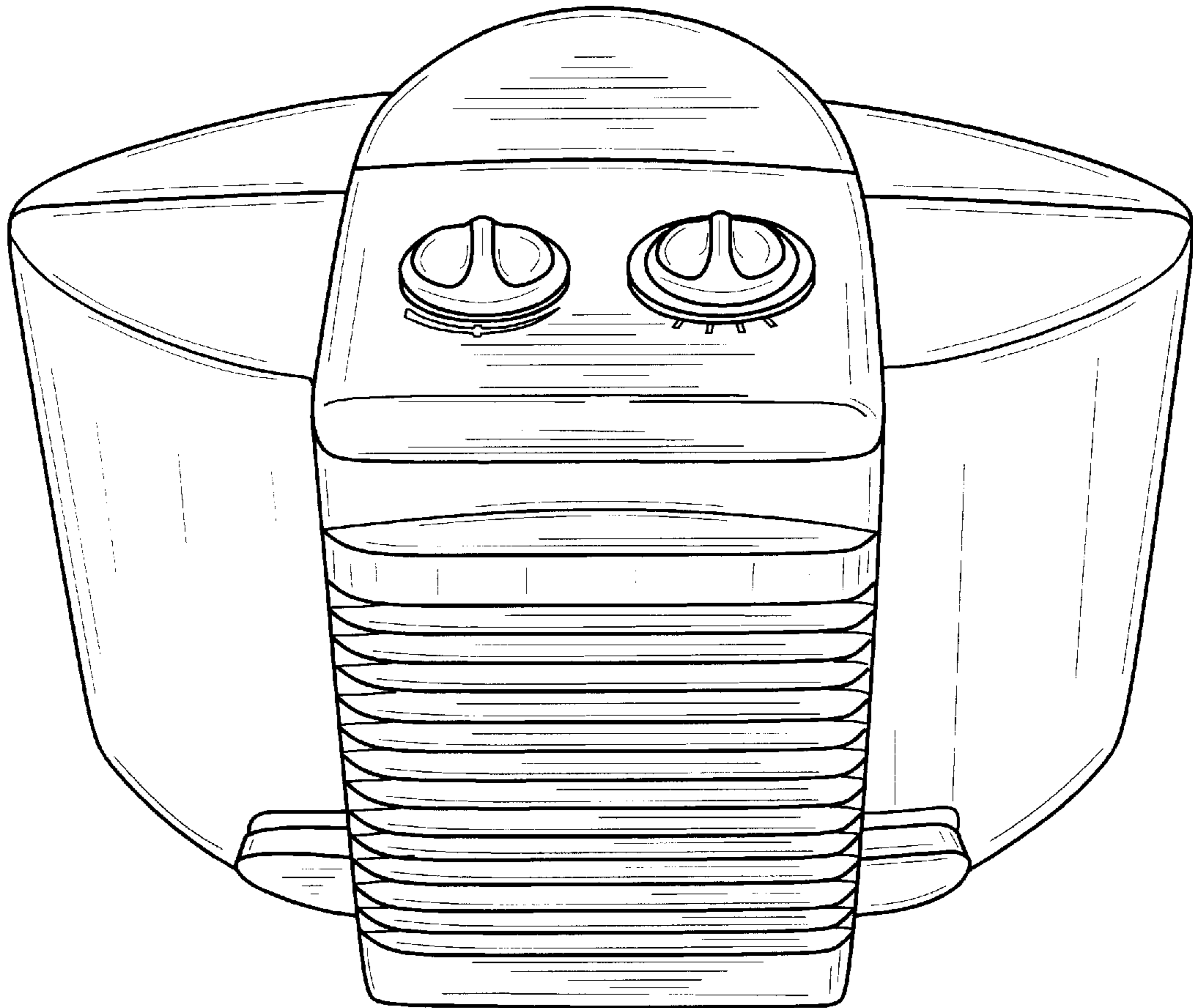


FIG. 4