



US00D401312S

United States Patent [19] Upchurch

[11] Patent Number: Des. 401,312

[45] Date of Patent: **Nov. 17, 1998

[54] COMBINED FAN AND LIGHT STRUCTURE

[76] Inventor: Leonard R. Upchurch, 10320
Cunningham Ave., Westminster, Calif.
92683

[**] Term: 14 Years

[21] Appl. No.: 81,236

[22] Filed: Dec. 24, 1997

[51] LOC (6) Cl. 23-04

[52] U.S. Cl. D23/328; D23/382; D23/385;
D26/59; D26/87

[58] Field of Search D23/381, 382,
D23/328, 385, 370; D26/59, 87, 92; 362/96,
253, 234

[56] **References Cited**

U.S. PATENT DOCUMENTS

D. 276,550 11/1984 Kouno et al. D23/382

Primary Examiner—Lisa Lichtenstein

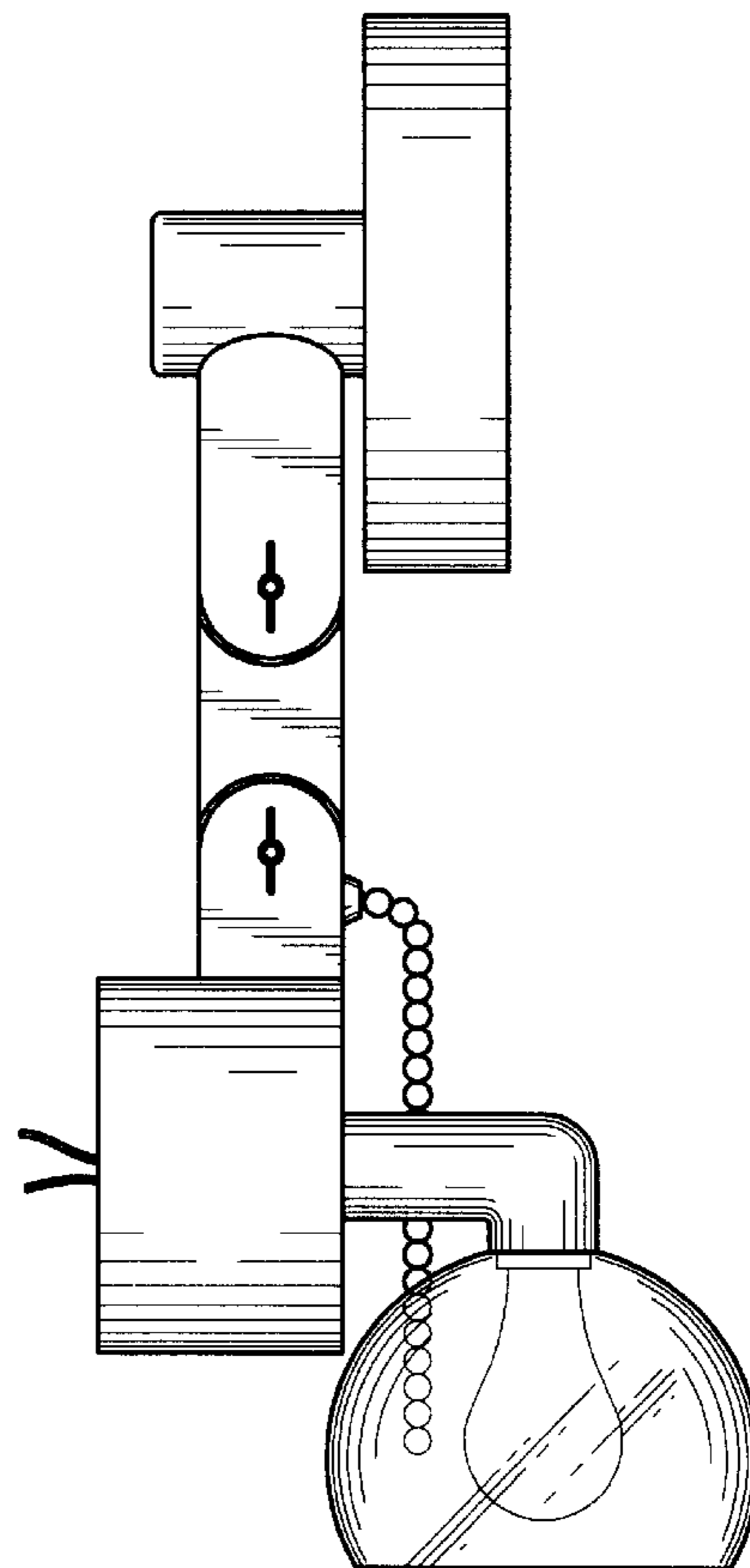
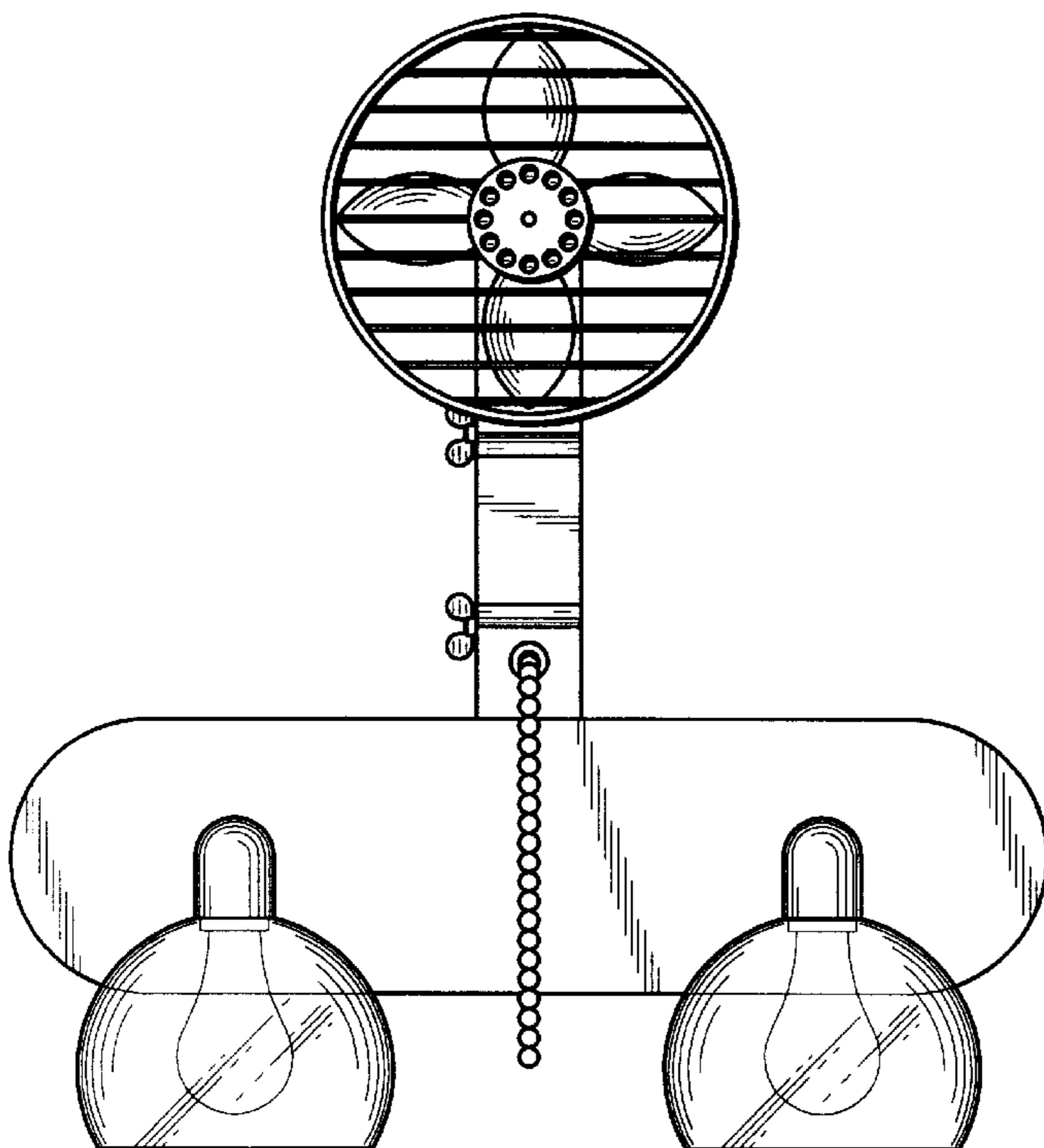
[57] **CLAIM**

The ornamental design for a combined fan and light structure, as shown.

DESCRIPTION

FIG. 1 is a front elevational view of the combined fan and light structure of the present invention; FIG. 2 is a back elevational view of the combined fan and light structure of FIG. 1; FIG. 3 is an enlarged left side elevational view of the combined fan and light structure of FIG. 1; FIG. 4 is an enlarged right side elevational view of the combined fan and light structure of FIG. 1; FIG. 5 is an enlarged top plan view of the combined fan and light structure of FIG. 1; and, FIG. 6 is an enlarged bottom plan view of the combined fan and light structure of FIG. 1.

1 Claim, 3 Drawing Sheets



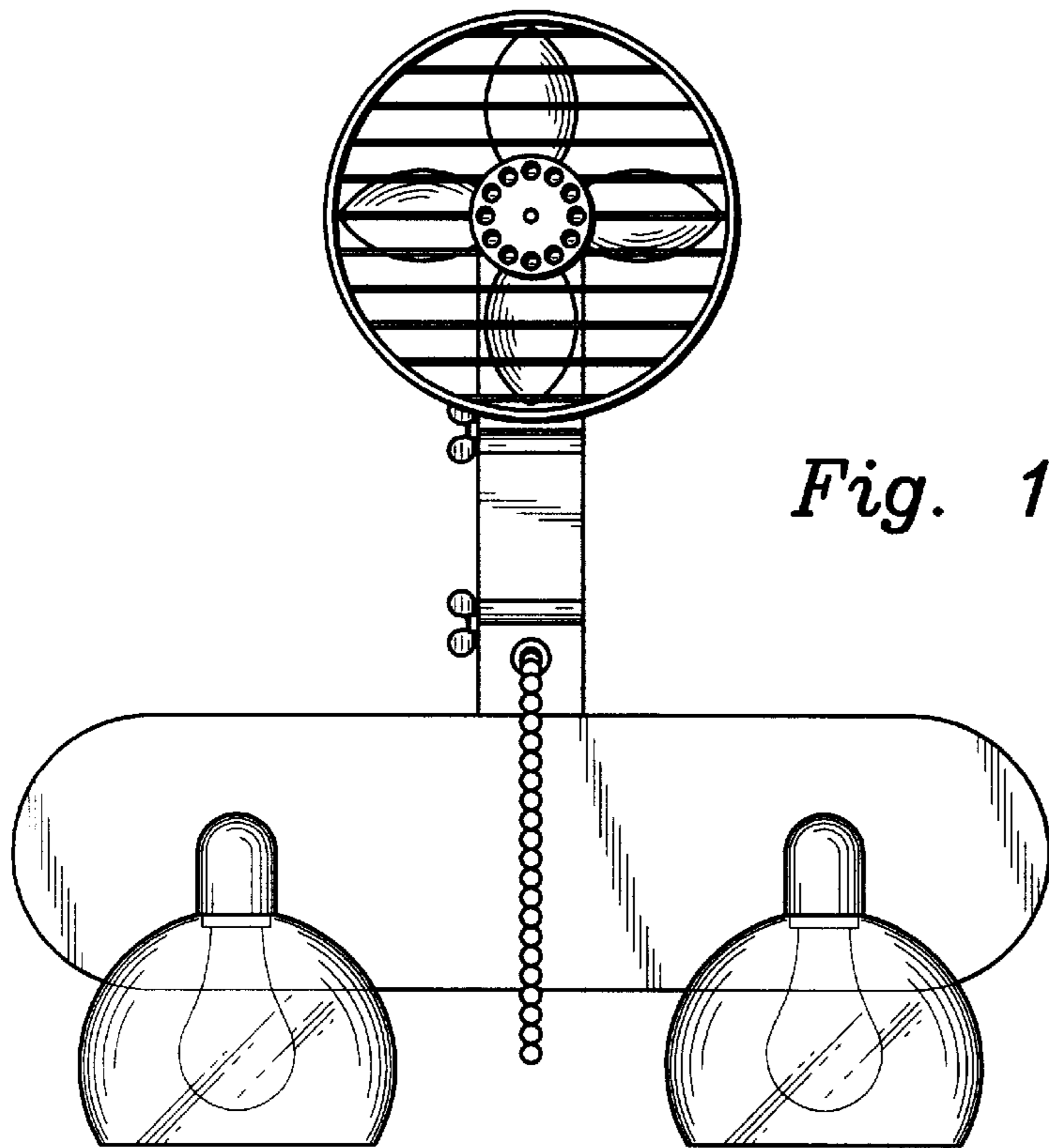


Fig. 1

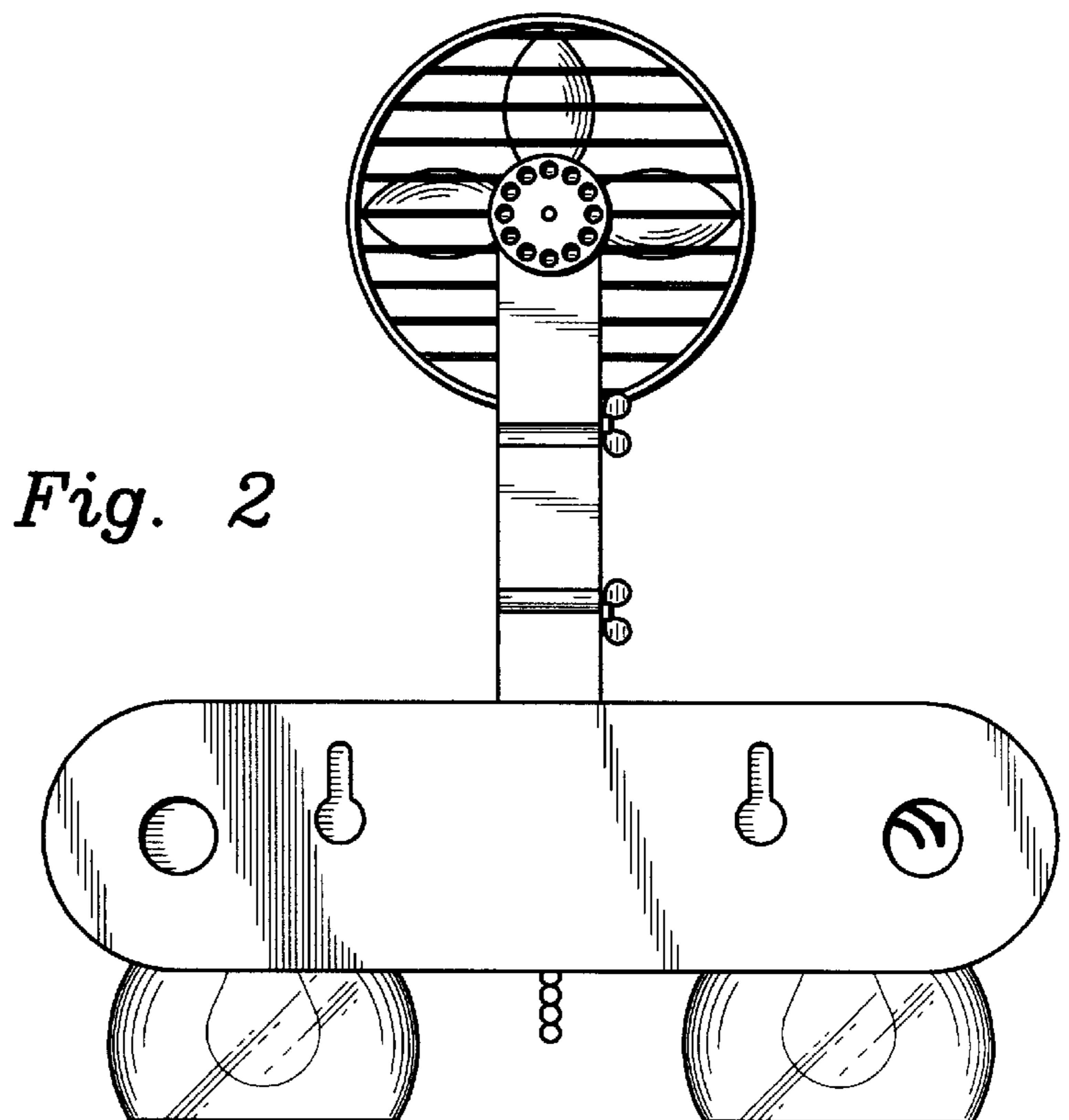


Fig. 2

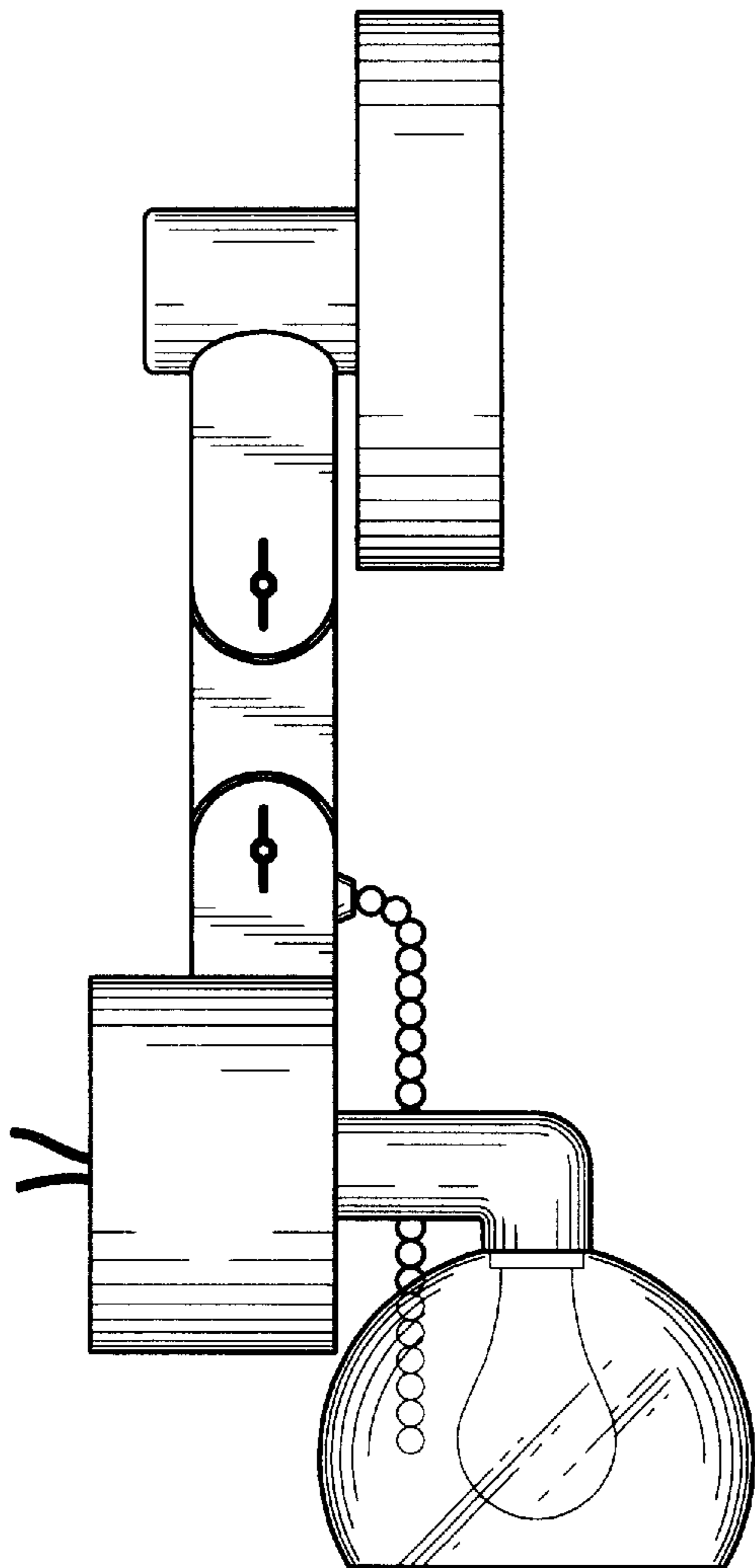


Fig. 3

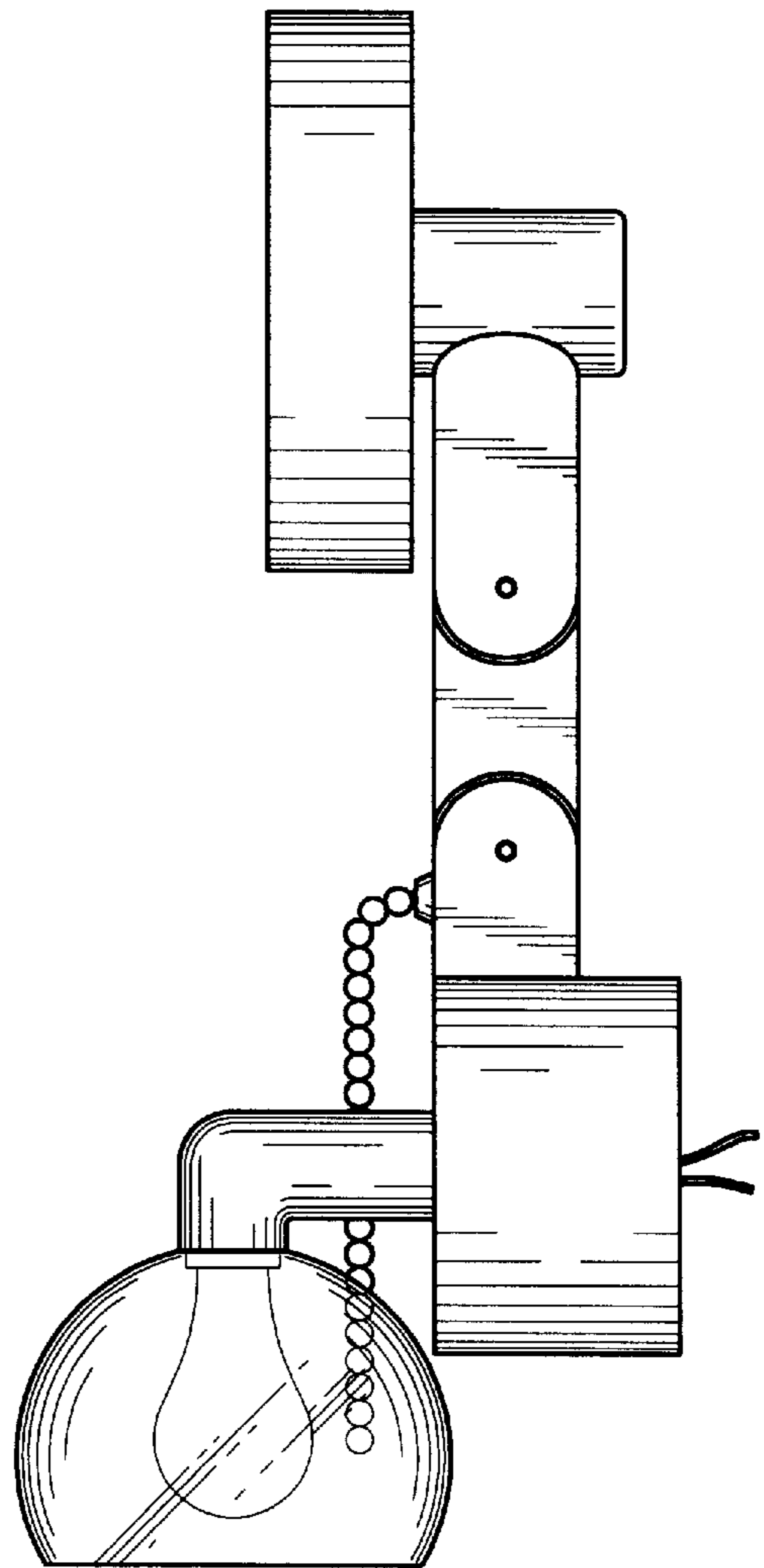


Fig. 4

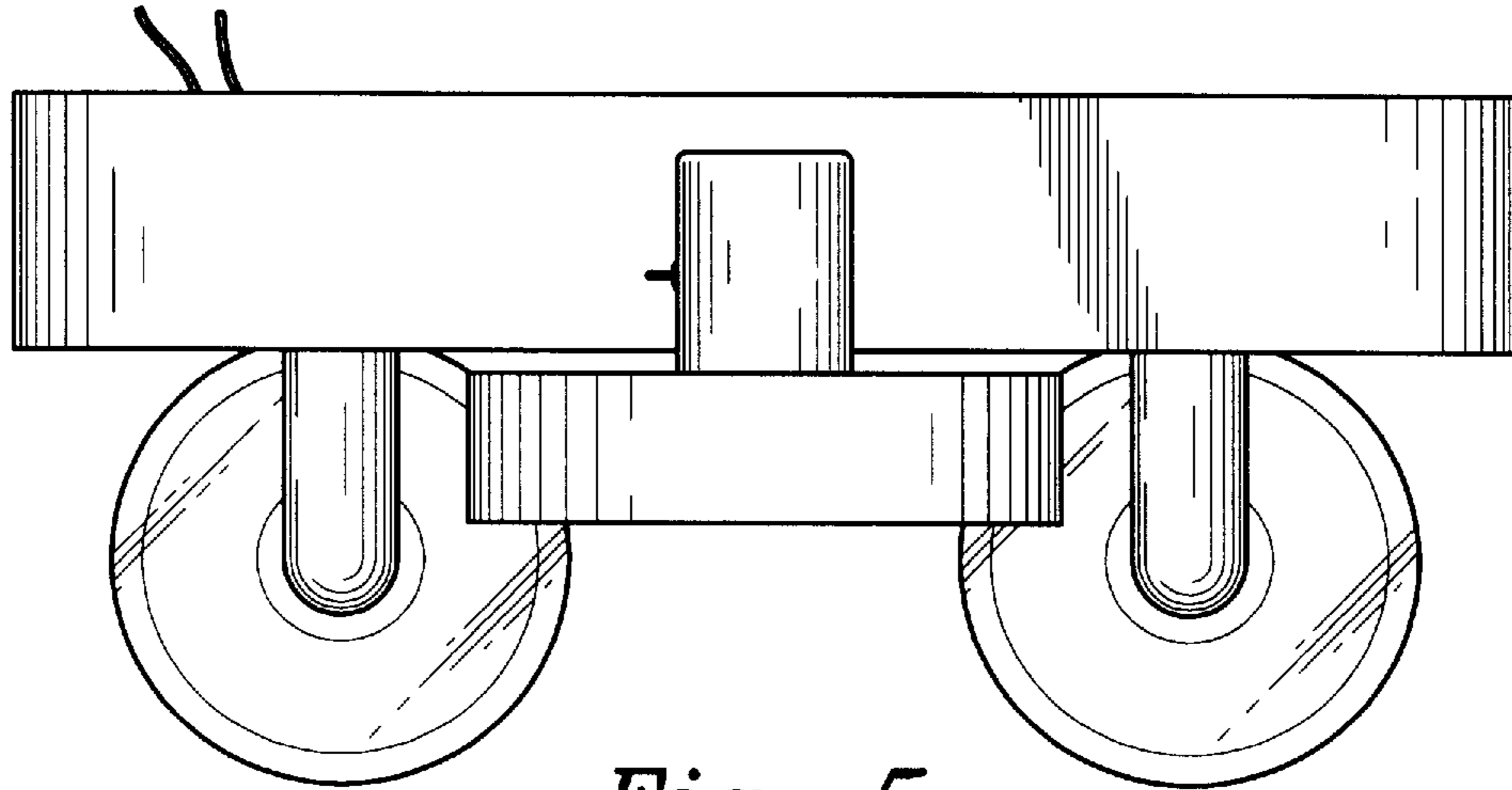


Fig. 5

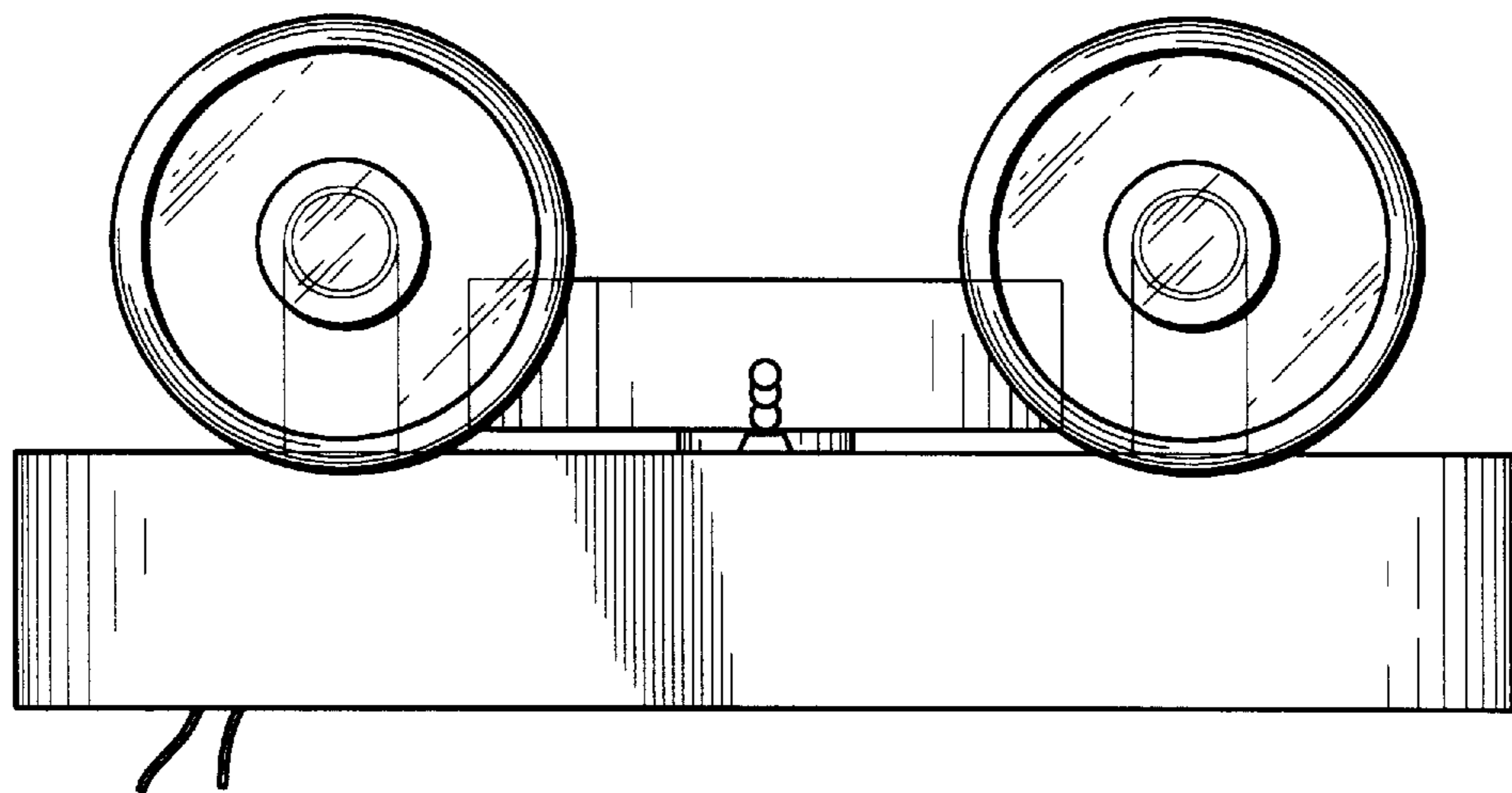


Fig. 6