



US00D401311S

United States Patent [19] De Winter

[11] **Patent Number: Des. 401,311**

[45] **Date of Patent: **Nov. 17, 1998**

[54] **DRIP DISPENSER FOR A URINAL**

[75] Inventor: **Koen De Winter**, Beaconfield, Canada

[73] Assignee: **West Sanitation Services, Inc.**,
Torrance, Calif.

[**] Term: **14 Years**

[21] Appl. No.: **61,024**

[22] Filed: **Oct. 15, 1996**

[51] **LOC (6) Cl.** **23-02**

[52] **U.S. Cl.** **D23/303**

[58] **Field of Search** D23/303-313,
D23/259-269; 4/222, 232, 309, DIG. 5,
222.1, 261, 265, 266, 301, 310

[56] **References Cited**

U.S. PATENT DOCUMENTS

D. 329,893 9/1992 Luedtke et al. 4/310
D. 332,302 1/1993 Brown D23/261

3,824,633 7/1974 Van Ulshakis 4/222 X
5,165,119 11/1992 Yamato 4/309
5,313,672 5/1994 Luedtke et al. D23/301
5,365,616 11/1994 Mordd 4/309
5,489,415 2/1996 Von Ulahdkis et al. 4/222 X

Primary Examiner—Louis S. Zarfes
Assistant Examiner—Eric Watterson
Attorney, Agent, or Firm—Darby & Darby

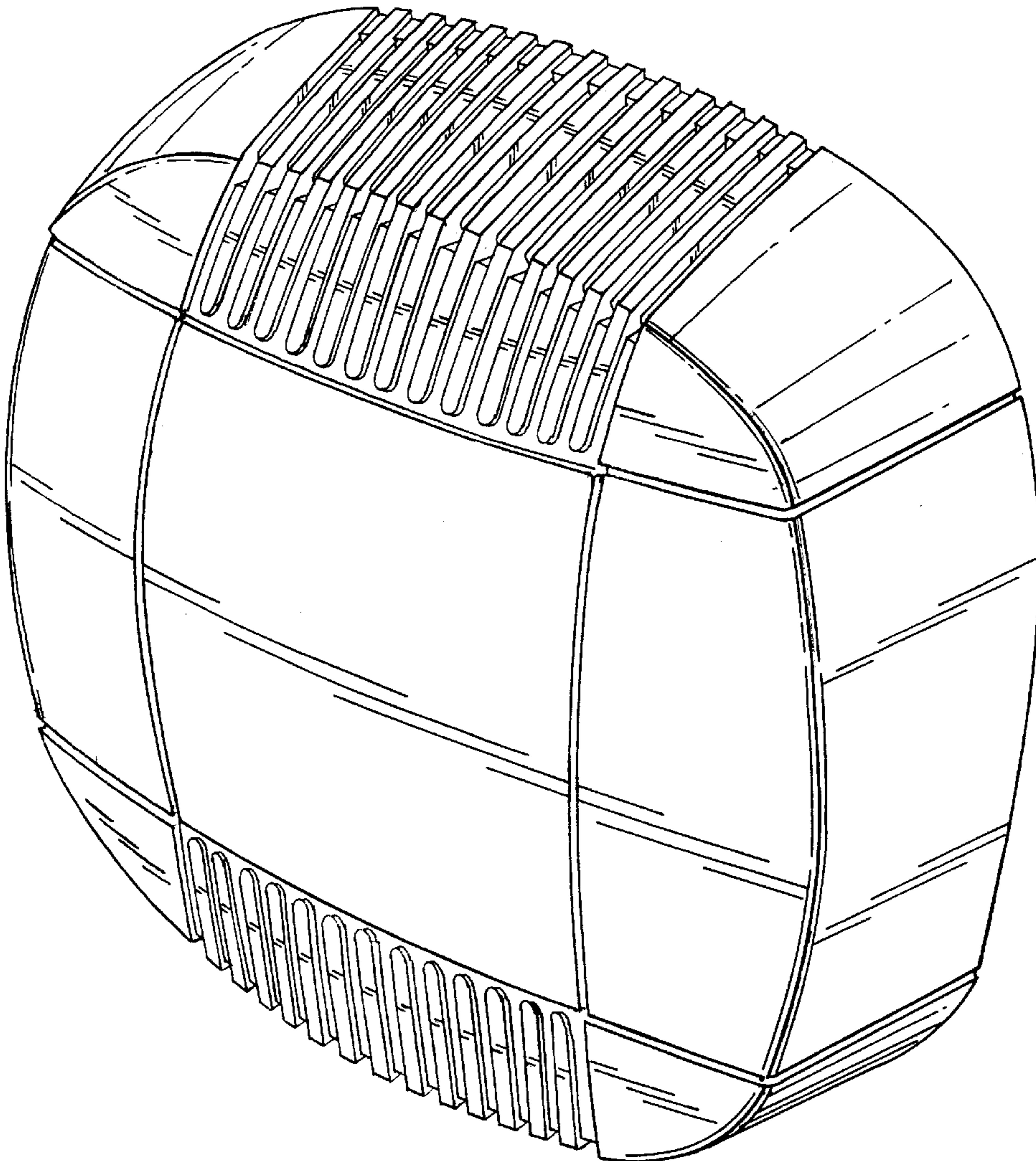
[57] **CLAIM**

The ornamental design for a drip dispenser for a urinal, as shown and described.

DESCRIPTION

FIG. 1 is a front perspective view of my new design;
FIG. 2 is a front elevation view of my new design;
FIG. 3 is a side elevation view of my new design, the
opposite side being a mirror image;
FIG. 4 is a top plan view of my new design;
FIG. 5 is a bottom plan view of my new design; and,
FIG. 6 is a rear elevation view of my new design.

1 Claim, 5 Drawing Sheets



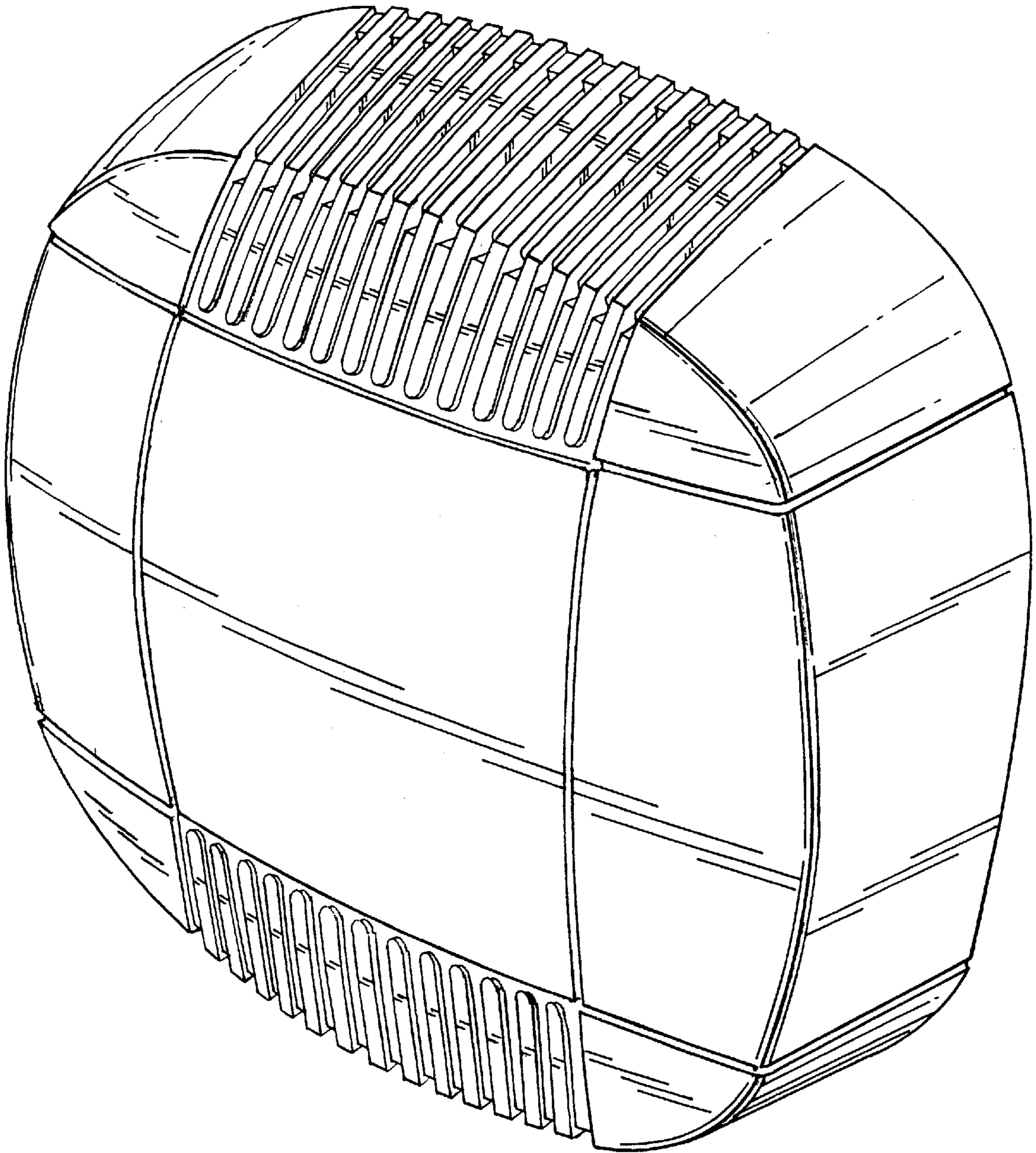


Fig. 1

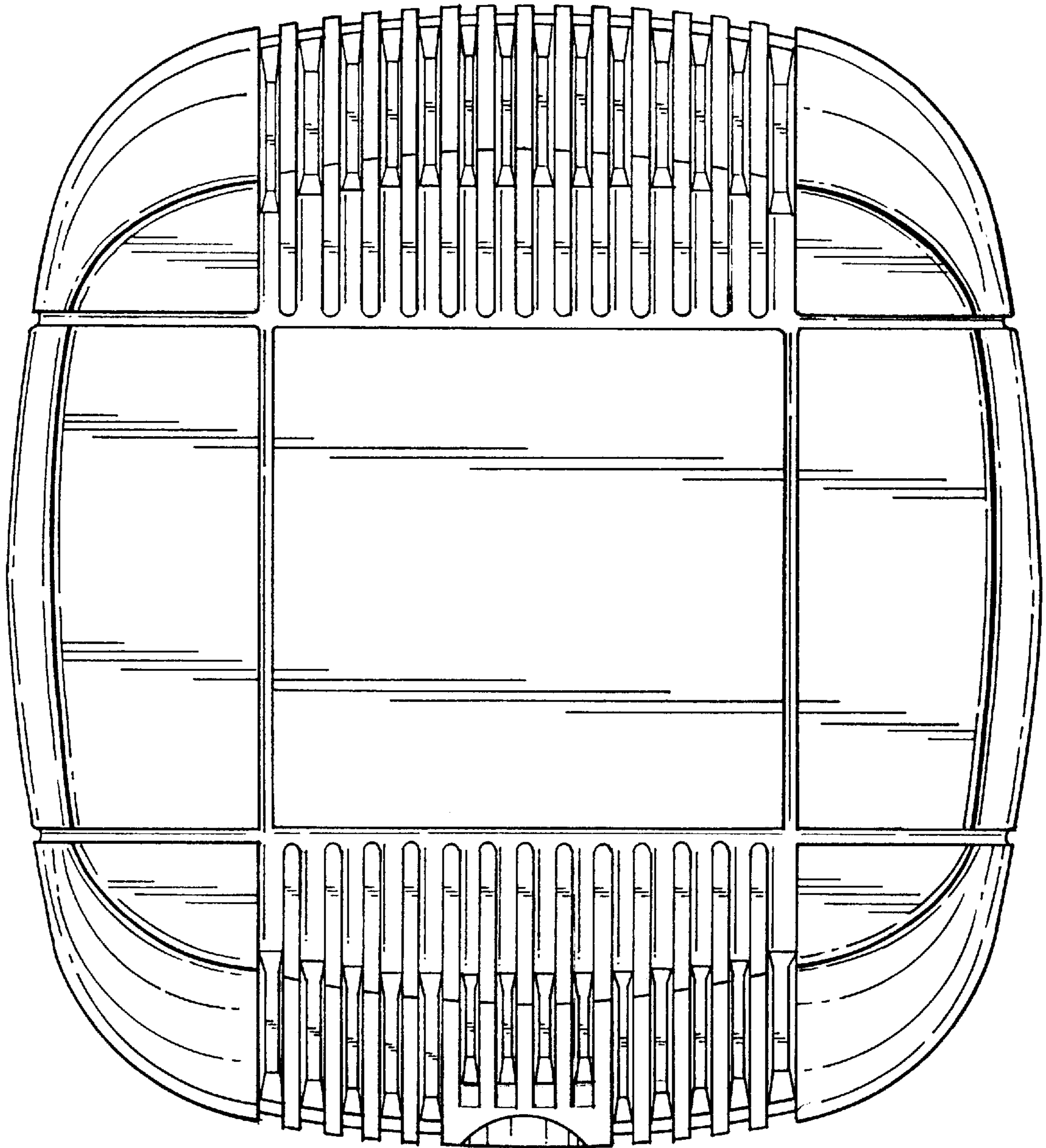


Fig. 2

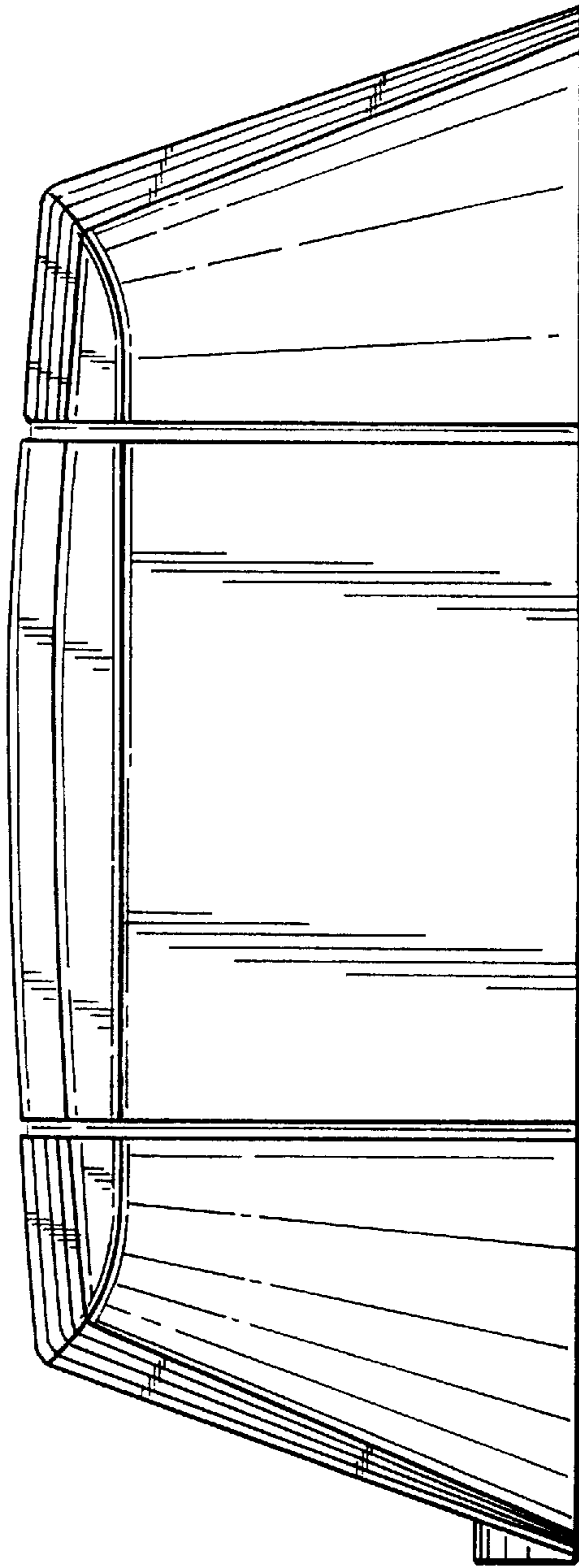


Fig. 3

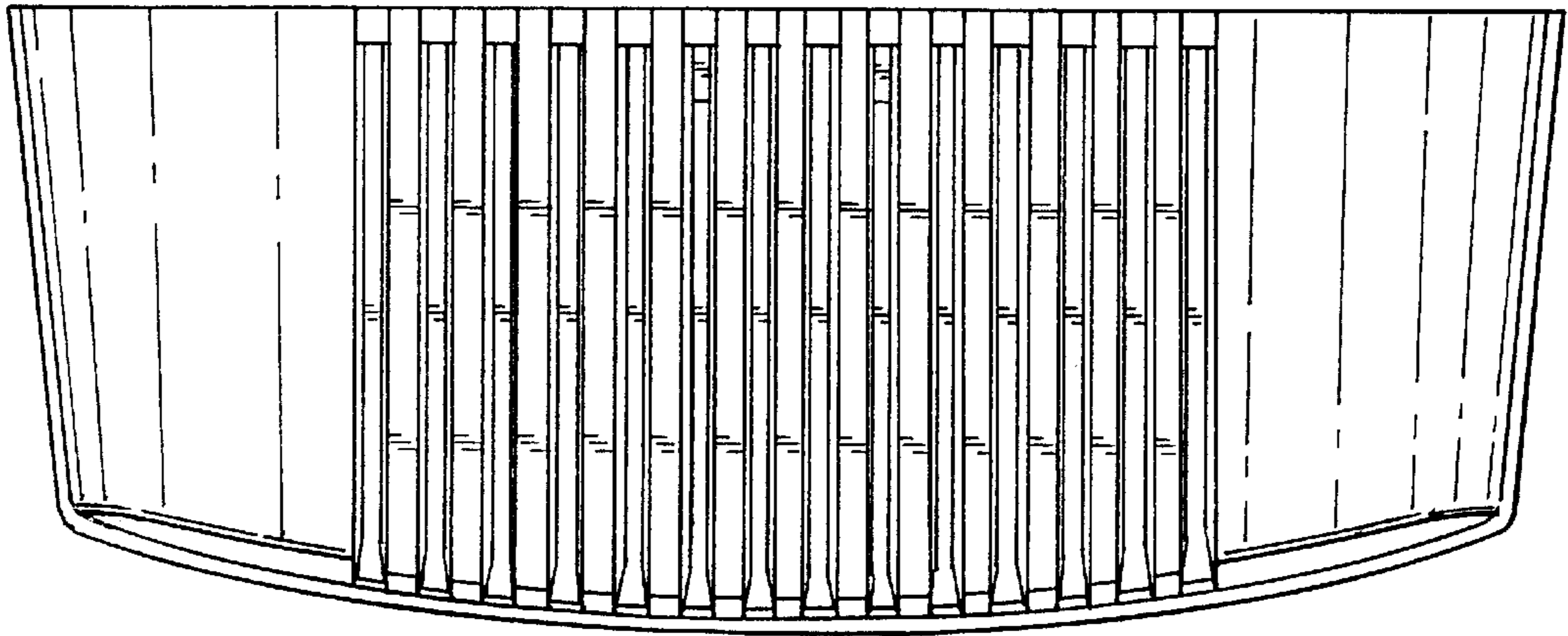


Fig. 4

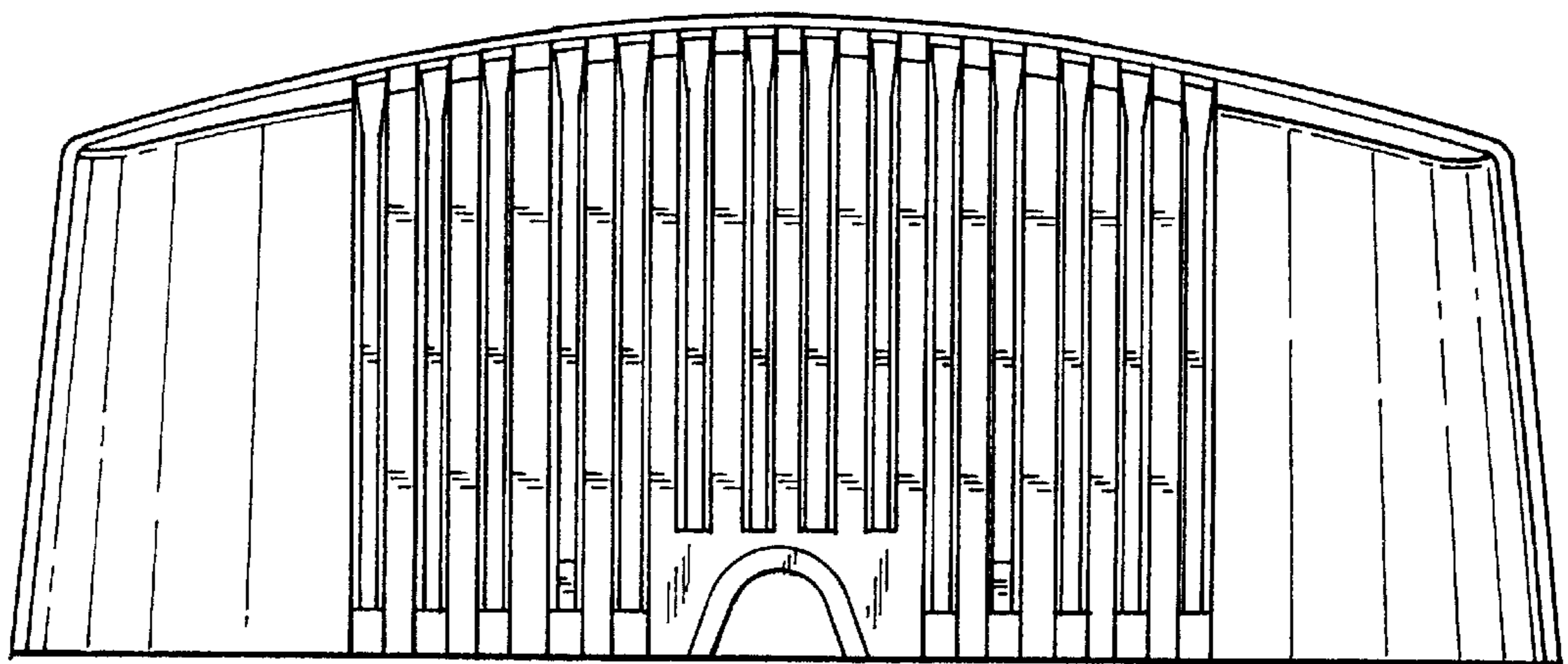


Fig. 5

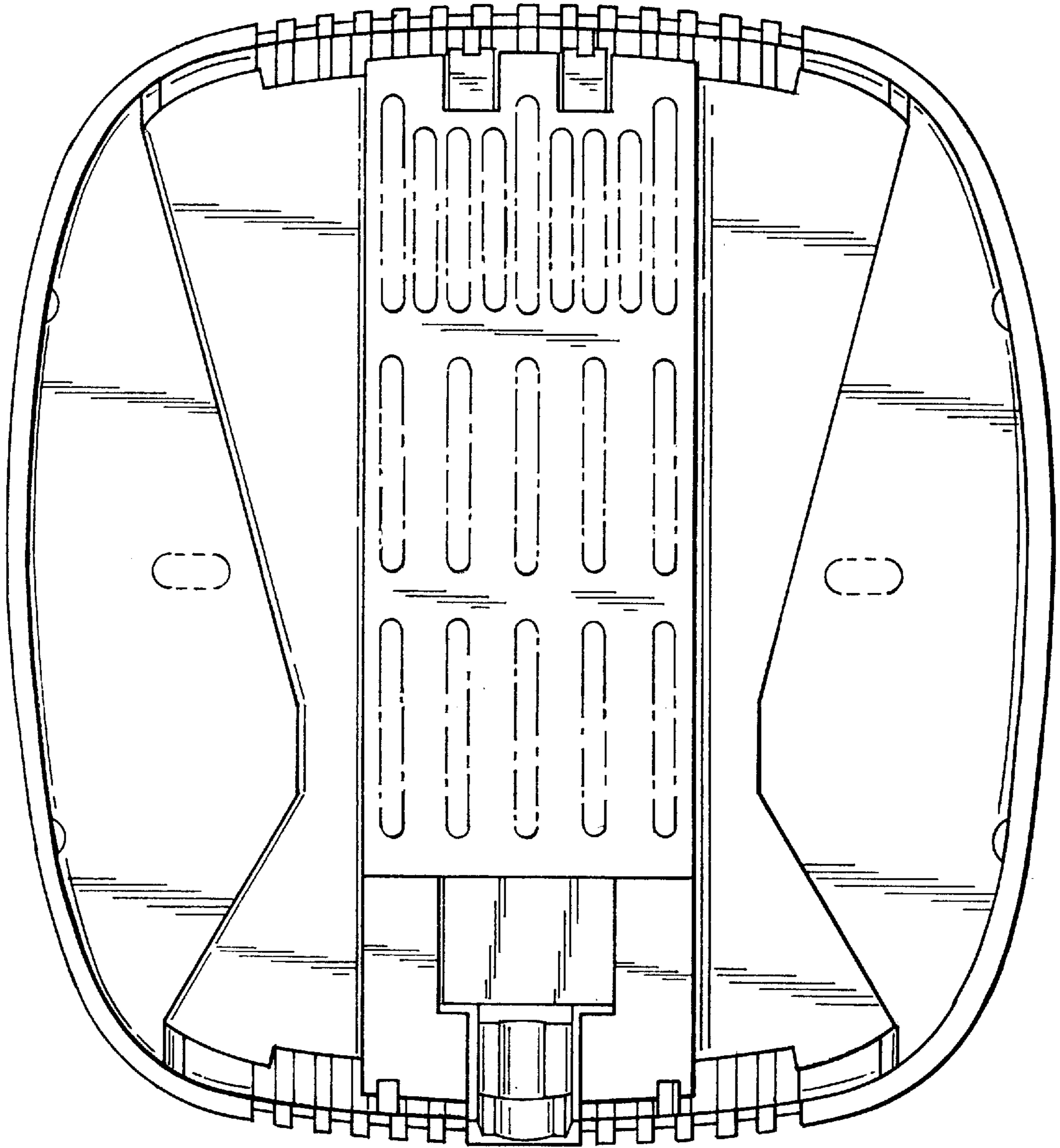


Fig. 6