



US00D401305S

United States Patent [19]
Pettesch

[11] **Patent Number: Des. 401,305**
[45] **Date of Patent: **Nov. 17, 1998**

[54] **SPILL CONTAINER FOR ABOVE GROUND STORAGE TANKS**

[75] Inventor: **Martin C. Pettesch**, Cranford, N.J.

[73] Assignee: **Universal Valve Co., Inc.**, Elizabeth, N.J.

[**] Term: **14 Years**

[21] Appl. No.: **69,593**

[22] Filed: **Apr. 30, 1997**

Related U.S. Application Data

[63] Continuation-in-part of Ser. No. 632,901, Apr. 16, 1996, Pat. No. 5,687,871.

[51] **LOC (6) Cl. 23-01**

[52] **U.S. Cl. D23/202**

[58] **Field of Search D23/200, 206, D23/202, 205, 204; 220/4.12, 565; 141/86, 88**

[56] **References Cited**

U.S. PATENT DOCUMENTS

262,127	8/1882	Rudy et al. .	
D. 343,887	2/1994	Shed et al.	D23/202
D. 358,851	5/1995	Daniels	D14/100
D. 360,198	7/1995	Gioscia et al.	D14/109
1,111,587	9/1914	Iversen .	
3,504,787	4/1970	Brockway	206/12

4,807,675	2/1989	Sharp	141/86
4,842,163	6/1989	Bravo	222/40
4,986,436	1/1991	Bambacigno et al.	141/86
5,101,868	4/1992	Balch	141/86
5,301,722	4/1994	Todd et al.	141/86
5,307,389	4/1994	Meneely et al.	376/272
5,339,872	8/1994	Marino	141/86
5,381,923	1/1995	O'Dea	220/565
5,687,871	11/1997	Pettesch	220/565

Primary Examiner—Alan P. Douglas
Assistant Examiner—Robin V. Taylor
Attorney, Agent, or Firm—Edward Drefus, Esq.

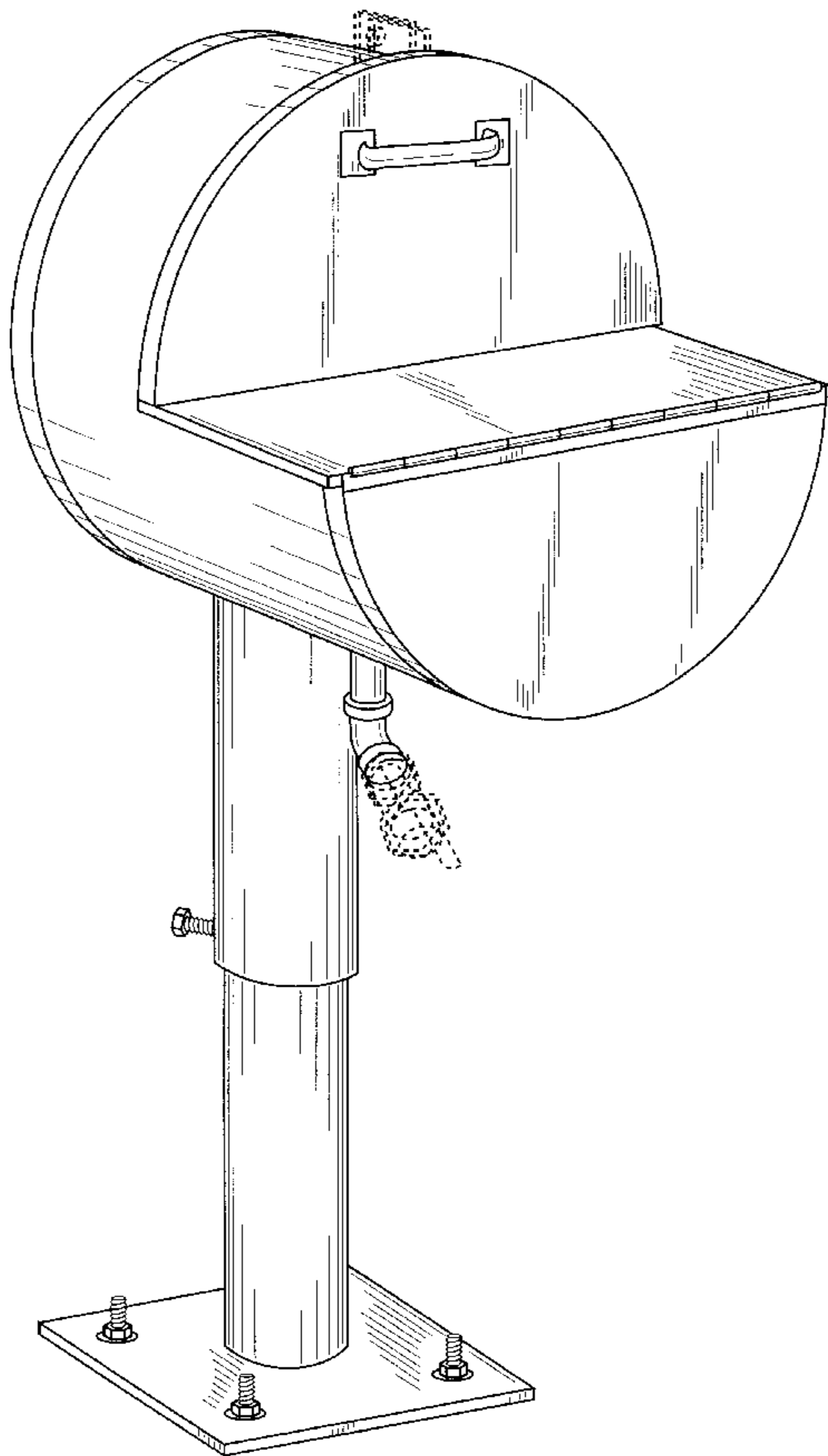
[57] **CLAIM**

The ornamental design for a spill container for above ground storage tanks, as shown and described.

DESCRIPTION

FIG. 1 is a perspective view of a spill container for above ground storage tanks showing my new design with the access door closed;
FIG. 2 is a front view thereof;
FIG. 3 is a rear view thereof;
FIG. 4 is a side view thereof;
FIG. 5 is a top view thereof;
FIG. 6 is a bottom view thereof;
FIG. 7 is a front view thereof with the access door open; and,
FIG. 8 is a side view thereof with the access door open.
The broken line showing is for illustrative purposes only and forms no part of the claimed design.

1 Claim, 8 Drawing Sheets



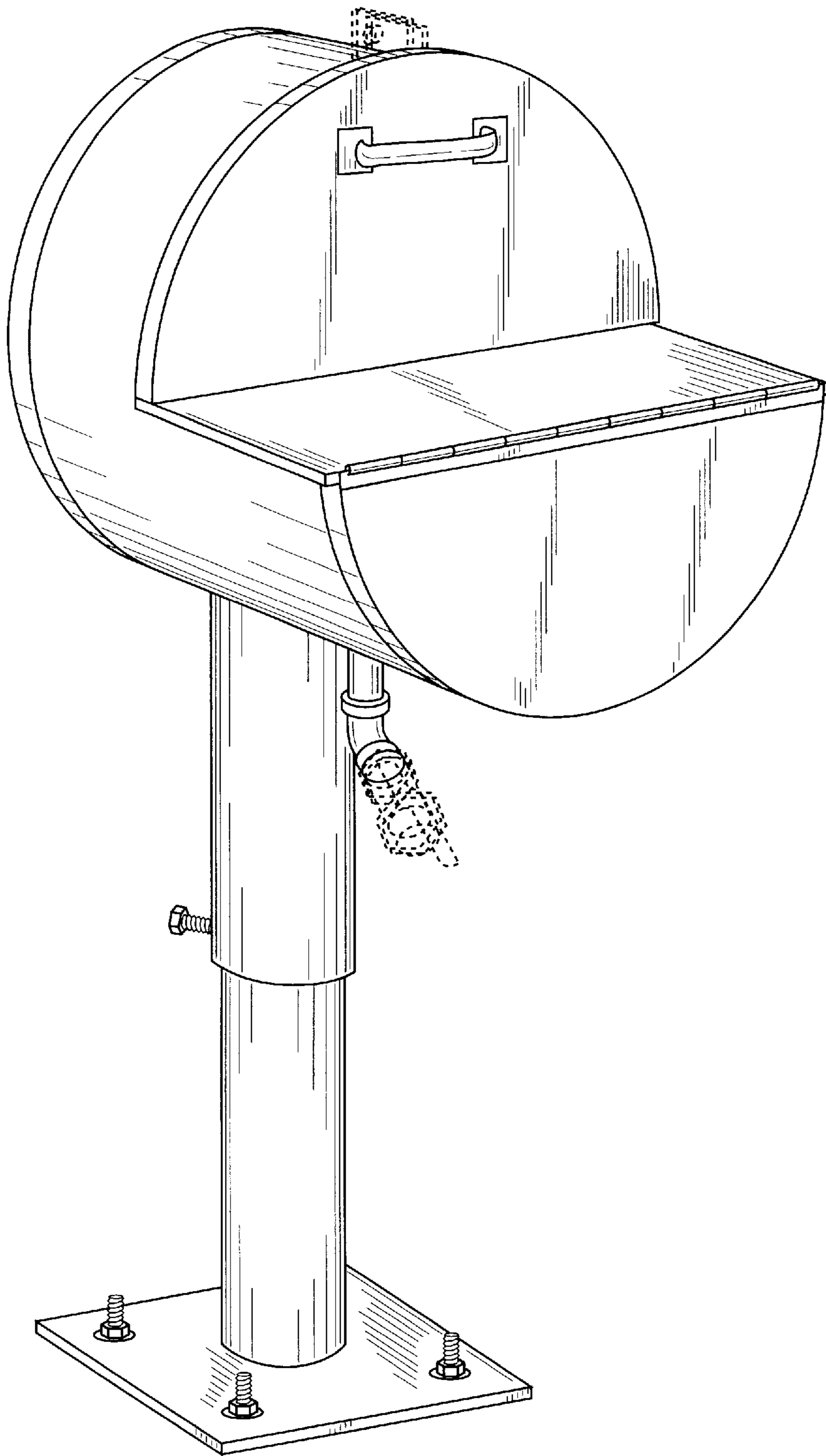


FIG. 1

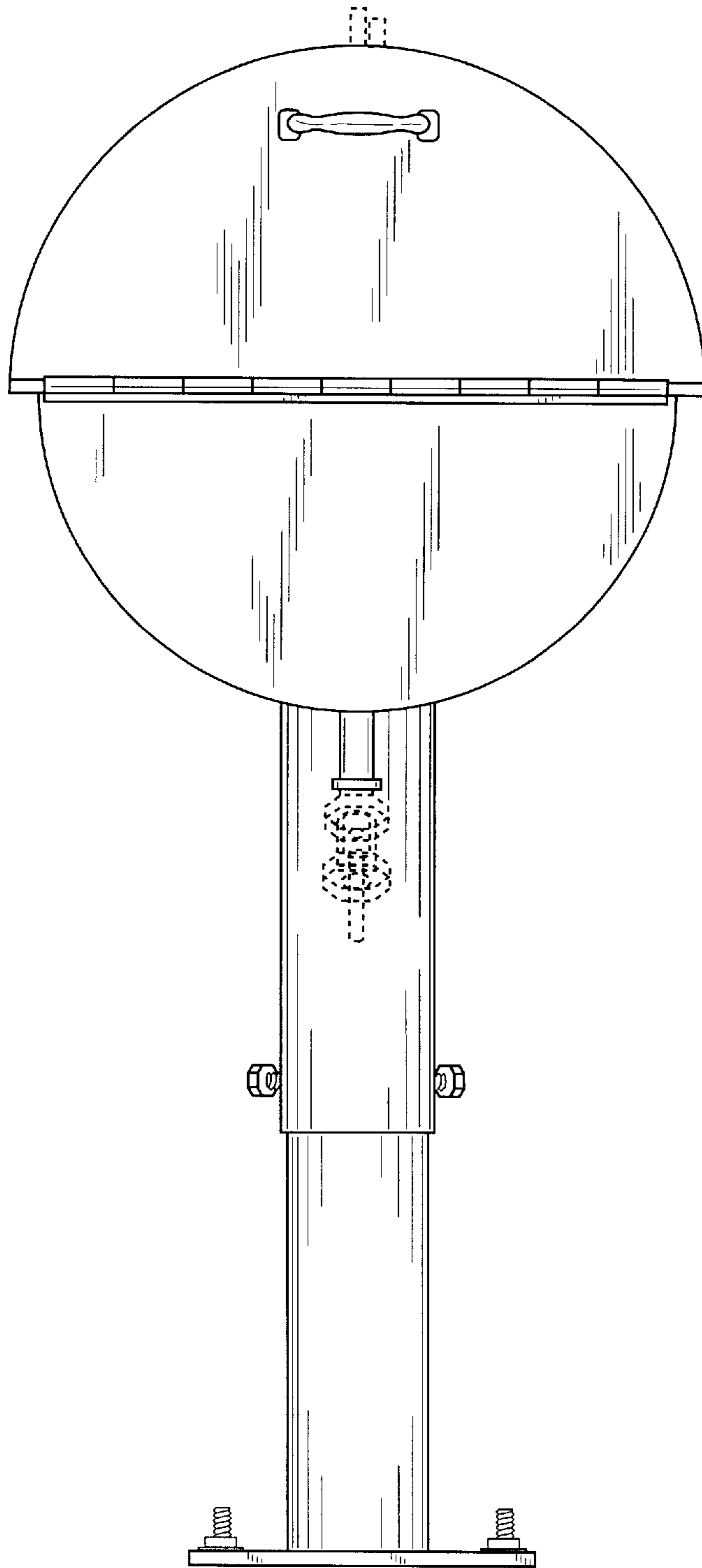


FIG. 2

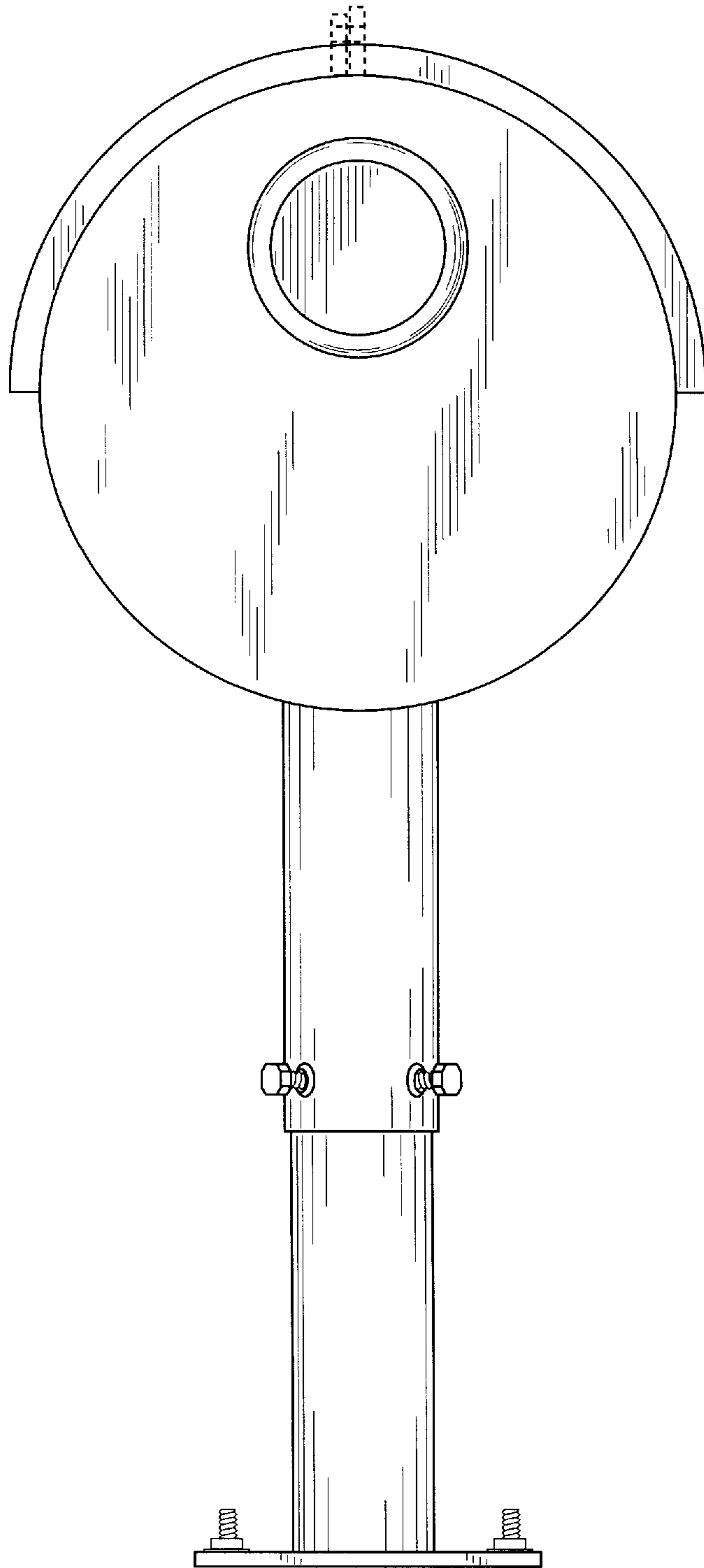


FIG. 3

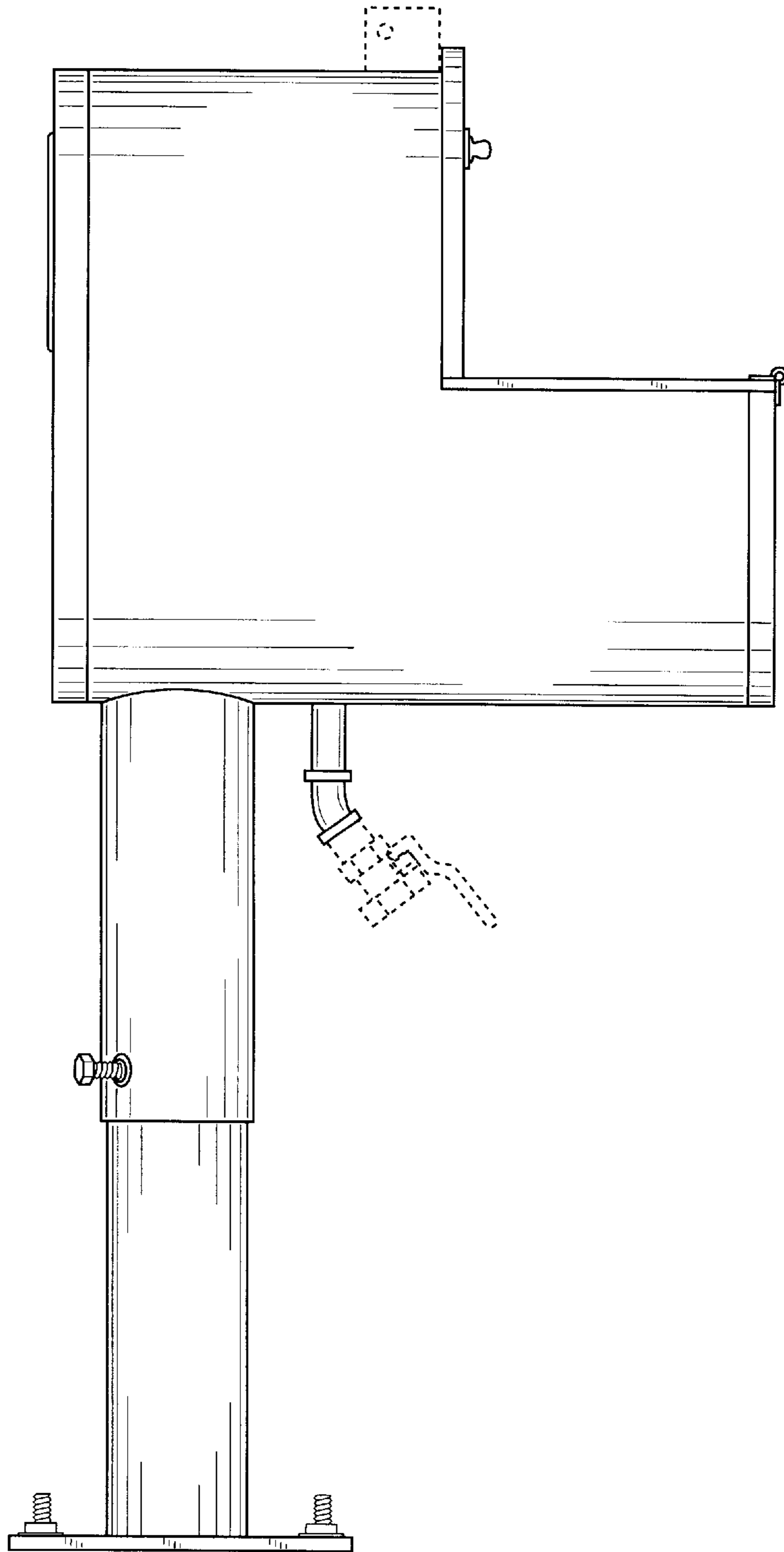


FIG. 4

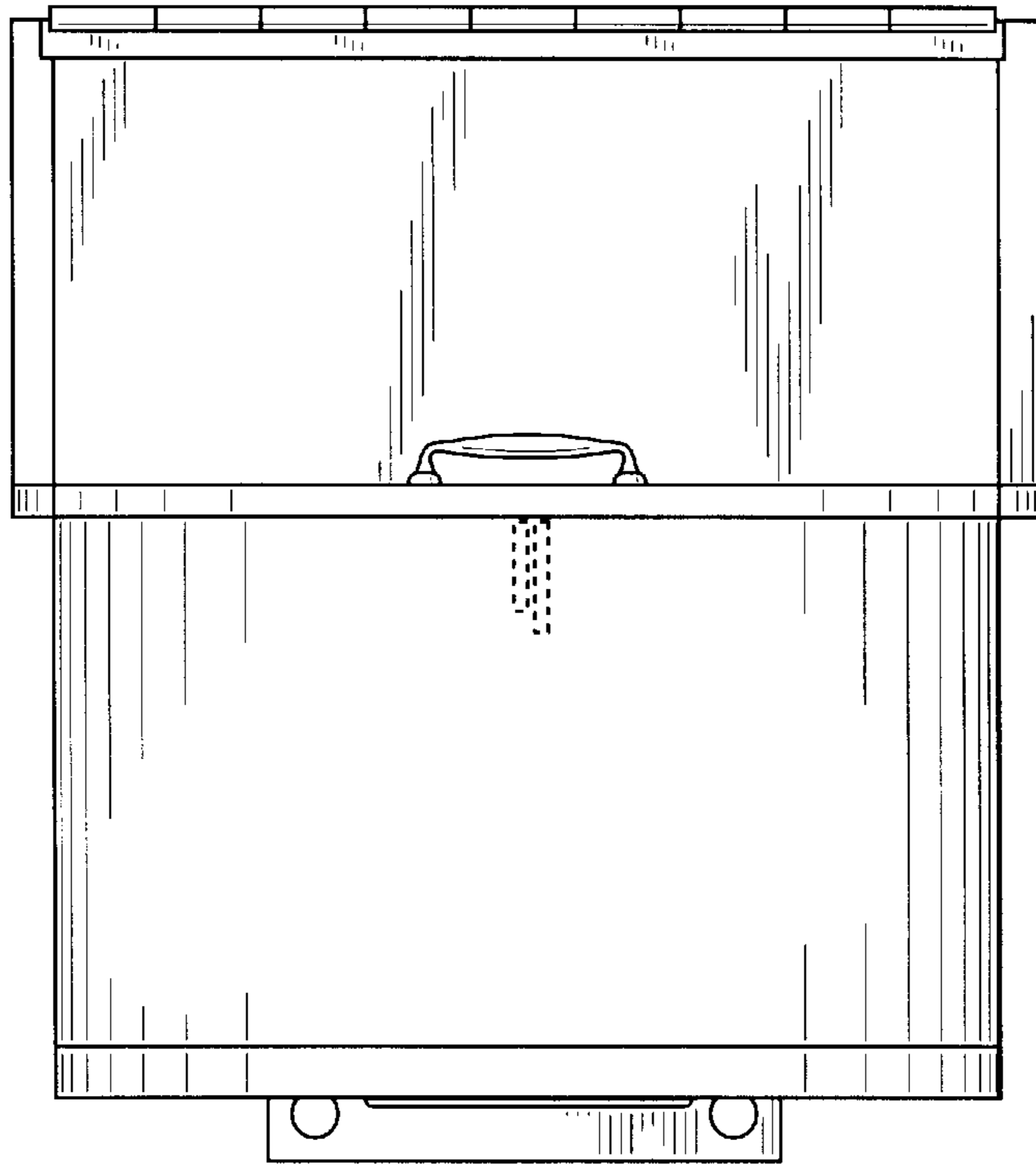


FIG. 5

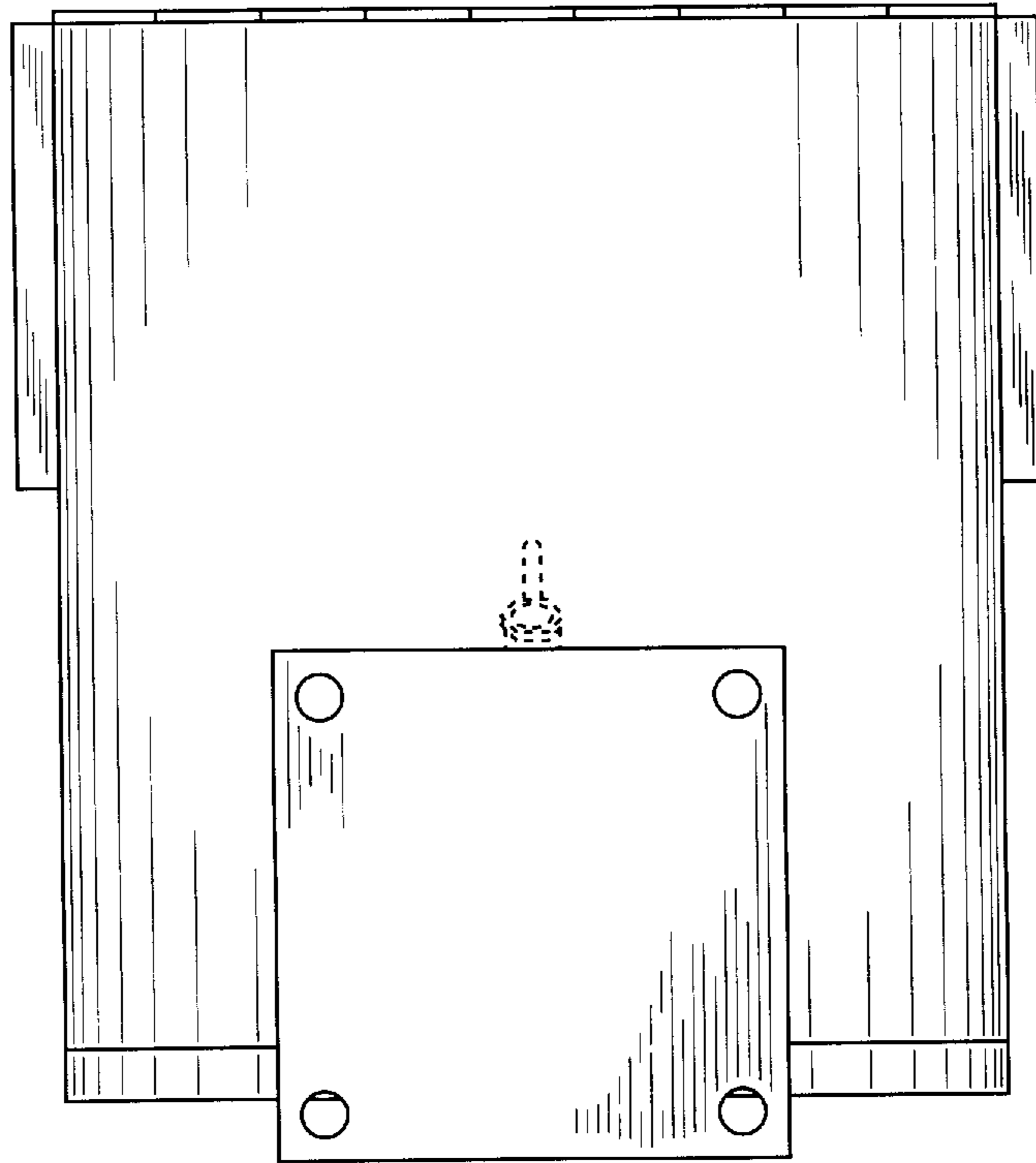


FIG. 6

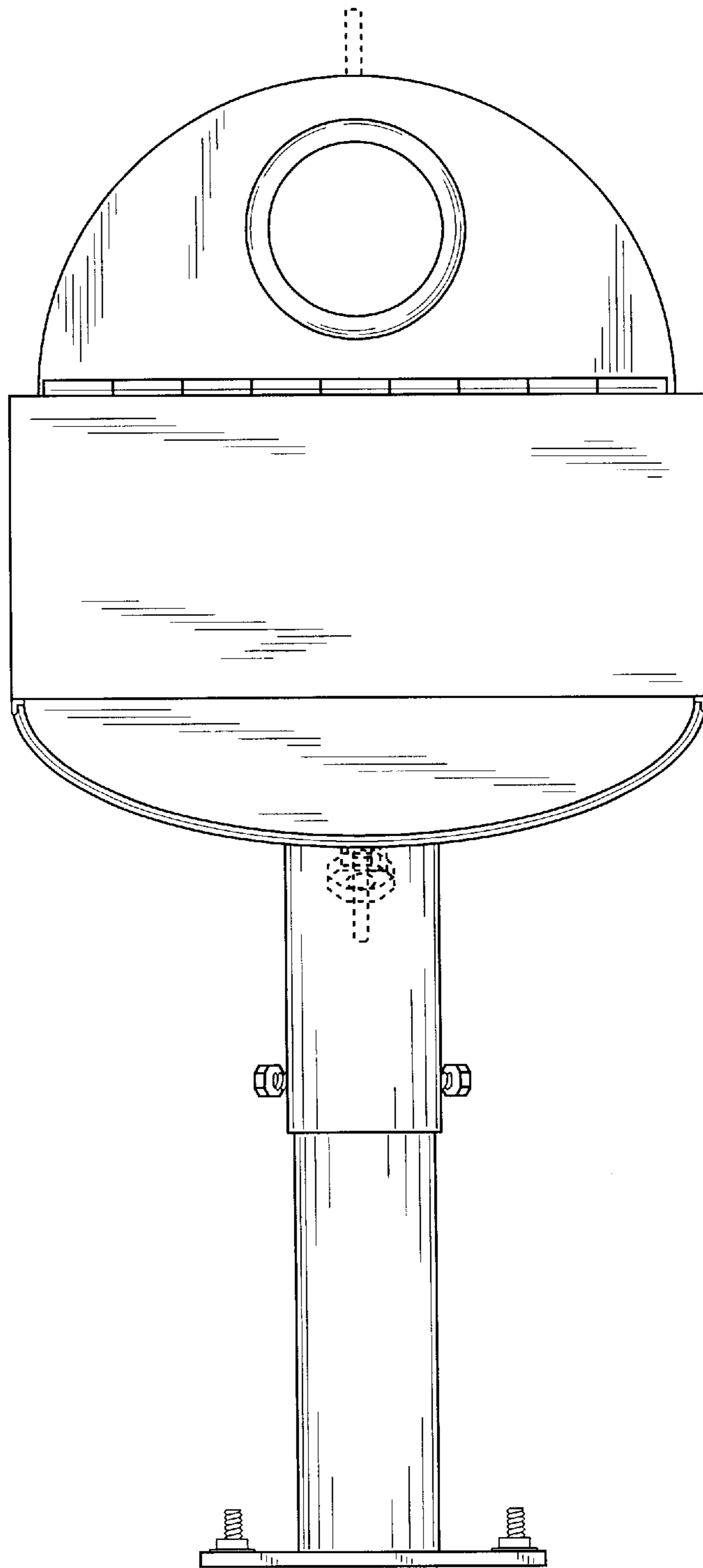


FIG. 7

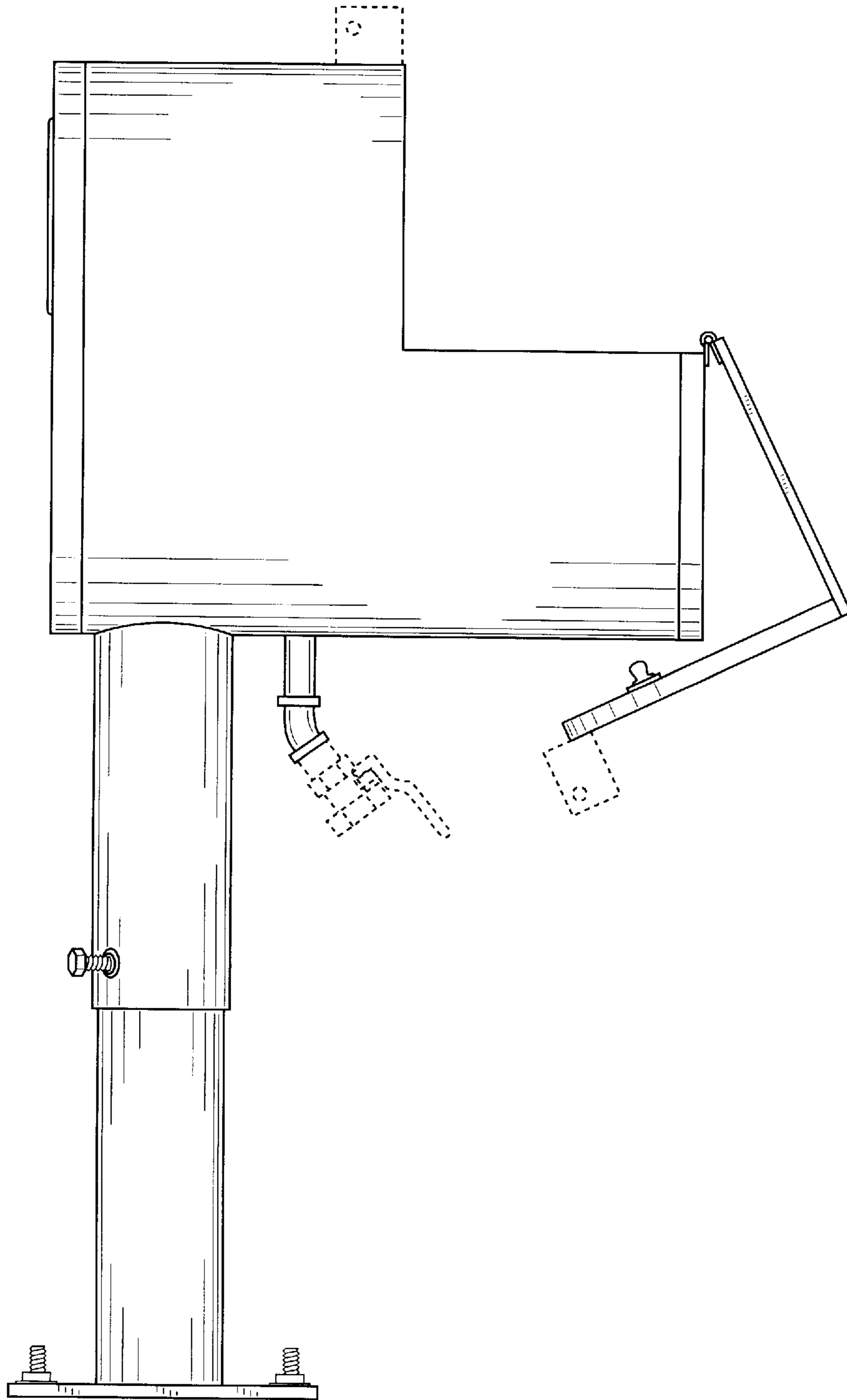


FIG. 8