



US00D401302S

United States Patent [19] Chua

[11] **Patent Number: Des. 401,302**

[45] **Date of Patent: **Nov. 17, 1998**

[54] **MISSILE FIN UNIT**

4,427,167 1/1984 Daniels 244/3.24
4,779,534 10/1988 Wang D22/112
4,978,088 12/1990 Himmert et al. 244/3.24

[75] **Inventor: Yew Seng Chua, Hong Kong, Hong Kong**

FOREIGN PATENT DOCUMENTS

[73] **Assignee: Glorious Company, Hong Kong, Hong Kong**

374743 6/1990 European Pat. Off. 244/3.24

[**] **Term: 14 Years**

Primary Examiner—Louis S. Zarfes
Assistant Examiner—Monica A. Weingart
Attorney, Agent, or Firm—Davis & Kendall, P.C.; Tyrone Davis; John S. Kendall

[21] **Appl. No.: 69,540**

[22] **Filed: Apr. 28, 1997**

[57] CLAIM

[51] **LOC (6) Cl. 22-03**

The ornamental design for a missile fin unit, as shown and described.

[52] **U.S. Cl. D22/112; D22/100; D22/199**

[58] **Field of Search D22/100, 112, D22/119; 244/3.24, 3.25, 3.3**

DESCRIPTION

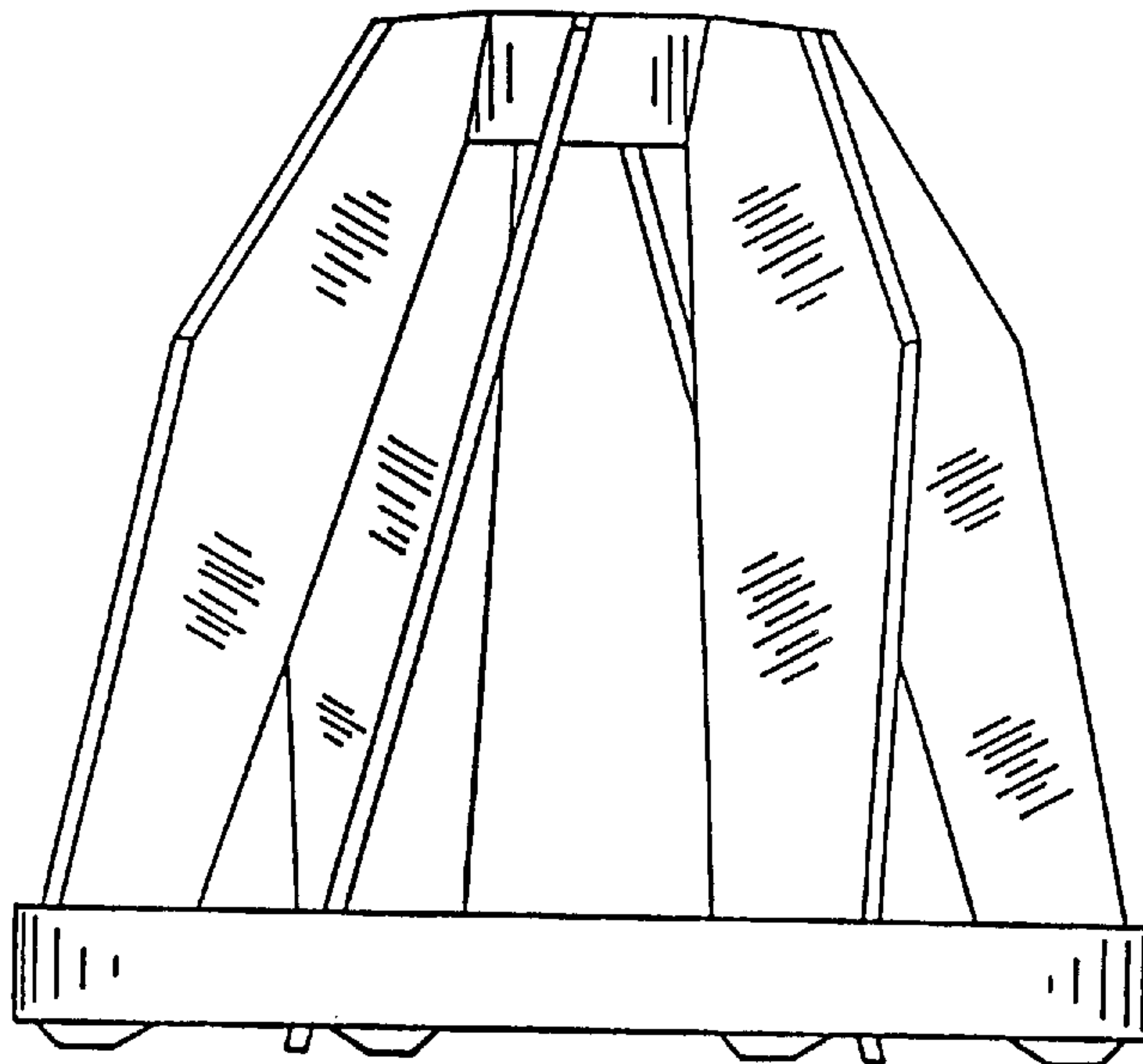
[56] References Cited

U.S. PATENT DOCUMENTS

D. 274,384 6/1984 Chiehyi D22/112
2,315,145 3/1943 Wauters 244/3.24
3,403,873 10/1968 Bell et al. 244/3.24 X

FIG. 1, shows the side view of the missile fin unit;
FIG. 2, shows the top view of the missile fin unit;
FIG. 3, shows the bottom view of the missile fin unit; and,
FIG. 4, show sectional view of the missile fin unit taken along line 4—4 of FIG. 2.

1 Claim, 2 Drawing Sheets



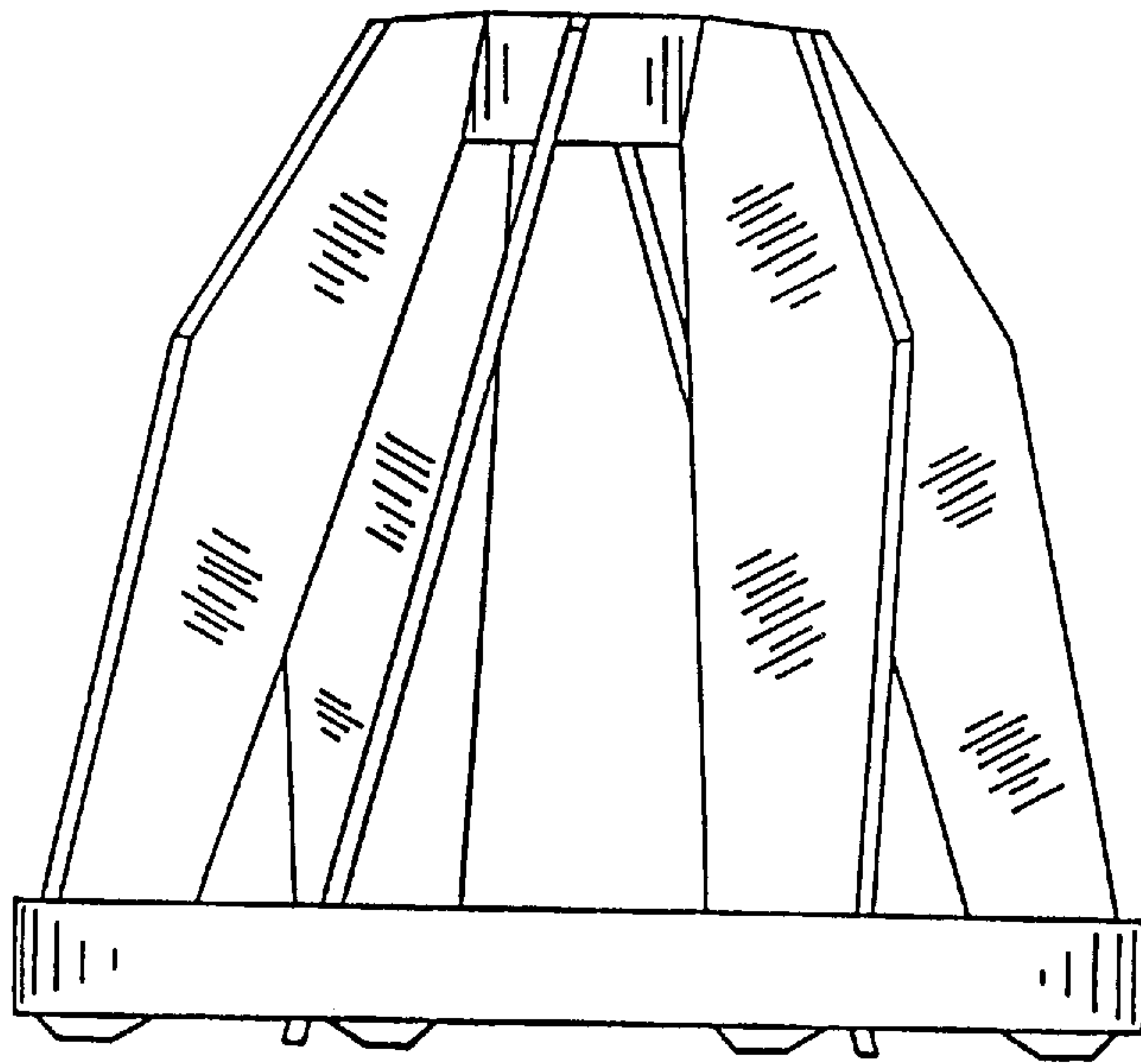


FIG. 1

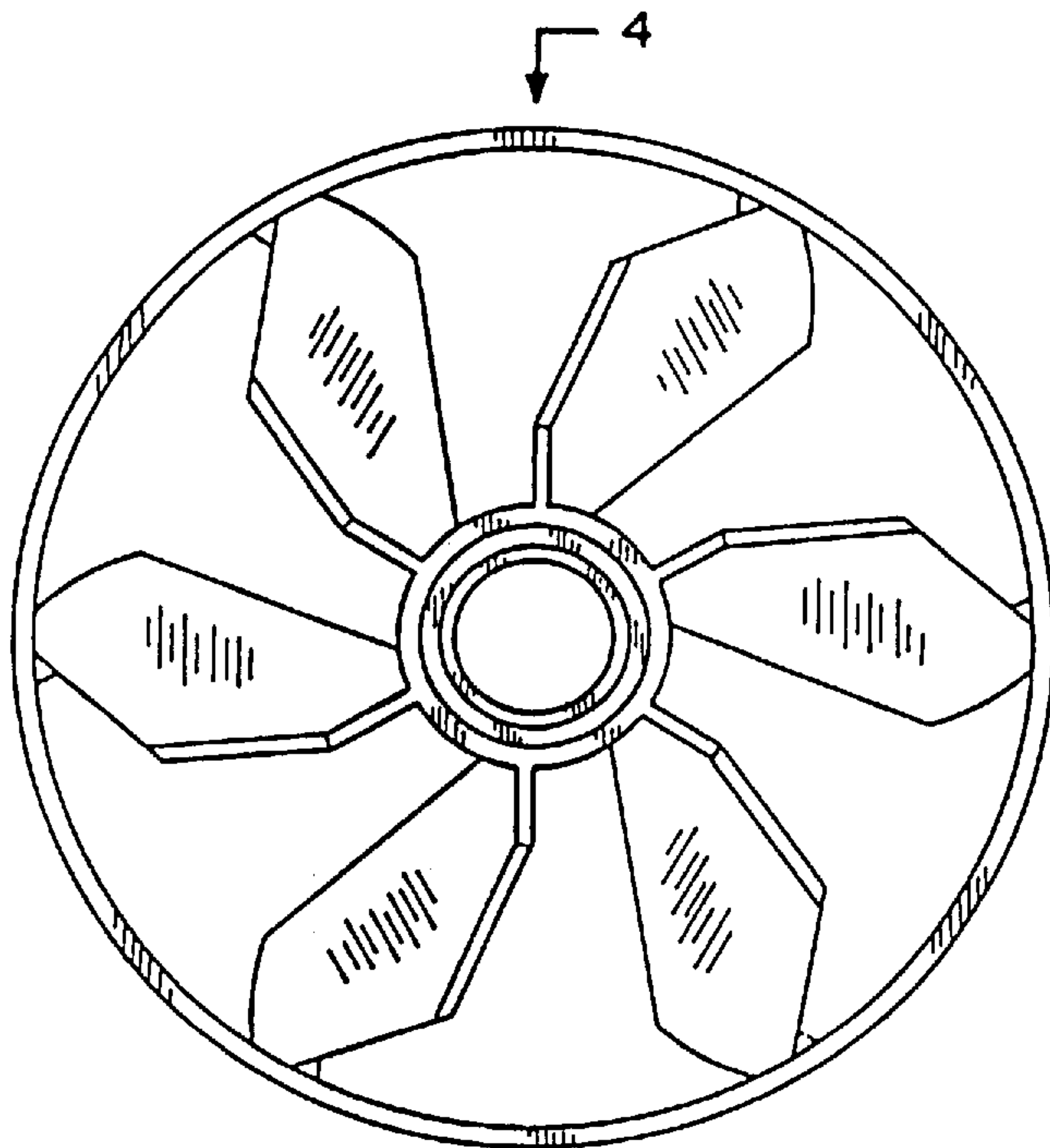


FIG. 2

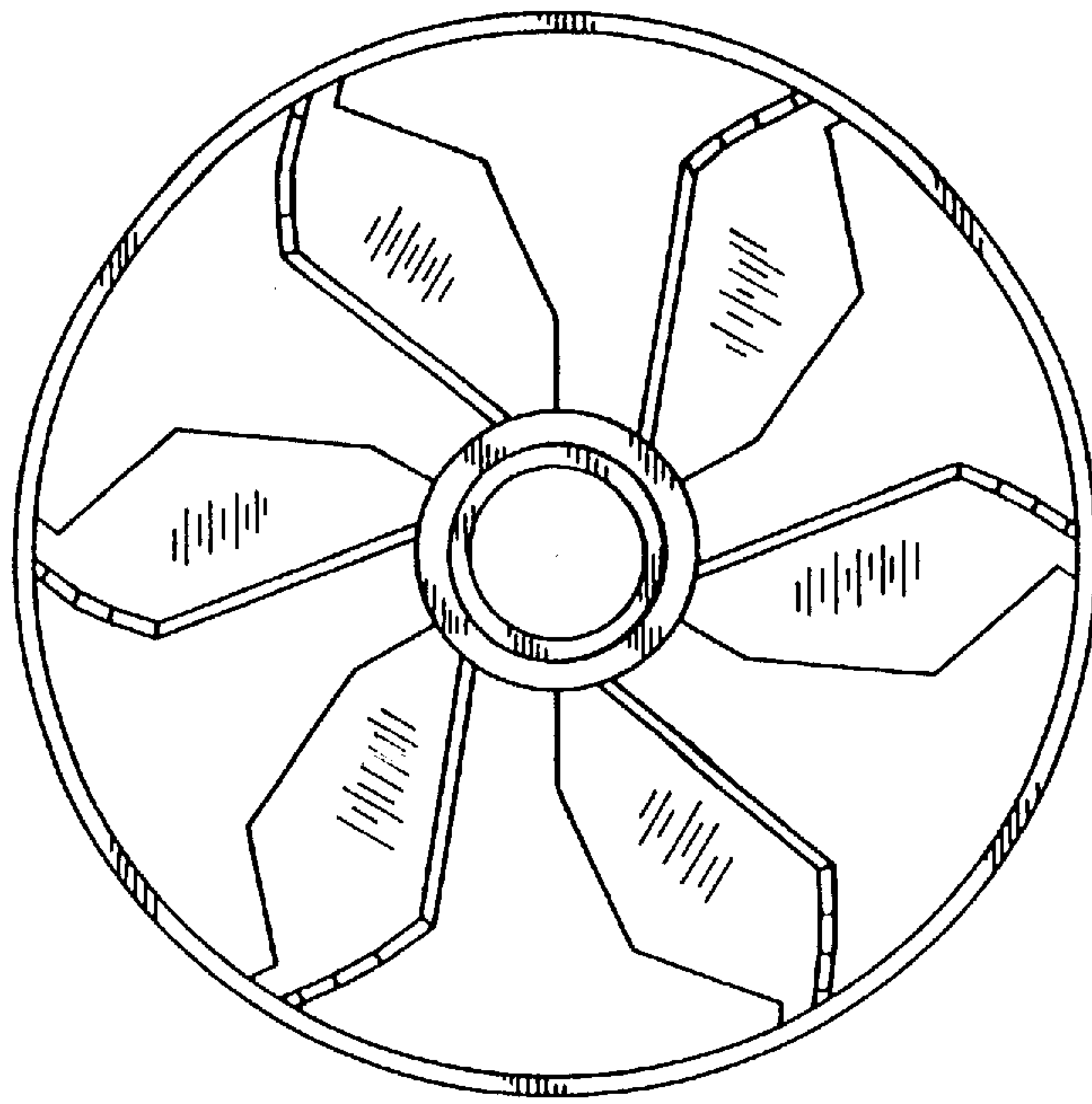


FIG. 3

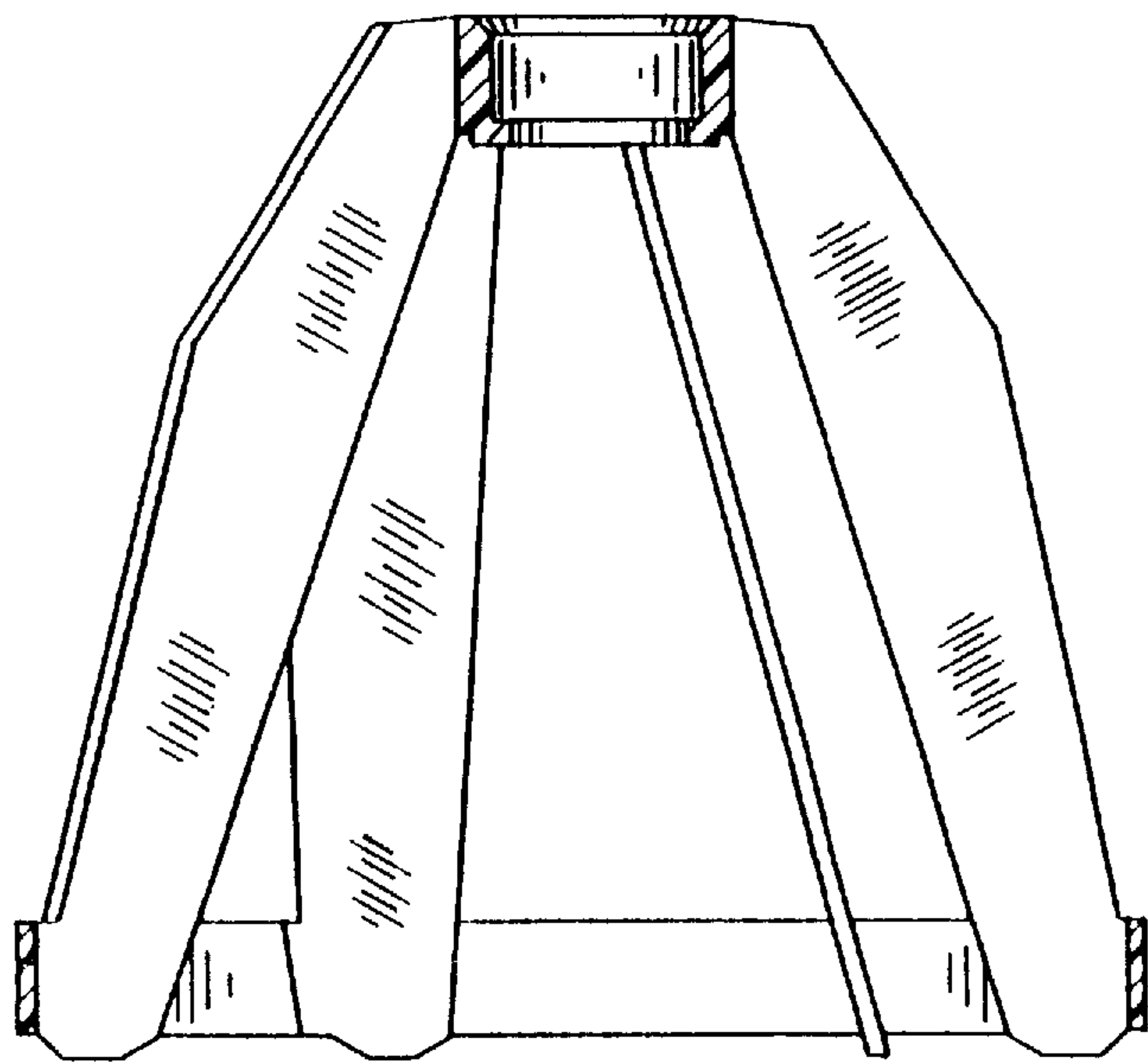


FIG. 4