



US00D401299S

# United States Patent [19]

[11] Patent Number: **Des. 401,299**

**Burrows**

[45] Date of Patent: **\*\*Nov. 17, 1998**

[54] **WOOD-TYPE HEAD FOR A GOLF CLUB**

*Attorney, Agent, or Firm—*Kelly Bauersfeld Lowry & Kelley, LLP.

[76] Inventor: **Bruce D. Burrows**, 25555 West Avenue  
Stanford, Valencia, Calif. 91355-1101

[57] **CLAIM**

[\*\*] Term: **14 Years**

The ornamental design for a wood-type head for a golf club, as shown and described.

[21] Appl. No.: **69,509**

**DESCRIPTION**

[22] Filed: **Apr. 22, 1997**

FIG. 1 is a perspective view showing the front, top and left sides of a wood-type head for a golf club embodying the new design;

[51] **LOC (6) Cl.** ..... **21-02**

[52] **U.S. Cl.** ..... **D21/733**

[58] **Field of Search** ..... D21/214; 473/324,  
473/327, 328, 343, 344, 345

FIG. 2 is a front elevational view thereof;

FIG. 3 is a left side elevational view thereof;

FIG. 4 is a right side elevational view thereof;

FIG. 5 is a rear elevational view thereof;

FIG. 6 is a top plan view thereof;

FIG. 7 is a bottom plan view thereof;

FIG. 8 is a bottom plan view of an alternative form of my new design, the front and rear elevational views, the top plan view, and the right side elevational view being identical to the embodiment of FIGS. 1-7; and,

FIG. 9 is a left side elevational view of the embodiment of FIG. 8.

The broken line showing of a fragmented shaft is for illustrative purposes only and forms no part of the claimed design.

[56] **References Cited**

**U.S. PATENT DOCUMENTS**

- D. 318,087 7/1991 Helmstetter .
- D. 354,103 1/1995 Allen .
- D. 356,356 3/1995 Jacobs .
- D. 364,666 11/1995 Nagy .
- D. 366,919 2/1996 Jacobs .
- D. 385,003 10/1997 Burrows ..... D21/214
- 1,541,126 6/1925 Dunn .
- 3,374,027 3/1968 Jacobs .

*Primary Examiner—*Terry A. Wallace  
*Assistant Examiner—*Mitchell I. Siegel

**1 Claim, 5 Drawing Sheets**

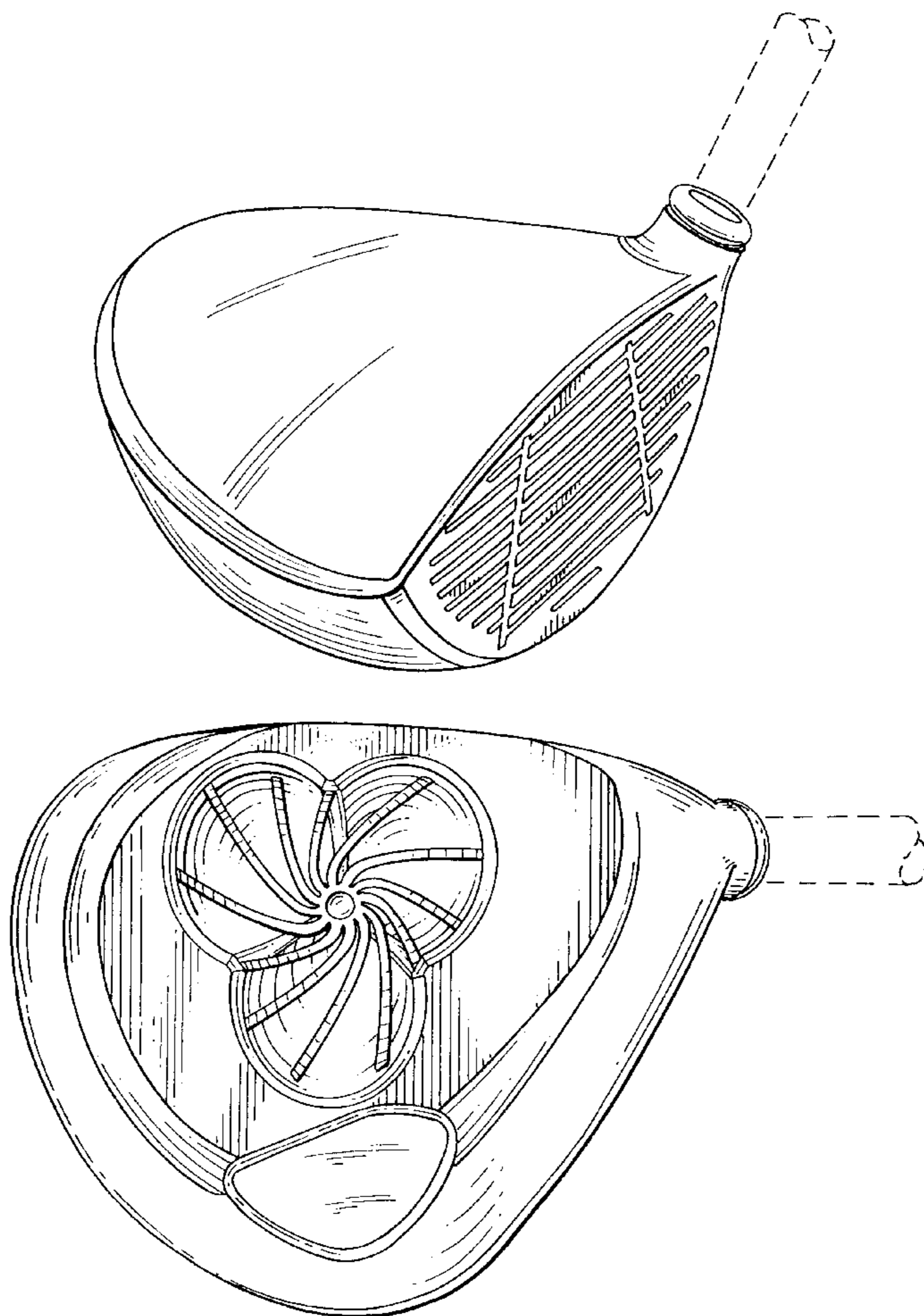


FIG. 1

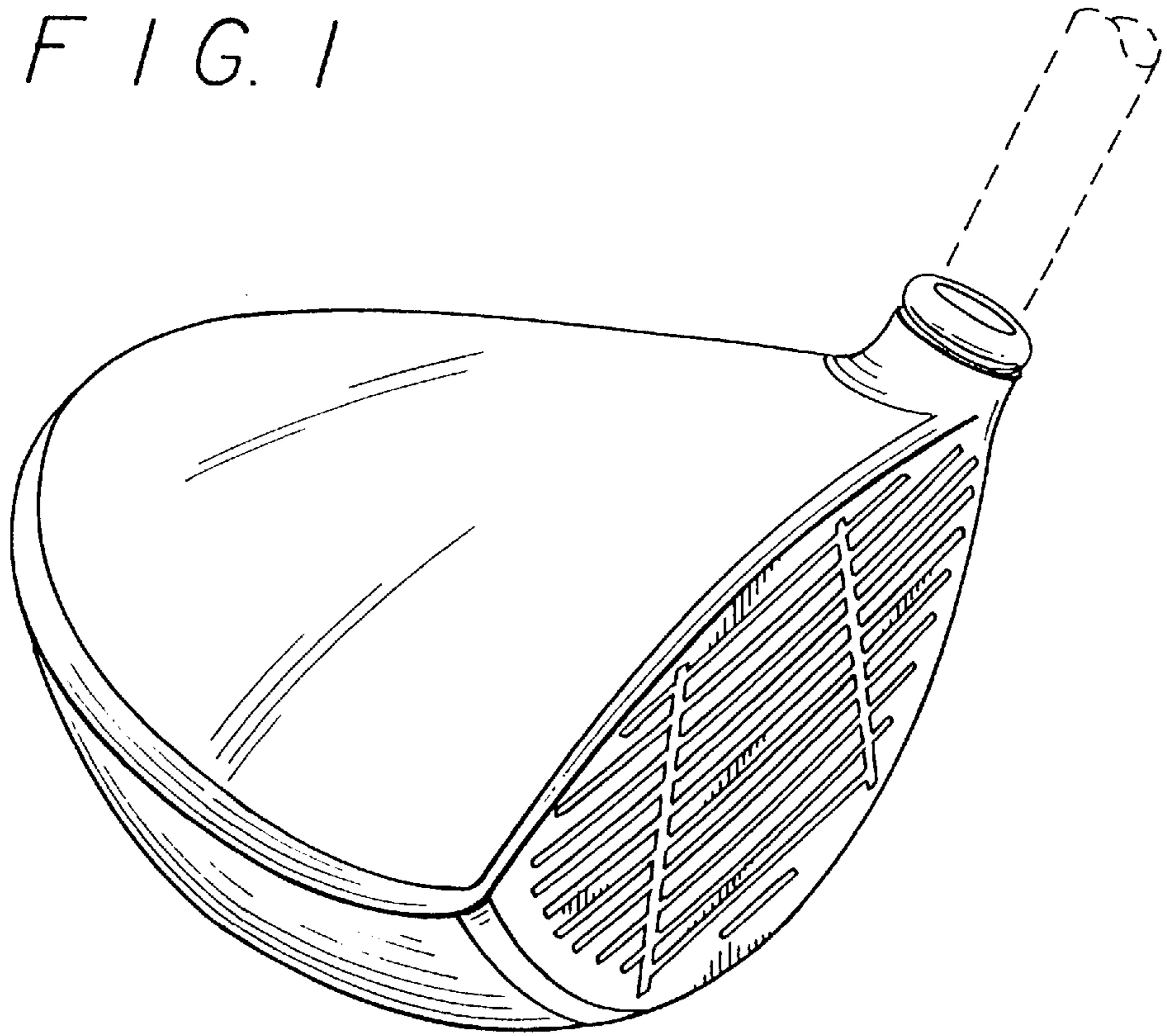


FIG. 2

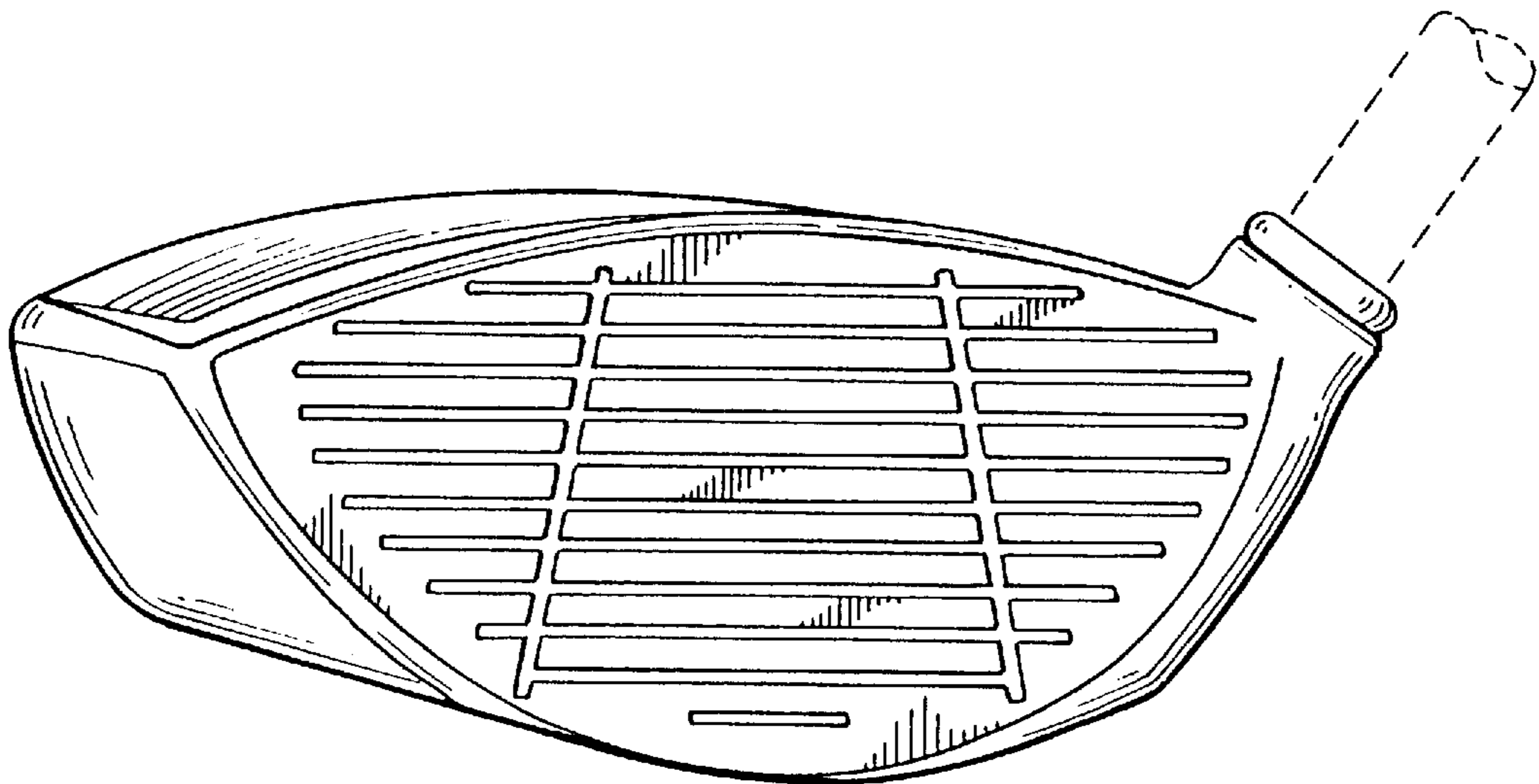


FIG. 3

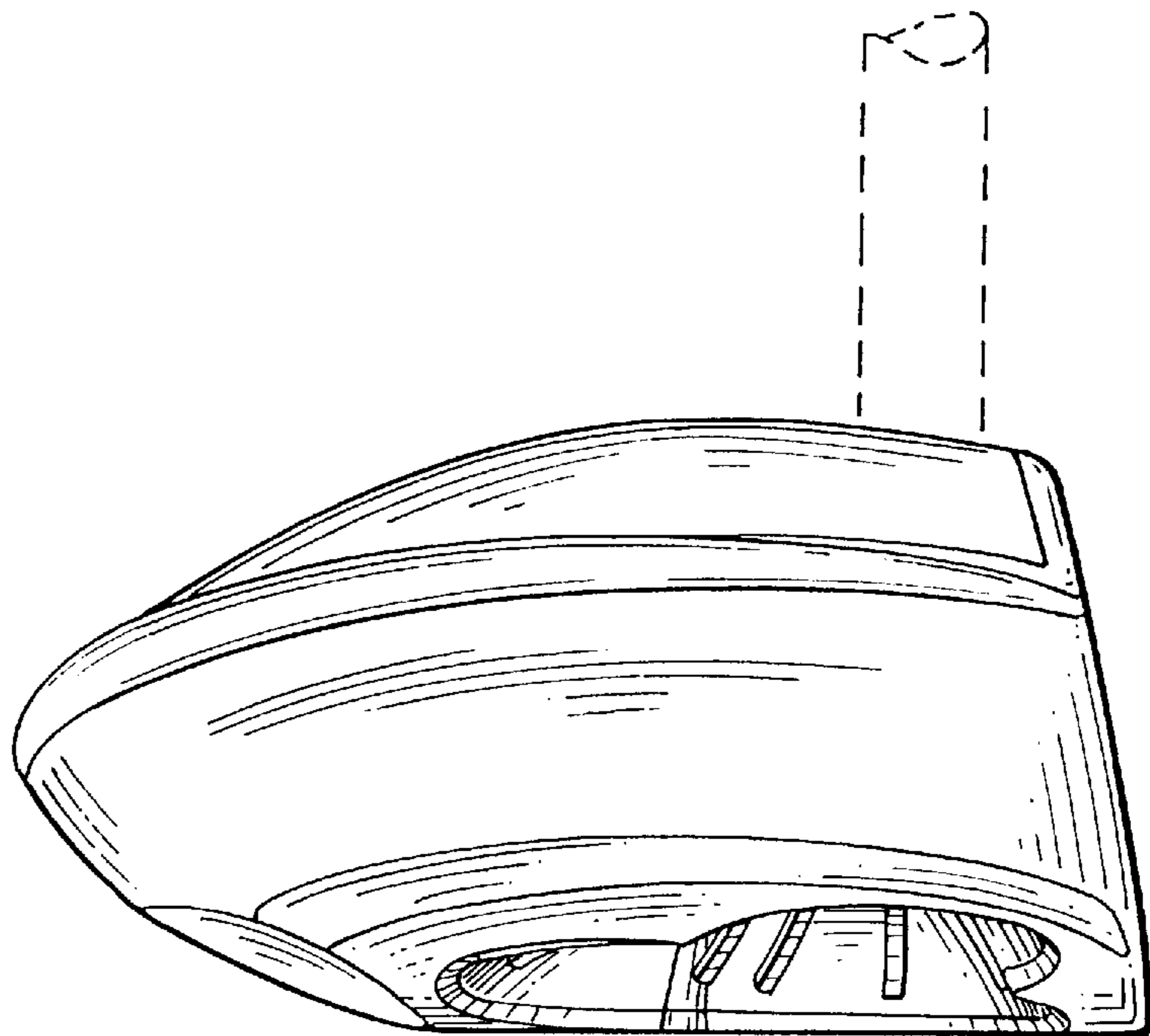


FIG. 4

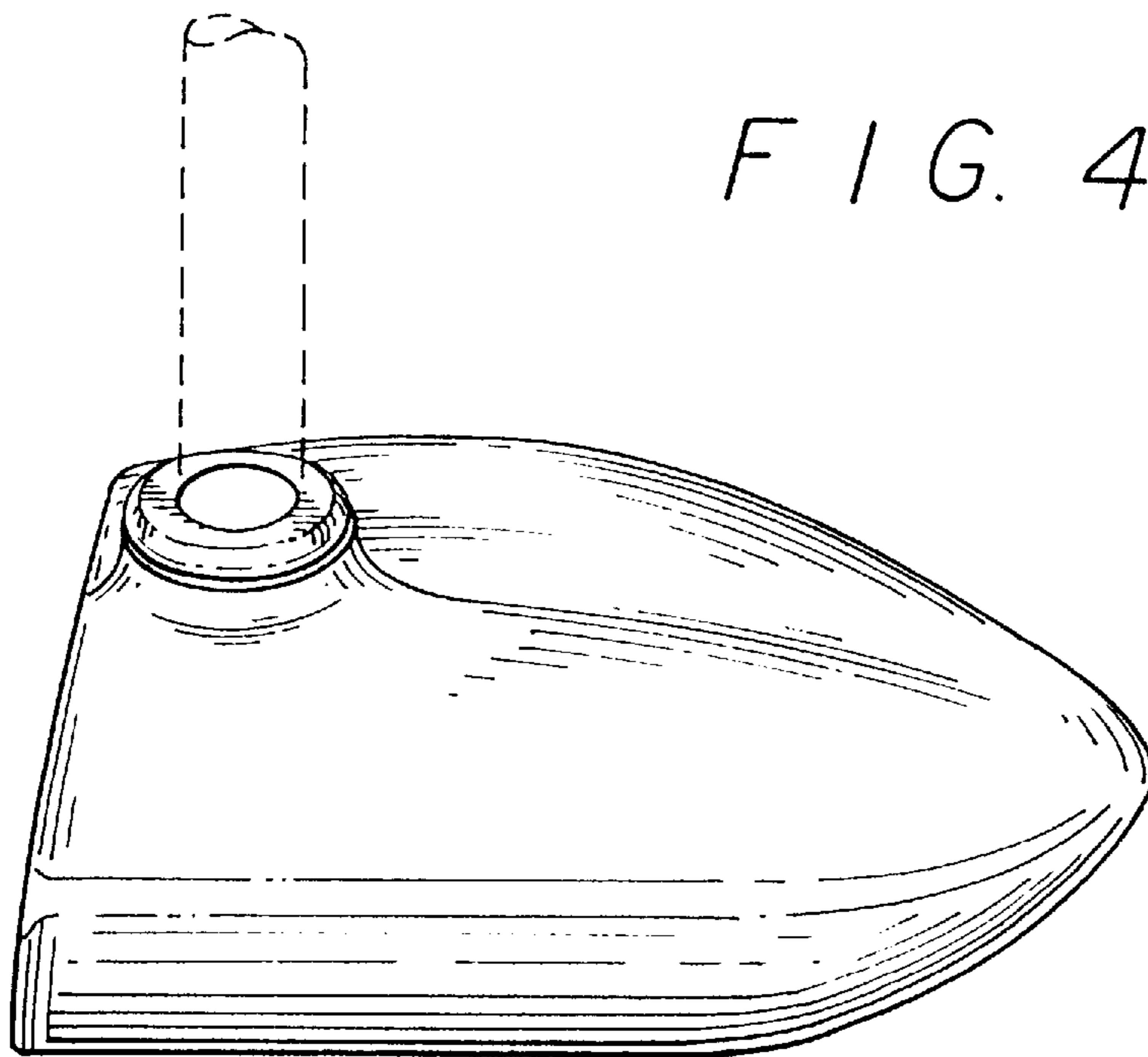
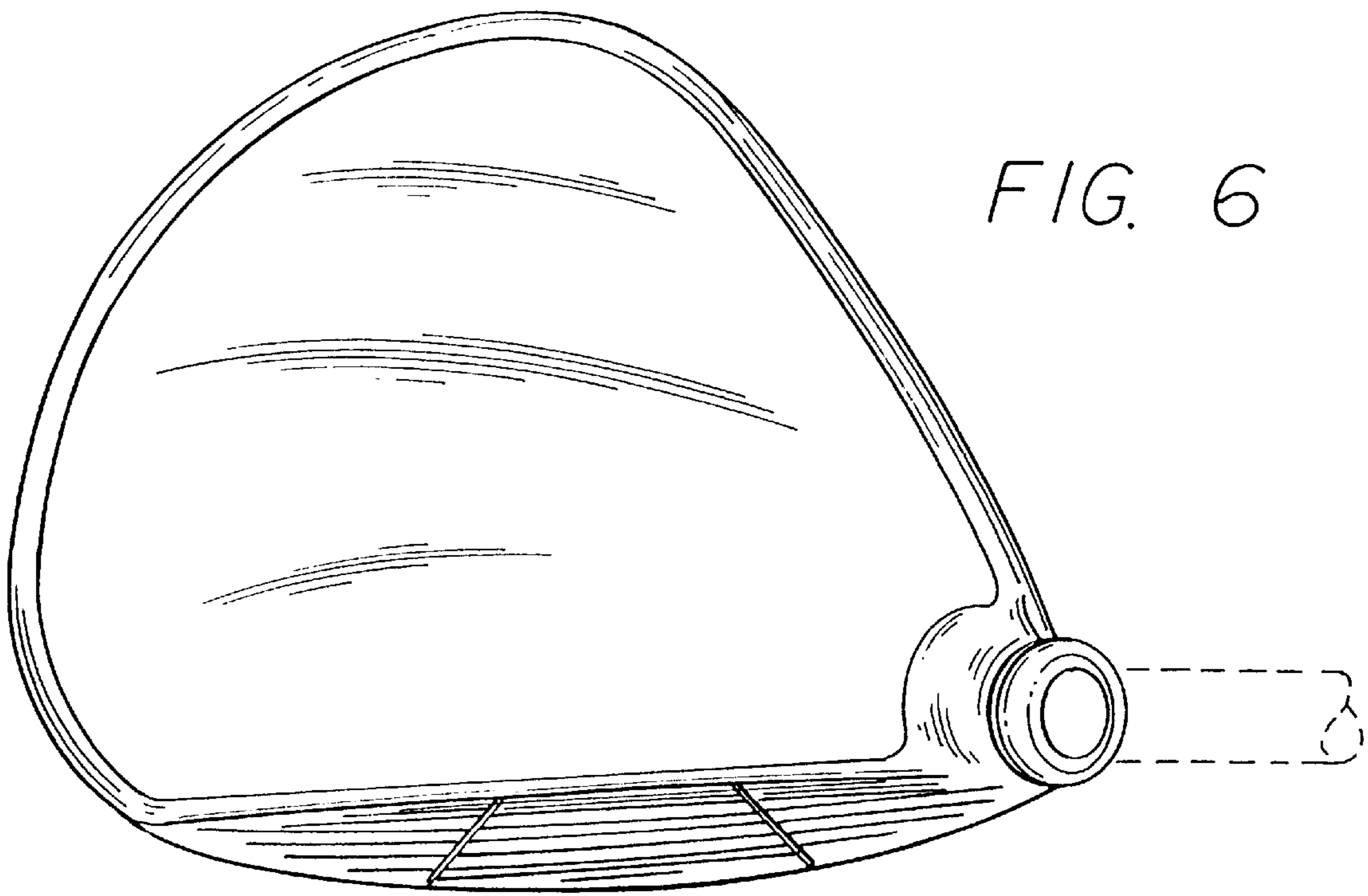


FIG. 5



FIG. 6



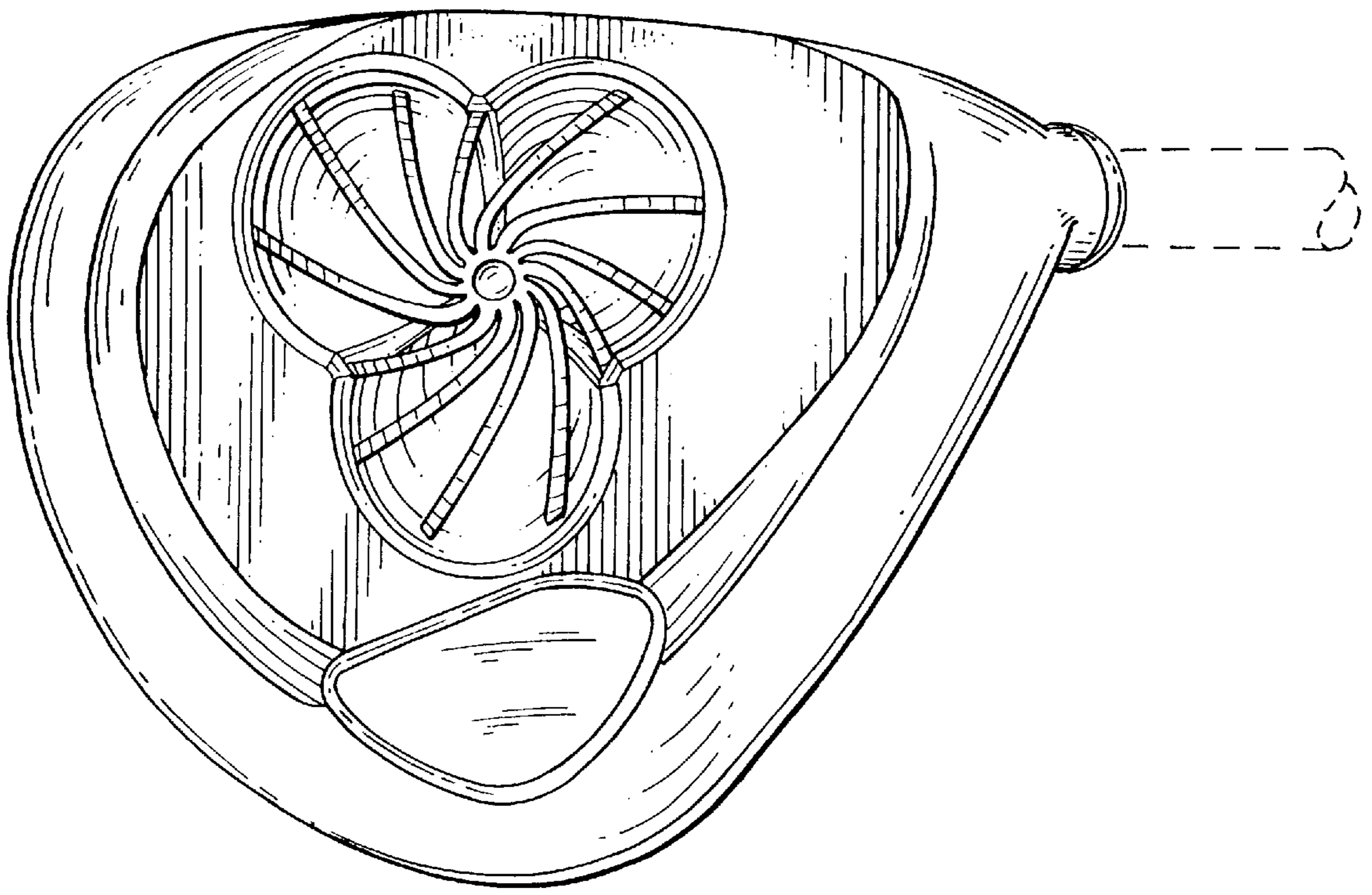


FIG. 7

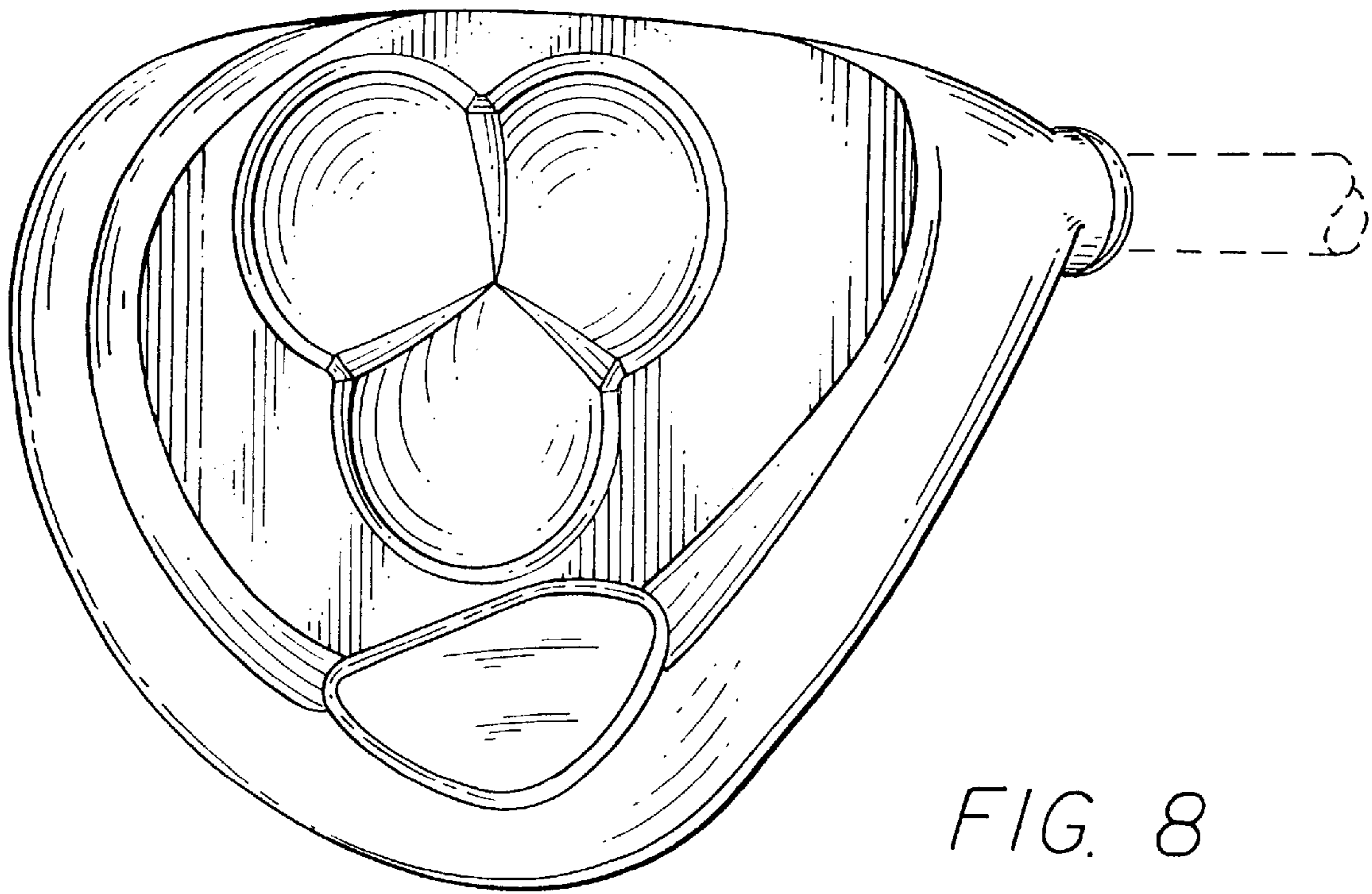


FIG. 8

FIG. 9

