

US00D401287S

# United States Patent [19] Ritzinger

[11] **Patent Number: Des. 401,287**

[45] **Date of Patent: \*\*Nov. 17, 1998**

[54] **SNOWBOARD**

[75] Inventor: **Oliver Ritzinger**, Munich, Germany

[73] Assignee: **Boards Unlimited Sportartikel GmbH & Co. KG**, Gürdding, Germany

[\*\*] Term: **14 Years**

[21] Appl. No.: **80,306**

[22] Filed: **Dec. 4, 1997**

2801859A1 7/1979 Germany .  
2924023A1 12/1980 Germany .  
3421997A1 12/1985 Germany .  
WO96/  
24411A1 8/1996 WIPO .

*Primary Examiner—Kay H. Chin  
Attorney, Agent, or Firm—Rockey, Milnamow & Katz, Ltd.*

### [57] CLAIM

The ornamental design for a snowboard, as shown and described.

### Related U.S. Application Data

[63] Continuation-in-part of Ser. No. 904,980, Aug. 1, 1997.

### [30] Foreign Application Priority Data

Mar. 25, 1997 [DE] Germany ..... MD 97 12 569.7  
Sep. 9, 1997 [DE] Germany ..... ID 97 08 617.7

[51] **LOC (6) Cl.** ..... **21-02**

[52] **U.S. Cl.** ..... **D21/228; D21/236**

[58] **Field of Search** ..... **D21/228-230;**  
**280/28.11, 845, 809, 601-610**

### [56] References Cited

#### U.S. PATENT DOCUMENTS

D. 206,506 12/1966 Lambach ..... D21/228  
D. 305,144 12/1989 Shanelec ..... D21/228  
D. 305,349 1/1990 Shanelec ..... D21/228  
D. 376,561 12/1996 Sloss ..... D21/228  
D. 386,236 11/1997 Gervasons ..... D21/228

#### FOREIGN PATENT DOCUMENTS

2711930A1 9/1978 Germany .  
2749027A1 5/1979 Germany .

### DESCRIPTION

FIG. 1 is a perspective view of a snowboard showing my new design;

FIG. 2 is a front elevation thereof;

FIG. 3 is a rear elevation thereof;

FIG. 4 is a top plan thereof;

FIG. 5 is a left side view thereof, the right side view being a mirror image thereof;

FIG. 6 is a bottom plan thereof;

FIG. 7 is a cross-sectional view thereof, as taken along line 7—7 in FIG. 4, in a direction indicated by arrows;

FIG. 8 is a perspective view of a second embodiment of a snowboard showing my new design;

FIG. 9 is a front elevation thereof;

FIG. 10 is a rear elevation thereof;

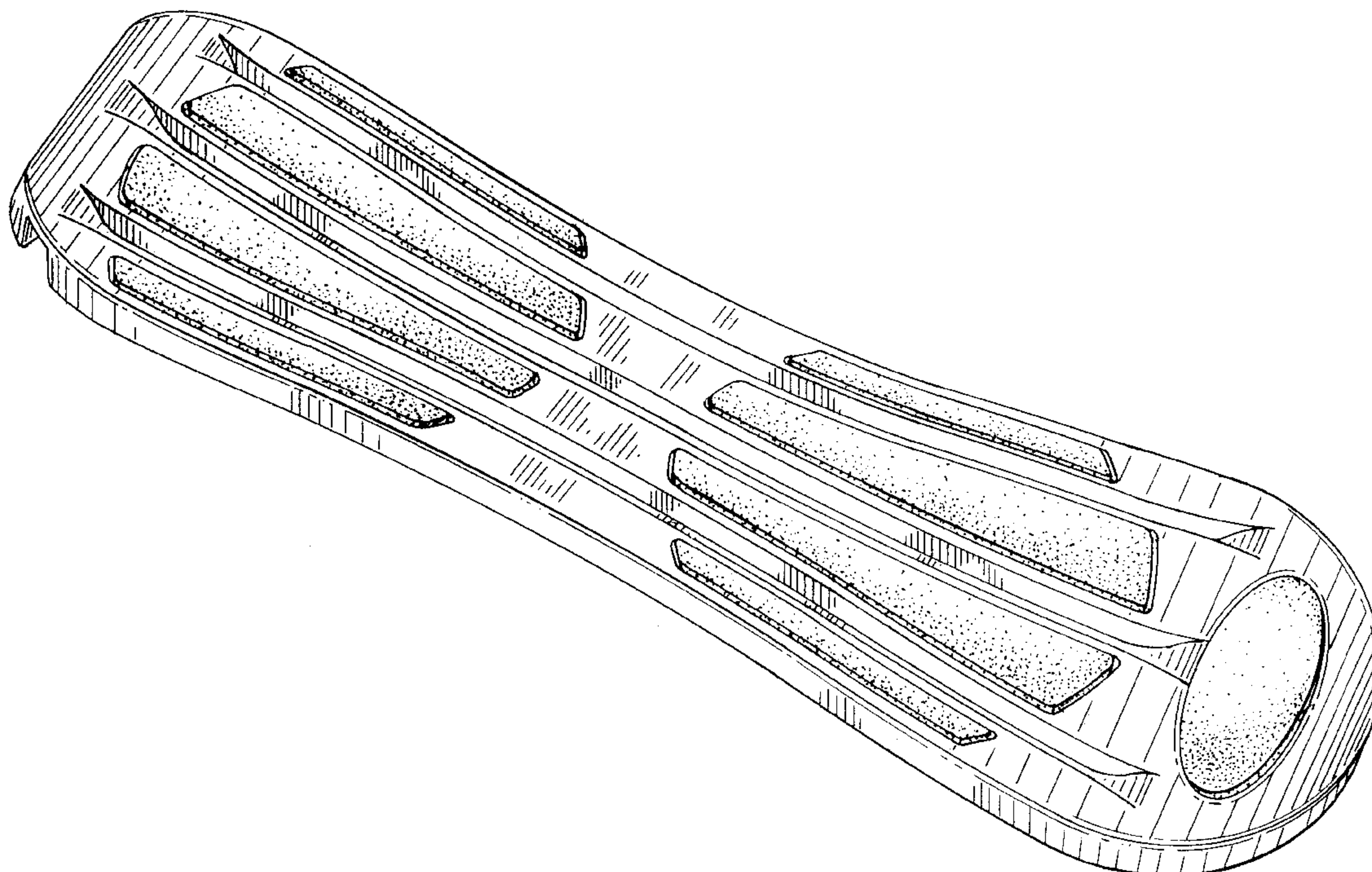
FIG. 11 is a top plan thereof;

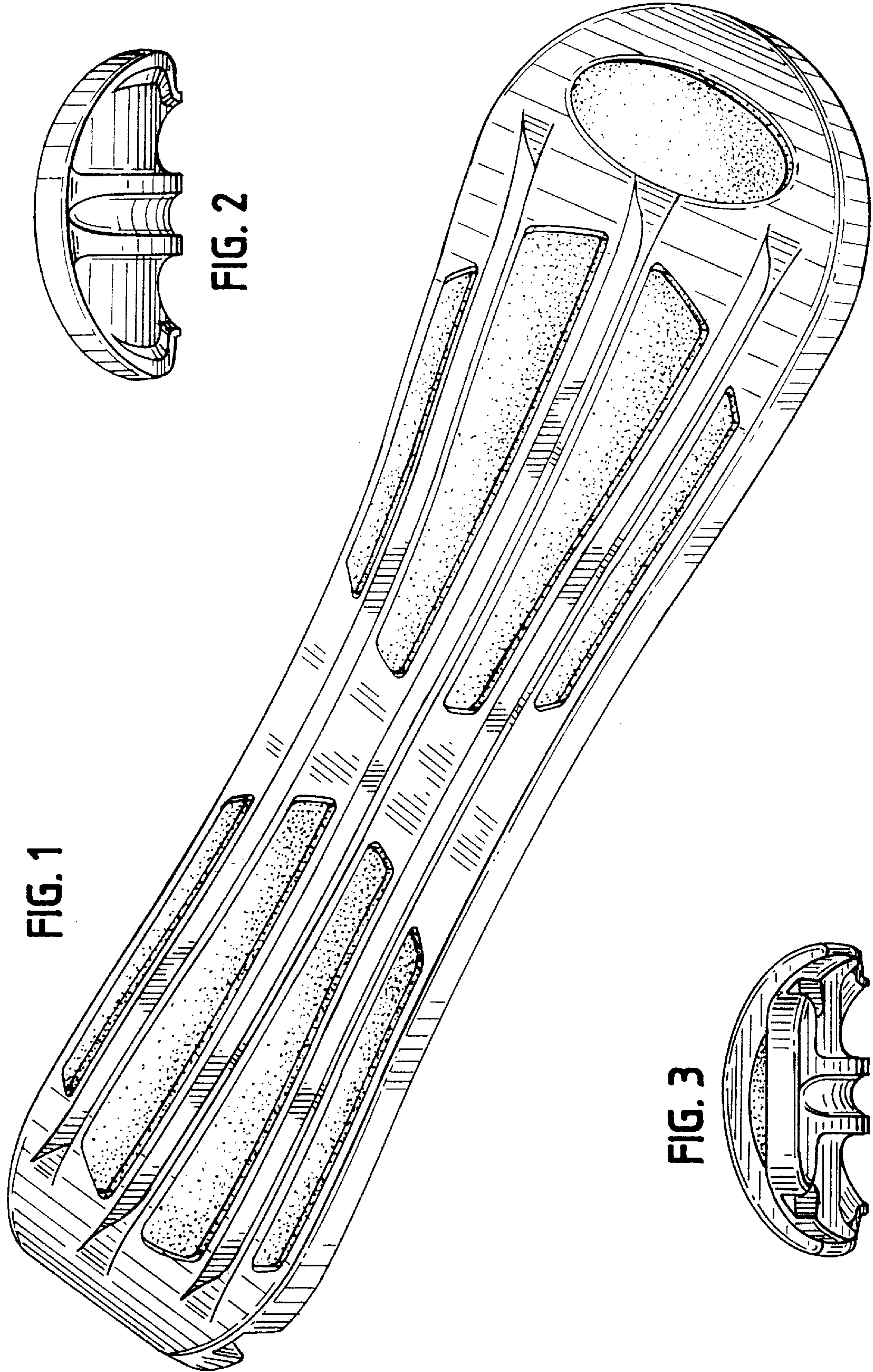
FIG. 12 is a left side view thereof, the right side view being a mirror image of the left side view;

FIG. 13 is a bottom plan thereof; and,

FIG. 14 is a cross-sectional view thereof, as taken along line 14—14 in FIG. 11, in a direction indicated by arrows.

**1 Claim, 4 Drawing Sheets**







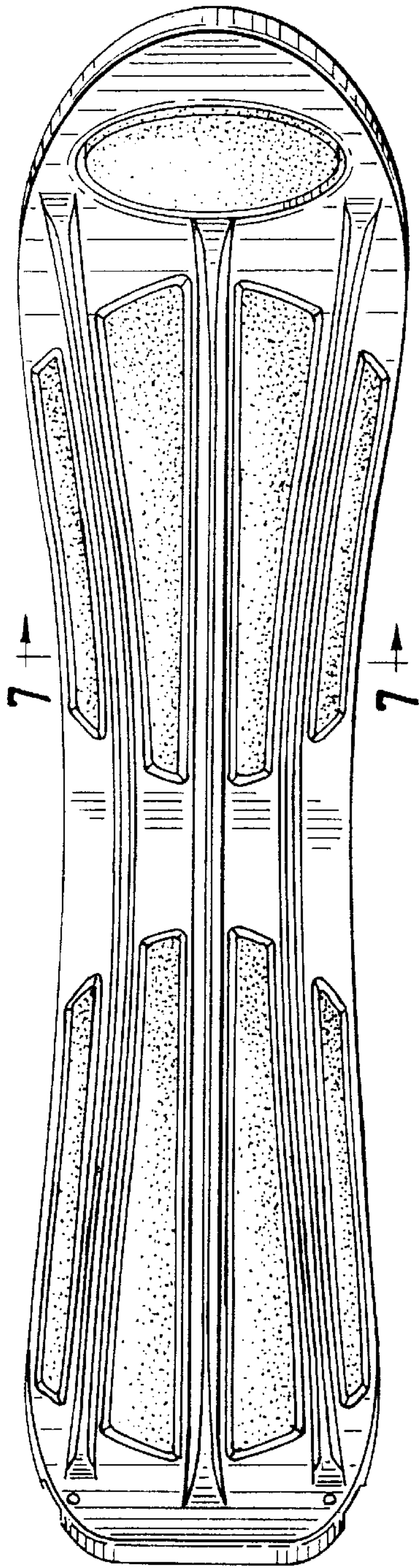


FIG. 4

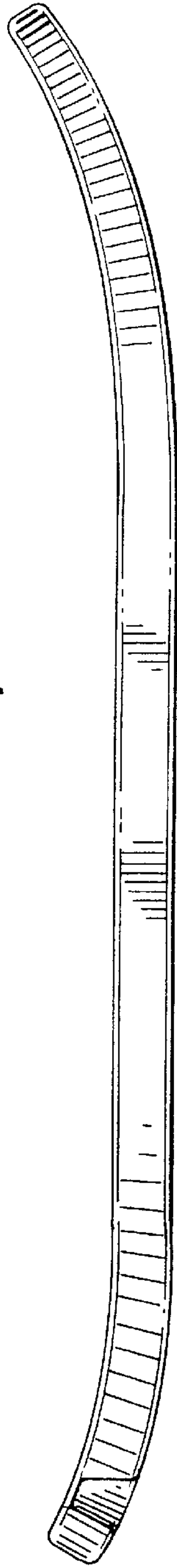


FIG. 5

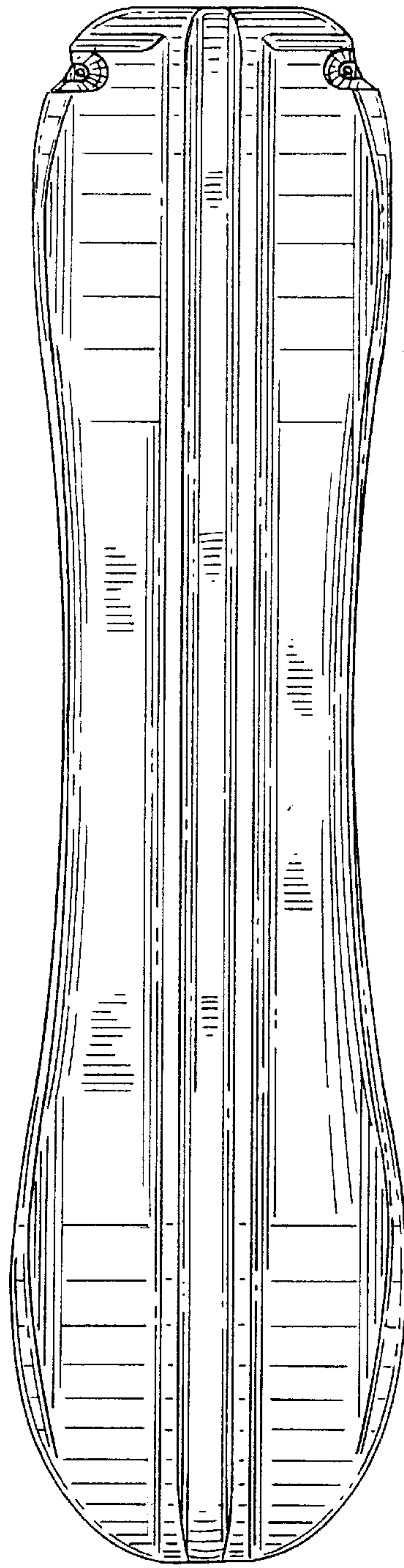


FIG. 6

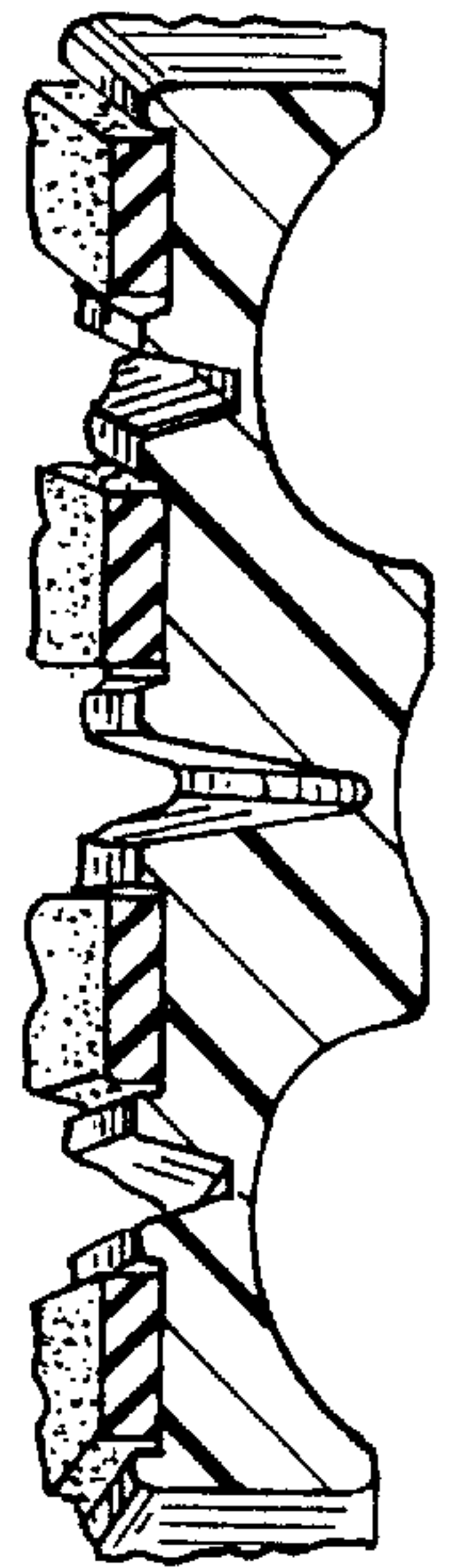


FIG. 7

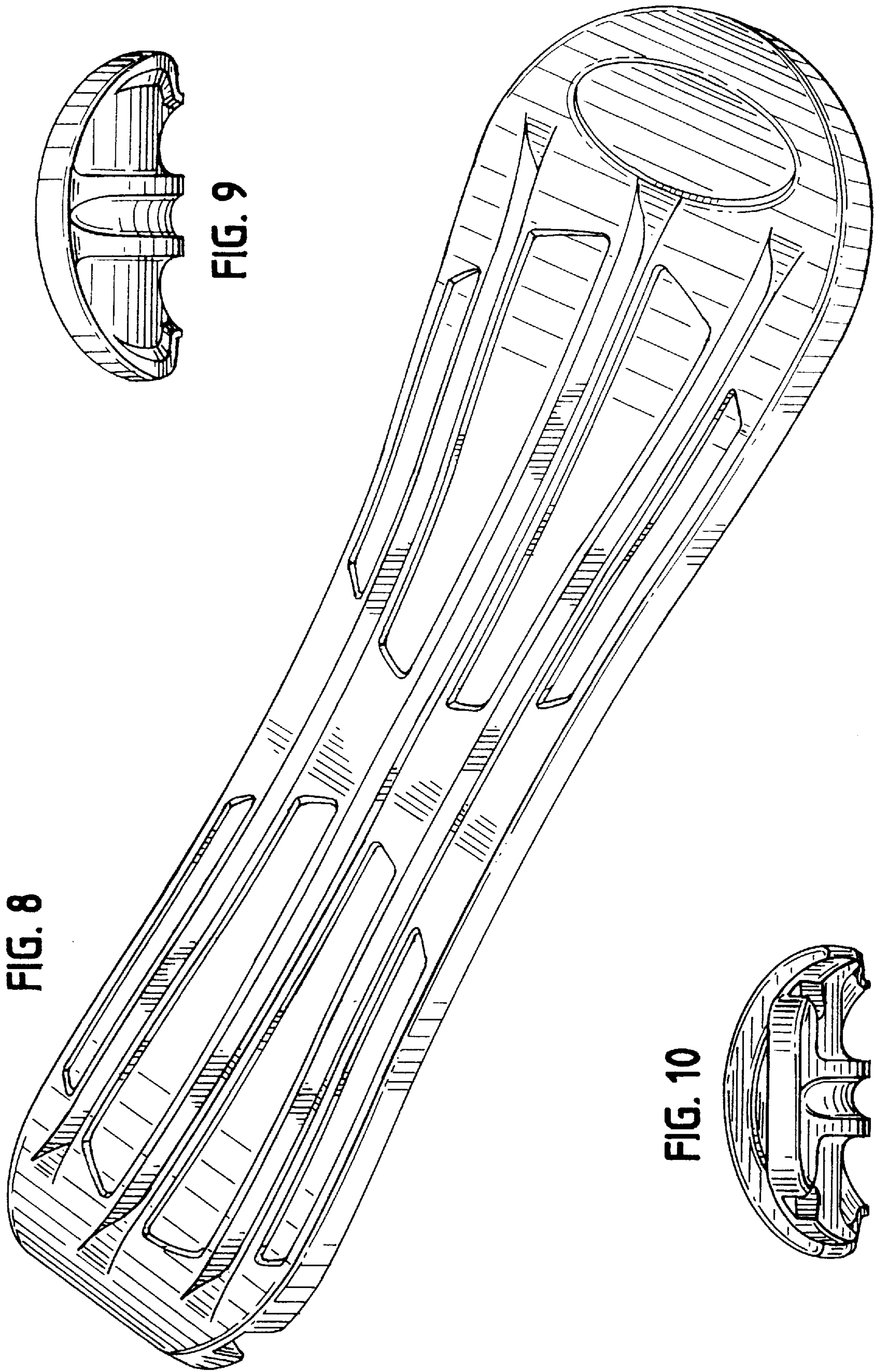


FIG. 8

FIG. 9

FIG. 10



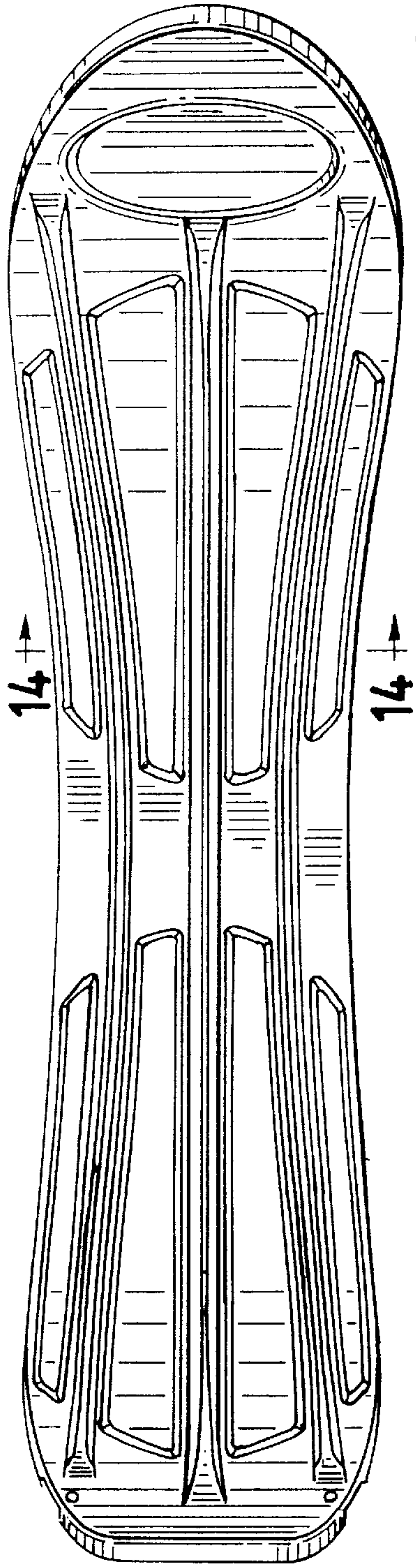


FIG. 11

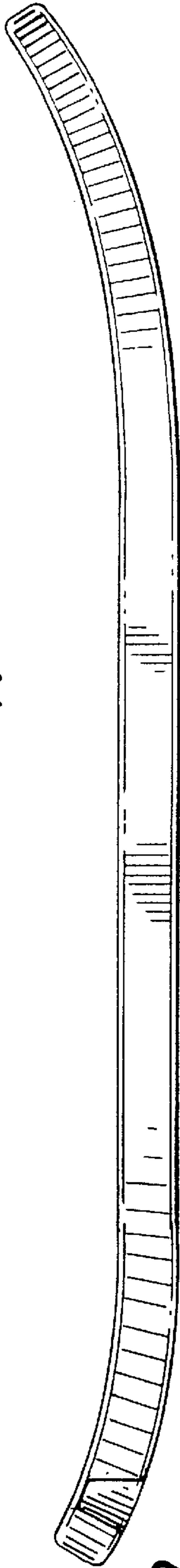


FIG. 12

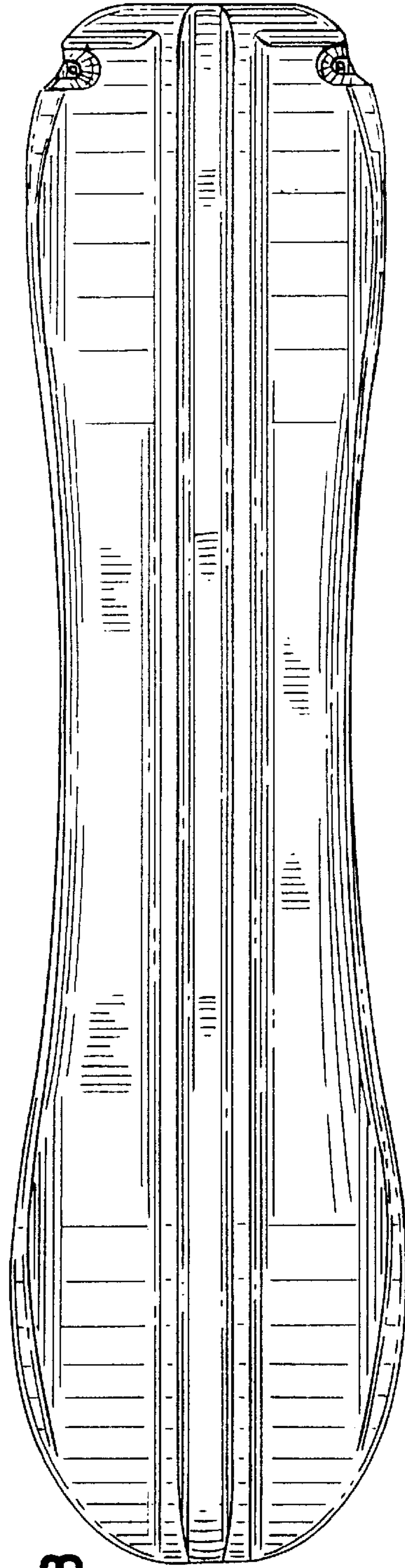


FIG. 13

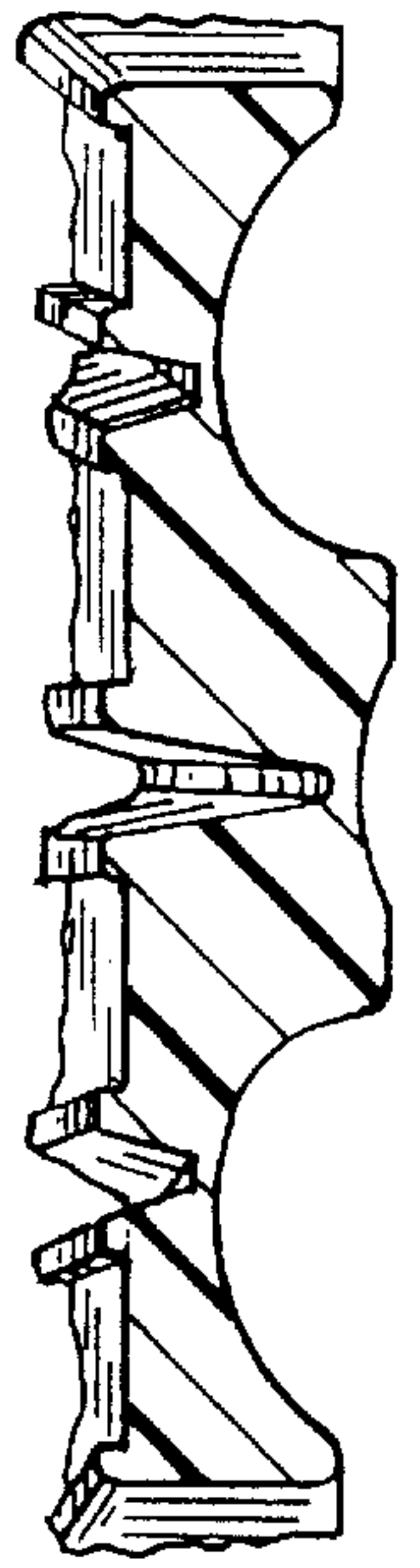


FIG. 14

UNITED STATES PATENT AND TRADEMARK OFFICE  
CERTIFICATE OF CORRECTION

PATENT NO.: Des. 401,287  
DATED : November 17, 1998  
INVENTOR: Oliver Ritzinger

It is hereby certified that error appear(s) in the above-identified patent and that said Letters Patent is hereby corrected as shown below:

Title page, item [73], assignee, "Gurdding" should read - -Günding- -.

In the foreign application priority data "MD9712569.7" should read - -19712569.7- - and "ID9708617.7" should read - -M970861 77--.

Signed and Sealed this  
Second Day of May, 2000

Attest:



Q. TODD DICKINSON

Attesting Officer

Director of Patents and Trademarks