



US00D401284S

United States Patent [19]

Alvern

[11] Patent Number: Des. 401,284

[45] Date of Patent: **Nov. 17, 1998

[54] LOWER MEMBER OF AN ADVERTISING CARRYING BODY FOR USE ON A FILLER GUN

[75] Inventor: Stein Alvern, Houston, Tex.

[73] Assignee: Alvern-Norway A/S, Oslo, Norway

[**] Term: 14 Years

[21] Appl. No.: 78,728

[22] Filed: Oct. 28, 1997

Related U.S. Application Data

[62] Division of Ser. No. 60,806, Oct. 8, 1996, Pat. No. Des. 392,683.

Foreign Application Priority Data

Apr. 11, 1996 [NO] Norway D960230

[51] LOC (6) Cl. 20-03

[52] U.S. Cl. D20/19; D15/9.1; D20/10; D23/227

[58] Field of Search D15/9.1; 40/584, 40/609, 661; D20/42, 19, 29, 43; 222/23; 141/392, 98; D23/227

References Cited

U.S. PATENT DOCUMENTS

- D. 173,006 9/1954 Anderson .
- D. 173,007 9/1954 Anderson .
- D. 279,483 7/1985 Goldman .
- D. 279,484 7/1985 Goldman .
- D. 366,310 1/1996 Fell .
- 4,265,281 5/1981 Oberrecht 141/392
- 4,408,791 10/1983 Griffin et al. .
- 4,465,209 8/1984 Wilder .
- 4,690,182 9/1987 Knaus .

- 5,058,199 10/1991 Fell 141/392
- 5,058,637 10/1991 Fell .
- 5,184,309 2/1993 Simpson et al. .
- 5,184,655 2/1993 Fell 141/392
- 5,199,474 4/1993 D'Angelo 141/392
- 5,385,182 1/1995 Dyer .
- 5,458,170 10/1995 Ferguson 141/392

FOREIGN PATENT DOCUMENTS

- S-122642 2/1995 Australia .
- S-123343 5/1995 Australia .
- 0407271A1 1/1991 European Pat. Off. .
- 62-208396 9/1987 Japan .
- 850627 10/1992 Japan .
- 1393062 5/1975 United Kingdom .
- 2147273 5/1985 United Kingdom .
- WO 90/08375 7/1990 WIPO .

Primary Examiner—Susan J. Lucas
Assistant Examiner—Jennifer Rivard
Attorney, Agent, or Firm—Finnegan, Henderson, Farabow, Garrett & Dunner, L.L.P.

[57] CLAIM

I claim the ornamental design for a lower member of an advertising carrying body for use on a filler gun, as shown and described.

DESCRIPTION

FIG. 1 is a top, front perspective from one side of the lower member of the advertising carrying body;
FIG. 2 is a bottom, side perspective view from said one side of the lower member;
FIG. 3 is a rear perspective view of the lower member;
FIG. 4 is a bottom perspective view of the lower member; and,
FIG. 5 is a top, front perspective view from the other side of said lower member.

1 Claim, 3 Drawing Sheets

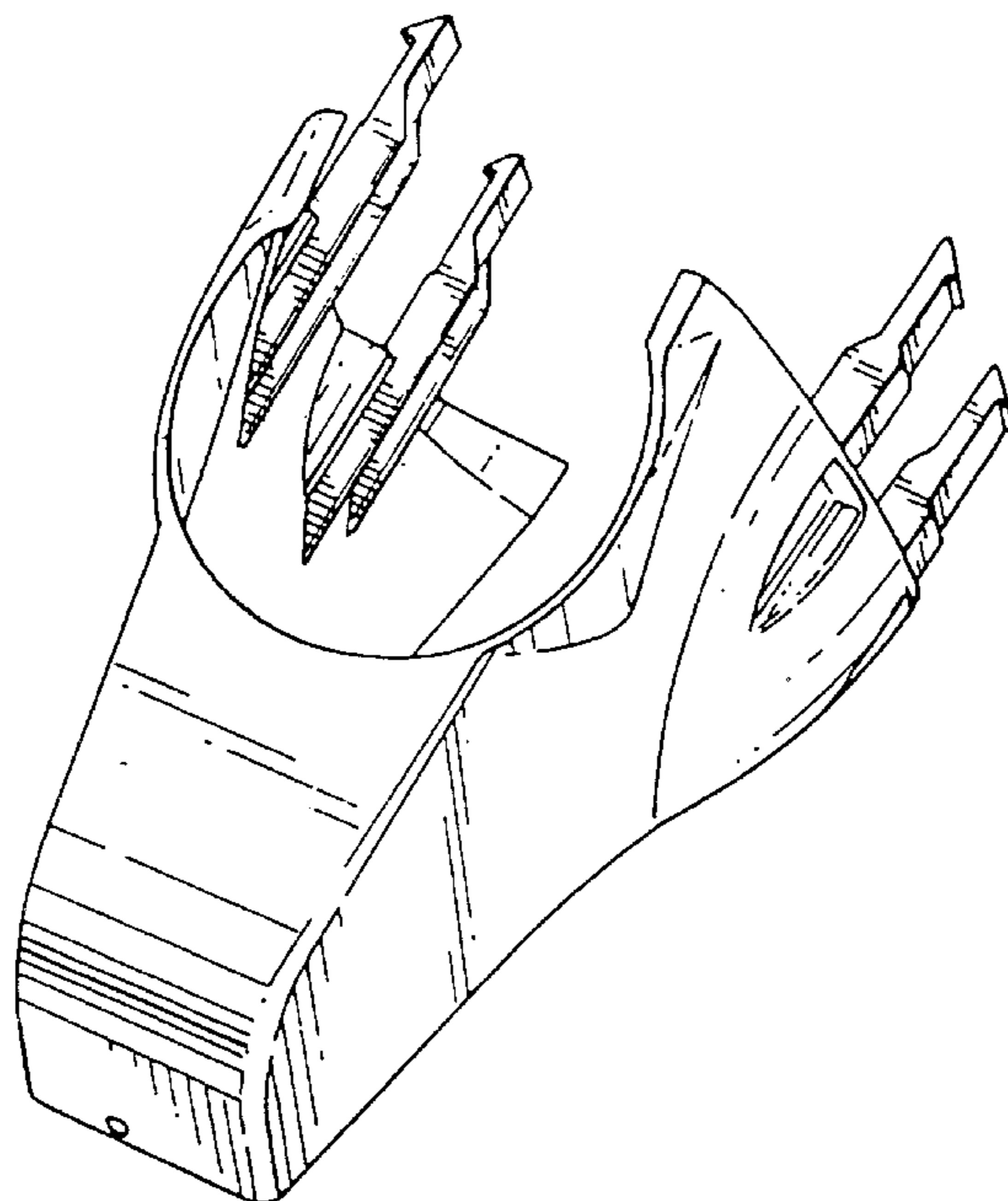


Fig. 1

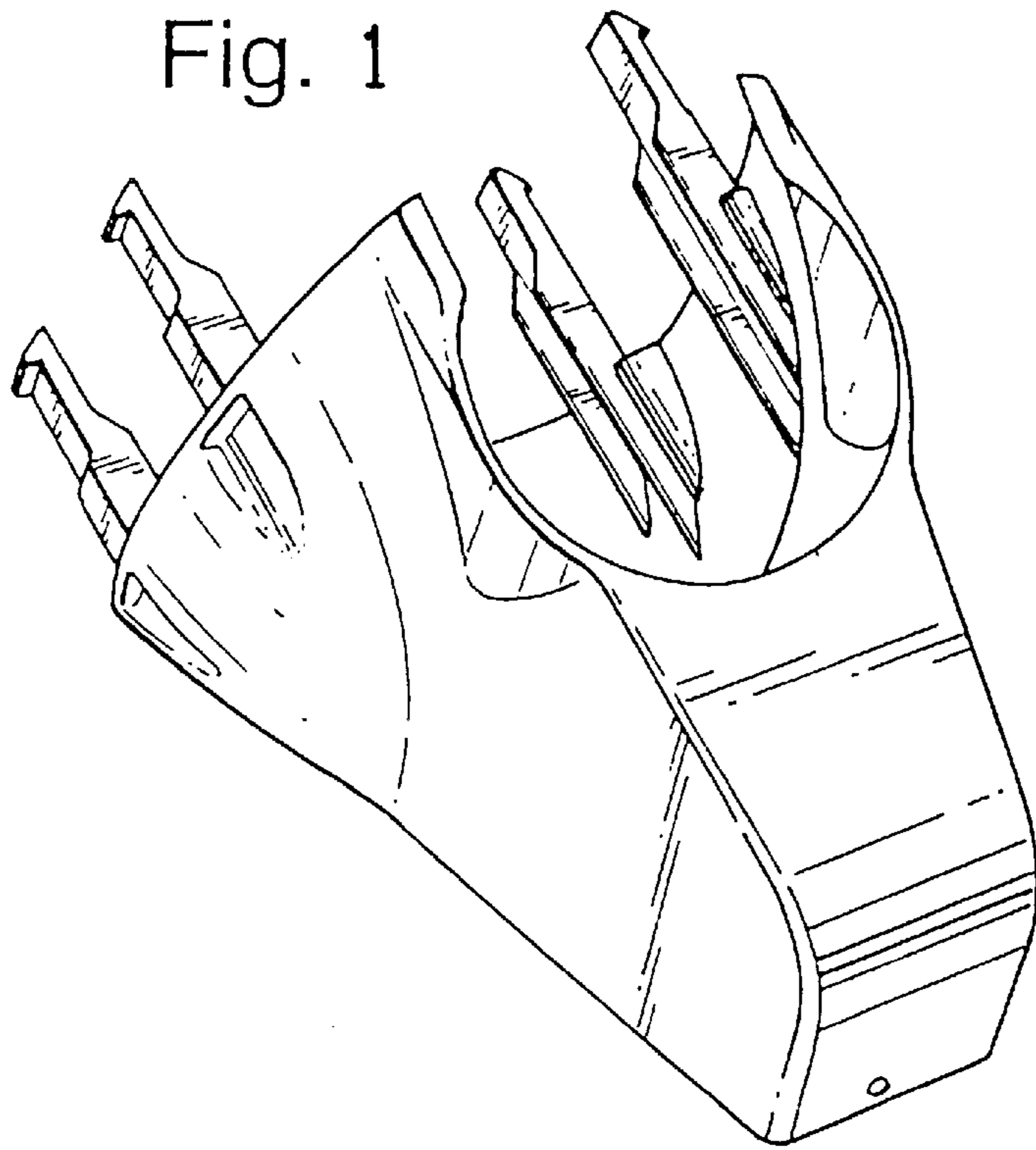


Fig. 2

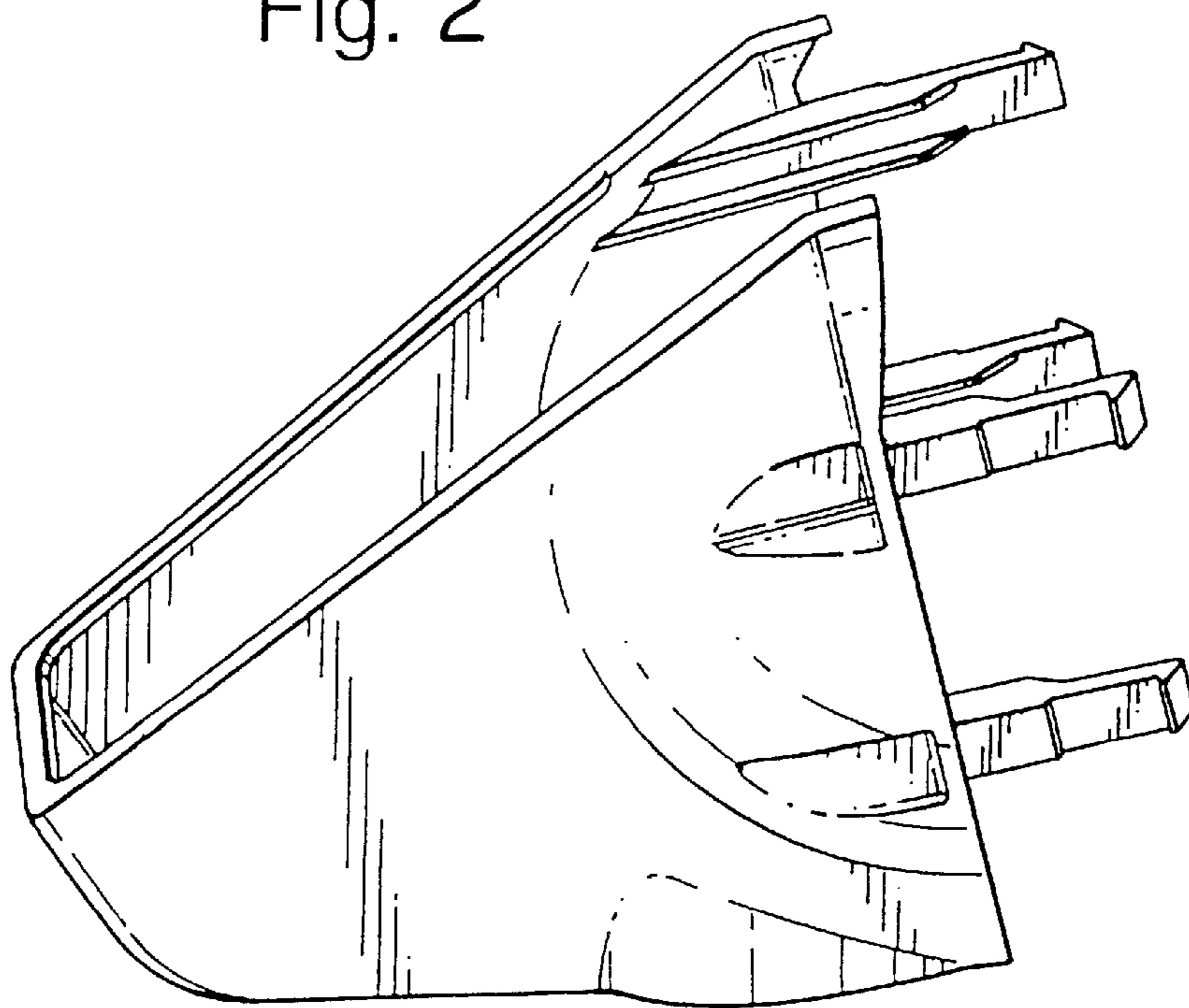


Fig. 3

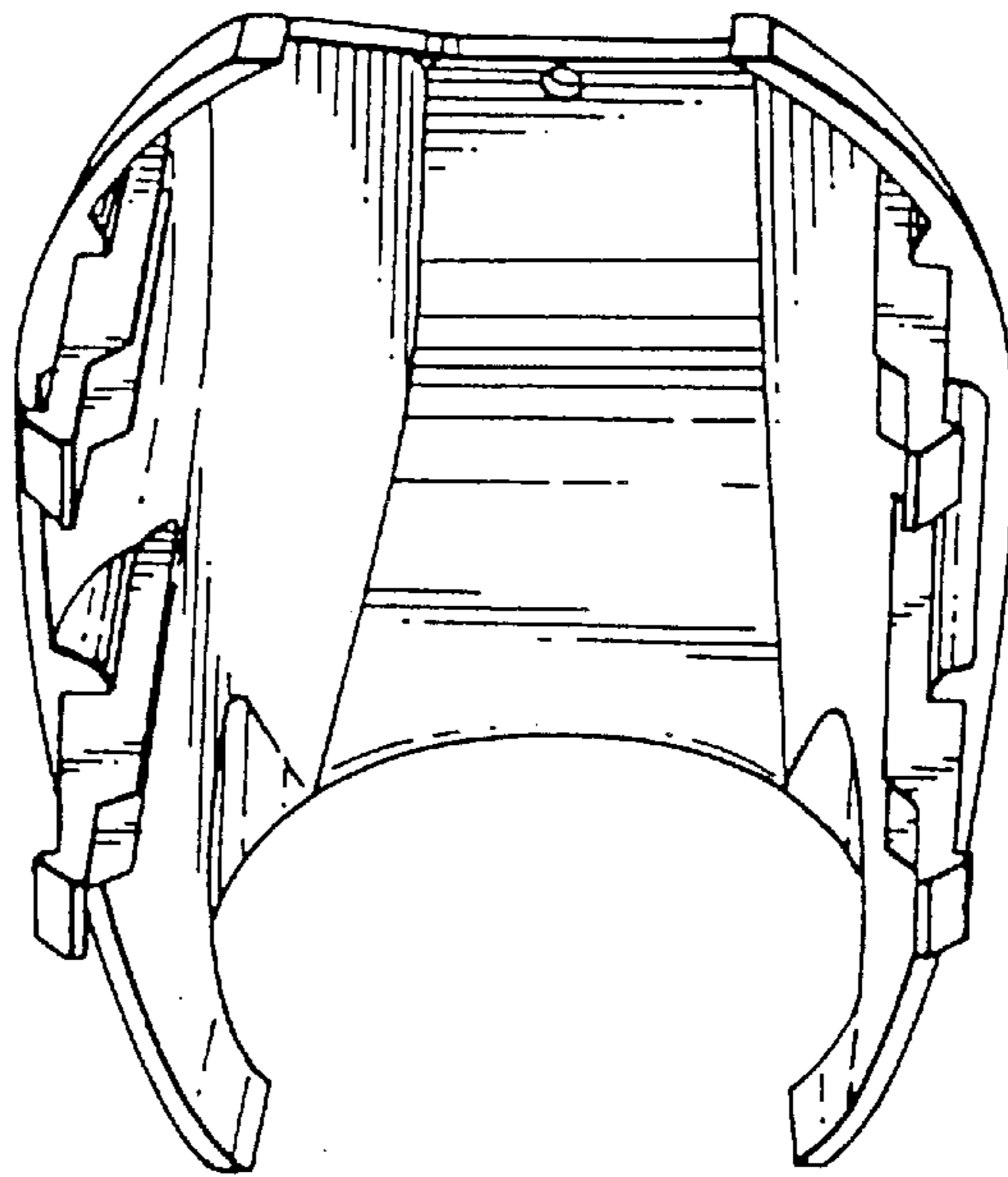


Fig. 4

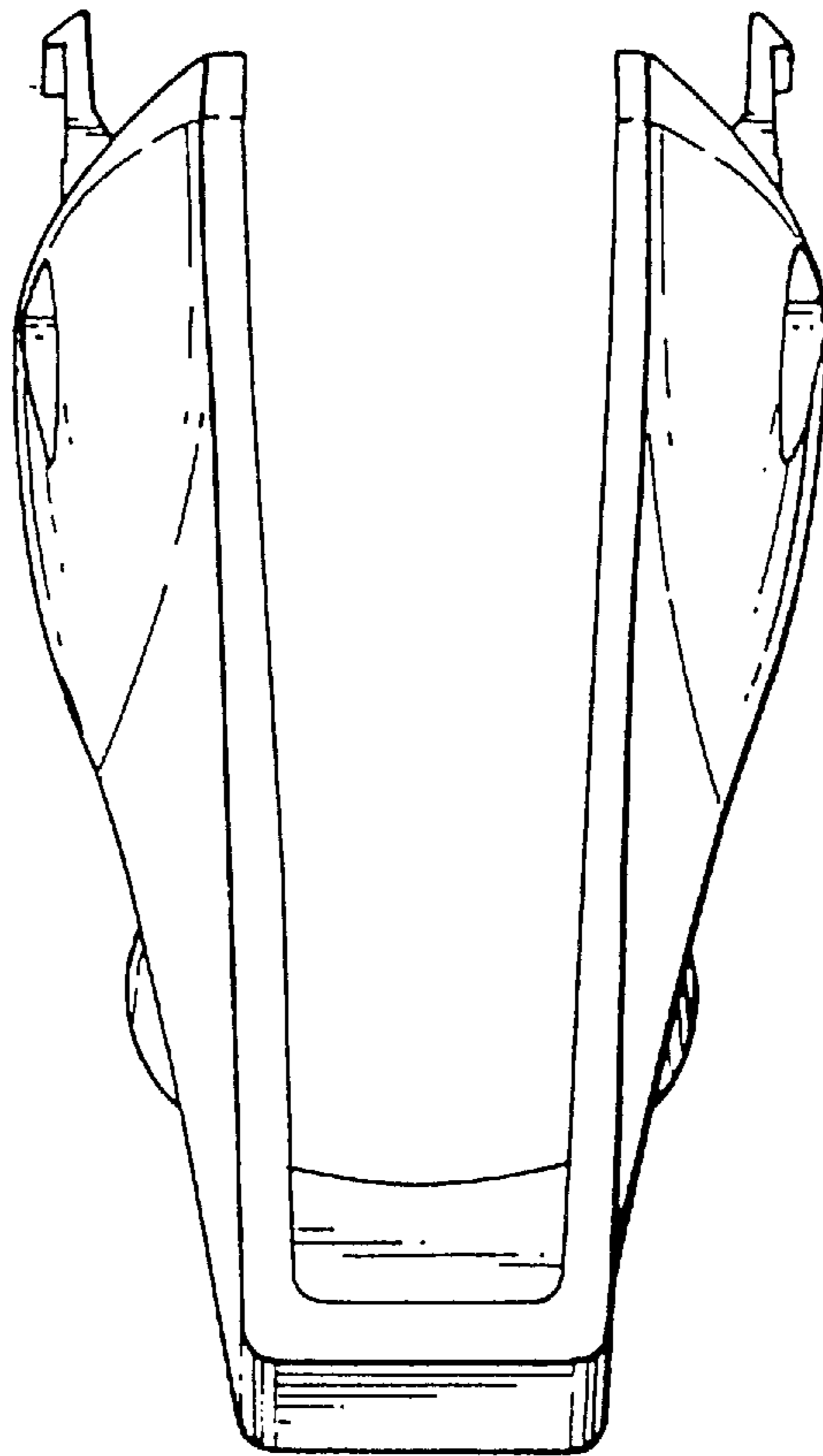


Fig. 5

