



US00D401283S

United States Patent [19] Tanaka

[11] **Patent Number: Des. 401,283**

[45] **Date of Patent: **Nov. 17, 1998**

[54] **COIN DOOR BRACKET**

4,509,631 4/1985 Kim 194/350

[75] Inventor: **Yoshinobu Tanaka**, Iwatuki, Japan

Primary Examiner—Sandra L. Morris
Attorney, Agent, or Firm—Price, Gess & Ubell

[73] Assignee: **Asahi Seiko Co., Ltd.**, Tokyo, Japan

[57] **CLAIM**

[**] Term: **14 Years**

The ornamental design for a coin door bracket, as shown and described.

[21] Appl. No.: **72,726**

[22] Filed: **Jun. 25, 1997**

DESCRIPTION

[51] **LOC (6) Cl.** **20-09**

FIG. 1 is a front perspective view of the coin door bracket showing the new design;

[52] **U.S. Cl.** **D20/9**

FIG. 2 is a top plan view of FIG. 1;

[58] **Field of Search** D20/1-9; 194/217,
194/321, 344, 345, 346, 350

FIG. 3 is a rear elevational view of FIG. 1;

FIG. 4 is a front elevational view of FIG. 1;

FIG. 5 is a bottom plan view of FIG. 1;

FIG. 6 is a left side elevational view of FIG. 1; and,

FIG. 7 is a right side elevational view of FIG. 1.

[56] **References Cited**

The broken line showing is for illustrative purposes only, and forms no part of the claimed design.

U.S. PATENT DOCUMENTS

FIGS. 2-7 are shown on an enlarged scale.

D. 351,193	10/1994	Abe	D20/9
D. 351,194	10/1994	Gorst et al.	D20/9
D. 351,421	10/1994	Abe	D20/9
3,194,378	7/1965	Greenwald	194/346

1 Claim, 4 Drawing Sheets

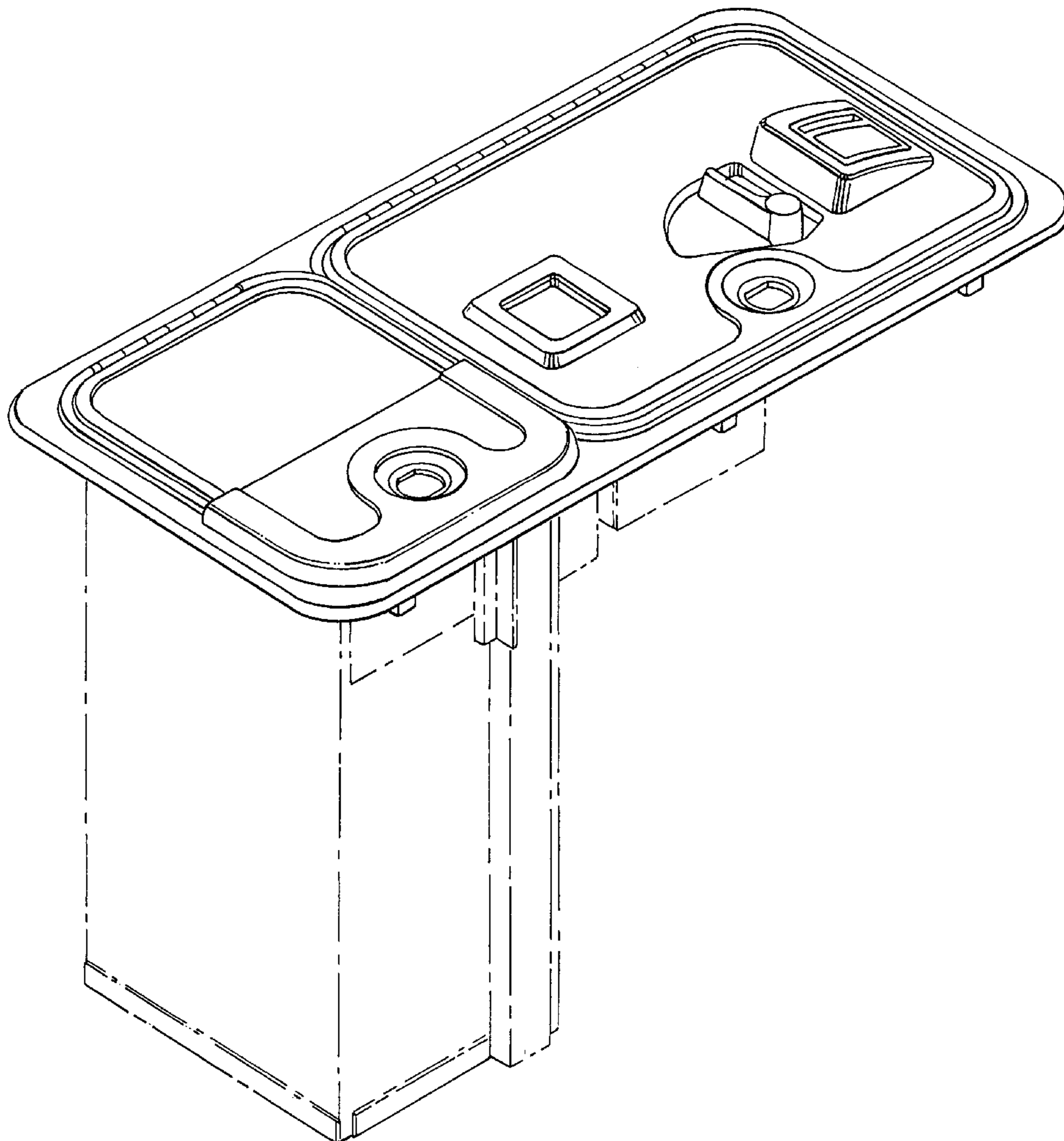


FIG. 1

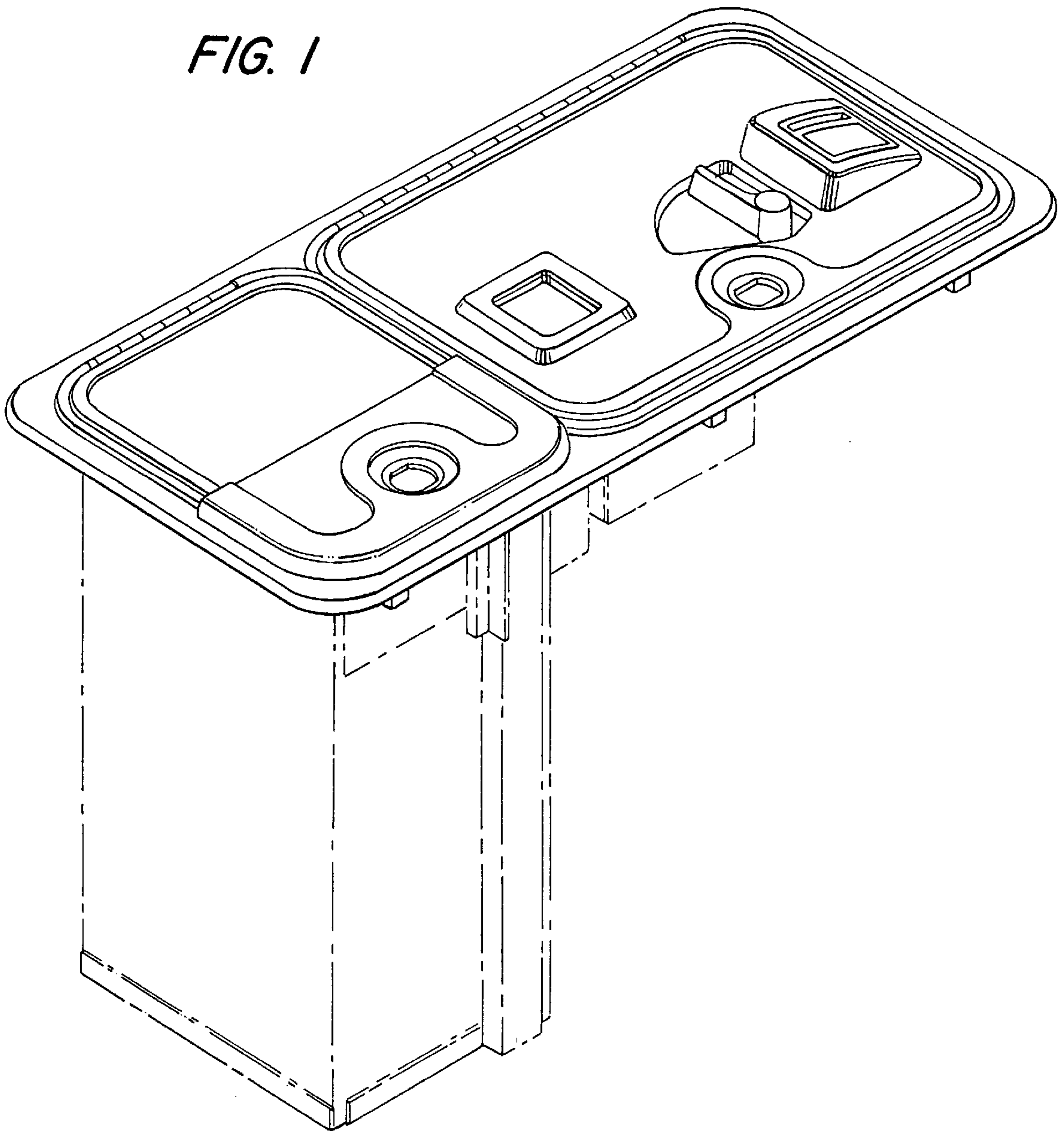


FIG. 2

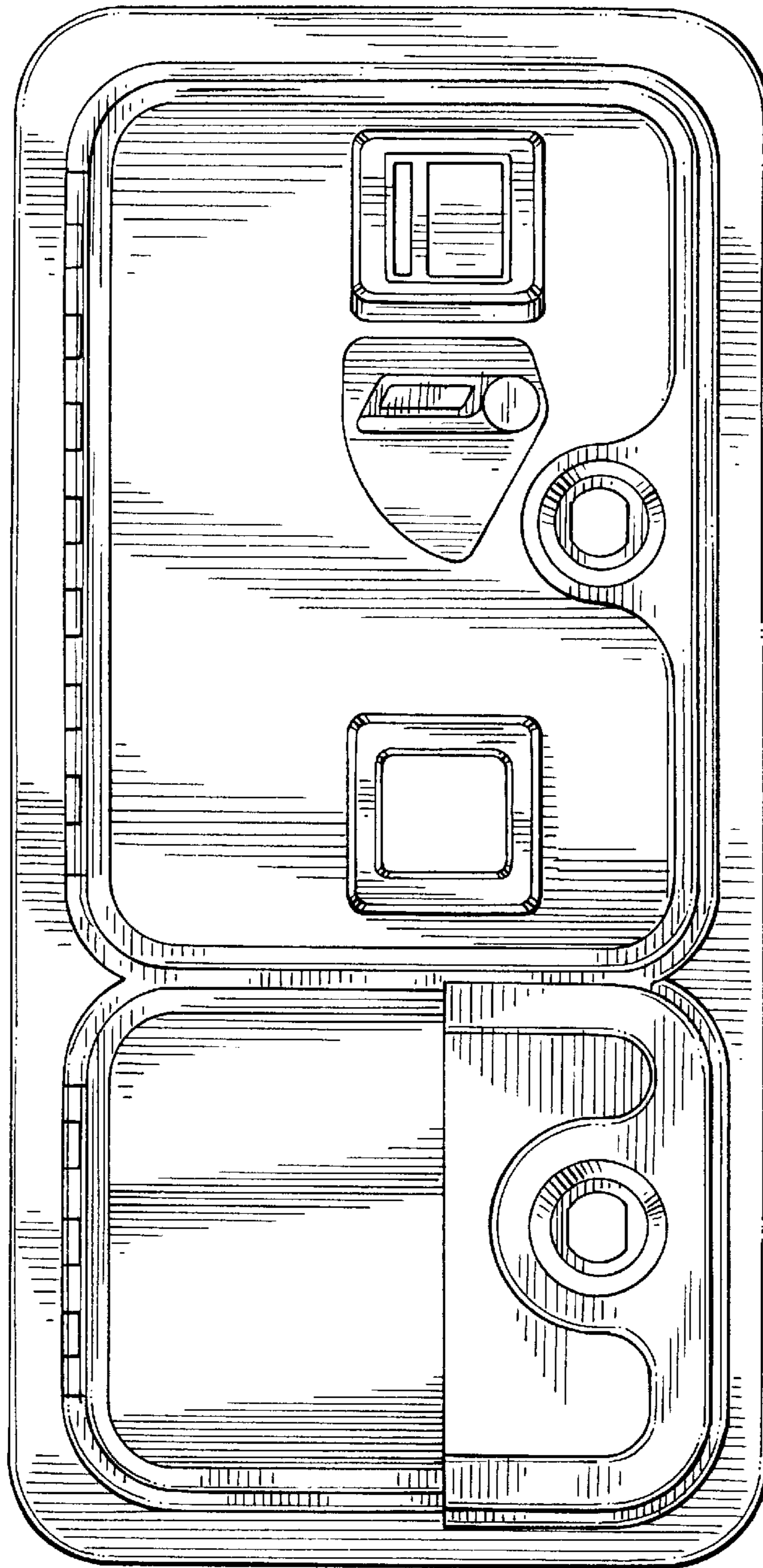


FIG. 3

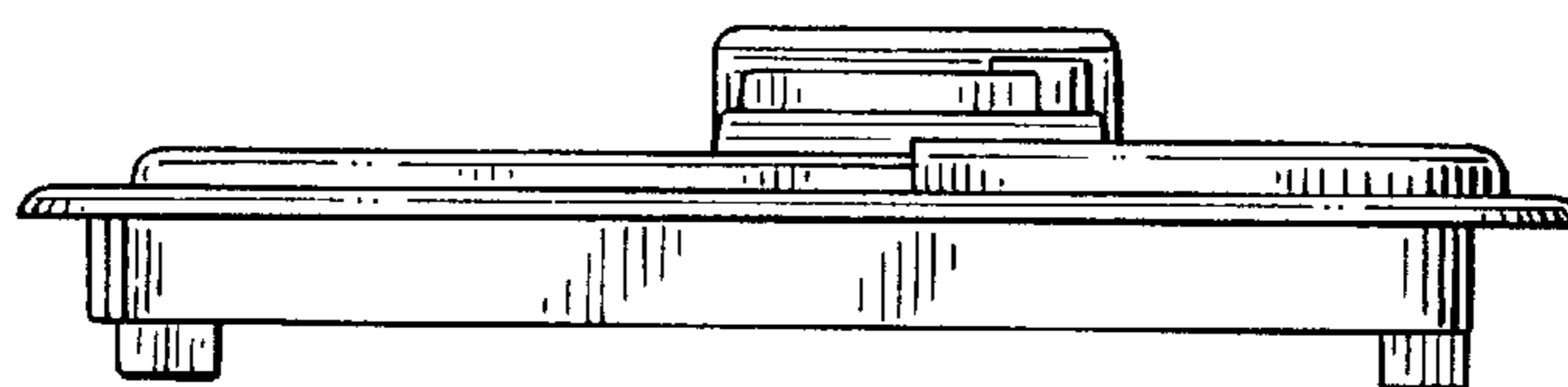


FIG. 4

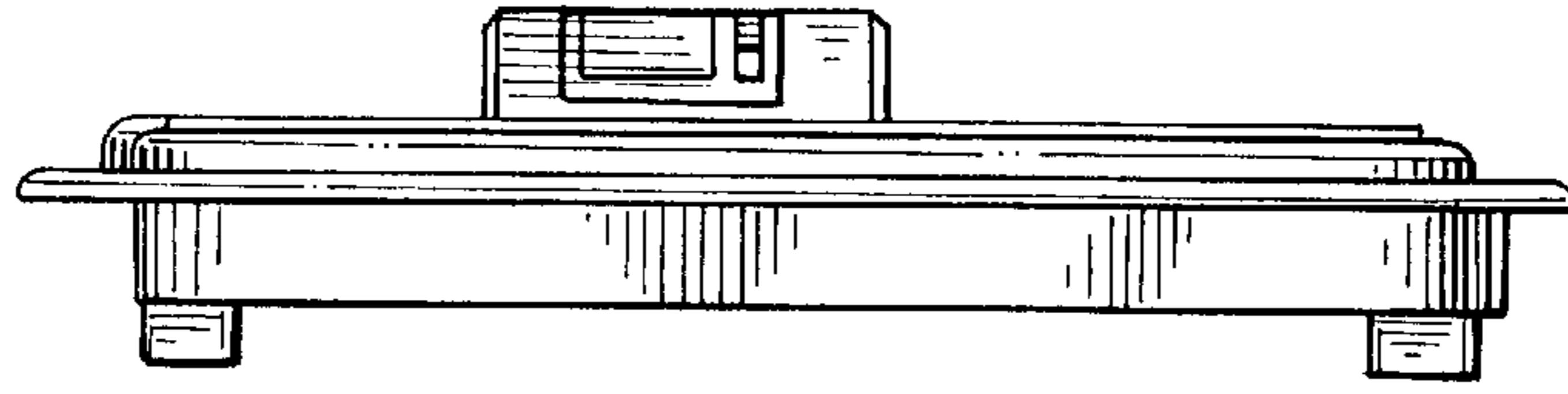


FIG. 5

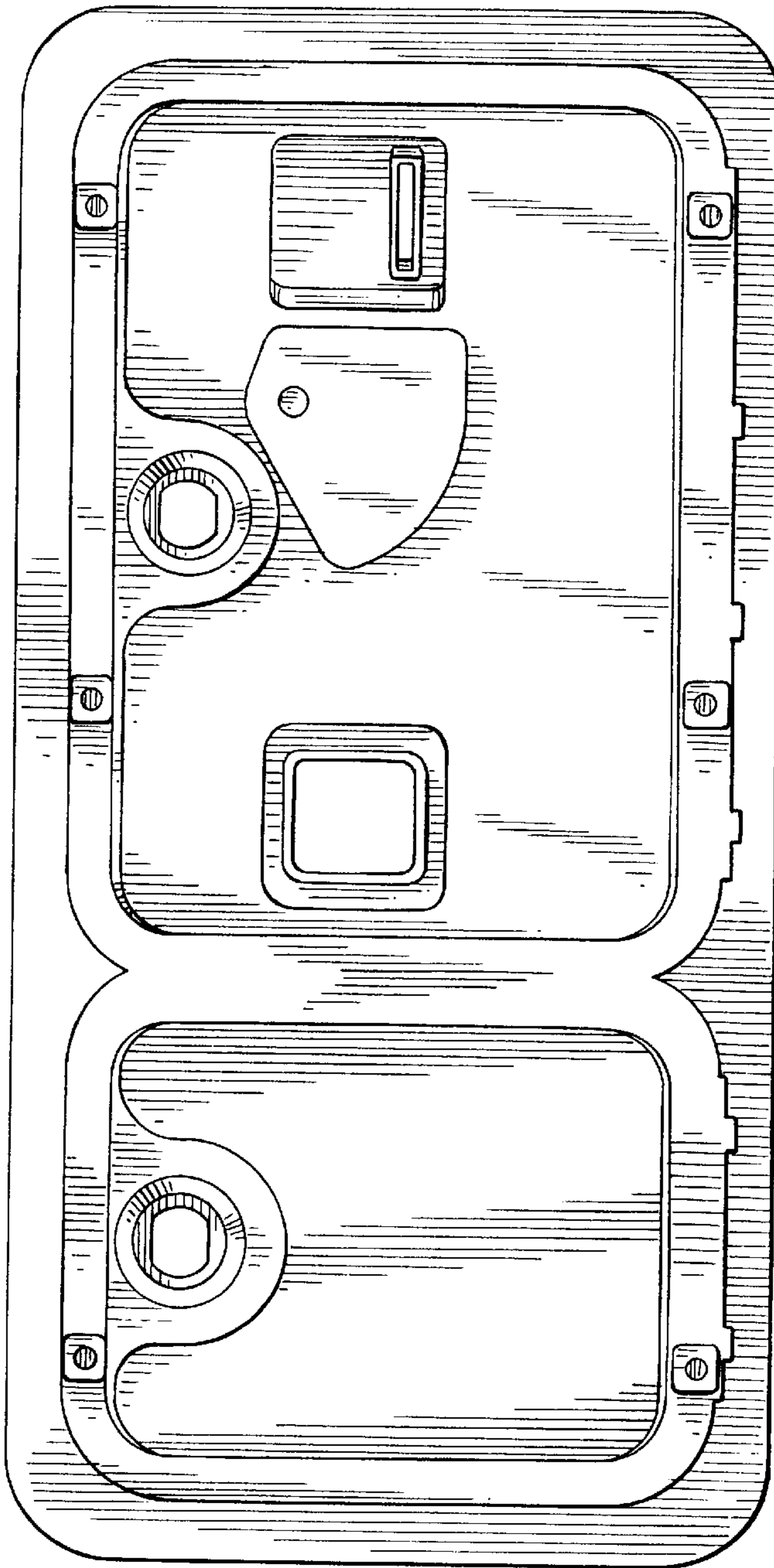


FIG. 6

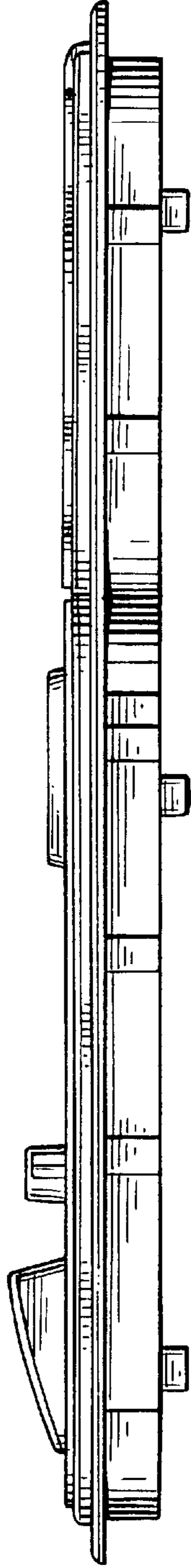


FIG. 7

