



US00D401282S

United States Patent [19]

Wang

[11] Patent Number: **Des. 401,282**

[45] Date of Patent: ****Nov. 17, 1998**

[54] STATIONERY CASE

[76] Inventor: **Wen-Yi Wang**, No. 112, Sec. 3, Min Chuan Rd., Tainan, Taiwan

[**] Term: **14 Years**

[21] Appl. No.: **77,533**

[22] Filed: **Oct. 3, 1997**

[51] LOC (6) Cl. **19-06**

[52] U.S. Cl. **D19/78; D19/35; D19/86; D3/206; D9/347**

[58] Field of Search D9/347; D3/206, D3/276; D19/35, 36, 65, 75, 78, 81-85, 100; 206/1.7, 1.8, 214, 224, 371, 555, 215

[56] **References Cited**

U.S. PATENT DOCUMENTS

| | | | |
|------------|---------|---------------------|-----------|
| D. 236,556 | 8/1975 | DiPaola et al. | D9/347 X |
| D. 338,496 | 8/1993 | Tarozzi | D19/85 |
| D. 383,303 | 9/1997 | Murphy | D3/206 |
| 3,280,966 | 10/1966 | Boniface | 206/1.7 |
| 3,352,616 | 11/1967 | Linger | 206/1.7 X |

| | | | |
|-----------|---------|---------------------|---------|
| 3,777,418 | 12/1973 | Cooper | 206/1.8 |
| 3,827,551 | 8/1974 | Croft | 206/214 |
| 4,304,330 | 12/1981 | Winkler et al. | 206/214 |
| 4,335,812 | 6/1982 | Koves | 206/1.8 |

Primary Examiner—Martie Thompson
Attorney, Agent, or Firm—Bacon & Thomas

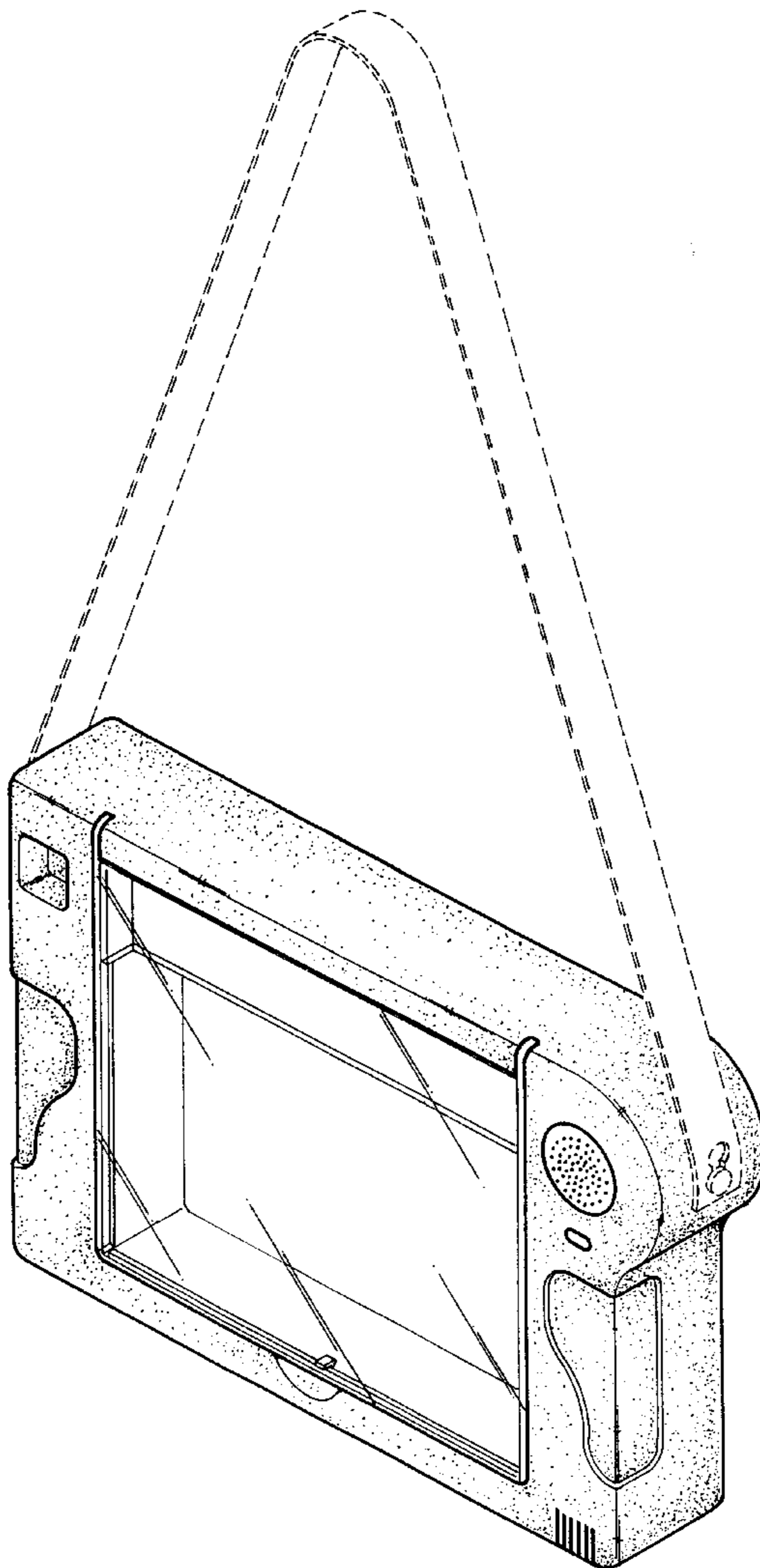
[57] **CLAIM**

The ornamental design for a stationery case, as shown and described.

DESCRIPTION

FIG. 1 is a front, right and top perspective view of a stationery case showing my new design;
FIG. 2 is a front view thereof;
FIG. 3 is a rear view thereof;
FIG. 4 is a left side elevational view thereof;
FIG. 5 is a right side elevational view thereof;
FIG. 6 is a top plan view thereof; and,
FIG. 7 is a bottom plan view thereof.
The broken lines in FIG. 1 are environmental only and form no part of the claimed design.

1 Claim, 3 Drawing Sheets



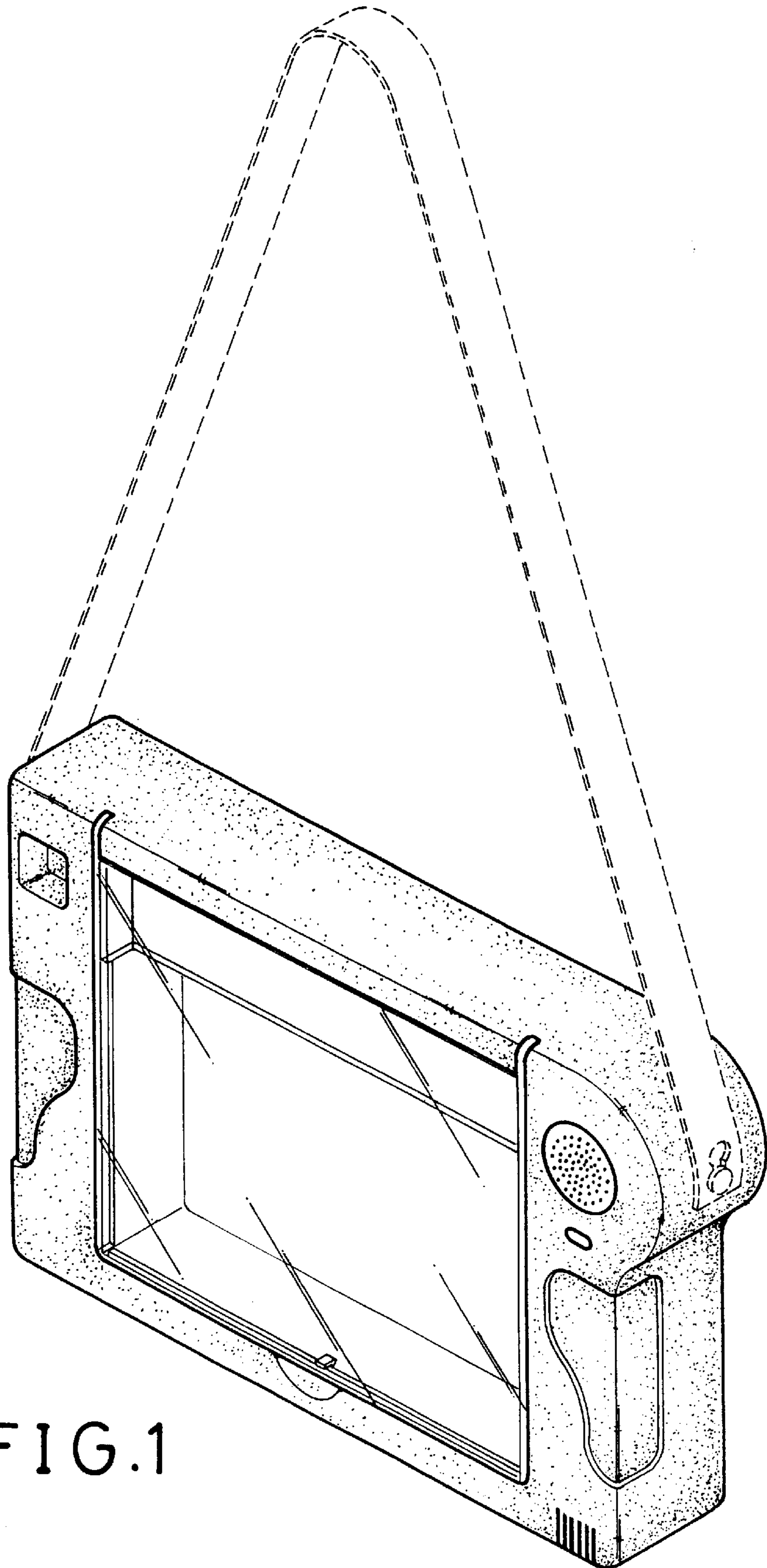


FIG. 1

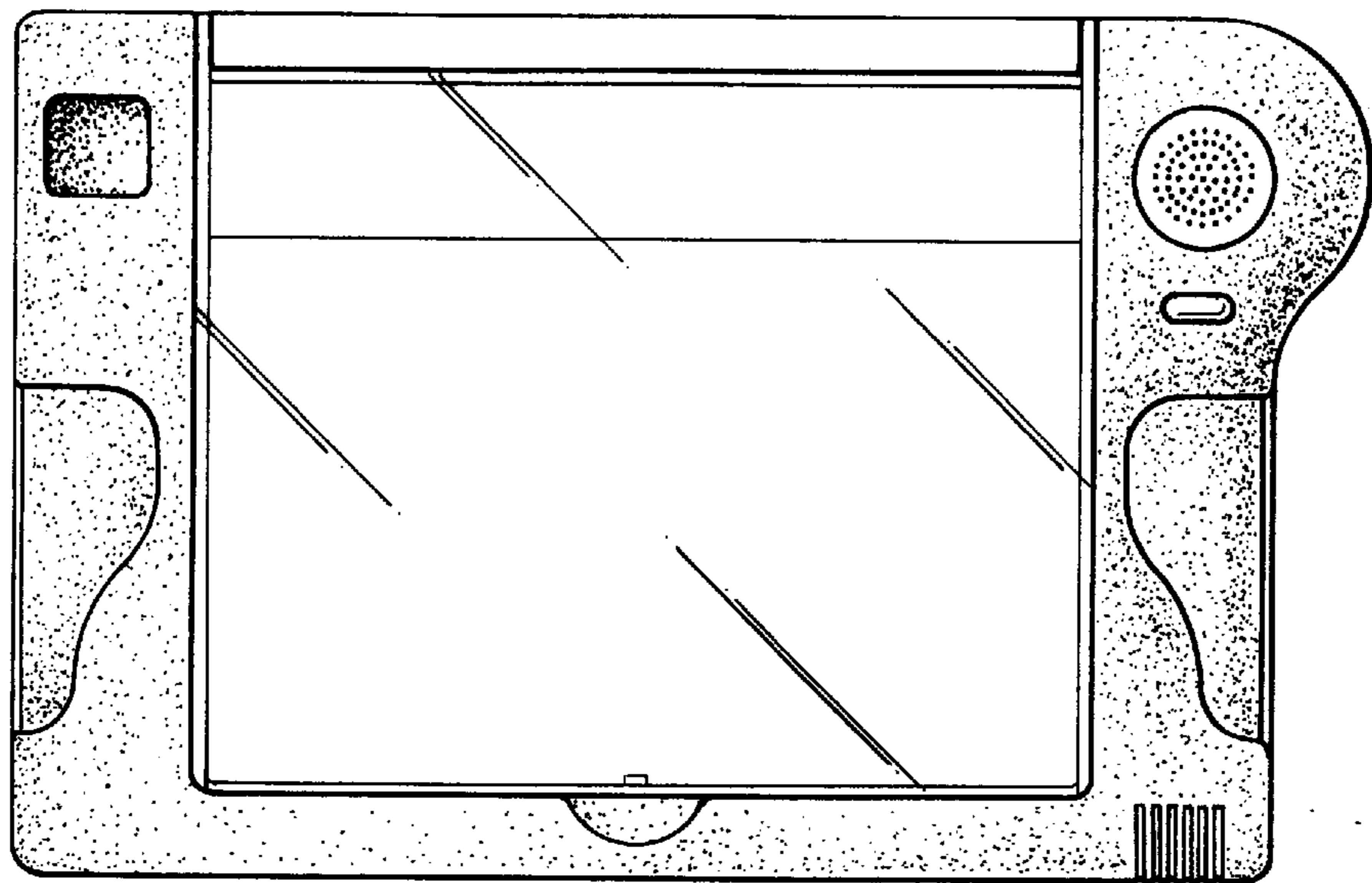


FIG. 2

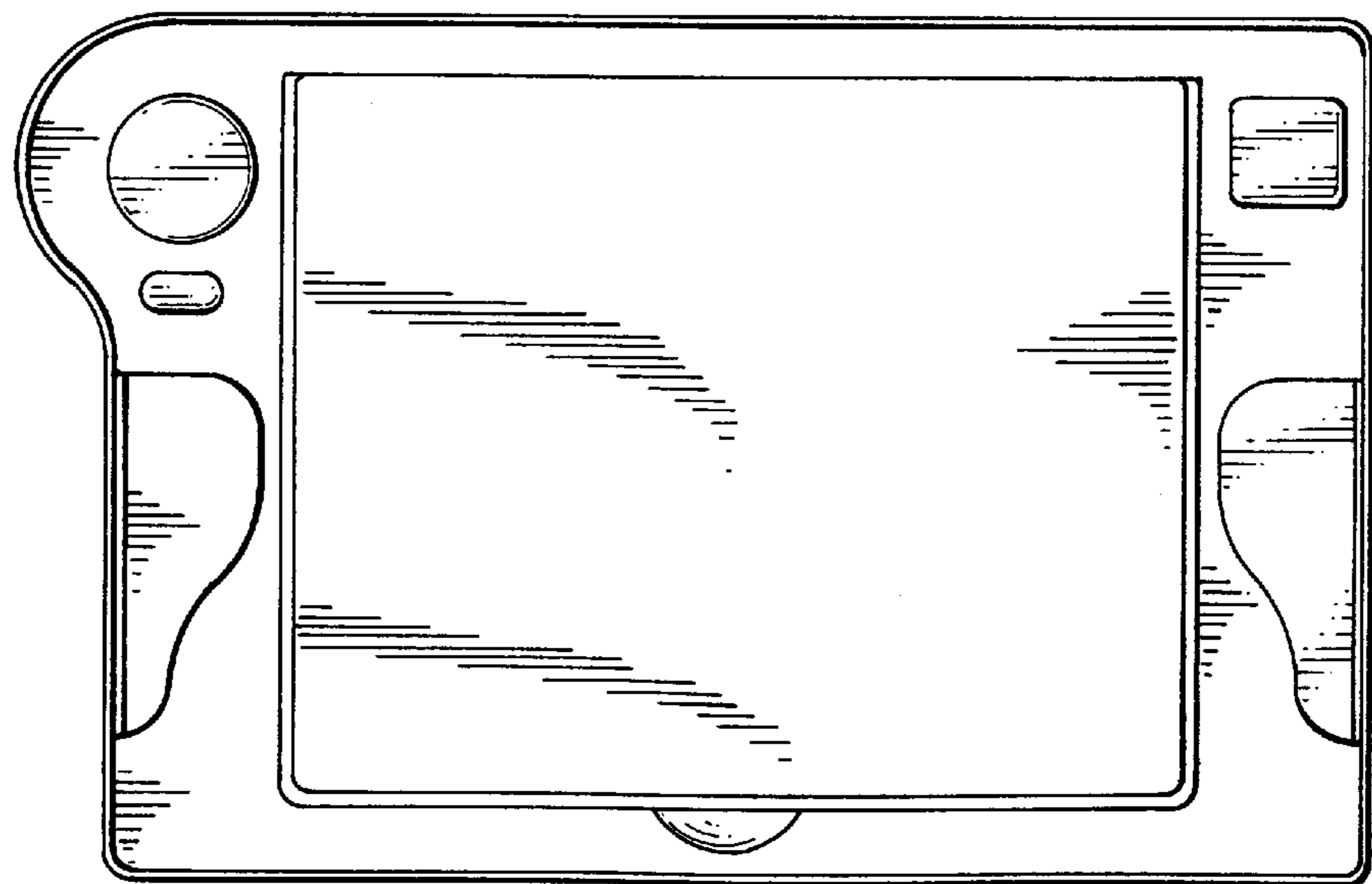


FIG. 3

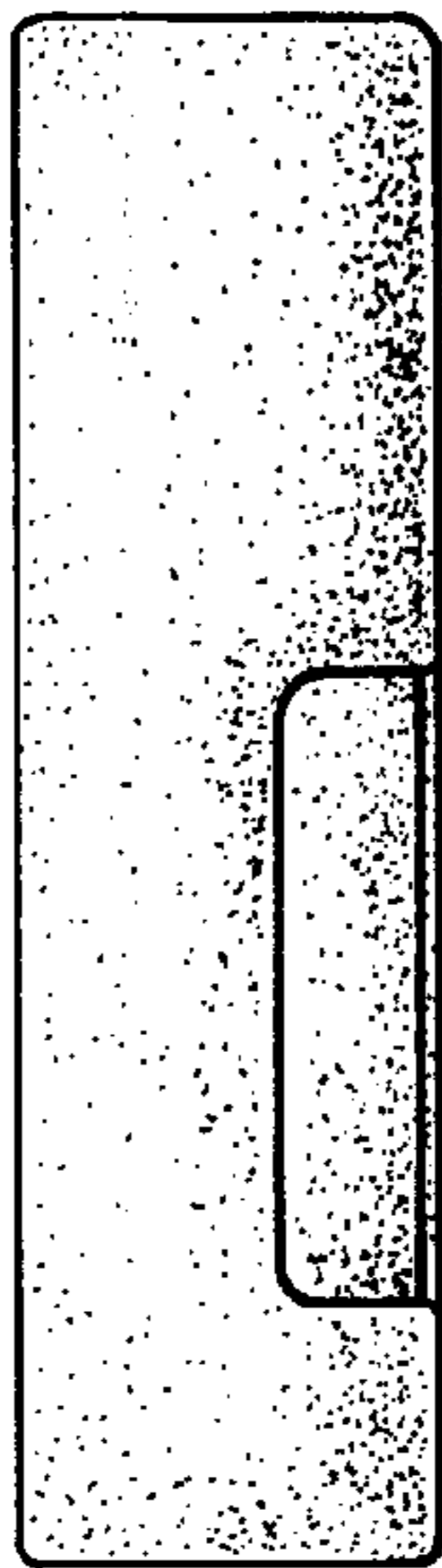


FIG. 4



FIG. 5

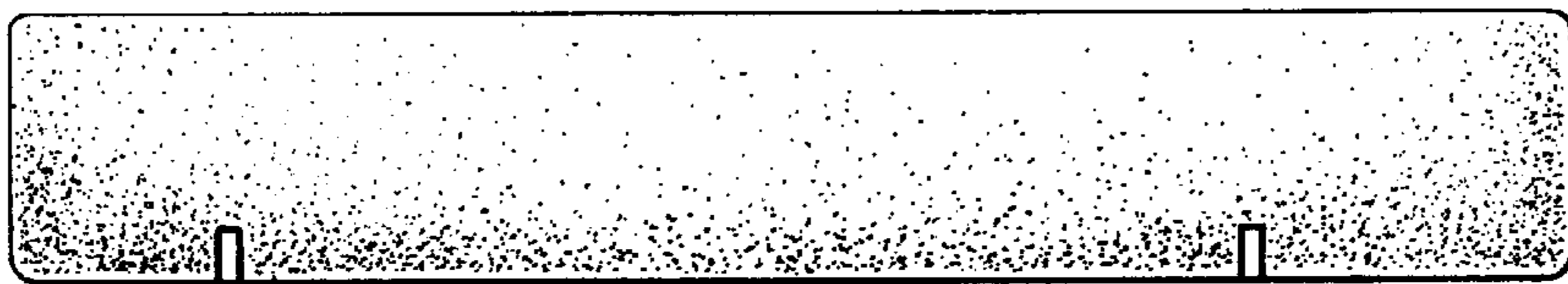


FIG. 6

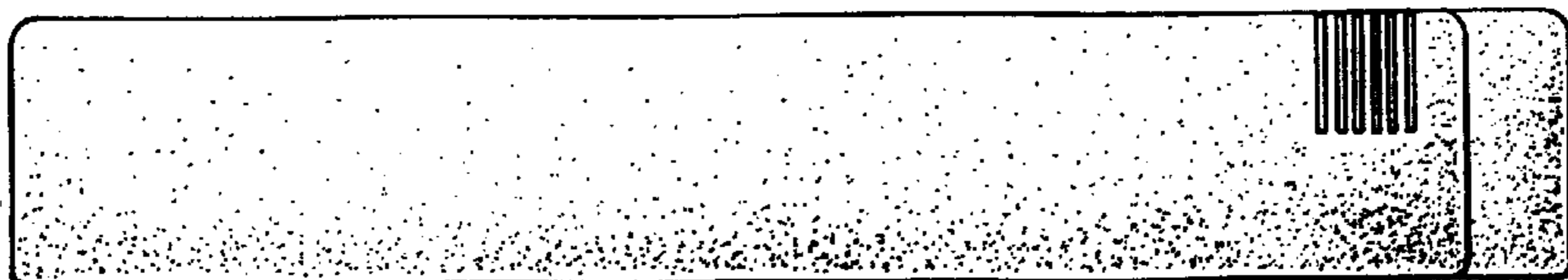


FIG. 7