



US00D401281S

United States Patent [19] Huerta

[11] **Patent Number: Des. 401,281**

[45] **Date of Patent: **Nov. 17, 1998**

[54] **HAND HELD MASKING DEVICE FRAME**

[76] Inventor: **Joe A. Huerta**, 12634 S. 35th Pl.,
Phoenix, Ariz. 85044

[**] Term: **14 Years**

[21] Appl. No.: **61,860**

[22] Filed: **Nov. 1, 1996**

[51] **LOC (6) Cl. 19-06**

[52] **U.S. Cl. D19/69; D8/14; D19/67**

[58] **Field of Search D8/14, 359; 225/77,
225/80; 156/527, 577; D19/67-69**

[56] **References Cited**

U.S. PATENT DOCUMENTS

Re. 30,787	11/1981	Pool et al.	156/527
D. 361,088	8/1995	Poole	D19/69
D. 369,832	5/1996	Poole	D19/69
3,950,214	4/1976	Pool et al.	156/527
4,588,469	5/1986	Hunter	156/527
4,667,891	5/1987	Pool	156/527 X
4,915,769	4/1990	Heil et al.	156/527
5,445,703	8/1995	Steeves et al.	156/527

Primary Examiner—Sandra L. Morris
Assistant Examiner—Richelle Shelton
Attorney, Agent, or Firm—Parsons & Goltry; Robert A. Parsons; Michael W. Goltry

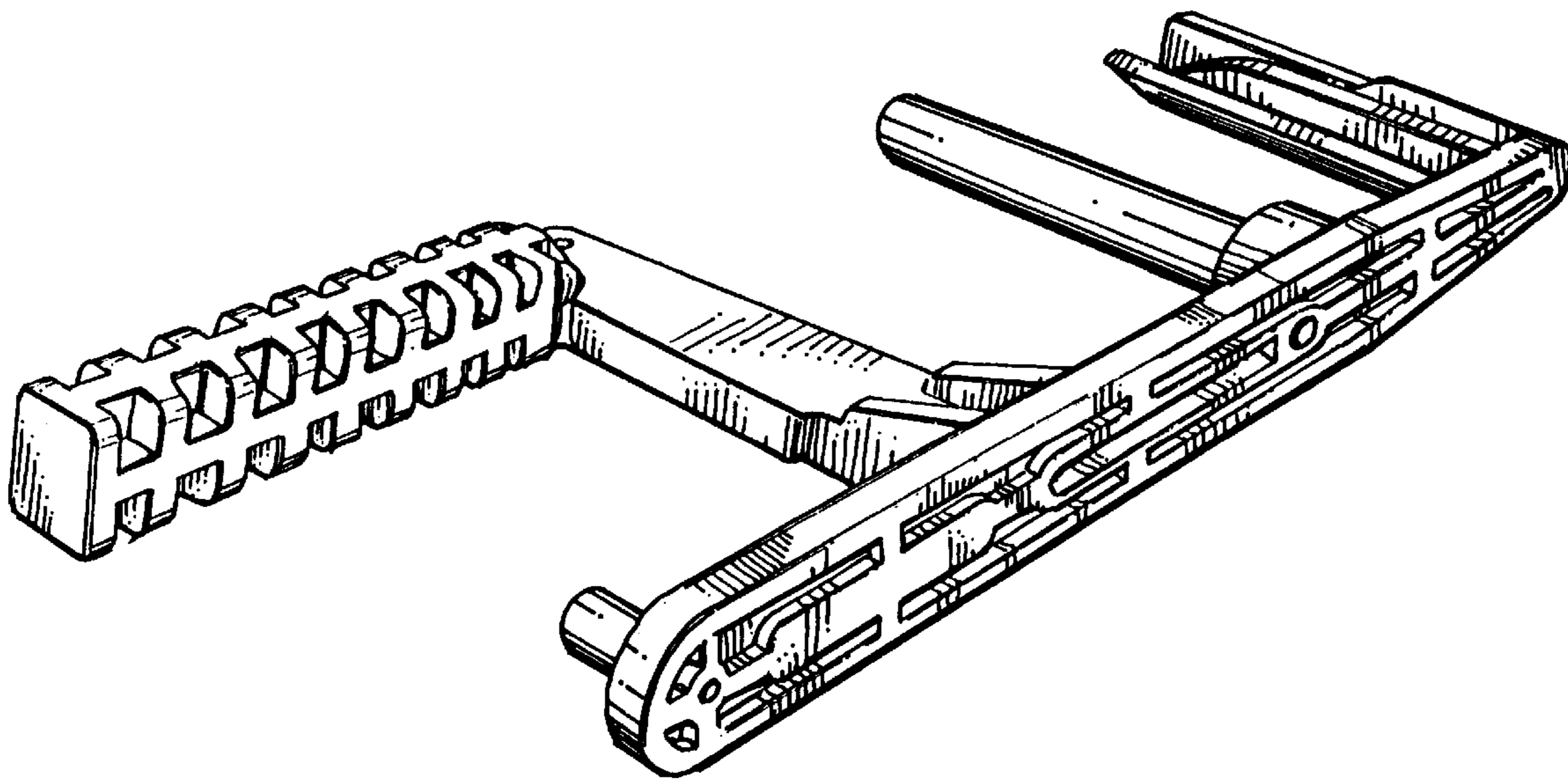
[57] **CLAIM**

The ornamental design for a hand held masking device frame, as shown and described.

DESCRIPTION

FIG. 1 is a perspective view of a hand held masking device frame, showing my new design therefor;
FIG. 2 is a top plan view of the hand held masking device frame;
FIG. 3 is a left side elevational view of the hand held masking device frame;
FIG. 4 is a front view of the hand held masking device frame;
FIG. 5 is a rear view of the hand held masking device frame;
FIG. 6 is a bottom plan view of the hand held masking device frame; and,
FIG. 7 is a right side elevational view of the hand held masking device frame.

1 Claim, 2 Drawing Sheets



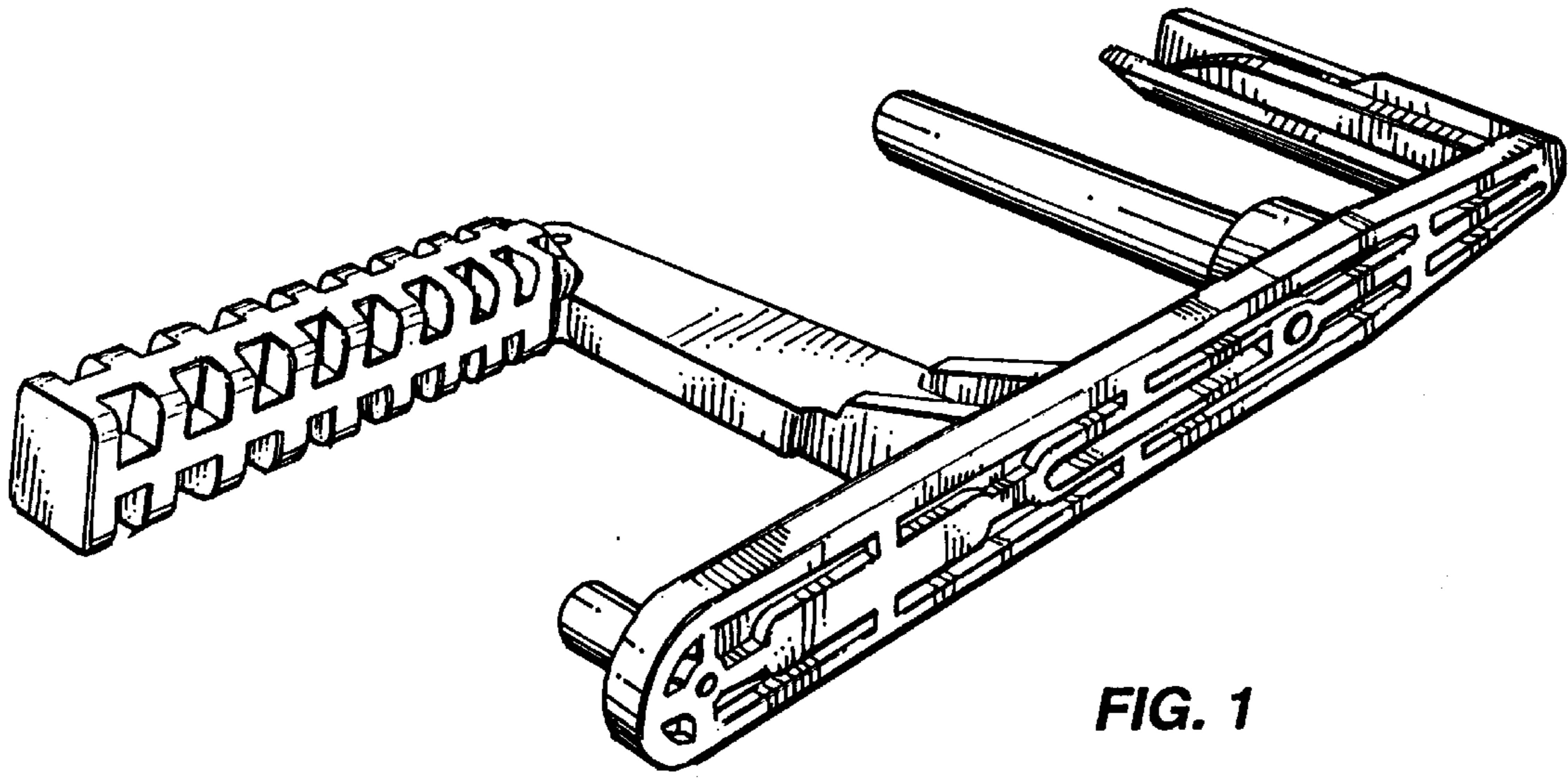


FIG. 1

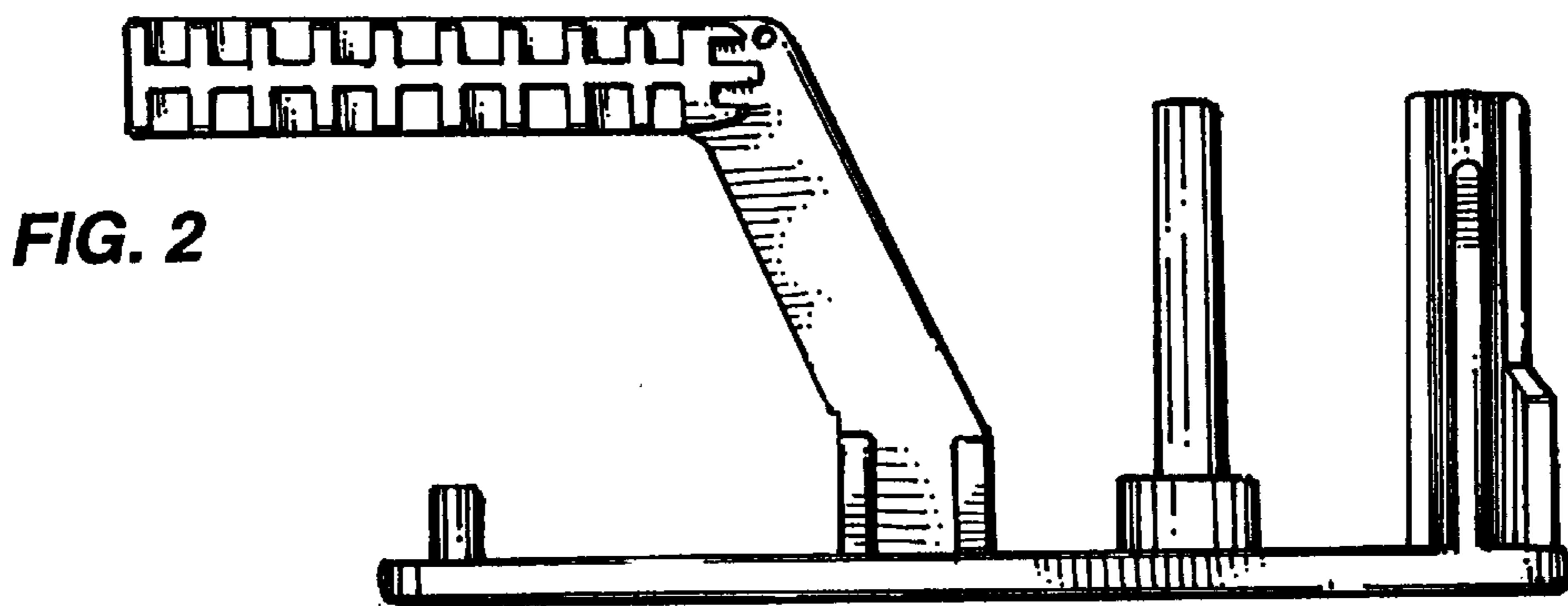


FIG. 2

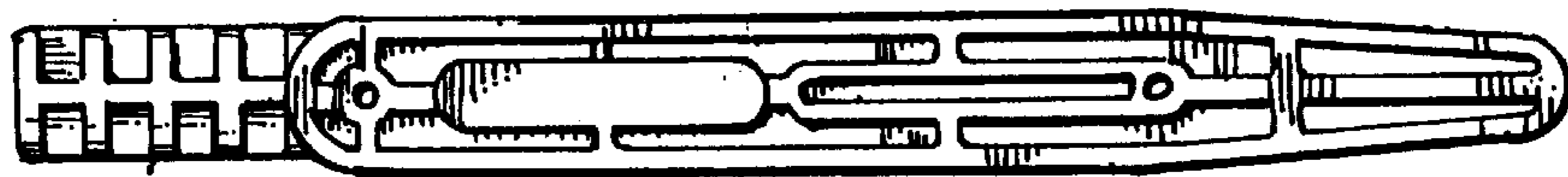


FIG. 3



FIG. 4



FIG. 5

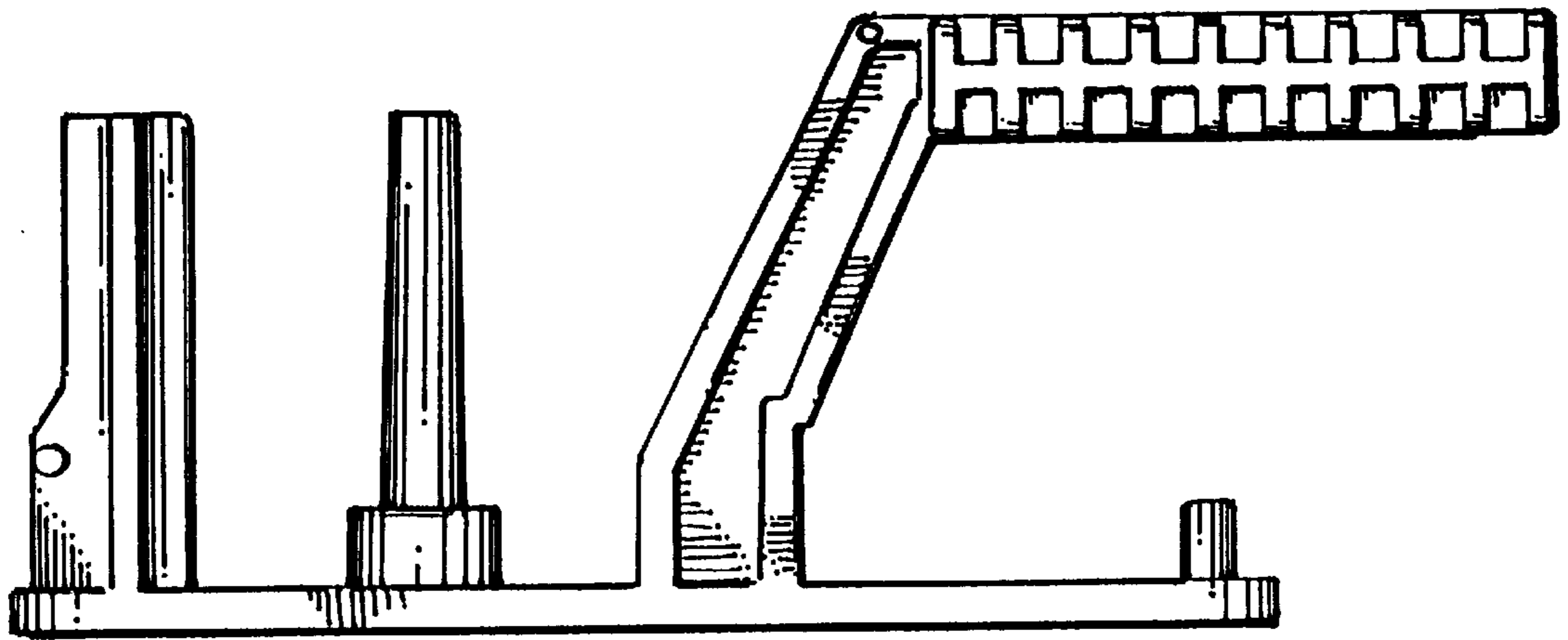


FIG. 6

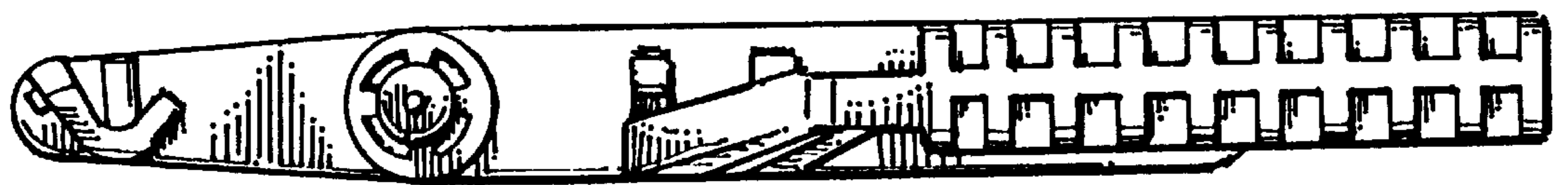


FIG. 7