



US00D401280S

United States Patent [19]
Chevalier et al.

[11] **Patent Number: Des. 401,280**
[45] **Date of Patent: **Nov. 17, 1998**

[54] **CAP FOR WRITING INSTRUMENTS**

[75] Inventors: **Jean Francois Chevalier**, Paris, France; **Craig Stevens**, Bethany, Conn.; **Christine E. Weigand**, Milford, Conn.; **Richard Williams**, Cheshire, Conn.

[73] Assignee: **Bic Corporation**, Milford, Conn.

[**] Term: **14 Years**

[21] Appl. No.: **83,752**

[22] Filed: **Feb. 17, 1998**

Related U.S. Application Data

[62] Division of Ser. No. 74,302, Jul. 31, 1997.

[51] **LOC (6) Cl.** **19-06**

[52] **U.S. Cl.** **D19/57; D19/51; D19/56**

[58] **Field of Search** **D19/35, 36, 41-51, D19/53-56, 57, 58, 81-85; 401/109, 213, 202, 243-247, 116**

[56] **References Cited**

U.S. PATENT DOCUMENTS

D. 248,865 8/1978 Sussman et al. D19/43

D. 310,684	9/1990	Itoh	D19/57
D. 317,324	6/1991	Chuang	D19/57
D. 322,629	12/1991	Hayes	D19/36
D. 340,069	10/1993	Garry	D19/57
D. 340,476	10/1993	Hiromori	D19/51
D. 351,417	10/1994	Oka	D19/57
D. 359,759	6/1995	Otake	D19/56 X
3,672,783	6/1972	Bajusz	401/116
3,792,931	2/1974	Ganz	401/109
5,066,156	11/1991	Petrillo et al.	401/213

Primary Examiner—Martie Thompson
Attorney, Agent, or Firm—Pennie & Edmonds LLP

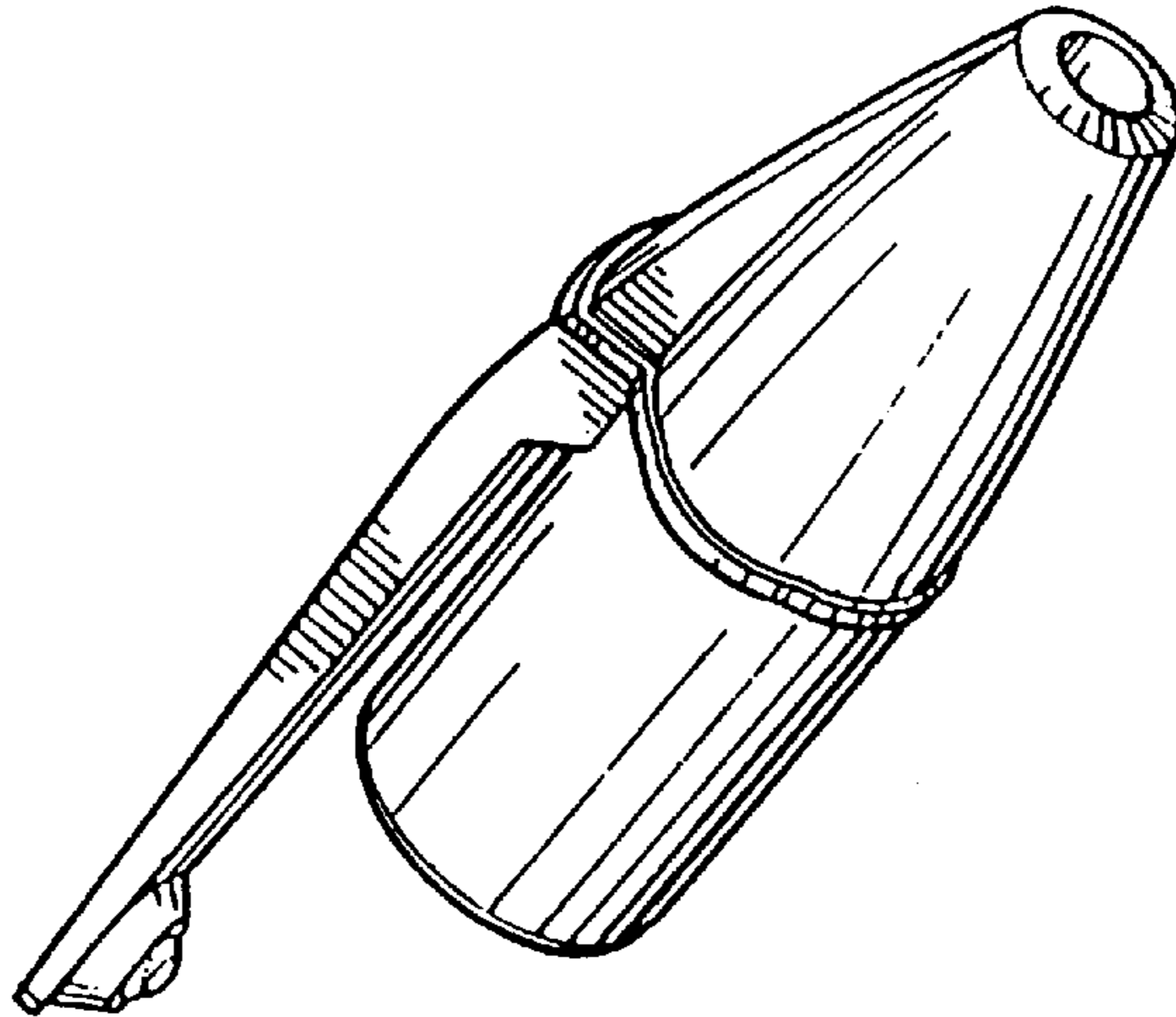
[57] **CLAIM**

The ornamental design for a cap for writing instruments, as shown and described.

DESCRIPTION

FIG. 1 is a perspective view of a cap for writing instruments, showing our new design, taken from the top right side; FIG. 2 is a front elevational view thereof; FIG. 3 is a rear elevational view thereof; FIG. 4 is a right side elevational view thereof, the left side elevational view being a mirror image thereto; FIG. 5 is a top plan view thereof; and, FIG. 6 is a bottom plan view thereof.

1 Claim, 3 Drawing Sheets



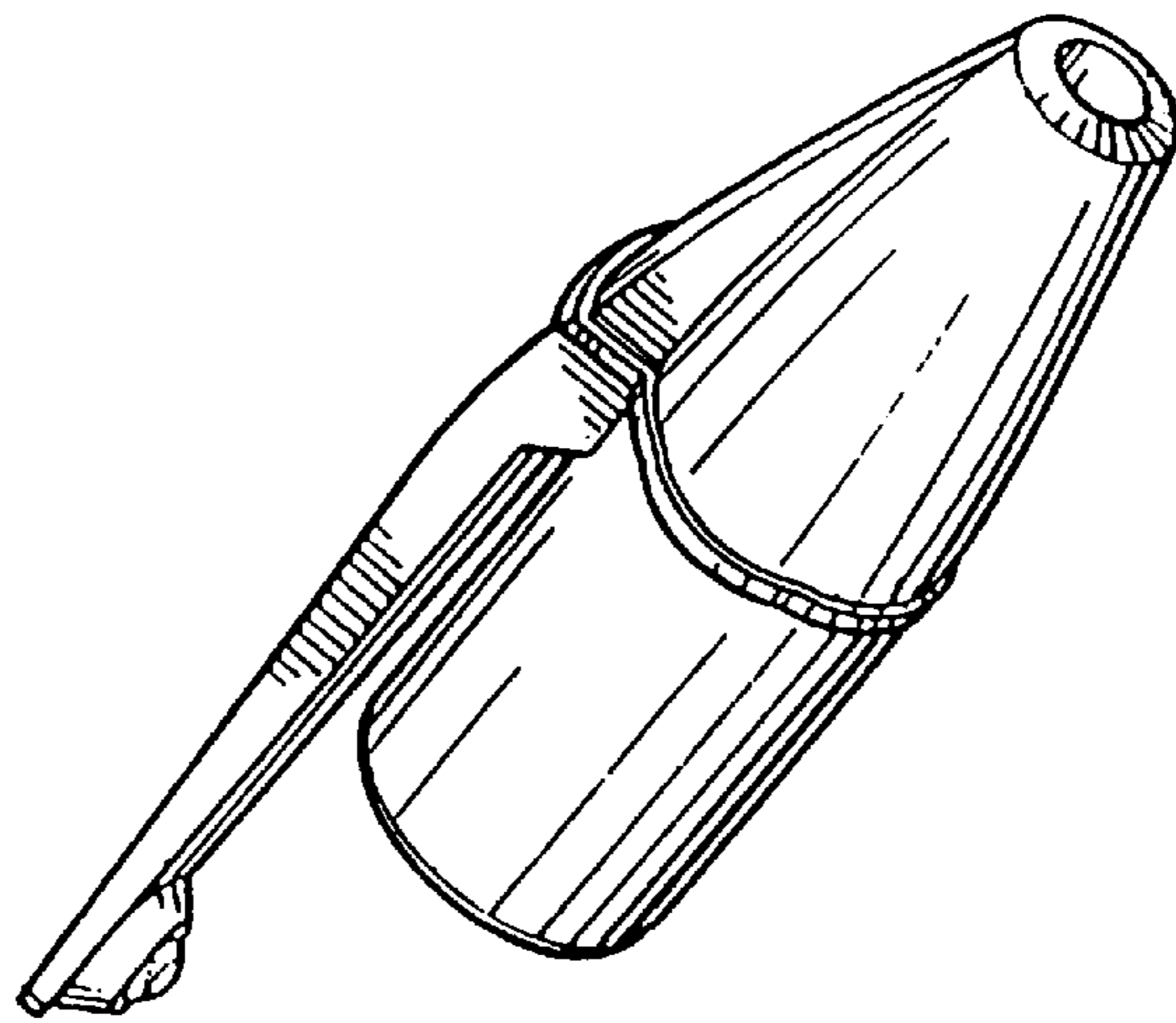


FIG. 1

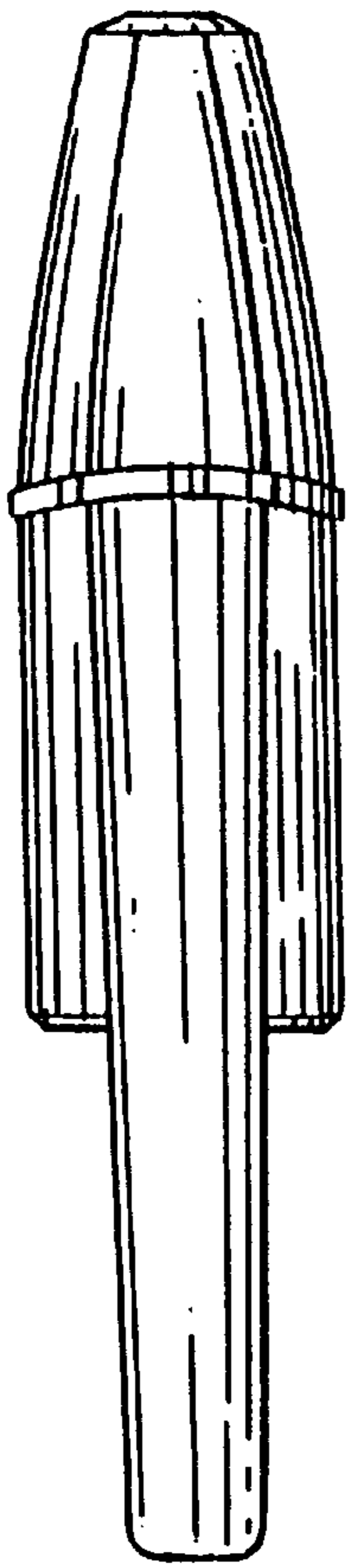


FIG. 2

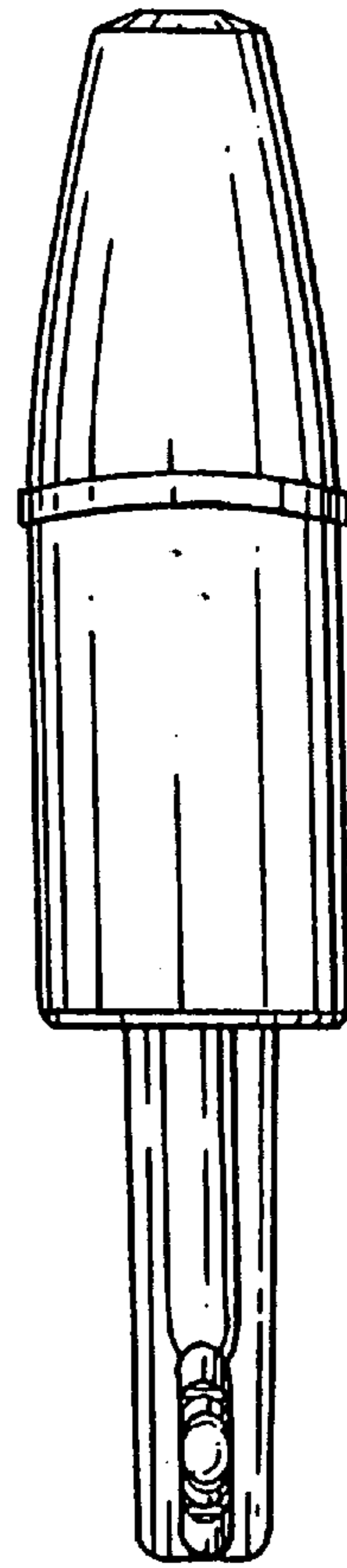


FIG. 3

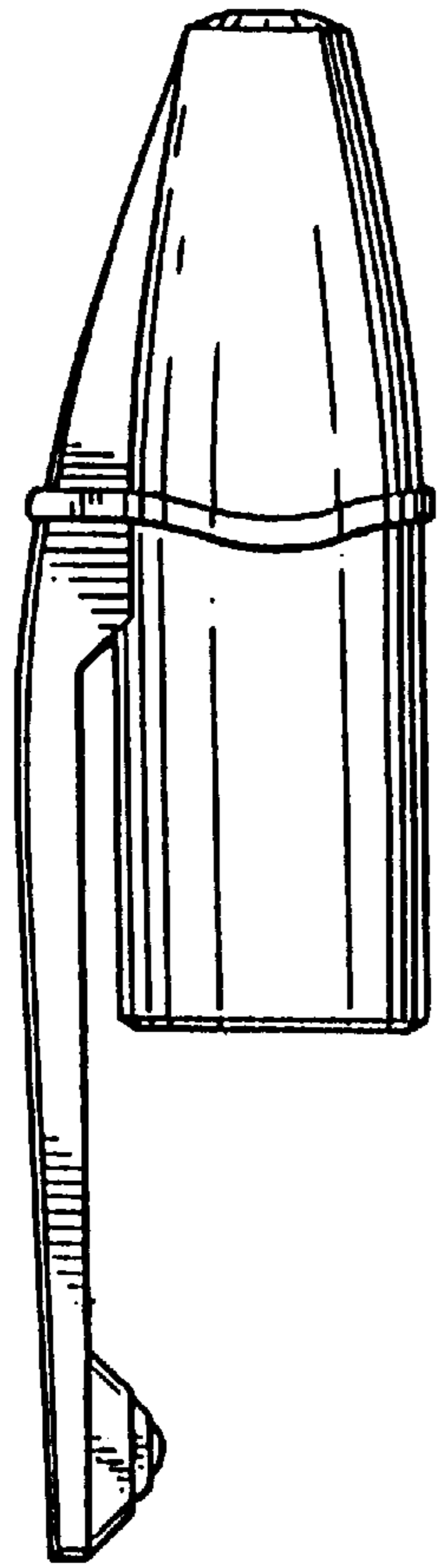


FIG. 4

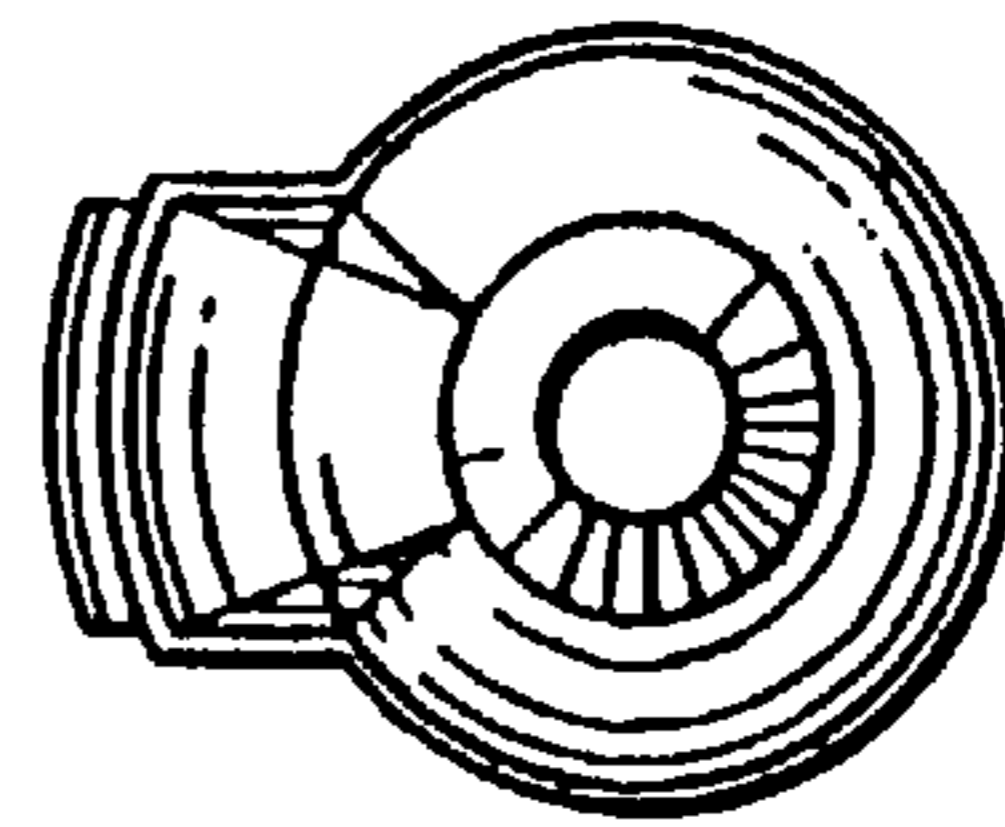


FIG. 5

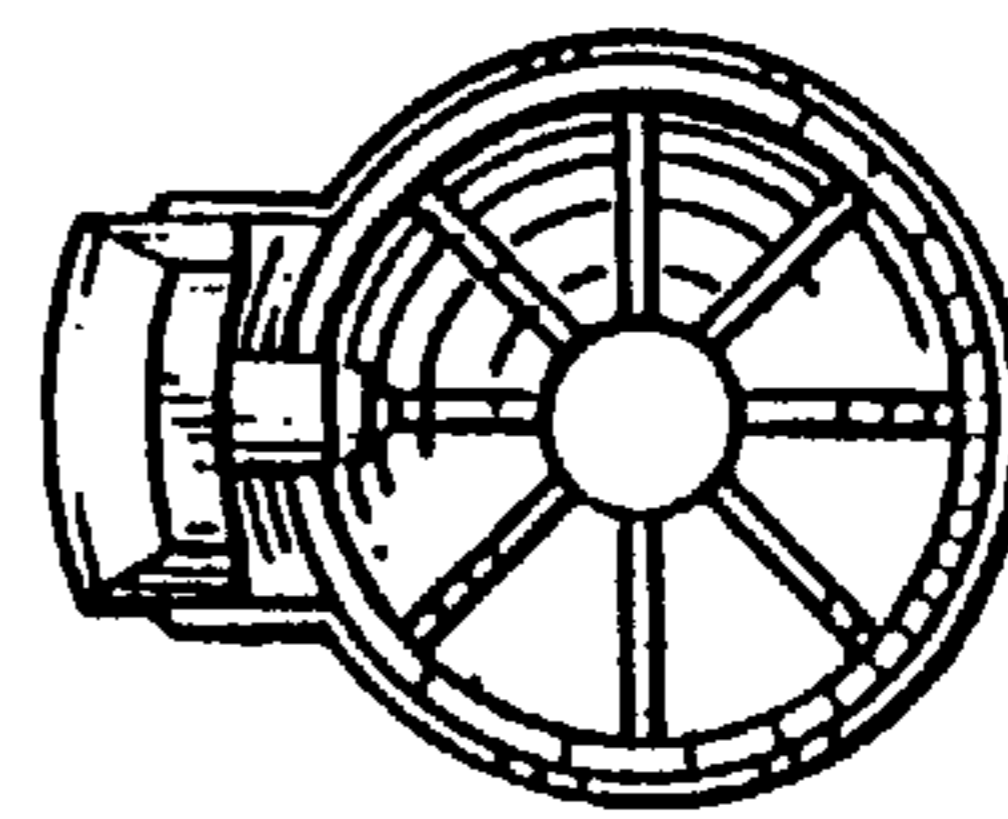


FIG. 6