



US00D401274S

United States Patent [19]
Sills et al.

[11] **Patent Number: Des. 401,274**

[45] **Date of Patent: **Nov. 17, 1998**

[54] **PROTECTIVE COVER FOR BOOKS**

[76] Inventors: **Sharon K. Sills; Dayle L. Mallory,**
both of P.O. Box 8540, Medford, Oreg.
97504

[**] Term: **14 Years**

[21] Appl. No.: **68,387**

[22] Filed: **Apr. 14, 1997**

[51] **LOC (6) Cl. 19-04**

[52] **U.S. Cl. D19/26; D19/32**

[58] **Field of Search D19/26, 27, 32,**
D19/65, 86, 90, 91, 99, 100; 281/15.1,
17, 19.1, 20, 29, 31, 34, 35, 39, 45, 48,
51; D3/303; 283/63.1, 64

[56] **References Cited**

U.S. PATENT DOCUMENTS

1,021,832 4/1912 Fletcher 281/20

3,099,464	7/1963	Smith	281/20
4,209,187	6/1980	Forrest	281/19.1
4,893,837	1/1990	Puglieso et al.	281/31
5,004,514	4/1991	Pugliese et al.	281/29 X
5,029,900	7/1991	Axelrod	291/34

Primary Examiner—Martie Thompson

[57] **CLAIM**

The ornamental design for a protective cover for books, as shown and described.

DESCRIPTION

FIG. 1 is an inside, front perspective view of a protective cover for books showing our new design; and, FIG. 2 is a rear, outside elevational view thereof.

1 Claim, 1 Drawing Sheet

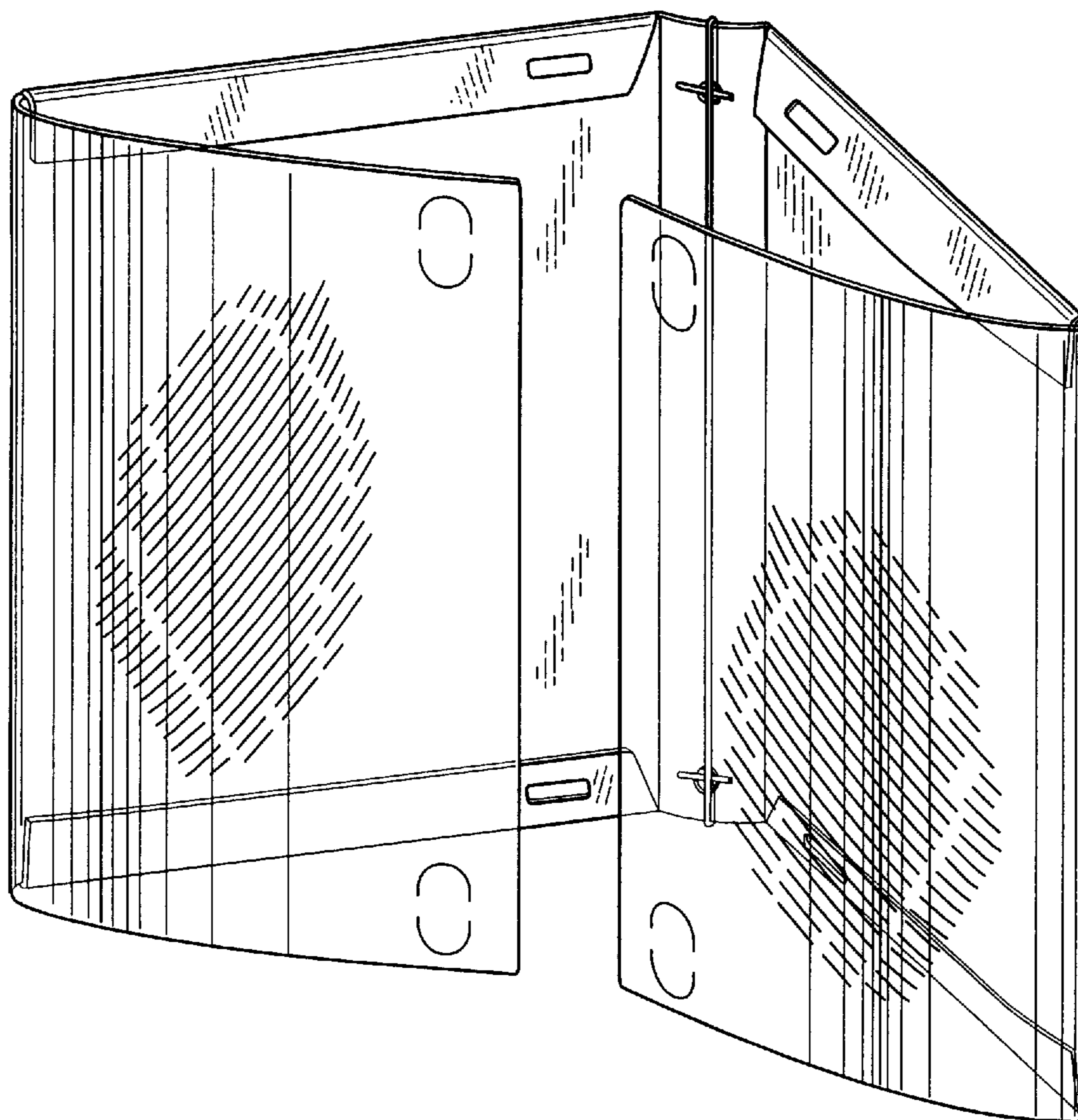


FIG. 1

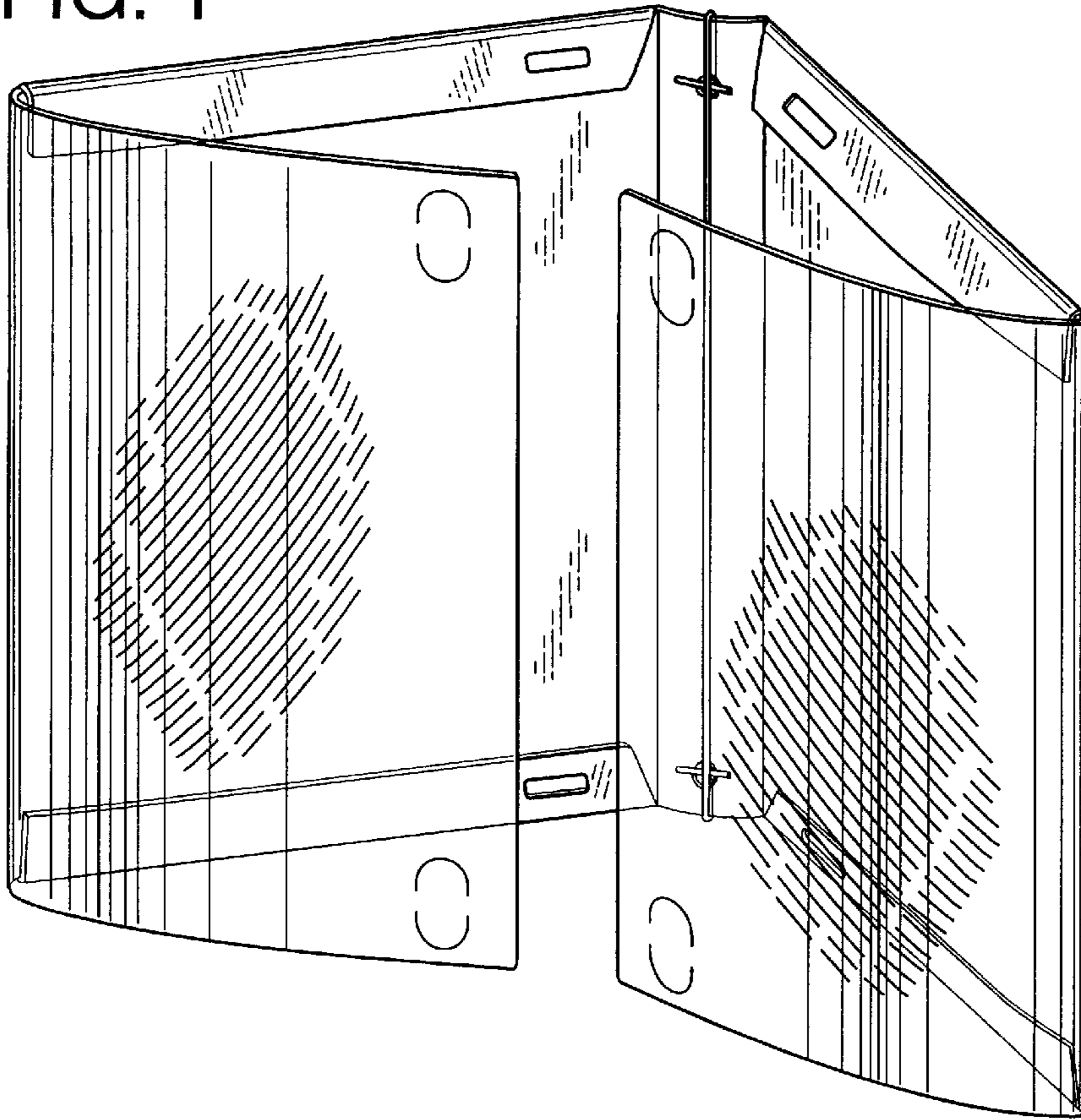


FIG. 2

