

US00D401271S

United States Patent [19] Nakajima

[11] **Patent Number: Des. 401,271**

[45] **Date of Patent: **Nov. 17, 1998**

[54] **PRINTER**

[75] Inventor: **Yoshihiro Nakajima**, Osaka, Japan

[73] Assignee: **Mita Industrial Co., Ltd.**, Osaka, Japan

[*] Notice: The term of this patent shall not extend beyond the expiration date of Pat. No. D. 399,524.

[**] Term: **14 Years**

[21] Appl. No.: **70,244**

[22] Filed: **May 2, 1997**

[30] Foreign Application Priority Data

Nov. 12, 1996 [JP] Japan 8-34313

[51] **LOC (6) Cl.** **14-02**

[52] **U.S. Cl.** **D18/55**

[58] **Field of Search** D18/50, 54, 55;
D14/118; 400/690.1, 690.4, 691-694, 613.1,
613.4, 613

[56] References Cited

U.S. PATENT DOCUMENTS

- D. 326,678 6/1992 Uenibori et al. D18/55
- D. 331,774 12/1992 Saeki D18/55
- D. 337,608 7/1993 Miyamoto D18/55
- D. 338,910 8/1993 Sugawara D18/55
- D. 340,945 11/1993 Sugimoto D18/55

- D. 343,636 1/1994 Horie et al. D18/55
- D. 344,286 2/1994 Sugimoto D18/55
- D. 363,306 10/1995 Eto et al. D18/54
- D. 369,382 4/1996 Matsunaga et al. D18/55
- D. 378,378 3/1997 Nakazawa et al. D18/55
- D. 379,195 5/1997 Stanton D18/50

FOREIGN PATENT DOCUMENTS

753604 10/1988 Japan D18/55

OTHER PUBLICATIONS

NEC Information System, Inc. Pinwriter P5200/P5300 User's Guide, Nov. 1988.

Systems, Terminals 7 Communications Corp. brochure for ACS Diable 630 Model I Daisy Wheel Printer, Mar. 1984.

Primary Examiner—Cathy Anne MacCormac
Attorney, Agent, or Firm—Spencer & Frank

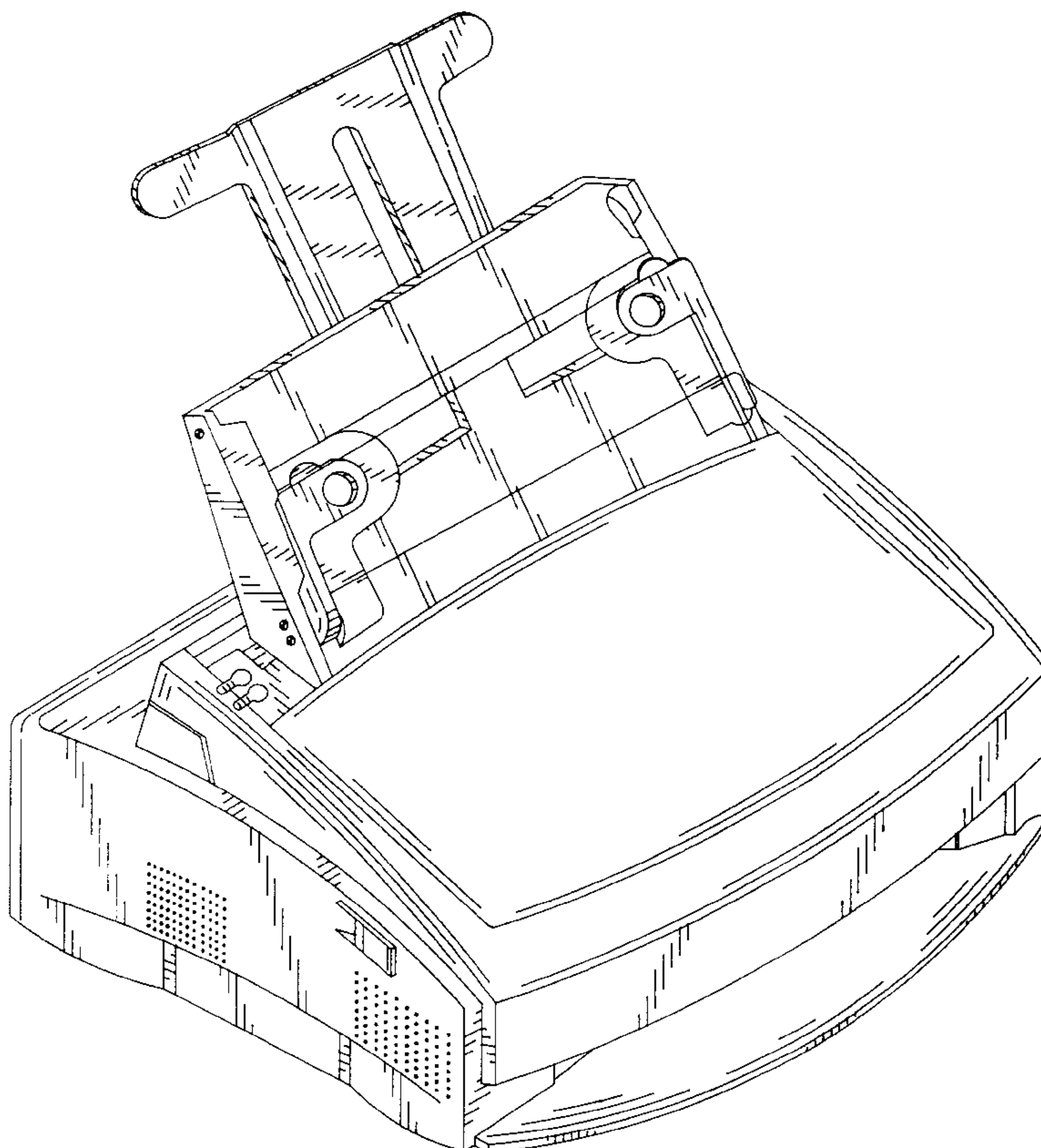
[57] CLAIM

The ornamental design for a printer, as shown.

DESCRIPTION

FIG. 1 is a front view of a printer;
FIG. 2 is a back view of a printer;
FIG. 3 is a right side view of a printer;
FIG. 4 is a top view of a printer;
FIG. 5 is a bottom view of a printer;
FIG. 6 is a left side view of a printer; and,
FIG. 7 is a perspective view of a printer.

1 Claim, 7 Drawing Sheets



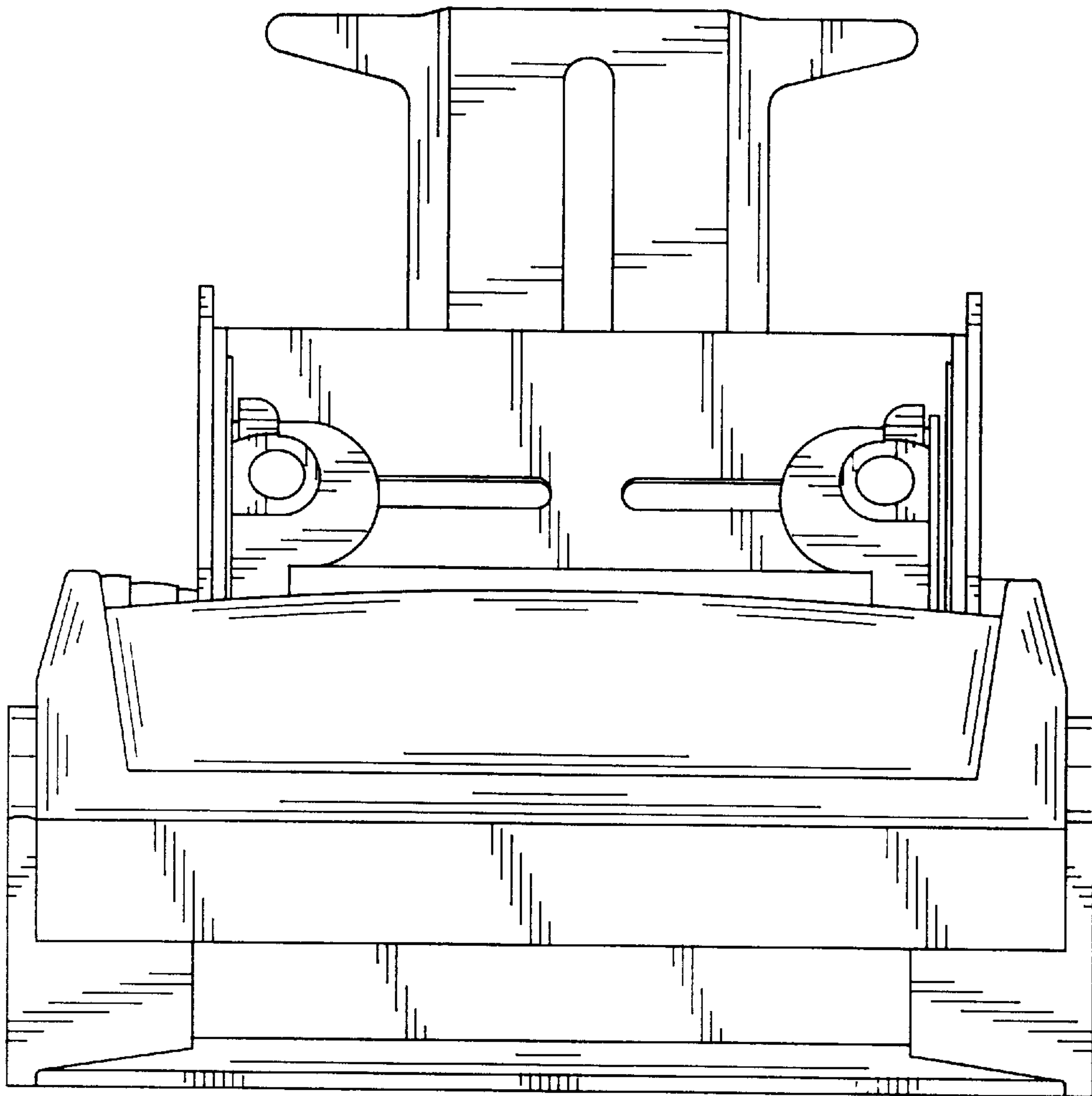


FIG. 1

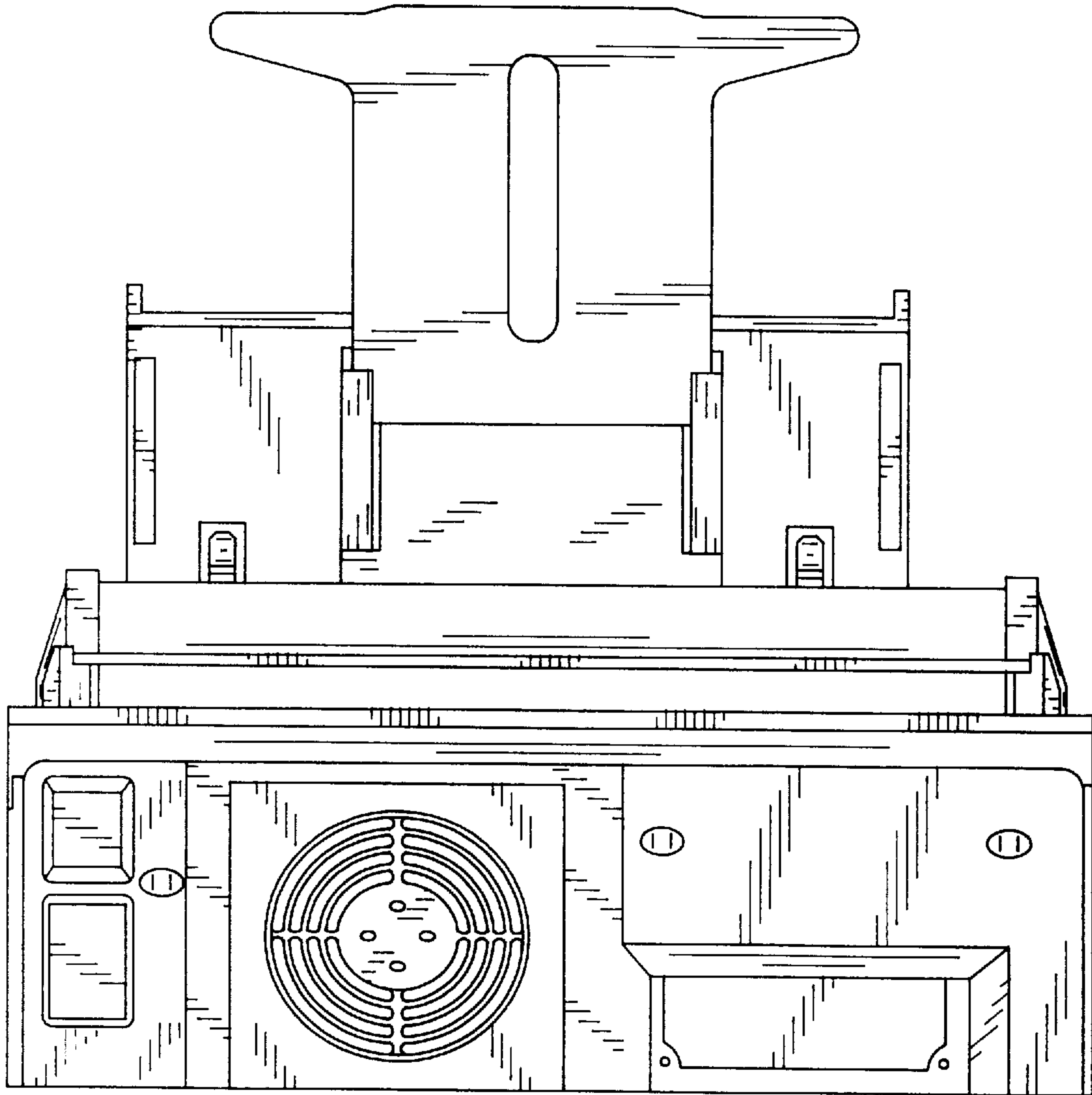


FIG. 2

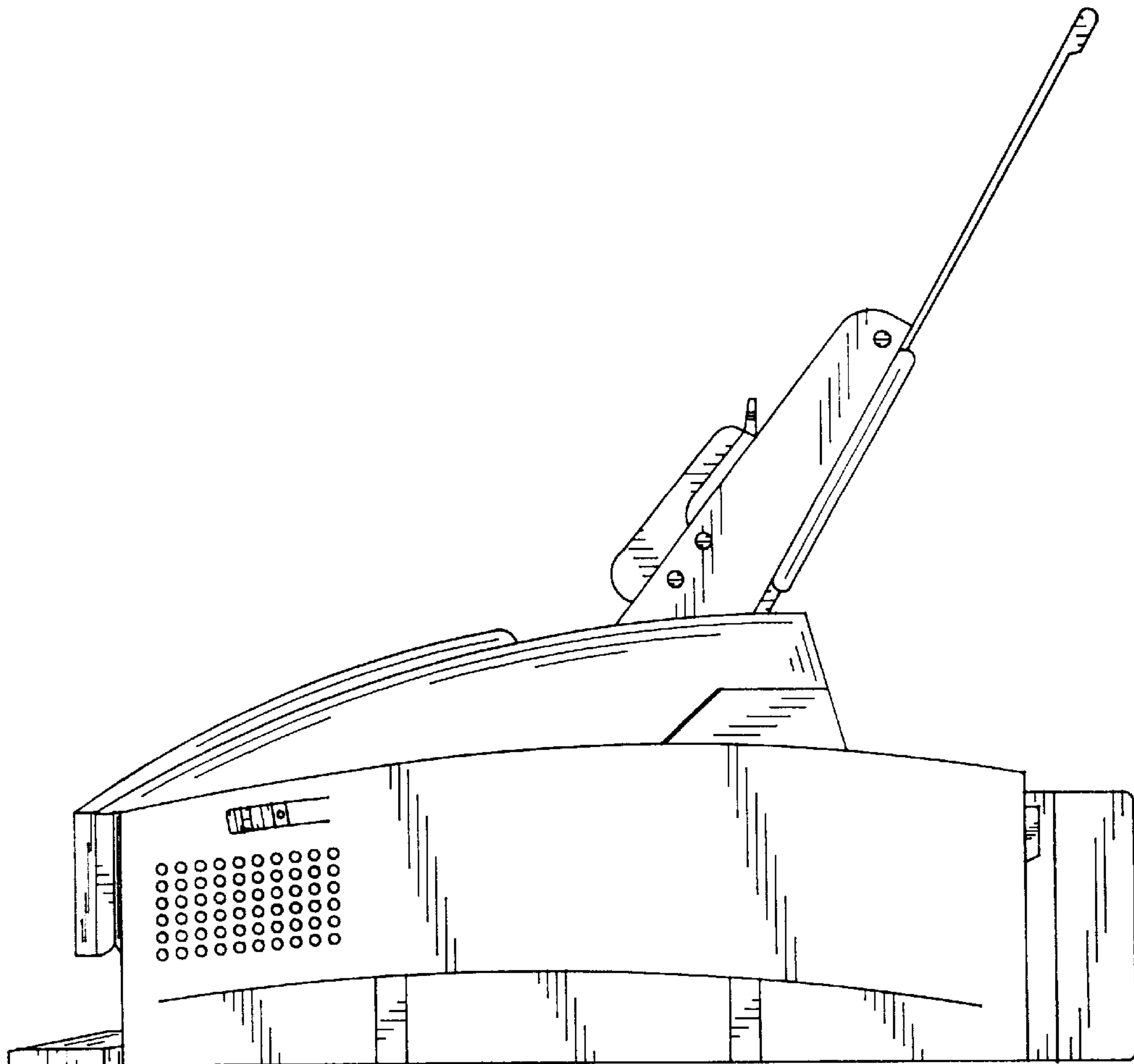


FIG. 3

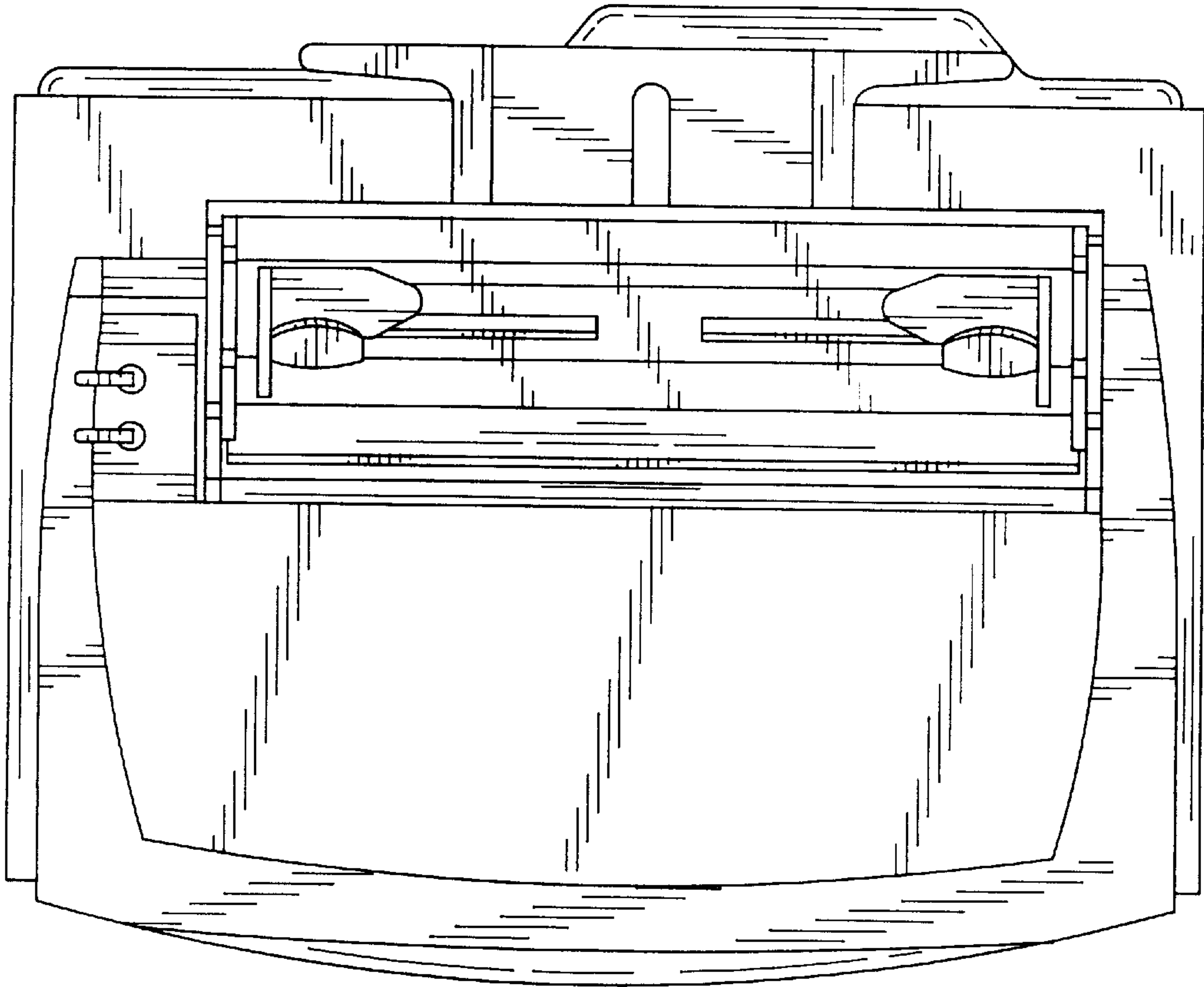


FIG. 4

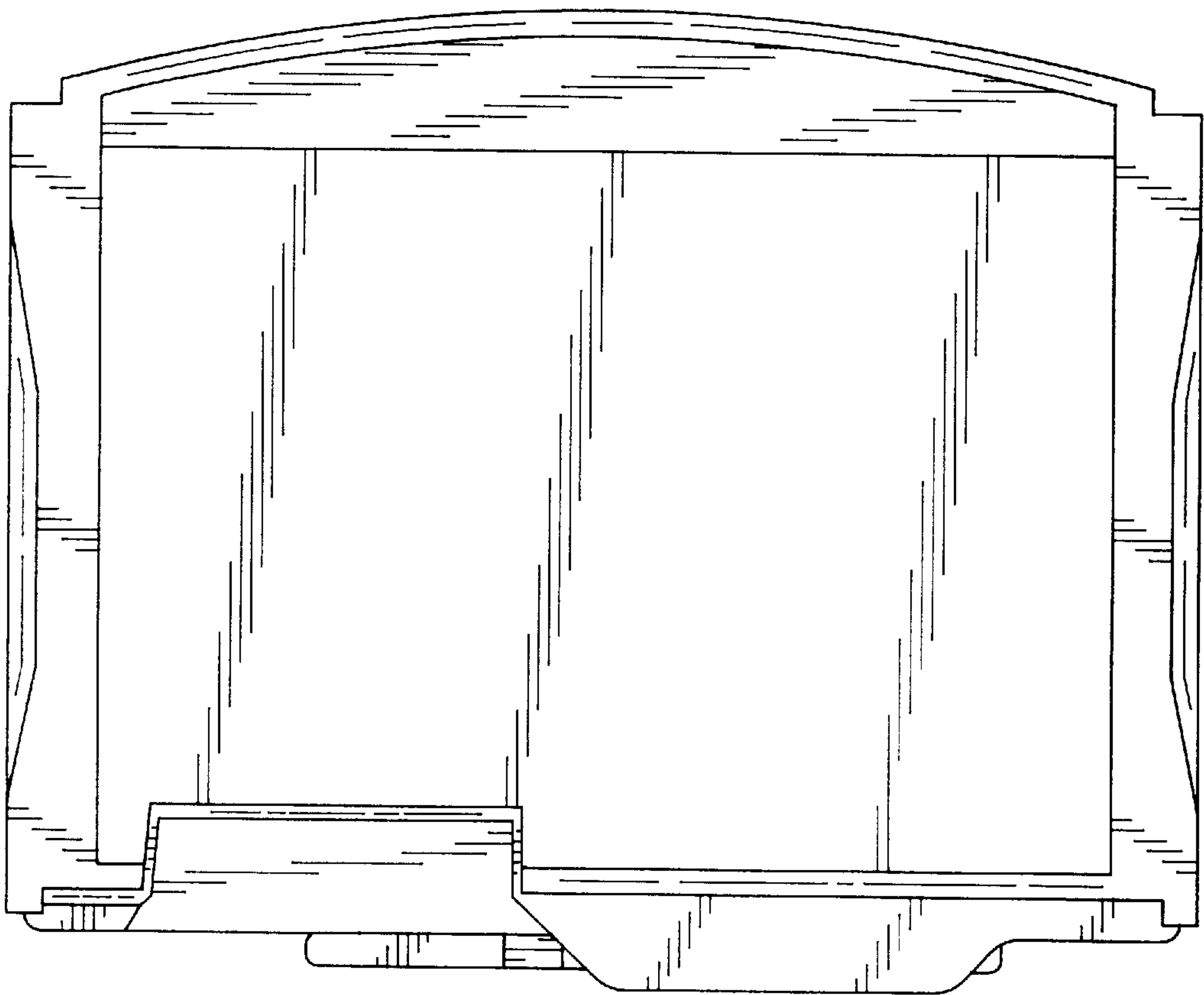


FIG. 5

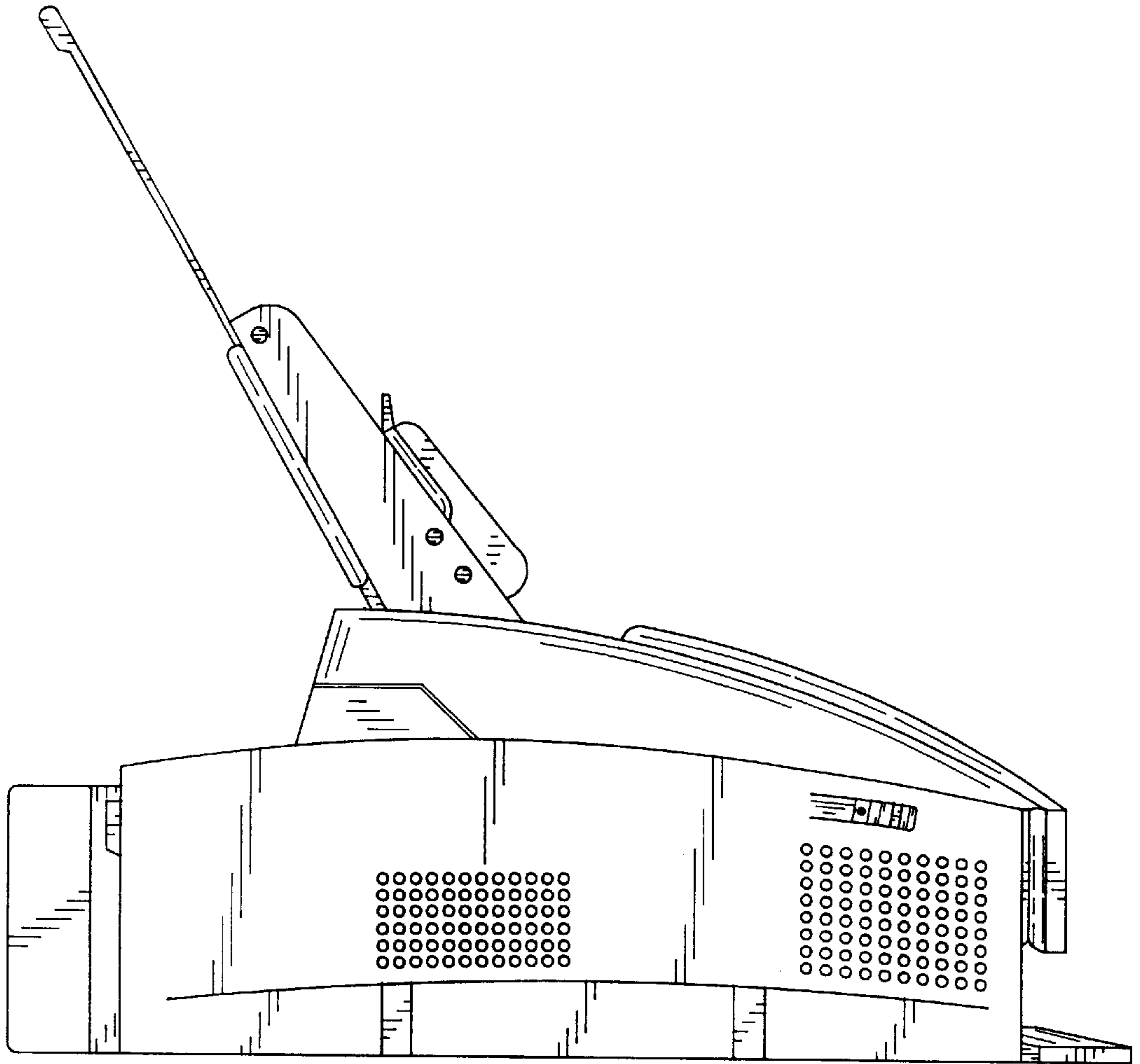


FIG. 6

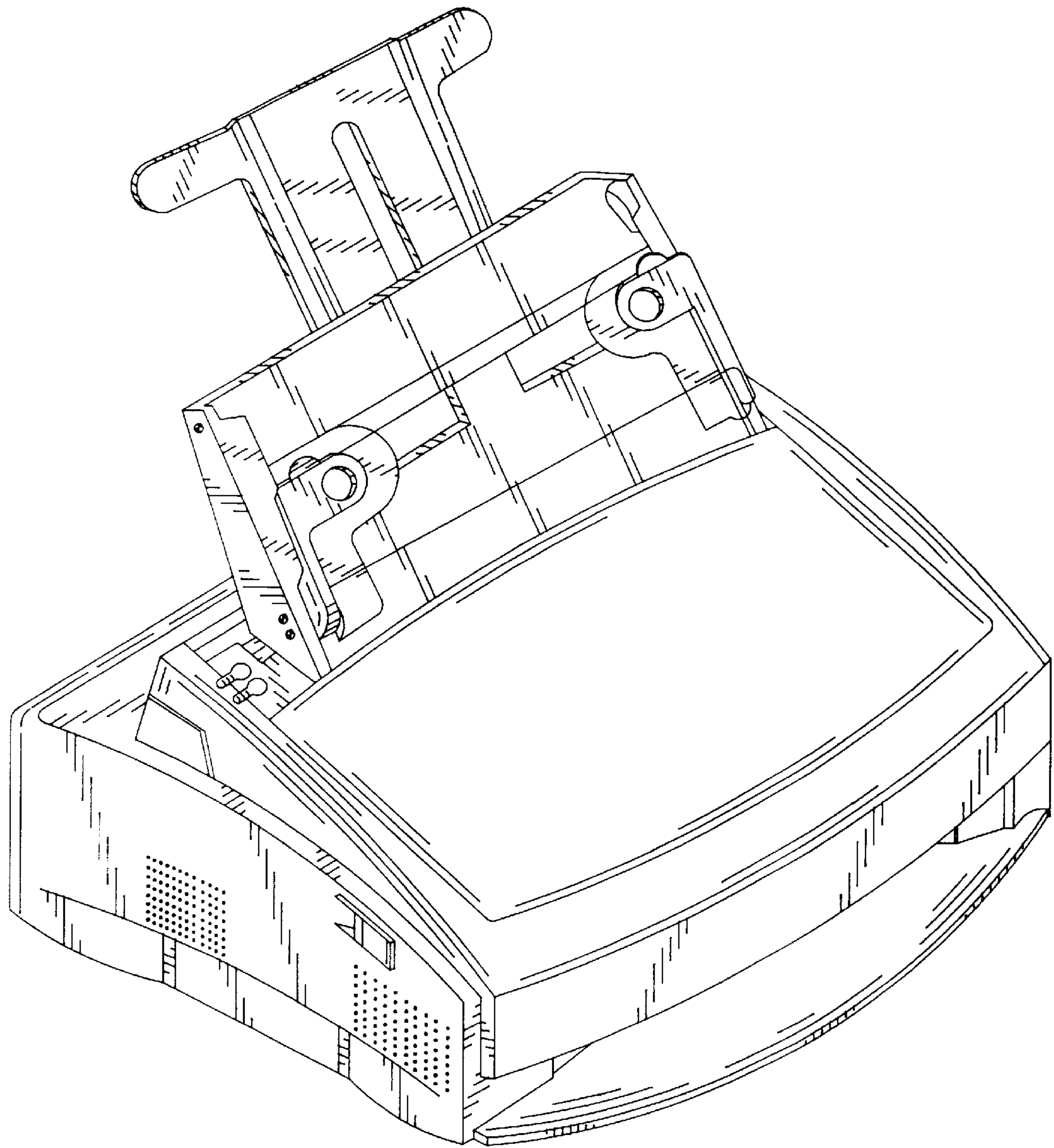


FIG. 7