



US00D401269S

United States Patent [19] Uggetti

[11] **Patent Number: Des. 401,269**

[45] **Date of Patent: **Nov. 17, 1998**

[54] **INKED RIBBON CARTRIDGE**

D. 352,953 11/1994 Maina D18/12

[75] Inventor: **Sergio Uggetti**, Ivrea, Italy

Primary Examiner—Caron D. Veynar
Attorney, Agent, or Firm—Banner & Witcoff, Ltd.

[73] Assignee: **Olivetti Lexikon S.p.A.**, Ivrea, Italy

[**] Term: **14 Years**

[57] **CLAIM**

[21] Appl. No.: **77,878**

The ornamental design for an inked ribbon cartridge, as shown and described.

[22] Filed: **Oct. 10, 1997**

[30] **Foreign Application Priority Data**

DESCRIPTION

Apr. 21, 1997 [IT] Italy TO9700094

FIG. 1 is a top front and right side perspective view of an inked ribbon cartridge having the design of the invention;

[51] **LOC (6) Cl.** **18-01**

FIG. 2 is a top rear and left side perspective view thereof;

[52] **U.S. Cl.** **D18/12**

FIG. 3 is a rear elevational view thereof;

[58] **Field of Search** D18/12, 22, 99;
D14/120, 121; 400/194, 195, 196, 196.1,
207, 208

FIG. 4 is a right side elevational view thereof; and,

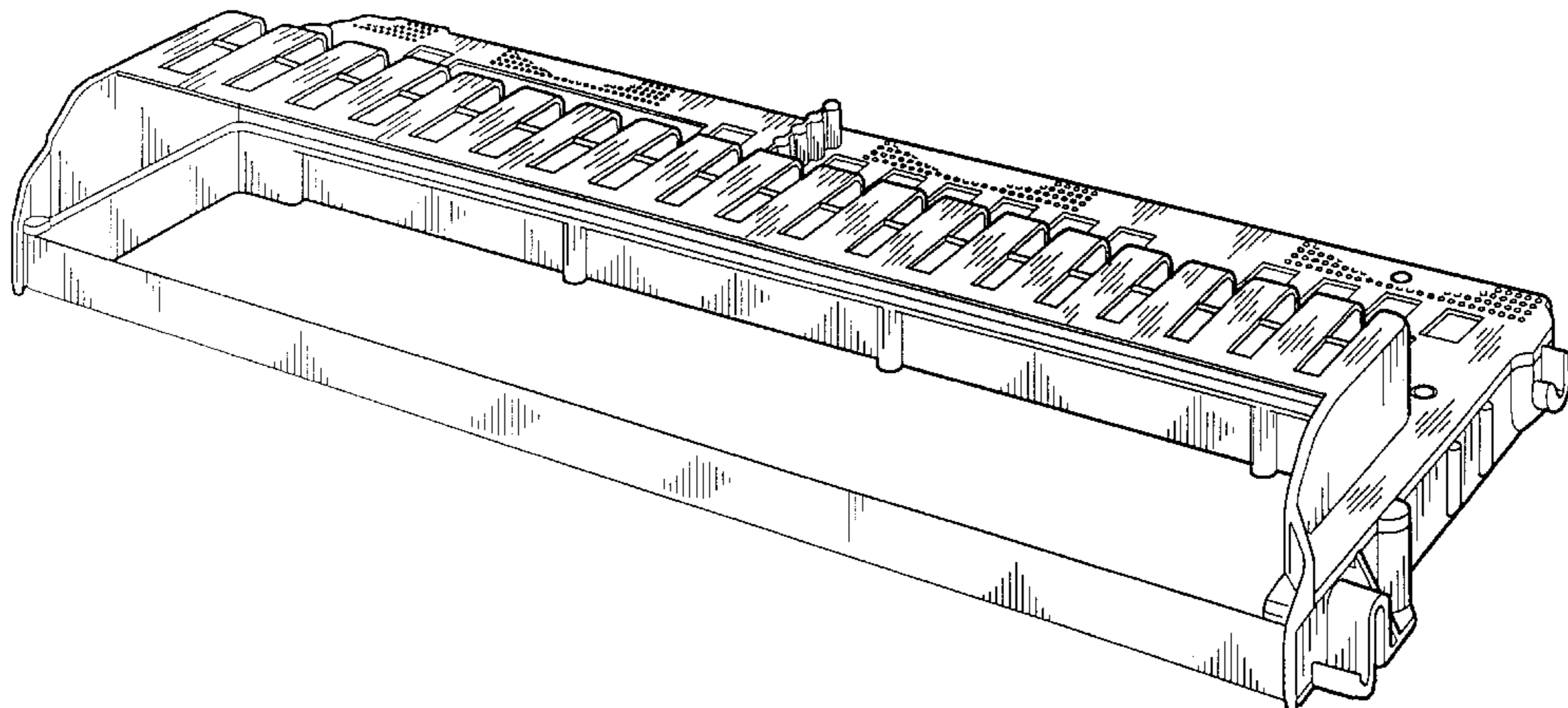
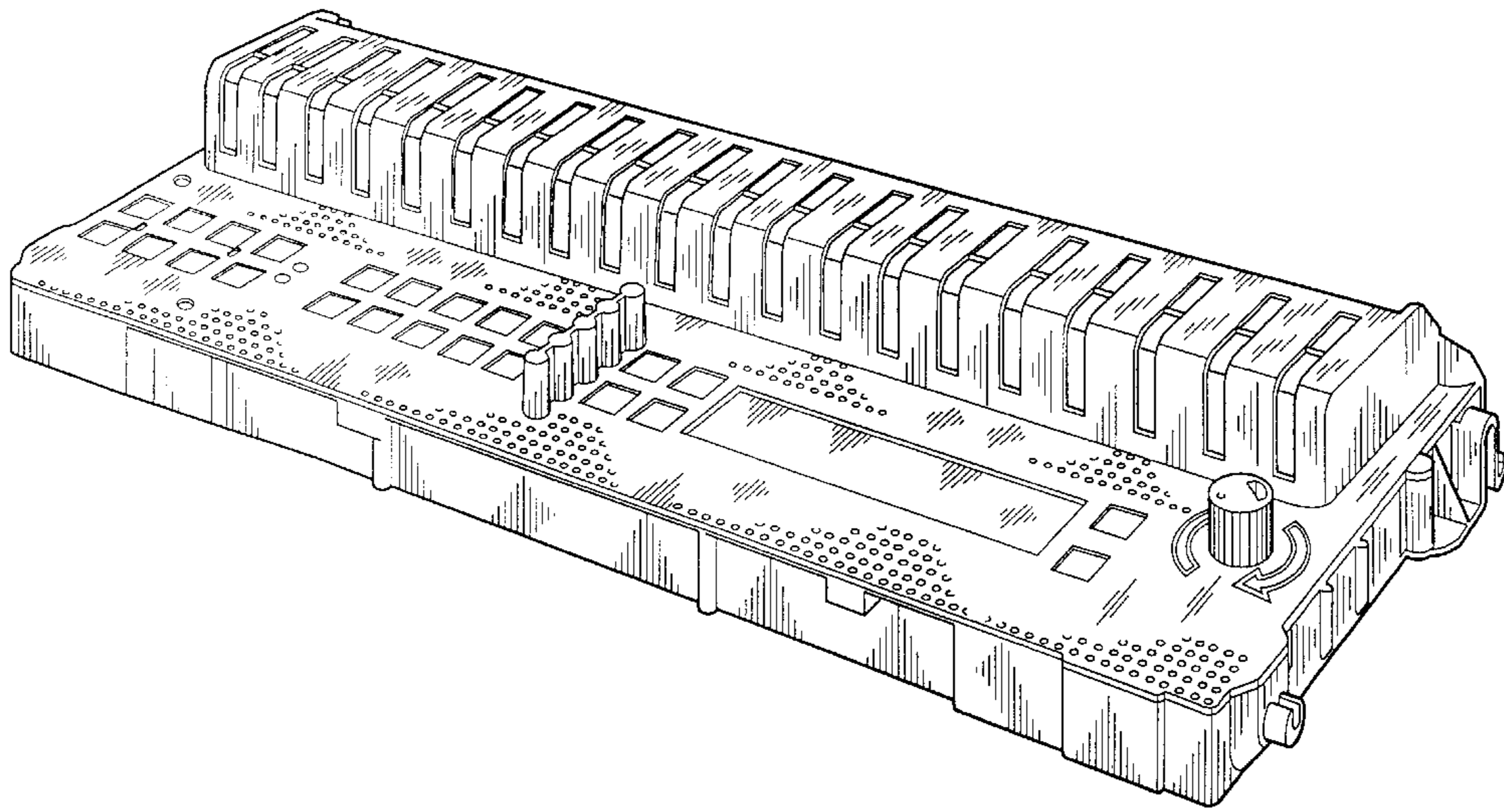
FIG. 5 is a bottom plan view thereof.

[56] **References Cited**

U.S. PATENT DOCUMENTS

D. 305,907 2/1990 Bellini D18/12

1 Claim, 5 Drawing Sheets



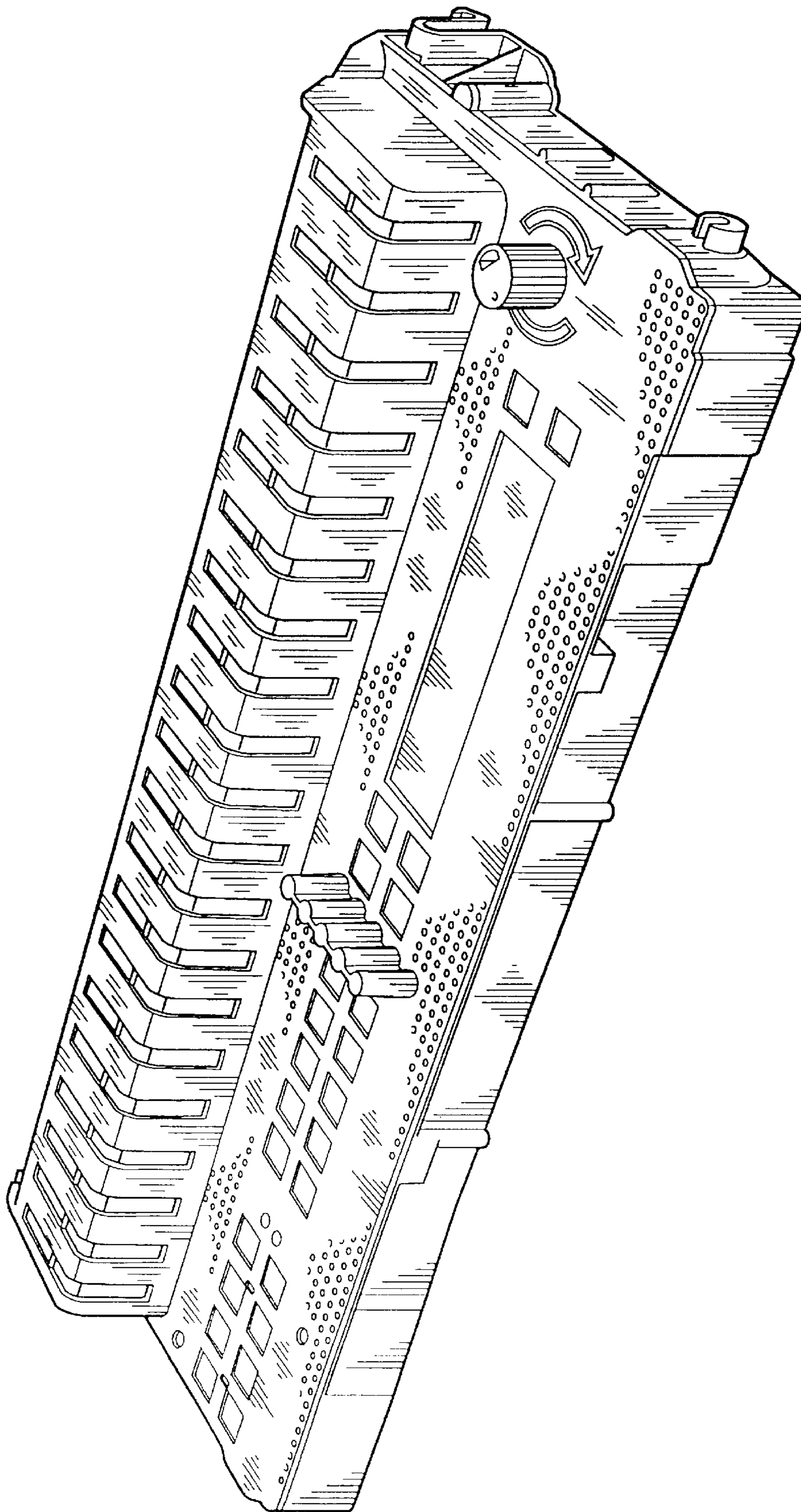


Fig.1

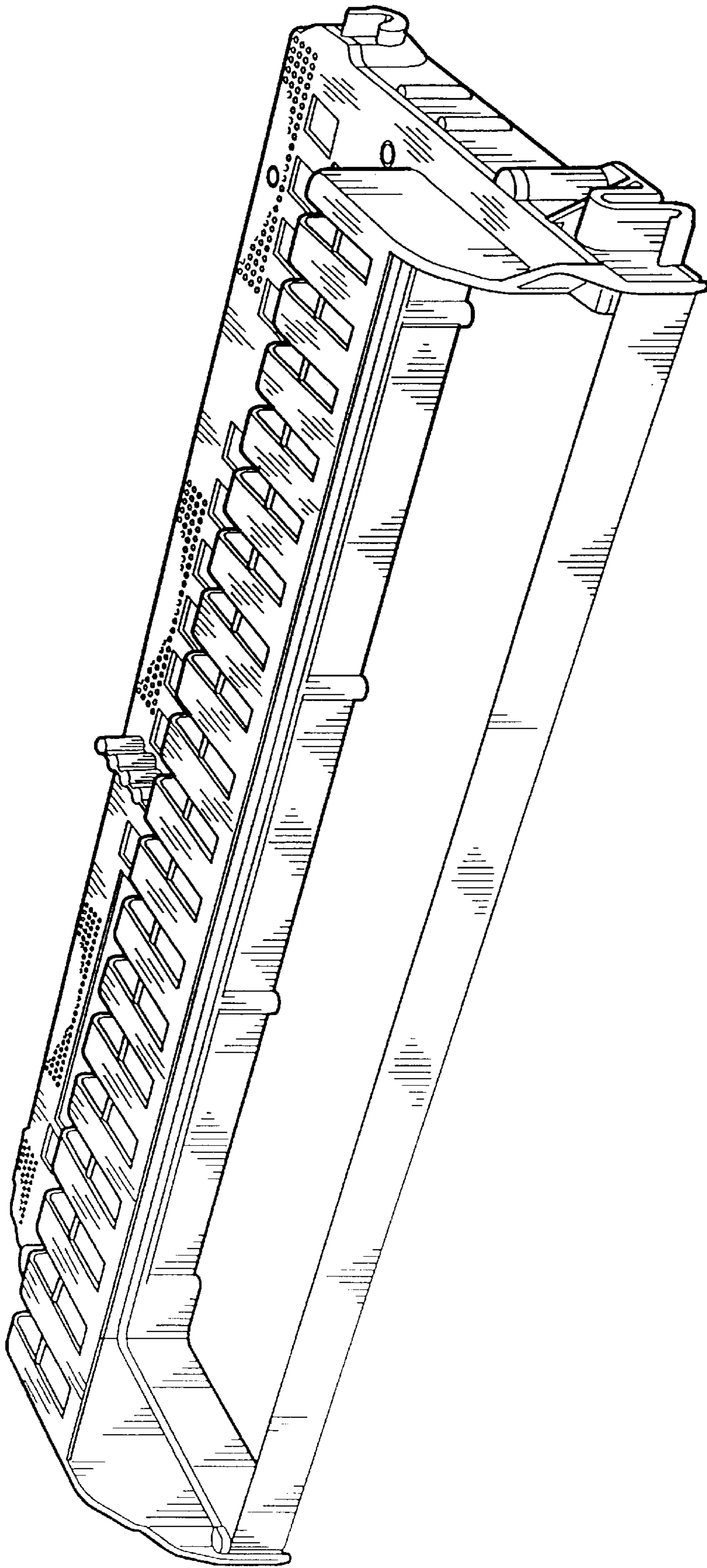


Fig.2

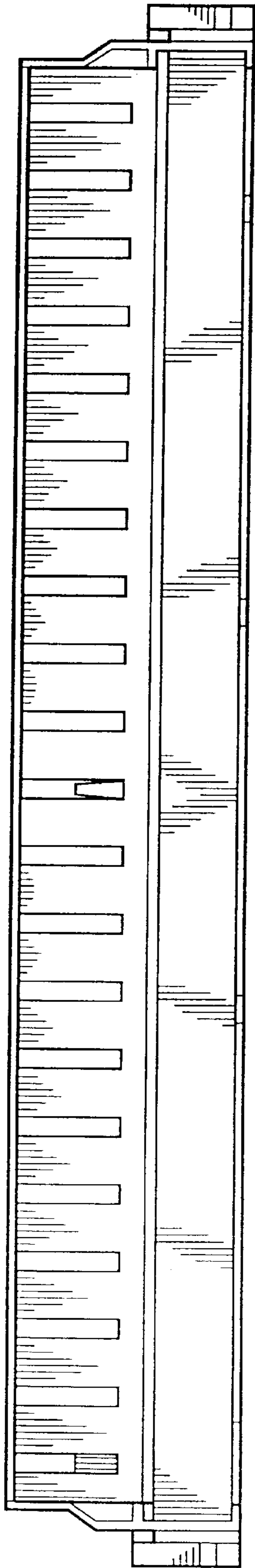


Fig.3

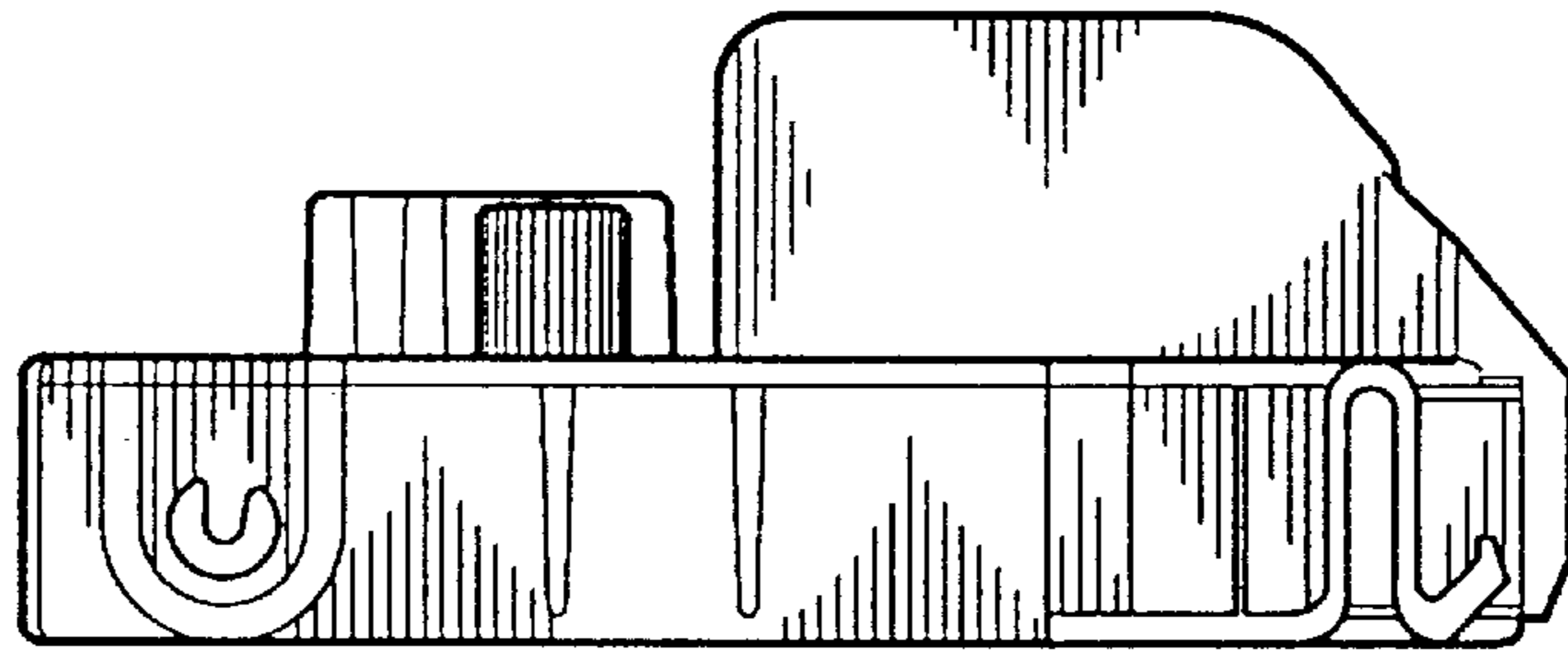


Fig.4

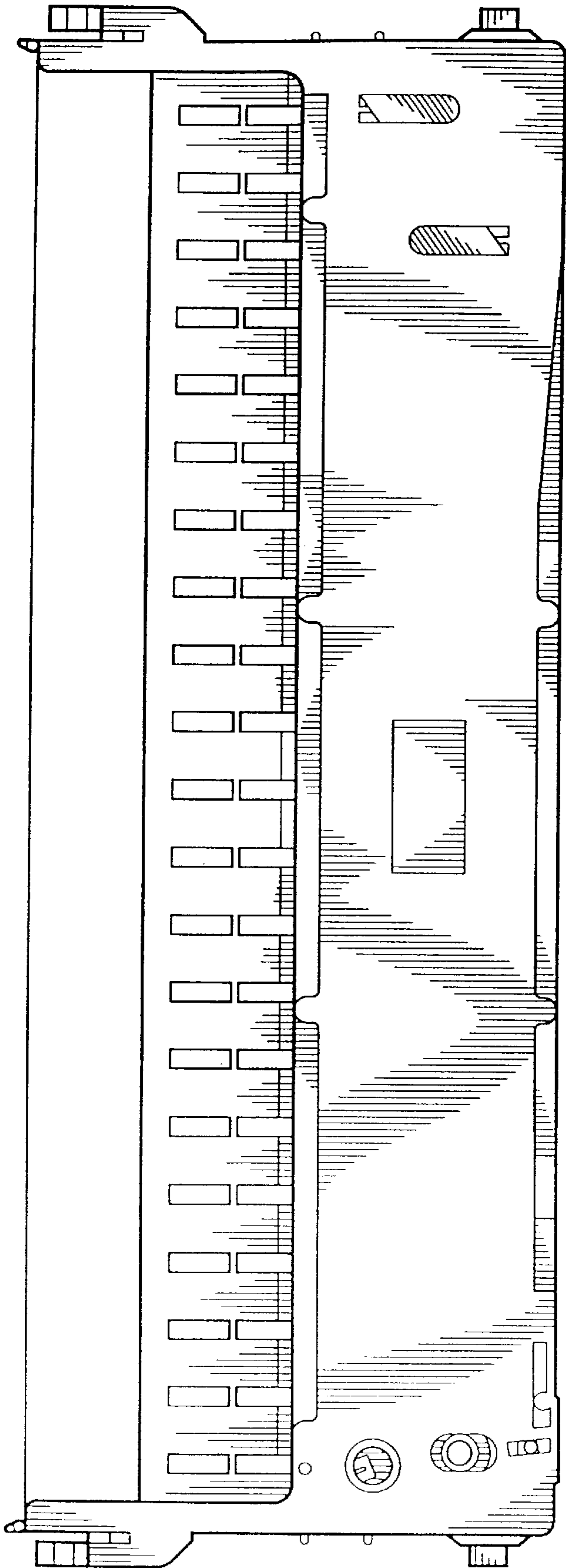


Fig.5