



US00D401267S

United States Patent [19]

Dame et al.

[11] **Patent Number: Des. 401,267**

[45] **Date of Patent: **Nov. 17, 1998**

[54] **GUITAR HEADSTOCK**

[75] Inventors: **Stephen G. Dame; Joseph Ungari,**
both of Everett, Wash.

[73] Assignee: **Virtual DSP Corporation,** Everett,
Wash.

[**] Term: **14 Years**

[21] Appl. No.: **82,397**

[22] Filed: **Jan. 21, 1998**

[51] **LOC (6) Cl. 17-03**

[52] **U.S. Cl. D17/20; 84/293**

[58] **Field of Search D17/14, 15, 18-20;**
84/267, 291, 293, 304

[56] **References Cited**

U.S. PATENT DOCUMENTS

- D. 255,461 6/1980 Todd, III D17/20
- D. 317,320 6/1991 Schumann et al. D17/20
- D. 317,784 6/1991 Powres D17/20

- D. 387,371 12/1997 Riboloff D17/20
- 4,950,437 8/1990 Lieber 84/293

Primary Examiner—Ted Shooman
Assistant Examiner—Adir Aronovich
Attorney, Agent, or Firm—Weiss Jensen Ellis & Howard

[57] **CLAIM**

The ornamental design for a guitar headstock, as shown and described.

DESCRIPTION

FIG. 1 is a front, top perspective view of a guitar headstock showing my new design;
FIG. 2 is a front elevation view thereof;
FIG. 3 is a rear elevation view thereof;
FIG. 4 is a left side elevation view thereof;
FIG. 5 is a right side elevation view thereof; and,
FIG. 6 is a top plan view thereof.

The broken lines shown are for illustrative purposes only and form no part of the claimed design.

1 Claim, 2 Drawing Sheets

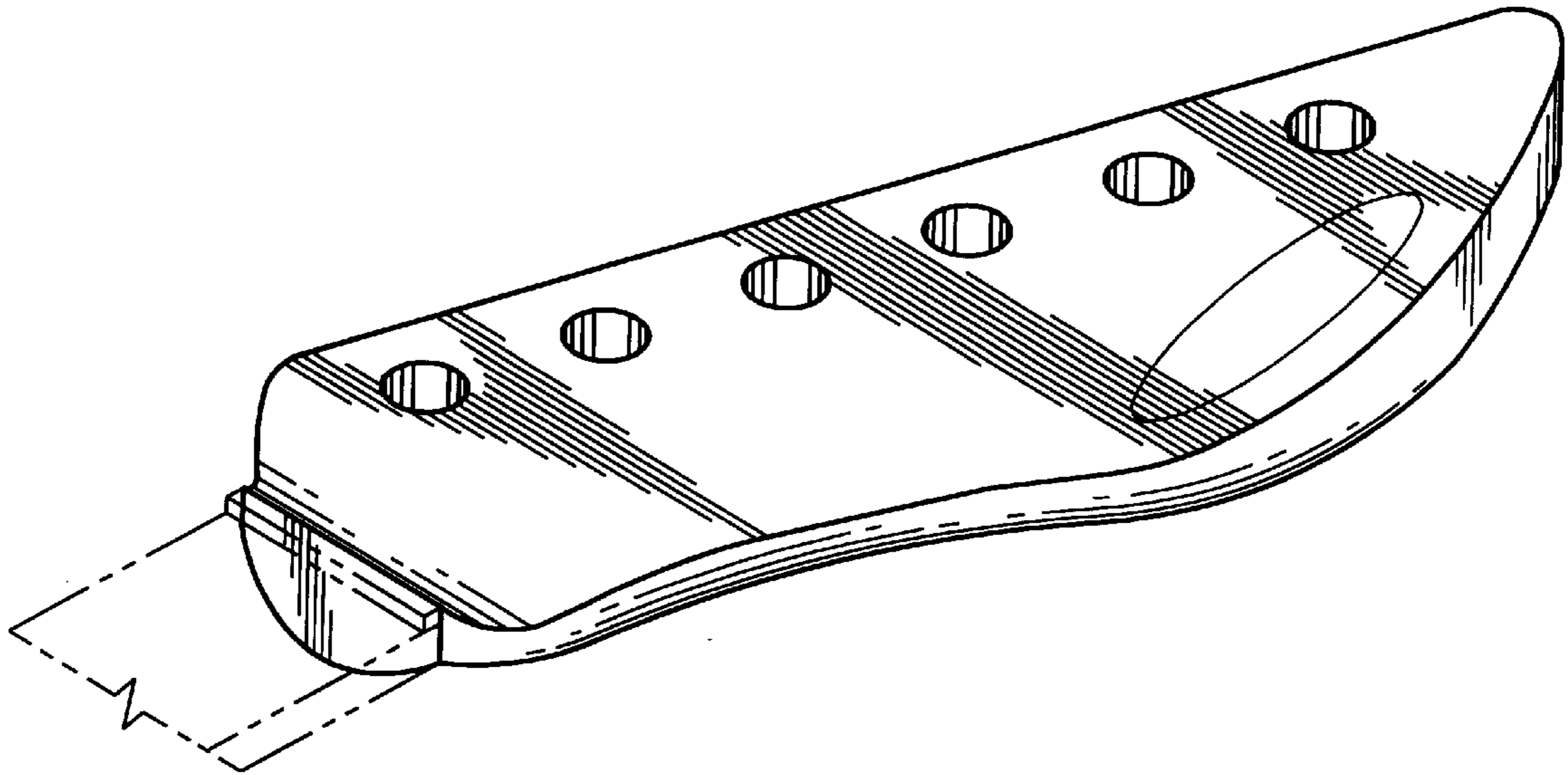


FIG. 1

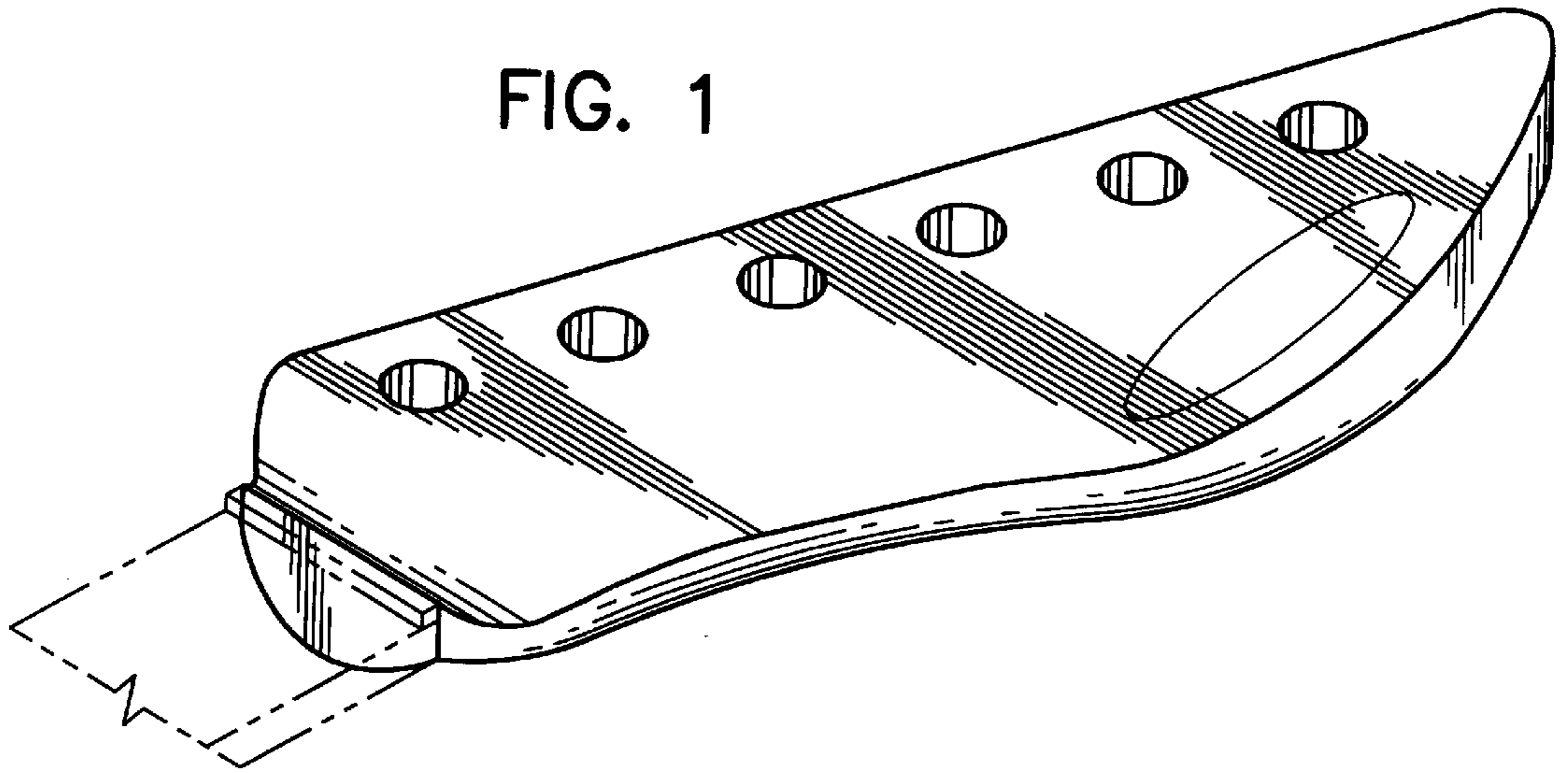


FIG. 2

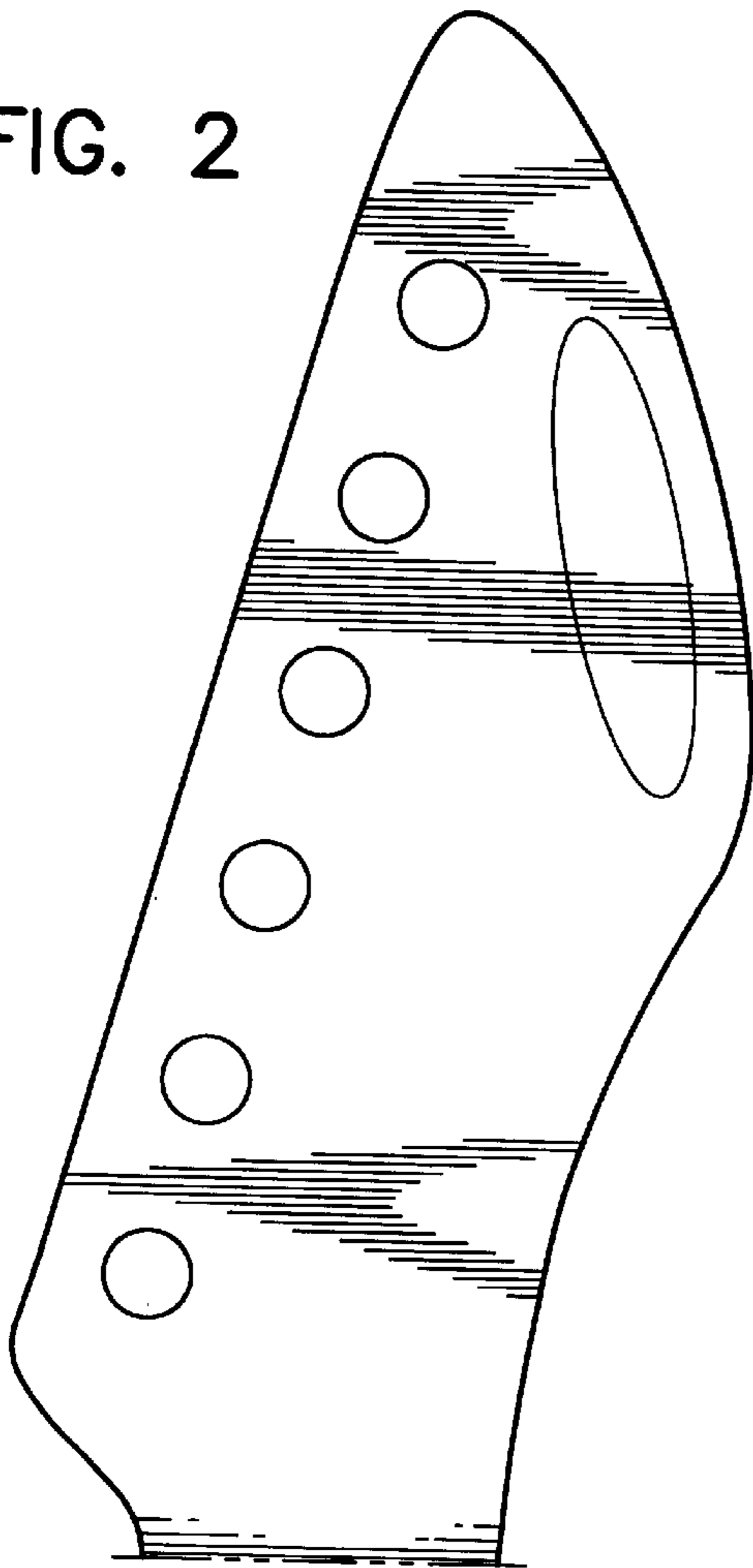


FIG. 3

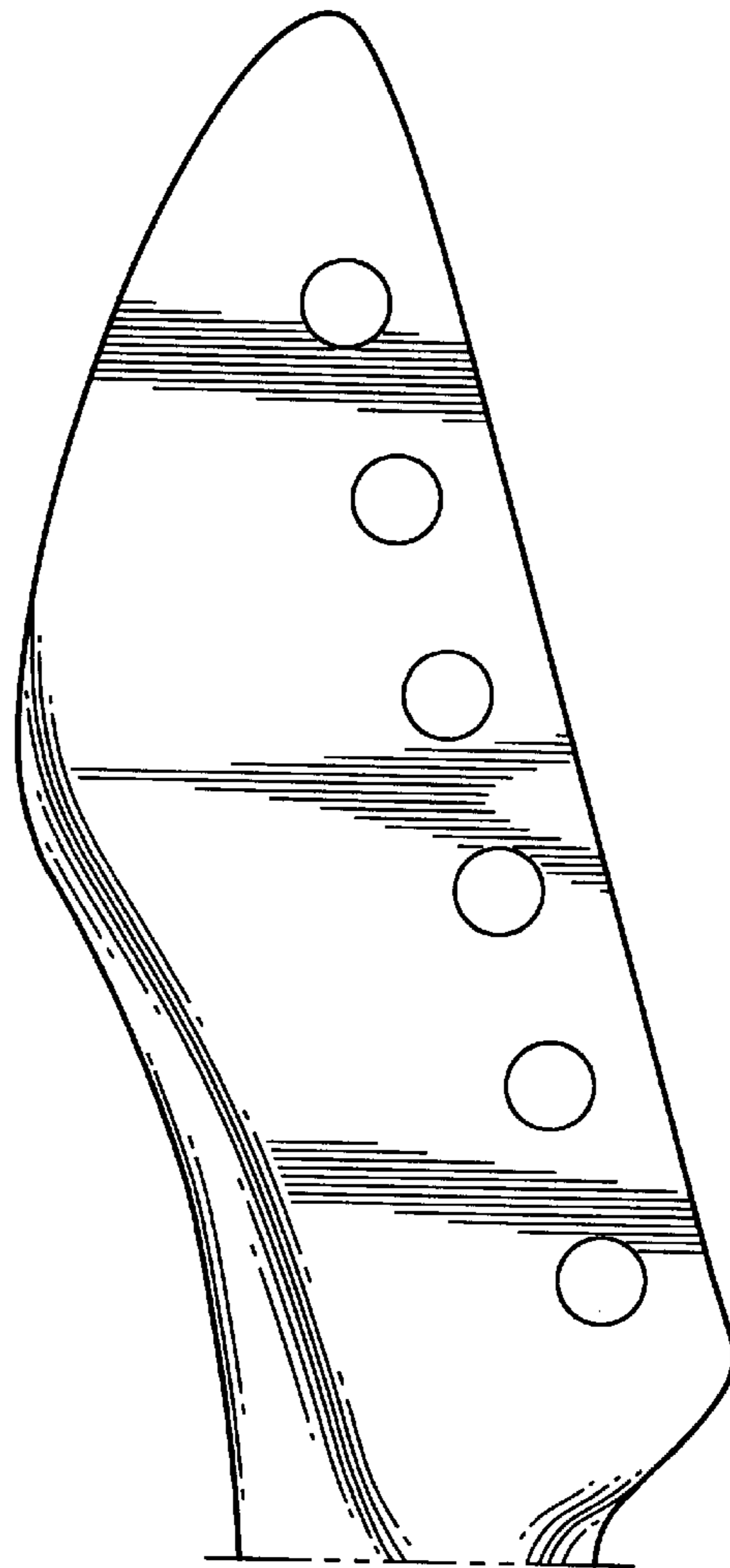


FIG. 4

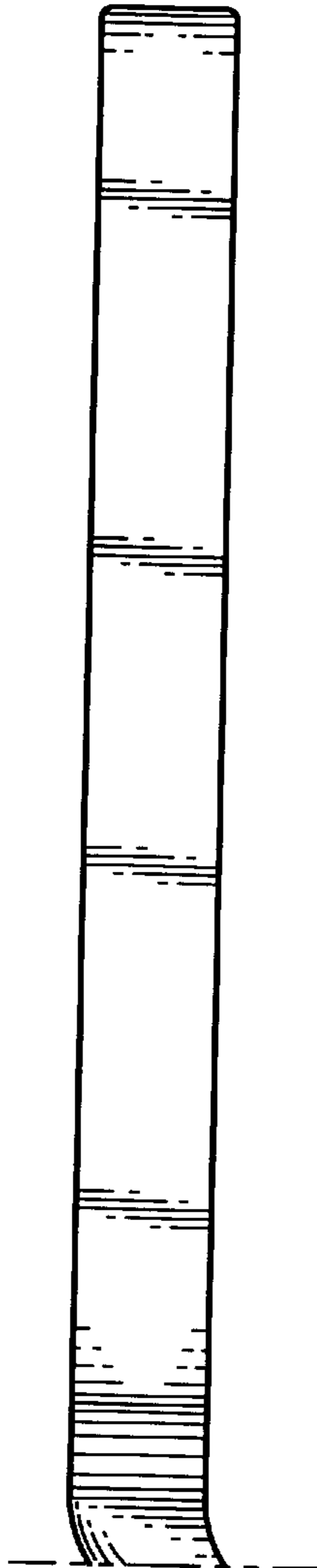


FIG. 5

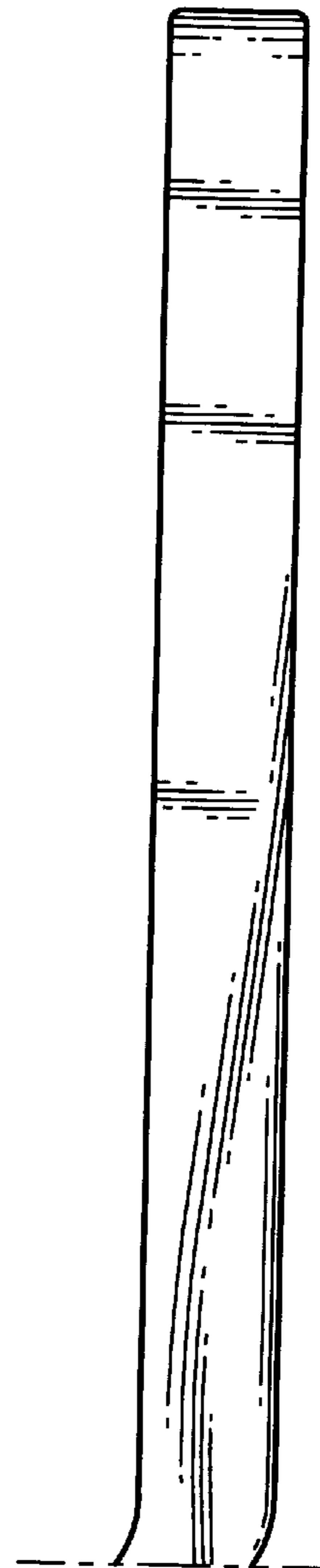


FIG. 6

