



US00D401260S

United States Patent [19]

Kodama et al.

[11] Patent Number: Des. 401,260

[45] Date of Patent: **Nov. 17, 1998

[54] LIQUID CRYSTAL VIDEO PROJECTOR

2,916,964 12/1959 Paulsohn 353/115

[75] Inventors: Ryo Kodama; Hideki Yano, both of Kanagawa, Japan

OTHER PUBLICATIONS

Copy of Catalogue of Video Projector by Nissho Electronics Co., Ltd., (1 page) (admitted prior art).

[73] Assignee: Mitsubishi Denki Kabushiki Kaisha, Tokyo, Japan

Primary Examiner—Ted Shooman
Assistant Examiner—Adir Aronovich
Attorney, Agent, or Firm—Oblon, Spivak, McClelland, Maier & Neustadt, P.C.

[**] Term: 14 Years

[21] Appl. No.: 83,392

[57] CLAIM

[22] Filed: Feb. 10, 1998

The ornamental design for a liquid crystal video projector, as shown and described.

[30] Foreign Application Priority Data

Sep. 26, 1997 [JP] Japan 9-69279

DESCRIPTION

[51] LOC (6) Cl. 16-02

FIG. 1 is a front elevational view of a liquid crystal video projector, showing our new design;
FIG. 2 is a rear elevational view thereof;
FIG. 3 is a left side elevational view thereof;
FIG. 4 is a right side elevational view thereof;
FIG. 5 is a top plan view thereof;
FIG. 6 is a bottom plan view thereof;
FIG. 7 is a front, top and right side perspective view thereof with the handle extended;
FIG. 8 is a cross-sectional view thereof, taken along line 8—8 in FIG. 1, with the internal system omitted; and,
FIG. 9 is a cross-sectional view thereof, taken along line 9—9 in FIG. 3, with the internal system omitted.

[52] U.S. Cl. D16/225; D16/221; D16/236

[58] Field of Search D16/200–205, D16/208, 213, 221, 225, 230, 231, 234; D21/110; 352/34, 242, 243; 353/115, 119, 122; 349/5, 7, 8, 9, 58

[56] References Cited

U.S. PATENT DOCUMENTS

- D. 350,106 8/1994 Ina D16/234
- D. 371,148 6/1996 Kobayashi D16/221
- D. 388,111 12/1997 Iida D16/231
- D. 389,850 1/1998 Frank D16/225
- D. 392,302 3/1998 Oota et al. D16/221

1 Claim, 5 Drawing Sheets

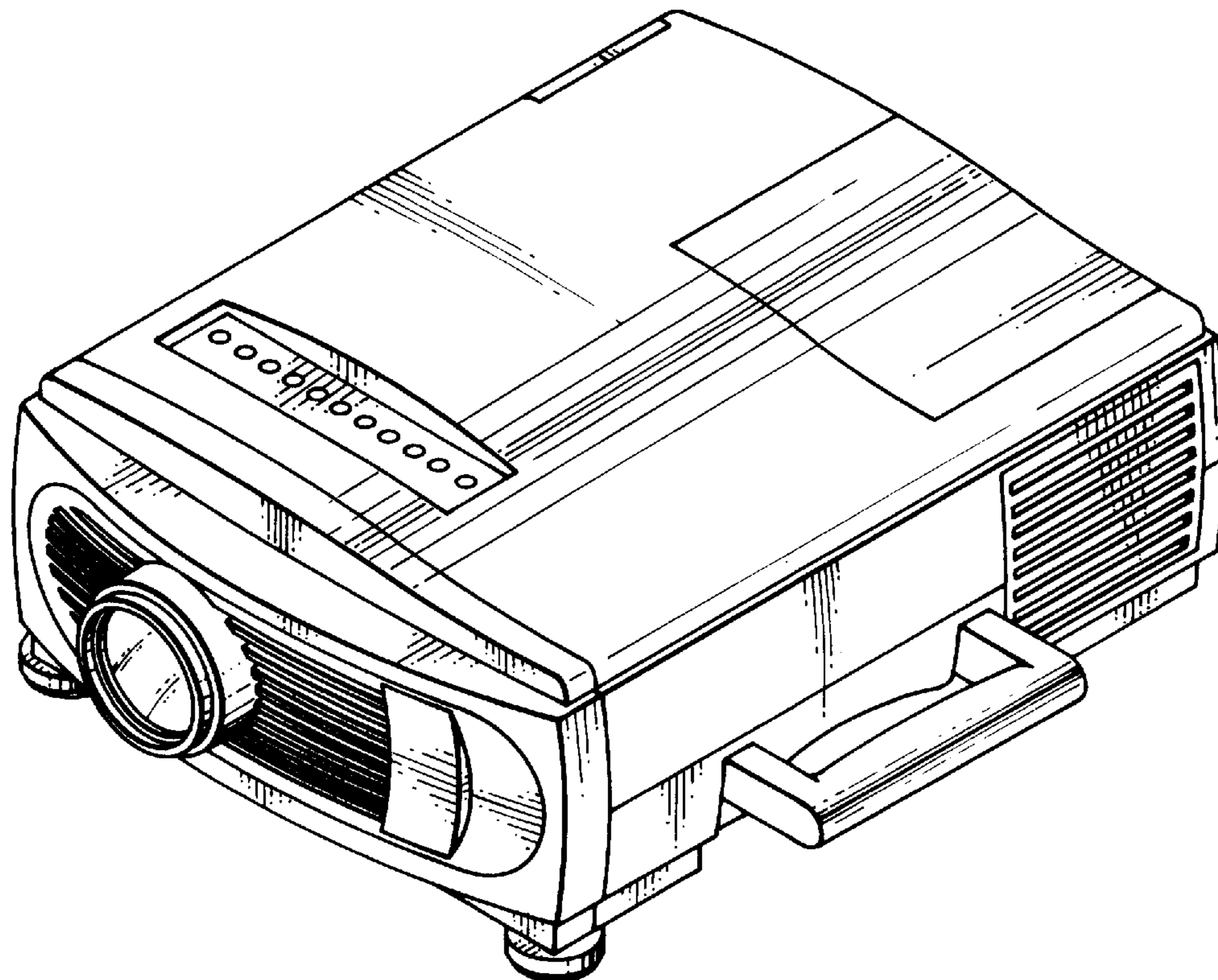


FIG. 1

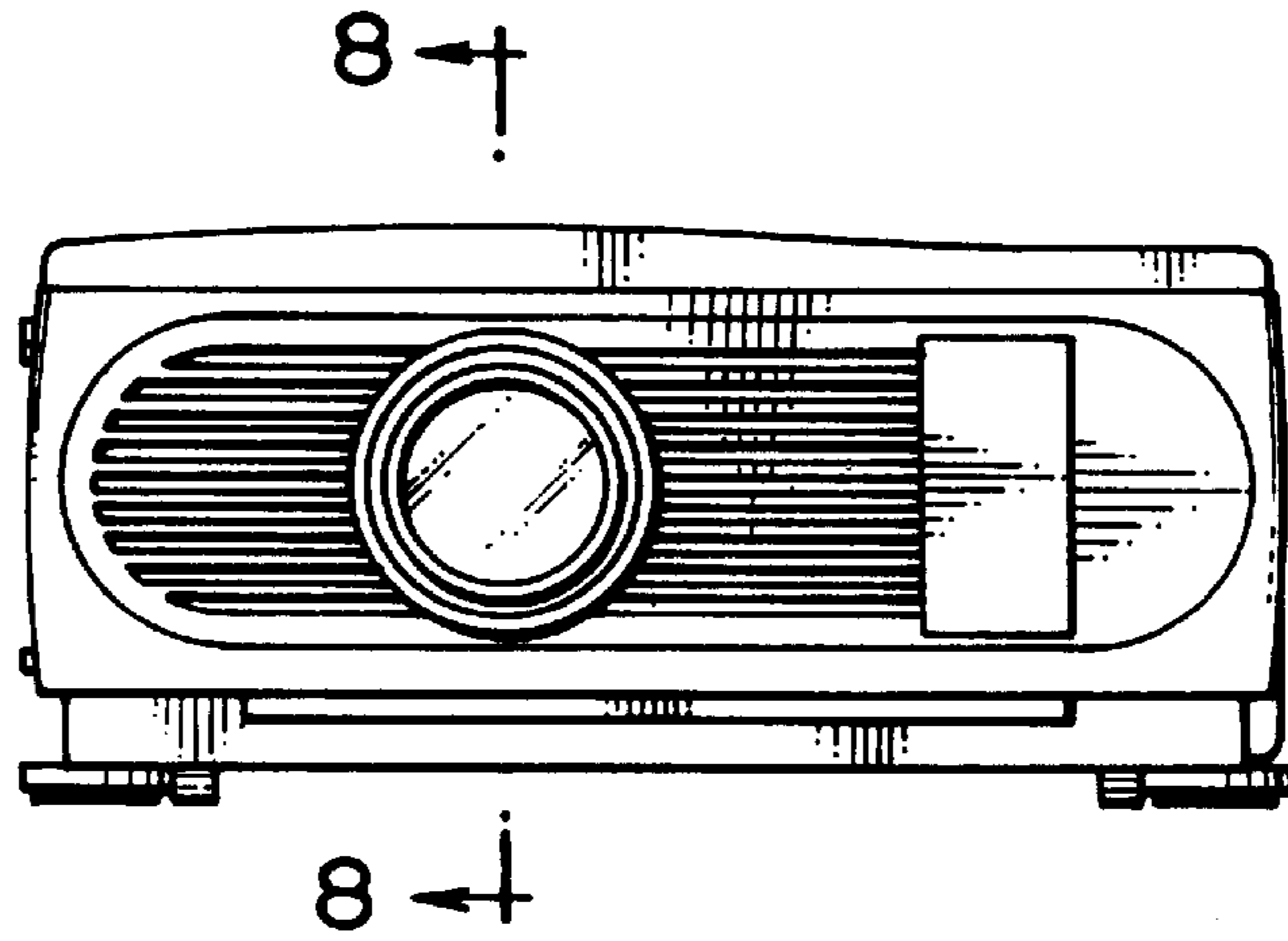


FIG. 2

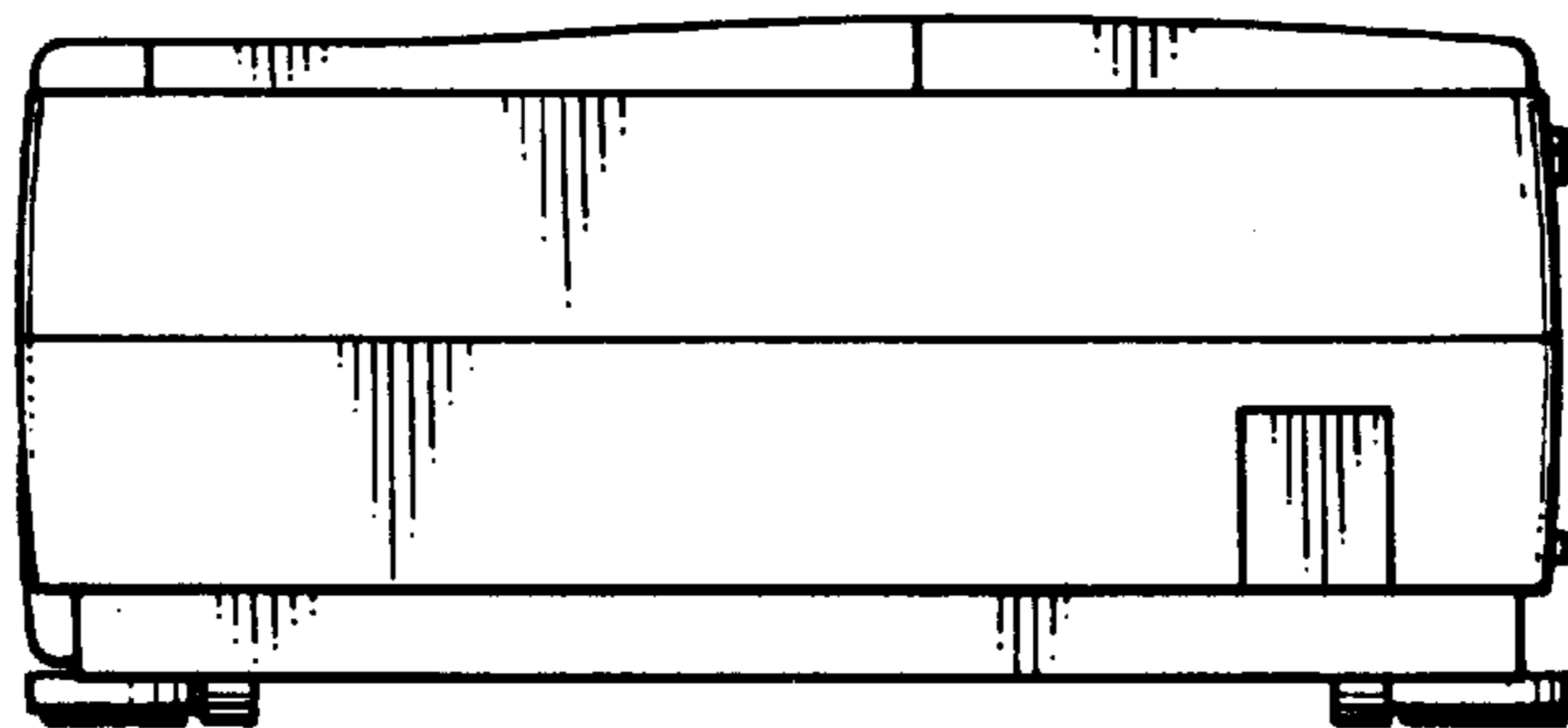


FIG. 3

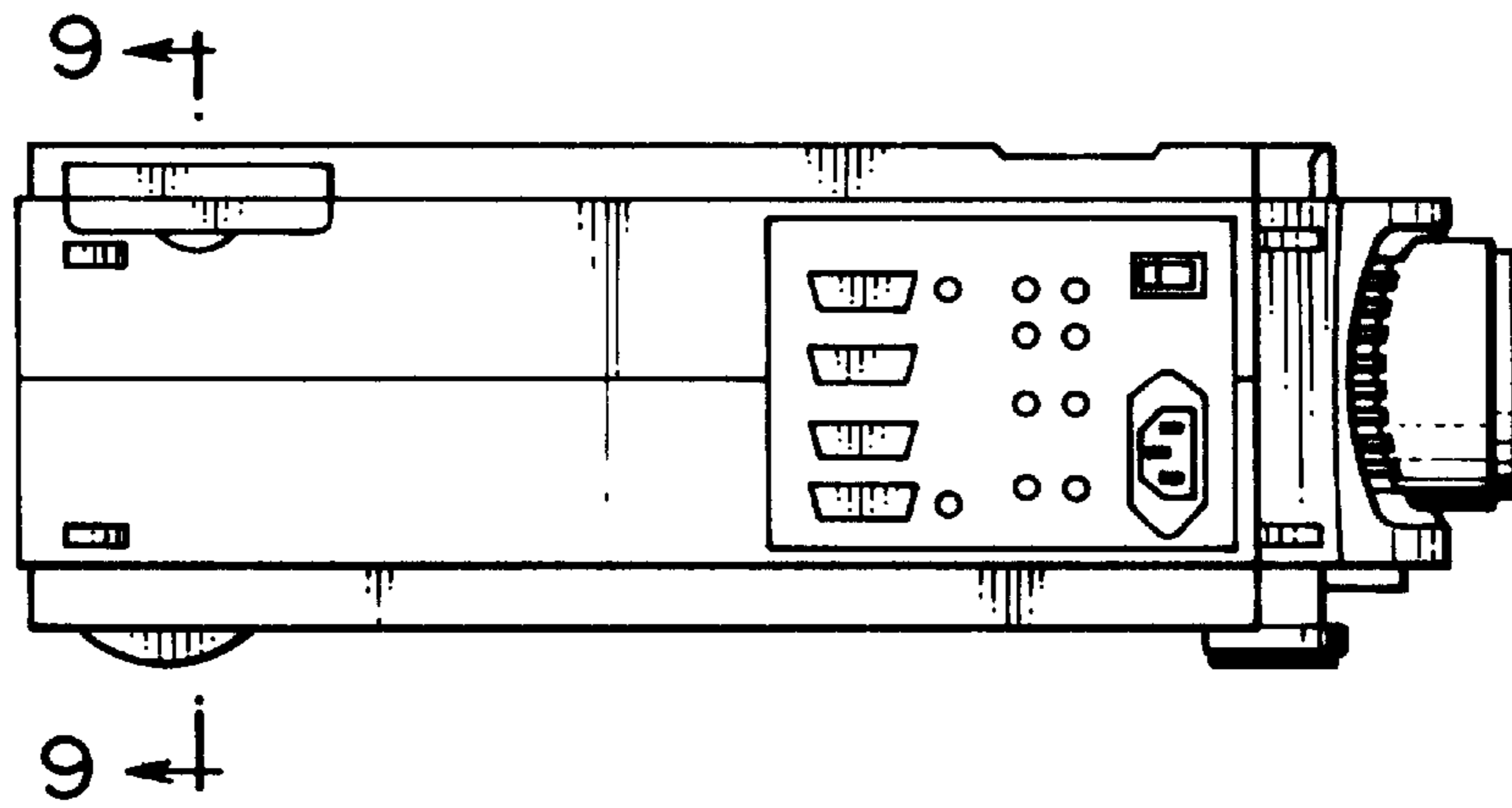


FIG. 4

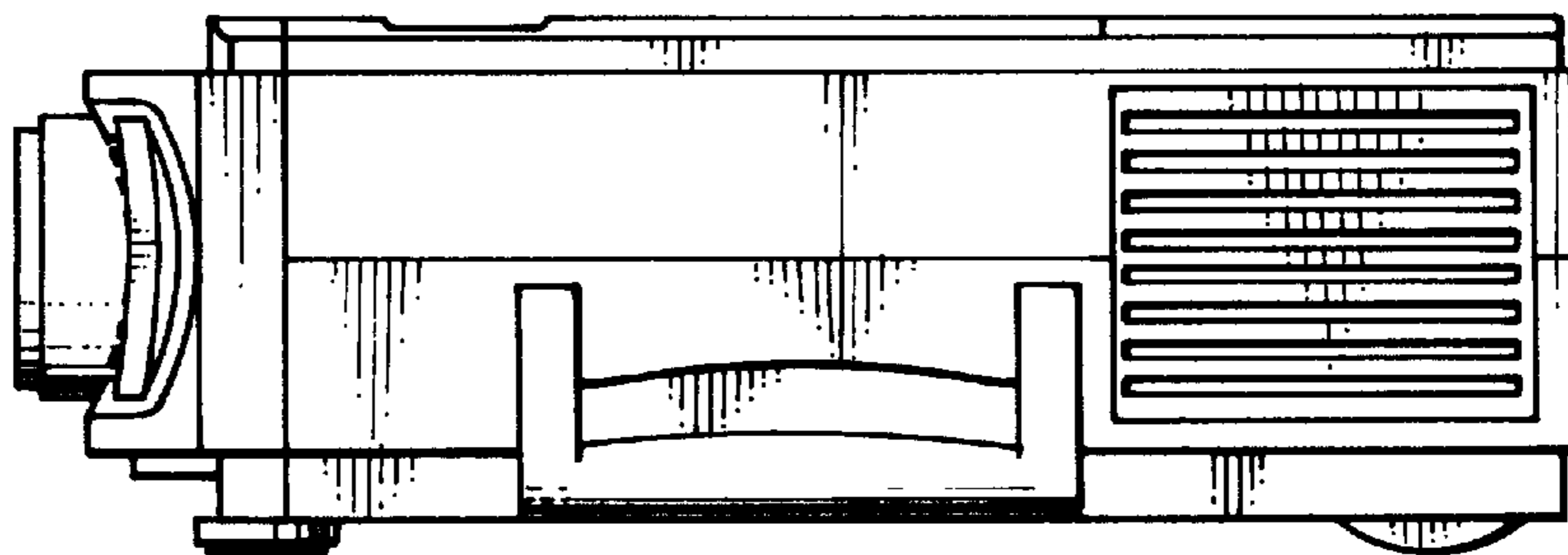


FIG. 5

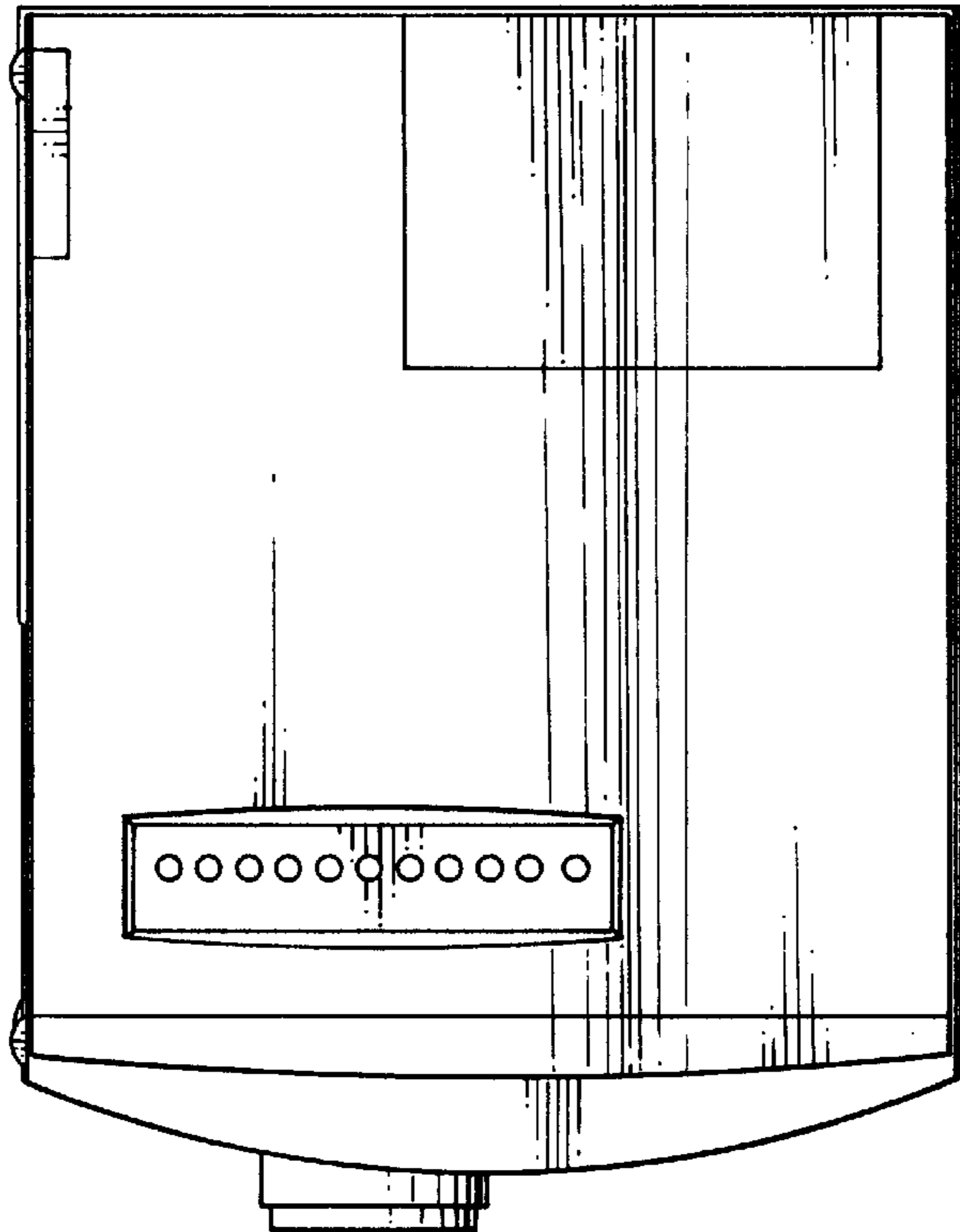


FIG. 6

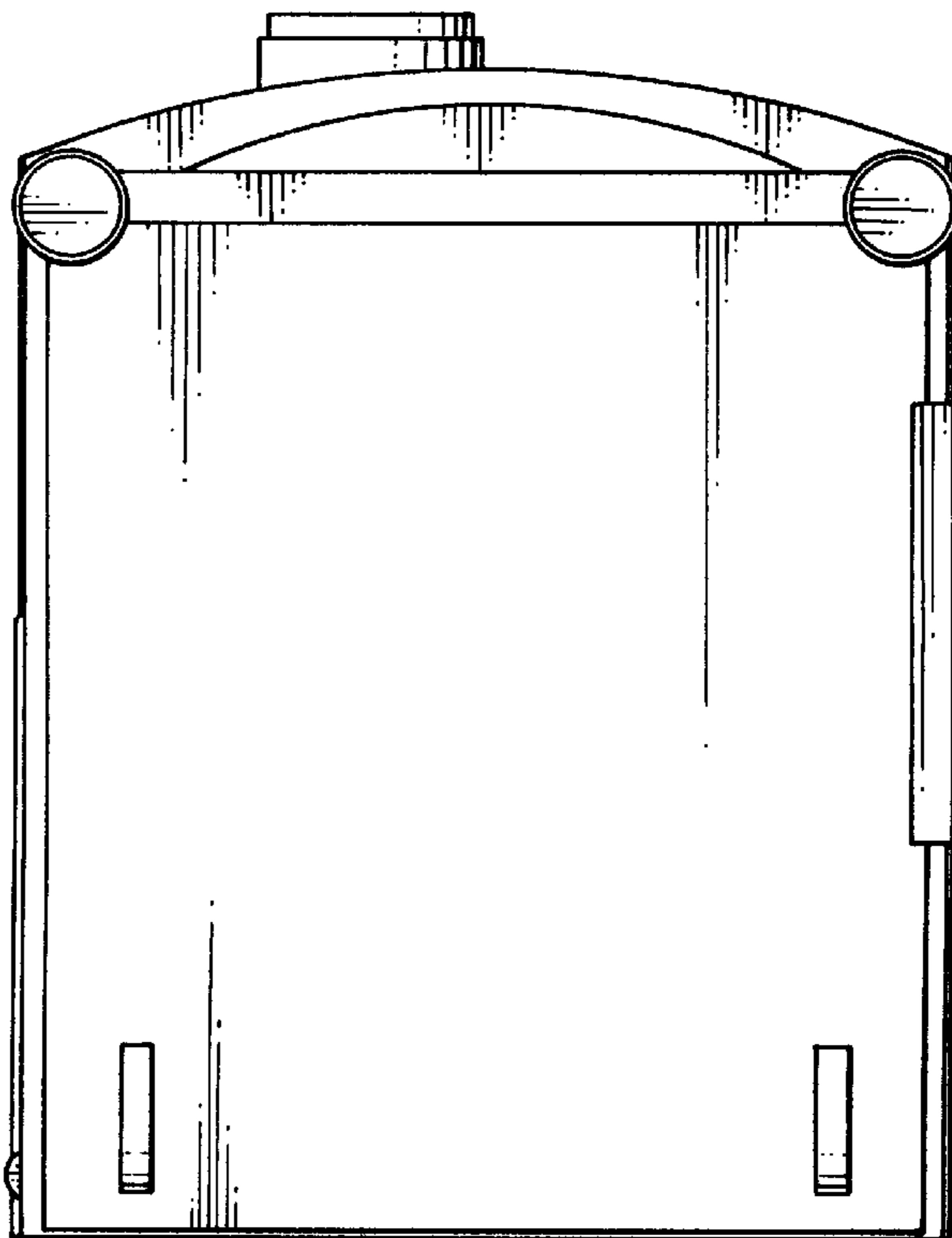


FIG. 7

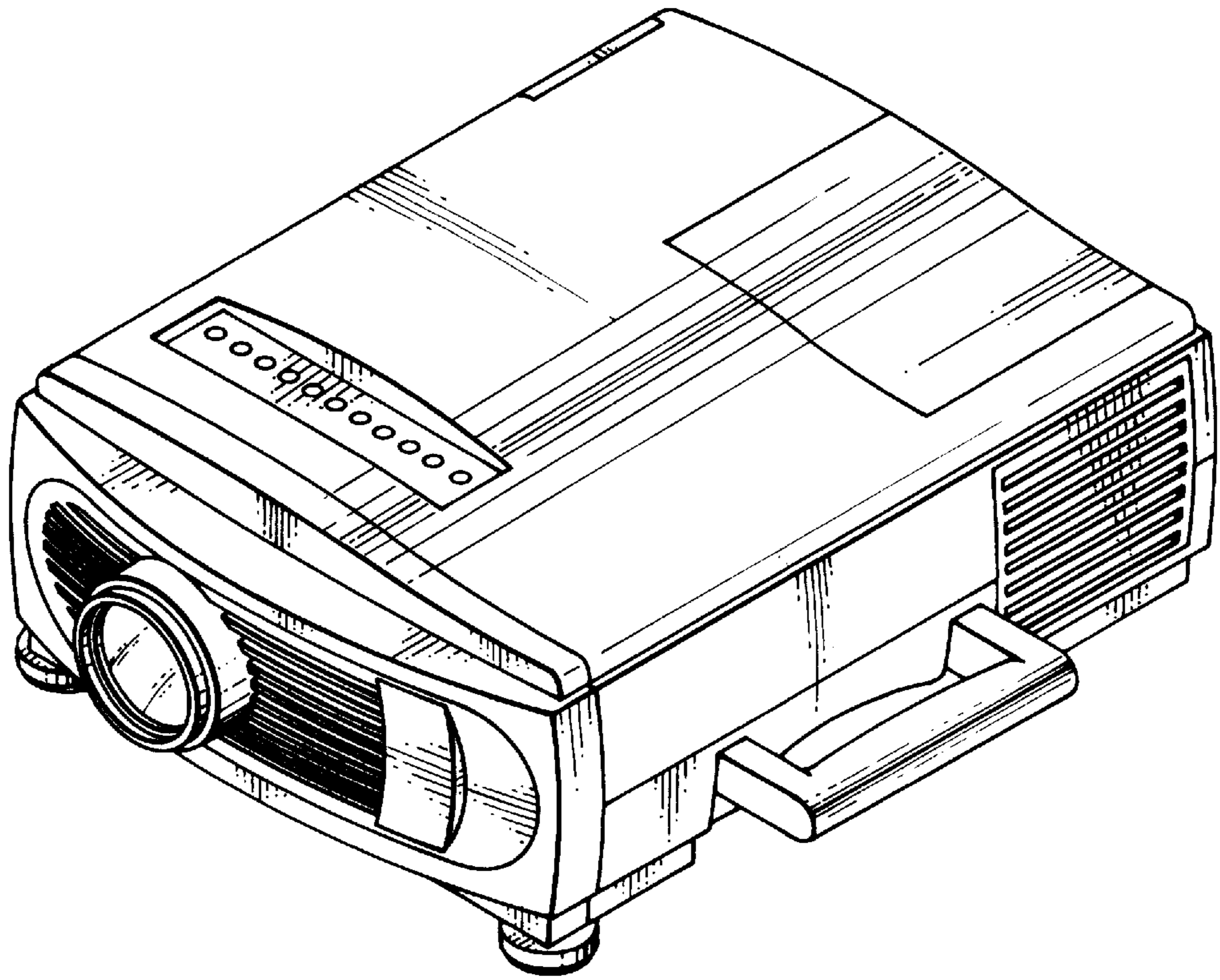


FIG. 8

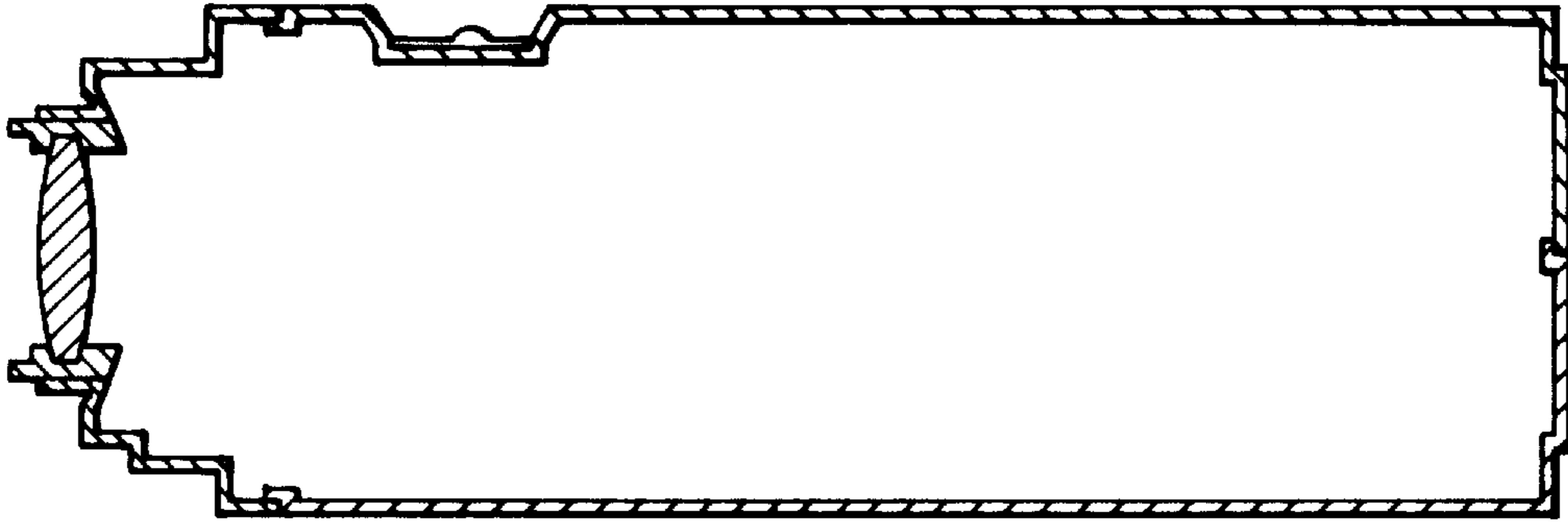


FIG. 9

