



US00D401256S

United States Patent [19]

Harata

[11] **Patent Number: Des. 401,256**

[45] **Date of Patent: **Nov. 17, 1998**

[54] **VIDEO CAMERA COMBINED WITH VIDEO TAPE RECORDER**

5,592,224 1/1997 Shim 348/373

[75] Inventor: **Tomohiro Harata**, Tokyo, Japan

[73] Assignee: **Sony Corporation**, Tokyo, Japan

[**] Term: **14 Years**

[21] Appl. No.: **72,018**

[22] Filed: **Jun. 12, 1997**

OTHER PUBLICATIONS

Video Magazine, p. 91 (Hitachi's VMH-39a), Jan. 1993.

Primary Examiner—Ted Shooman
Assistant Examiner—Adir Aronovich
Attorney, Agent, or Firm—Foley & Lardner

Related U.S. Application Data

[62] Division of Ser. No. 42,751, Aug. 16, 1995, Pat. No. Des. 384,085.

Foreign Application Priority Data

Feb. 20, 1995 [JP] Japan 7-3990

[51] **LOC (6) Cl.** **16-01**

[52] **U.S. Cl.** **D16/202**

[58] **Field of Search** D16/200-208;
348/373-376; 352/242, 243; 358/906; 396/535-543;
H04N 5/225

[57] CLAIM

The ornamental design for a video camera combined with video tape recorder, as shown and described.

DESCRIPTION

FIG. 1 is a top, front perspective view of a video camera combined with vide tape recorder showing my new design; FIG. 2 is a top, rear perspective view thereof the viewing screen shown in an extending away position; FIG. 3 is a top, rear perspective view thereof, the viewing screen shown in the first alternate position; FIG. 4 is a top, rear perspective view thereof, the viewing screen shown in the second alternate position; FIG. 5 is a top, rear perspective view thereof, the viewing screen shown in the third alternate position; FIG. 6 is a top plan view thereof; FIG. 7 is a left side elevational view thereof; FIG. 8 is a front elevational view thereof; FIG. 9 is a right side elevational view thereof; FIG. 10 is a rear elevational view thereof; and, FIG. 11 is a bottom plan view thereof.

[56] References Cited

U.S. PATENT DOCUMENTS

- D. 372,255 7/1996 Nakamura D16/202
- D. 375,107 10/1996 Ishii D16/202
- D. 375,318 11/1996 Ishii D16/202
- D. 376,166 12/1996 Ishii D16/202

1 Claim, 3 Drawing Sheets

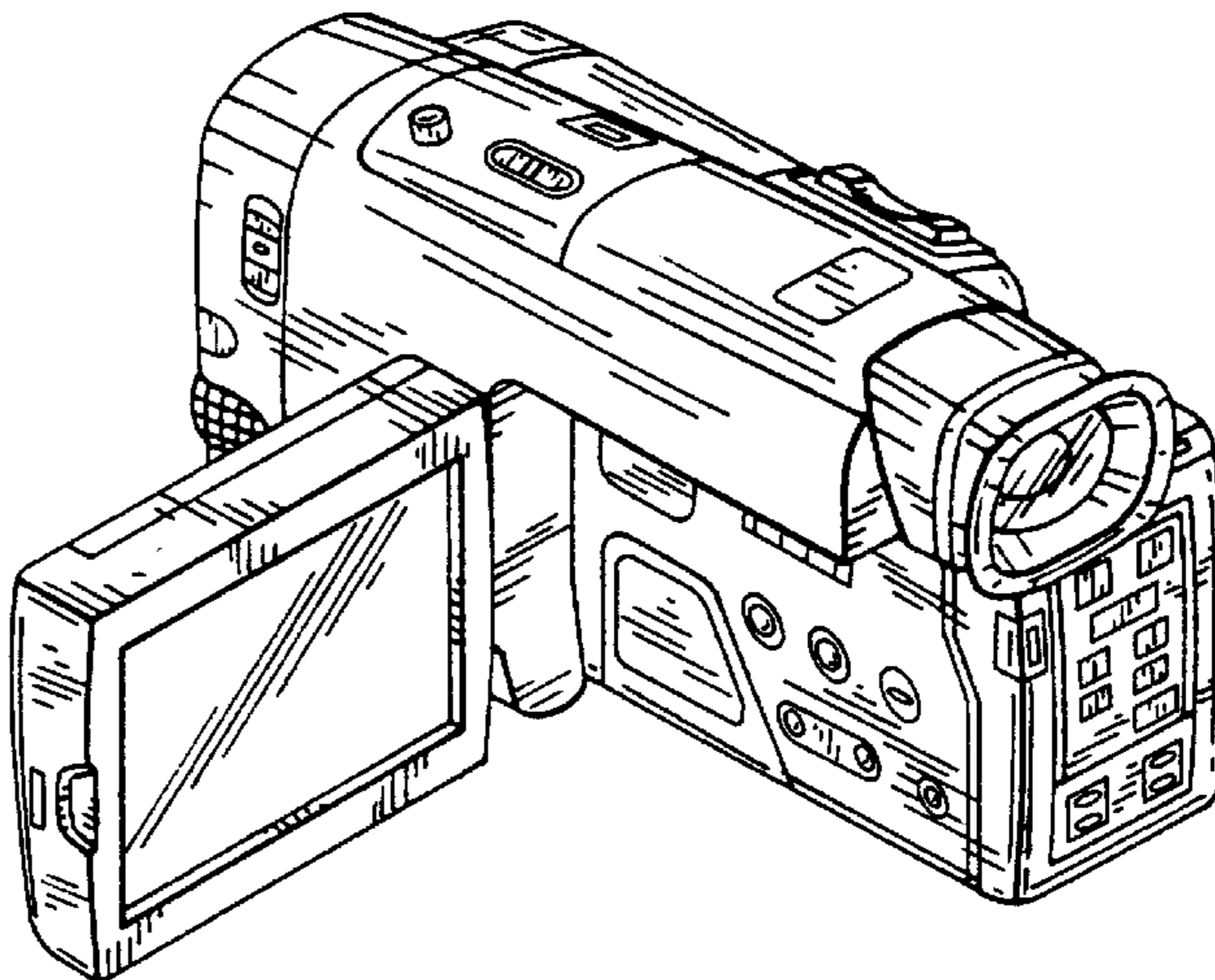
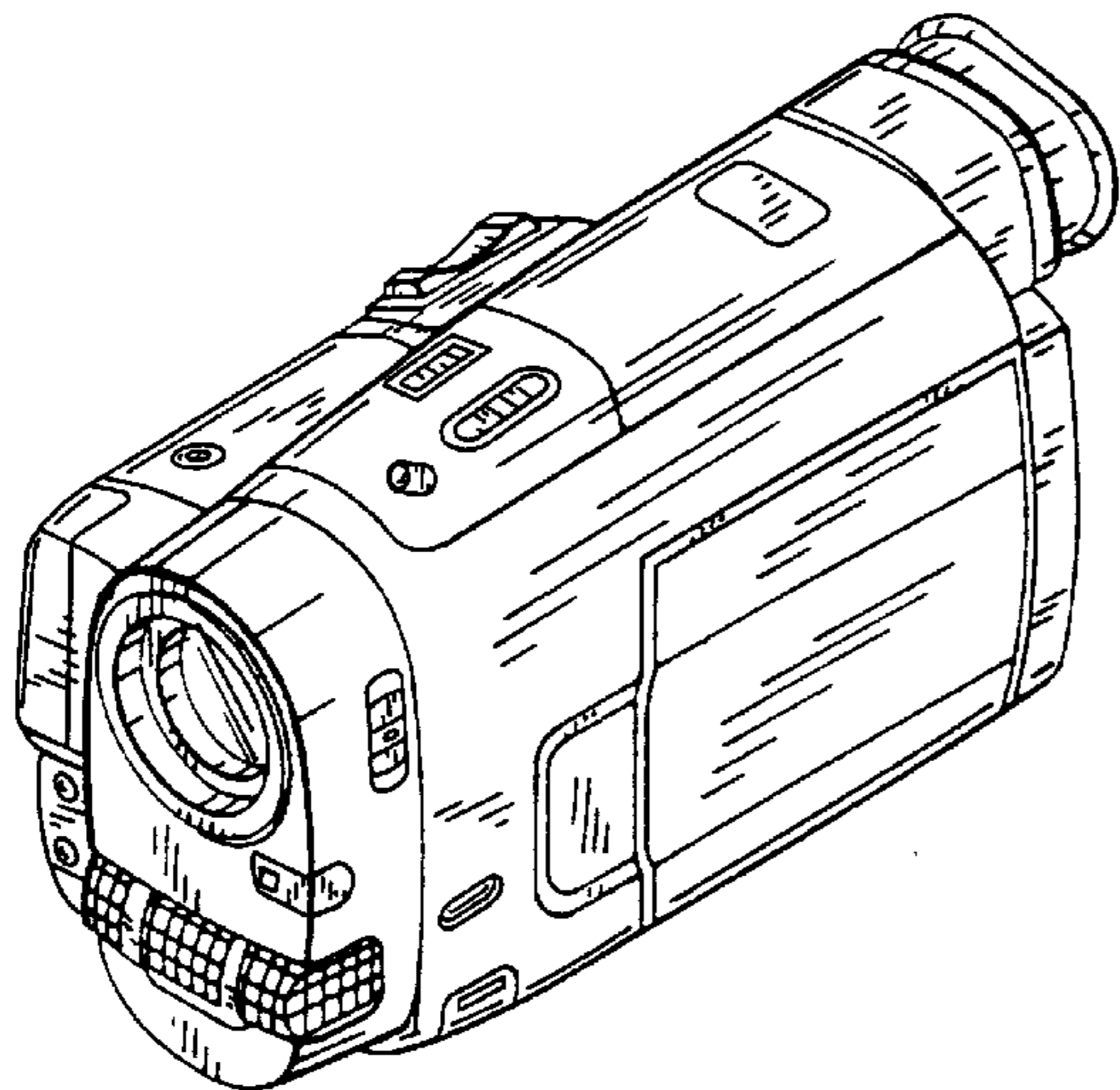


FIG. 2

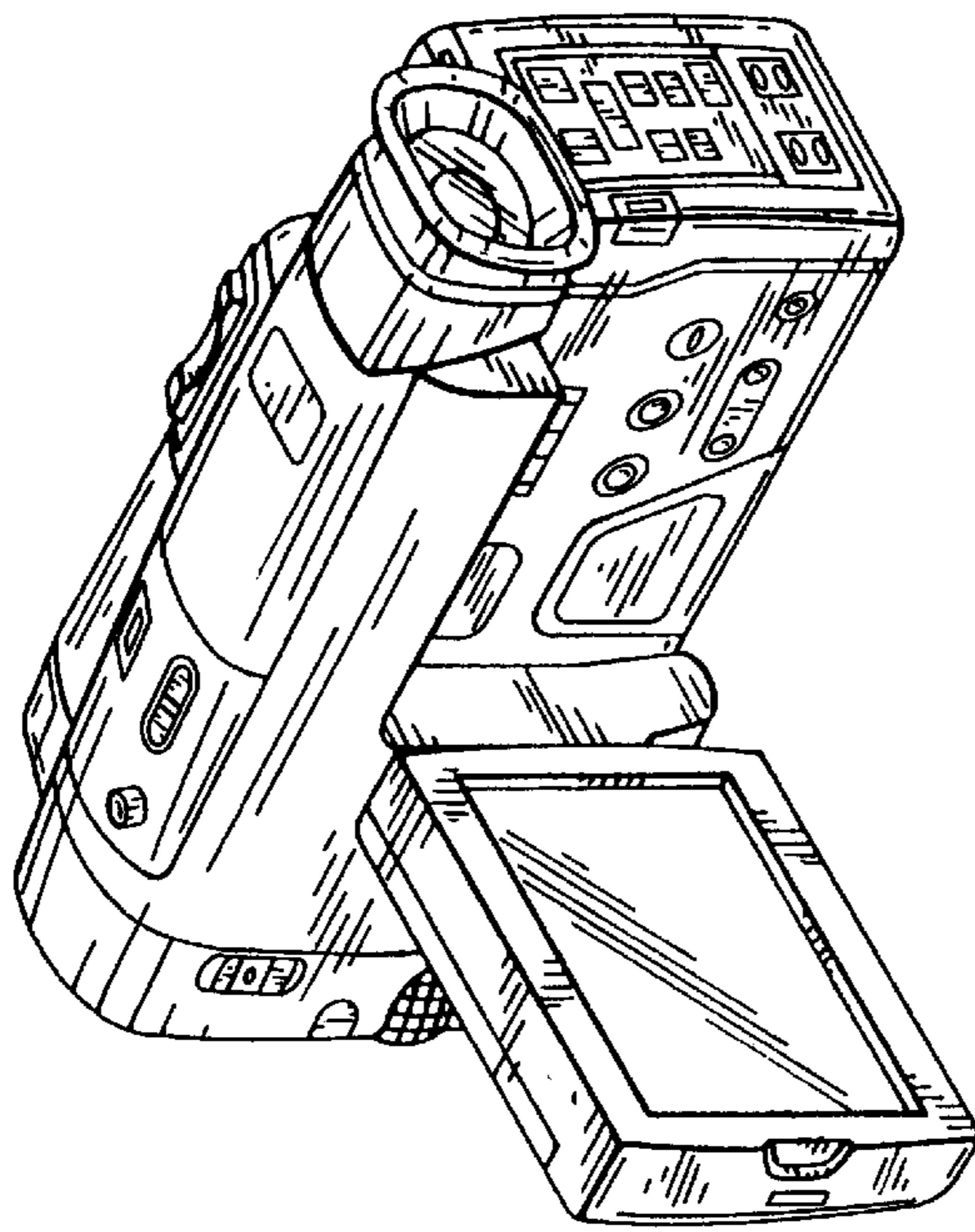


FIG. 4

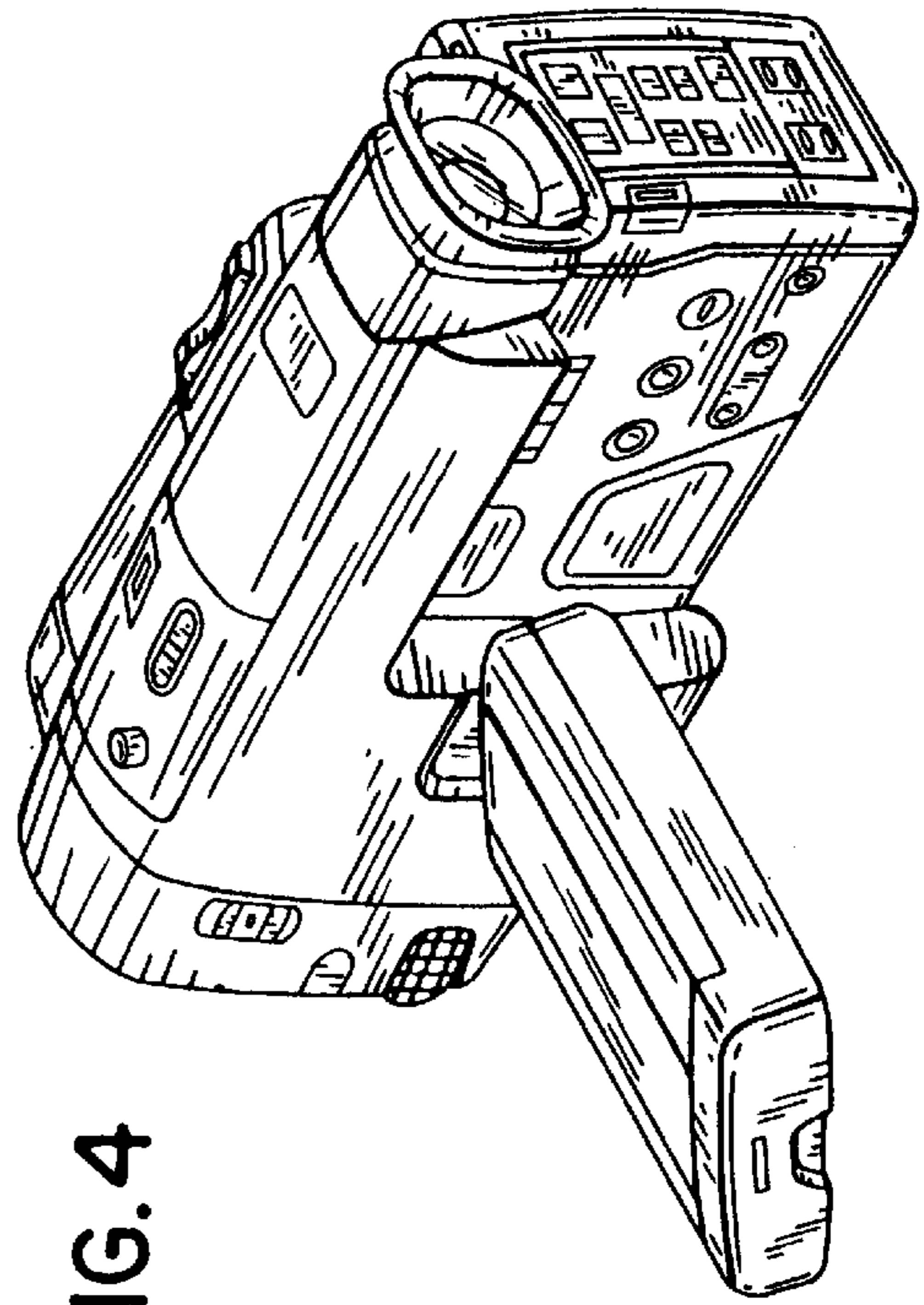


FIG. 1

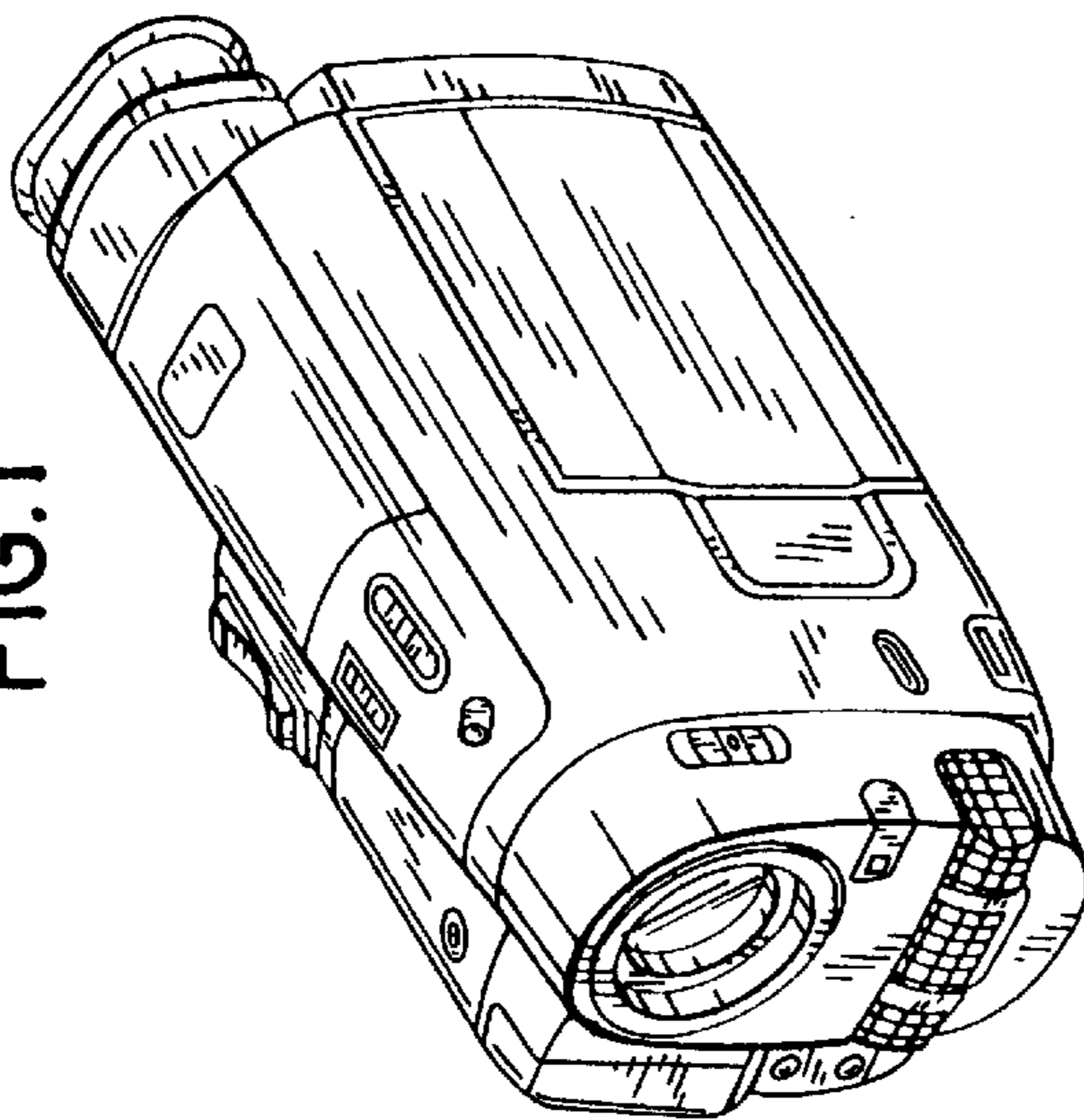


FIG. 3

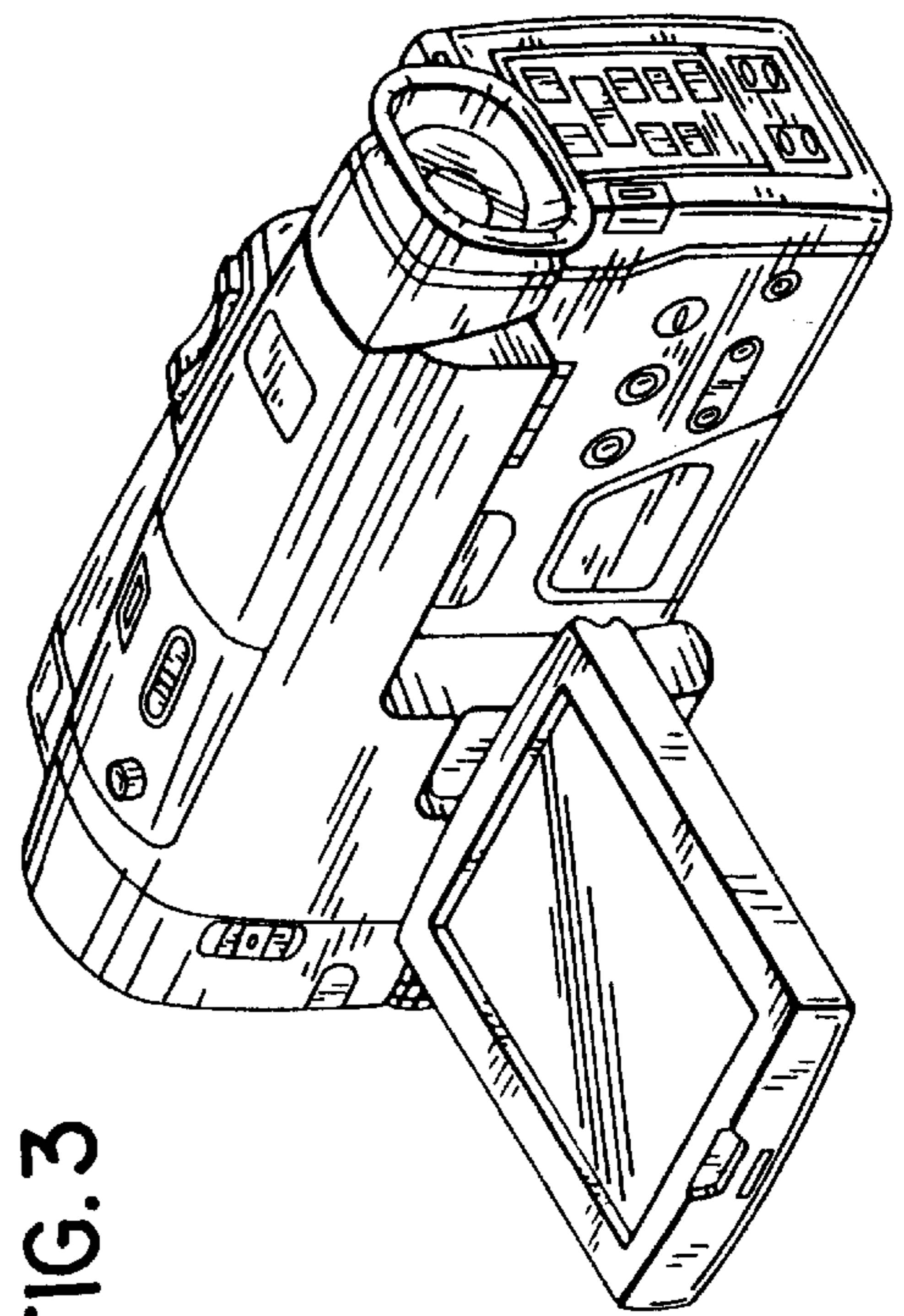


FIG. 6

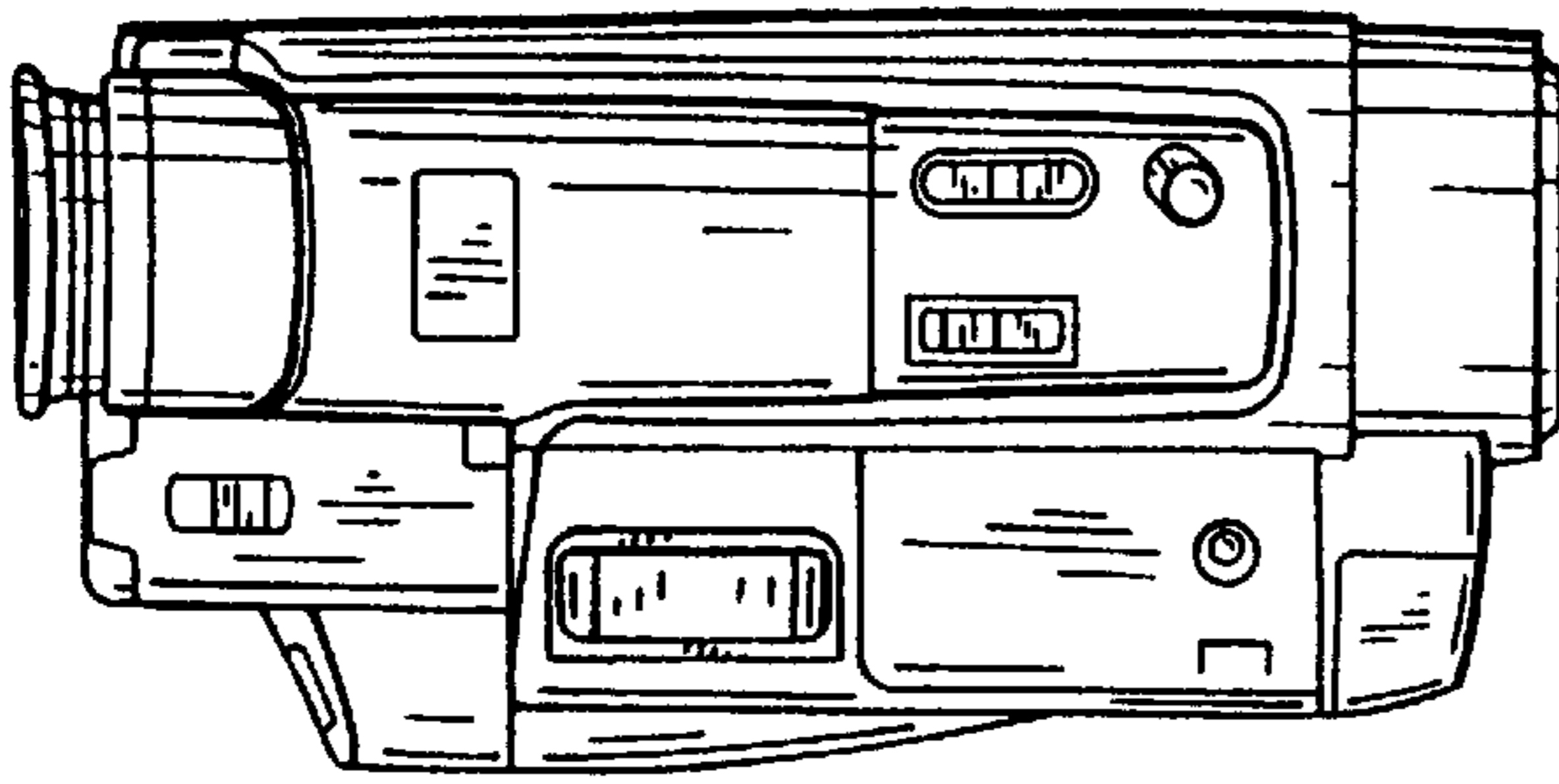


FIG. 5

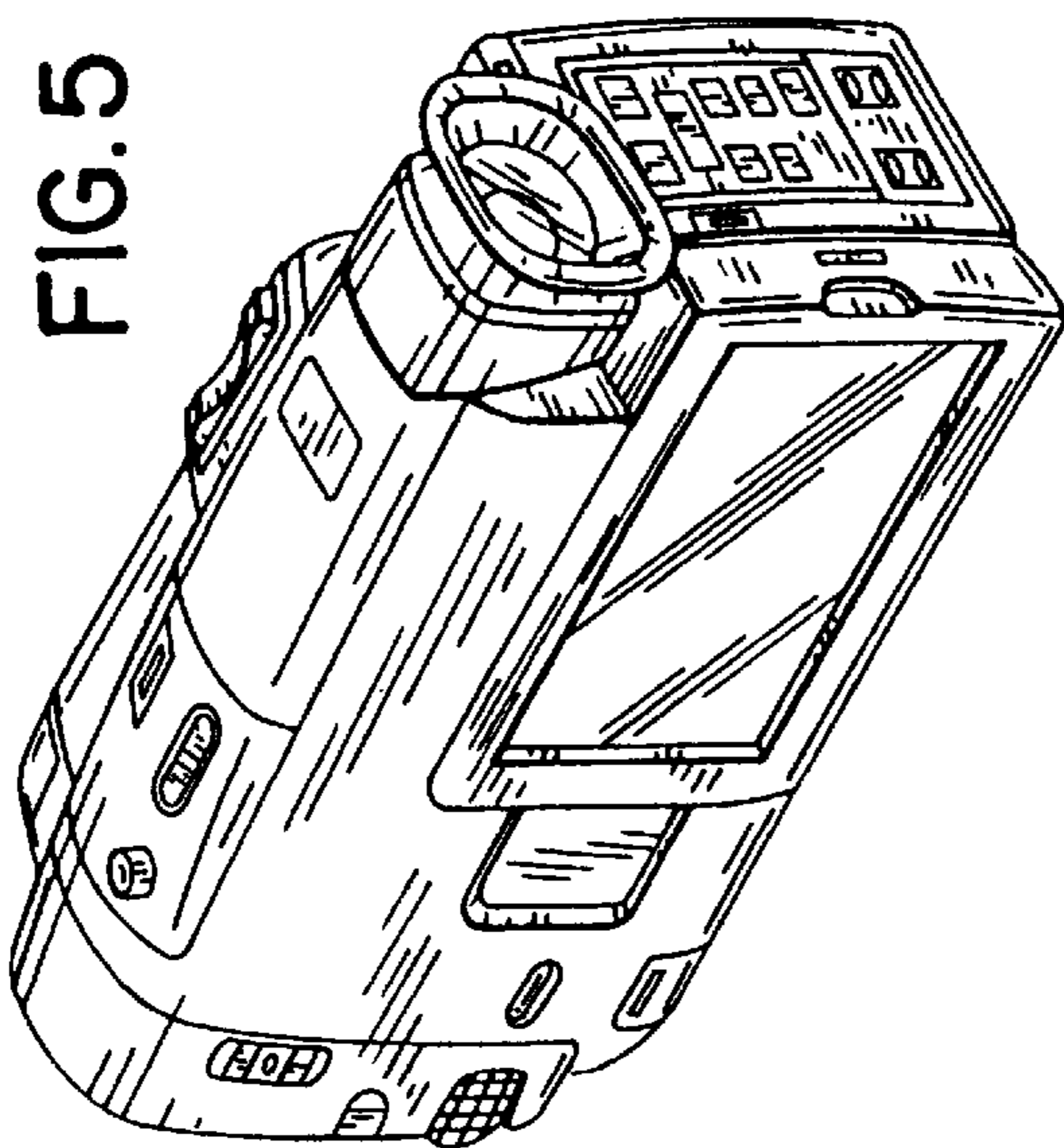


FIG. 8

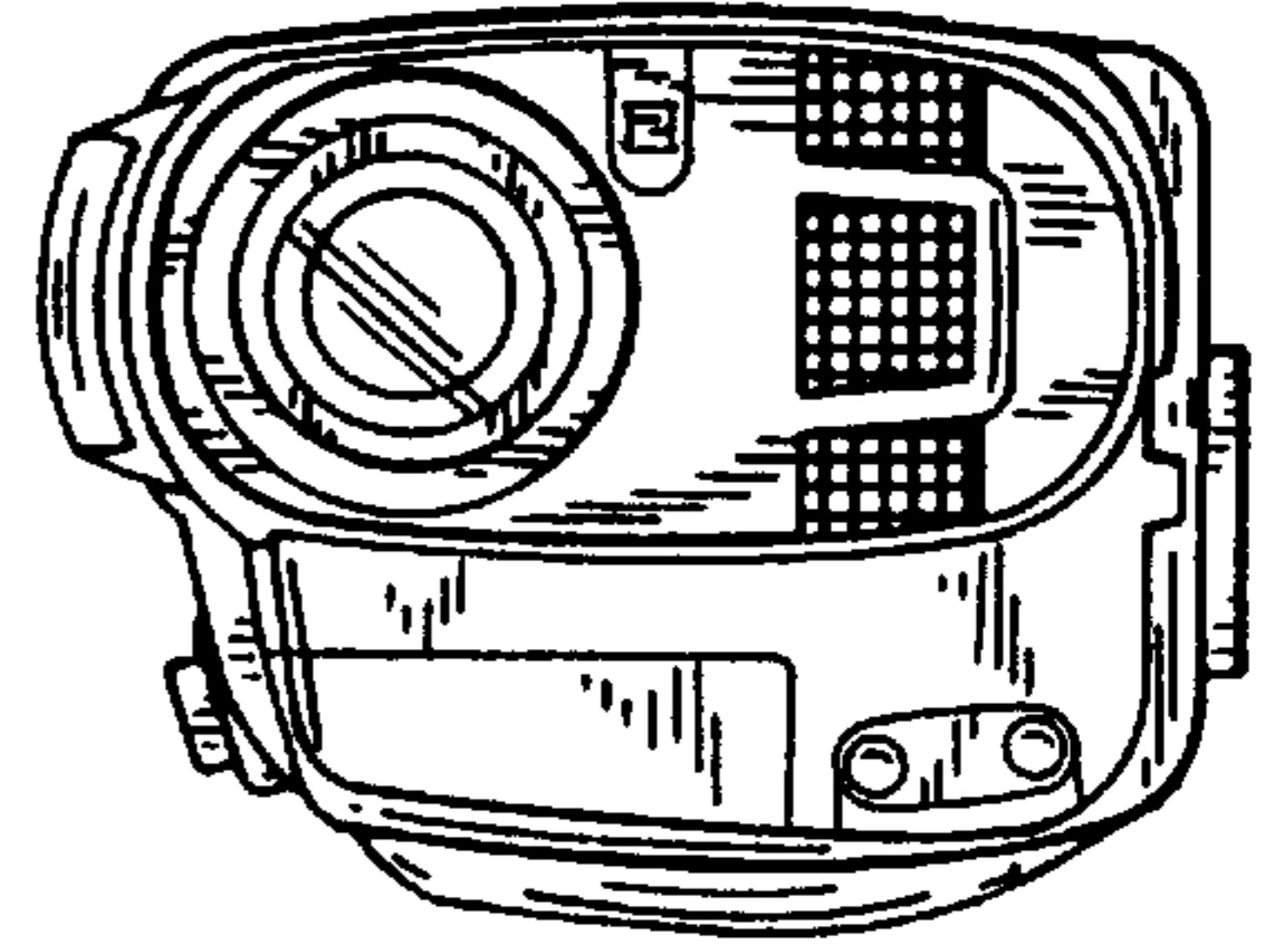


FIG. 7

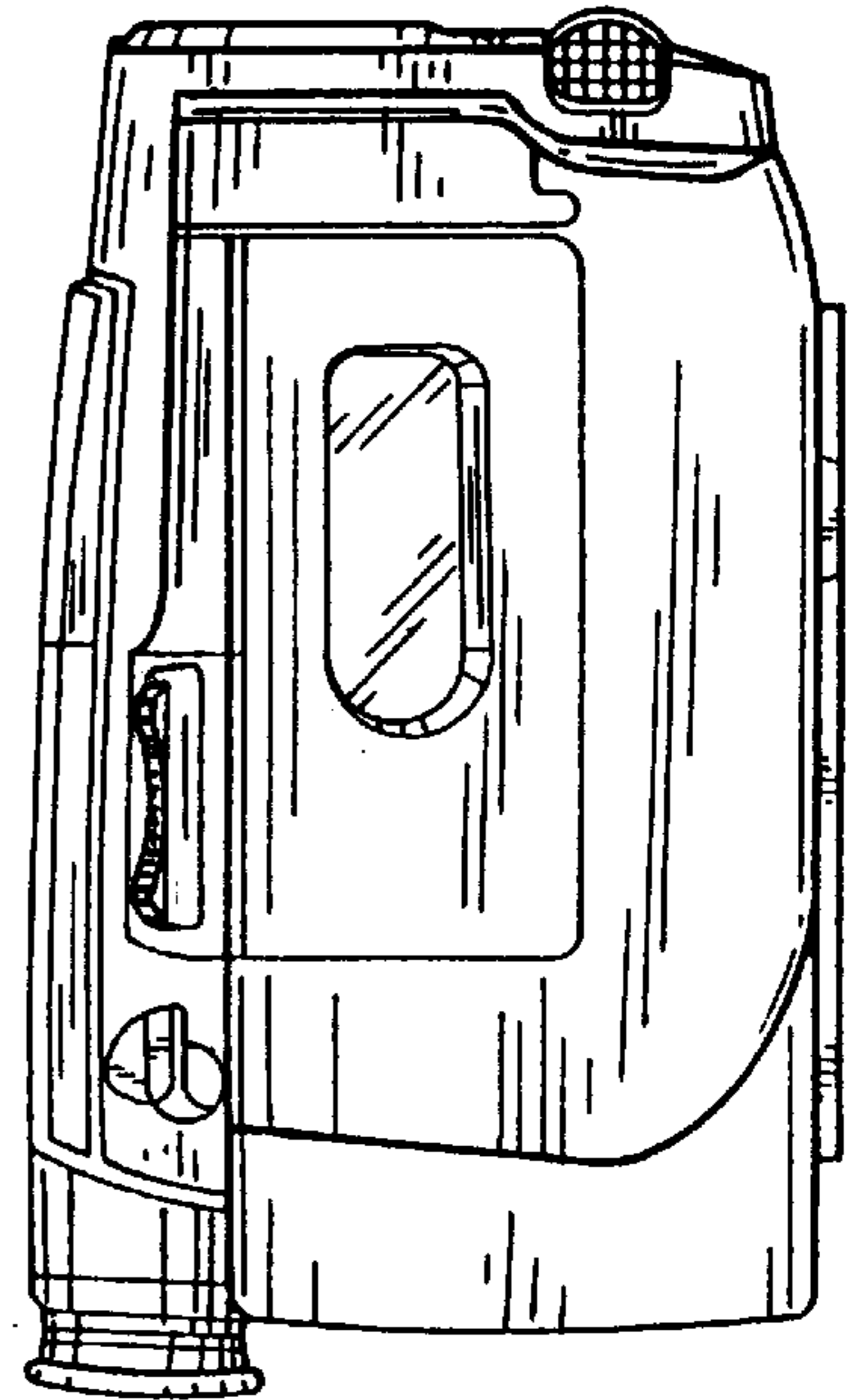


FIG. 9

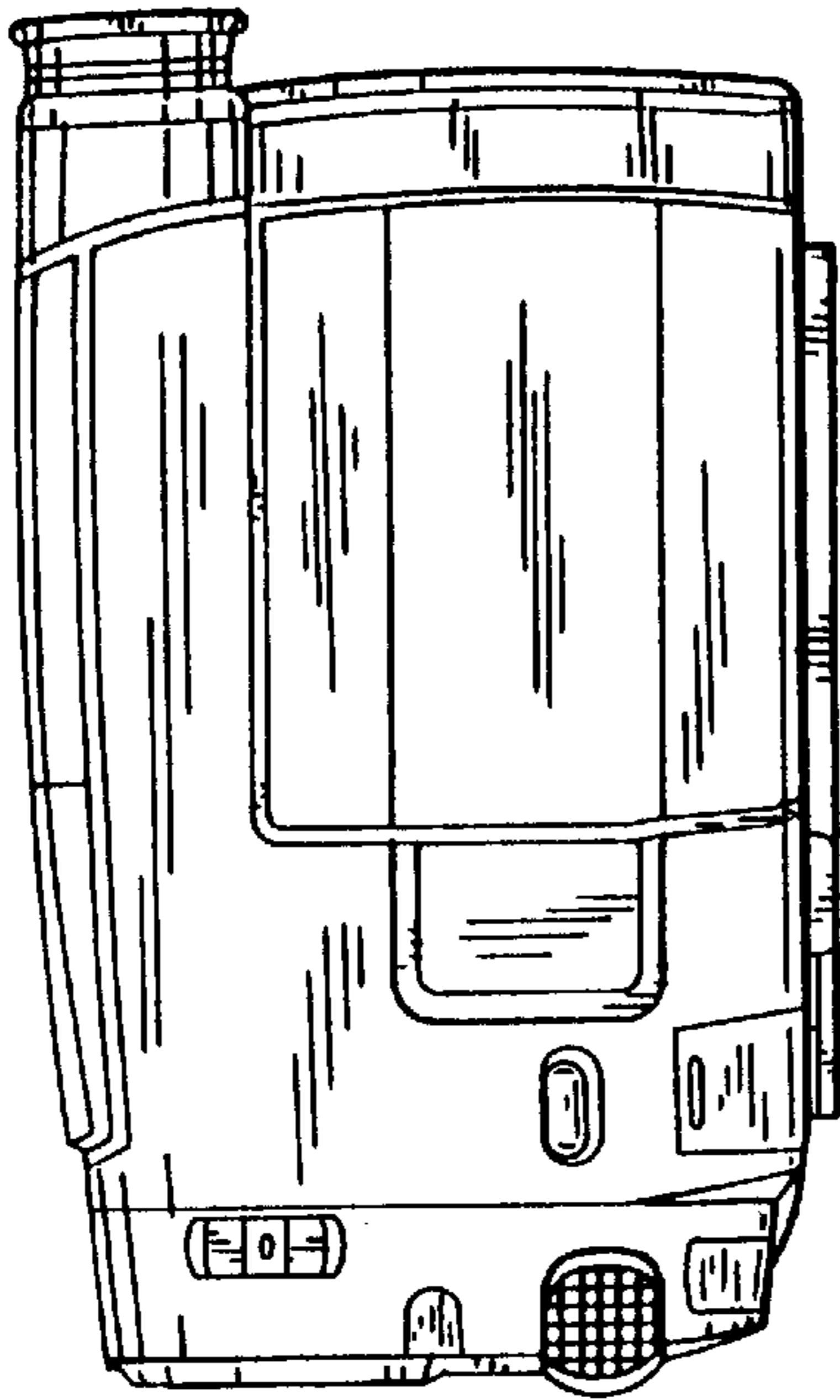


FIG. 11

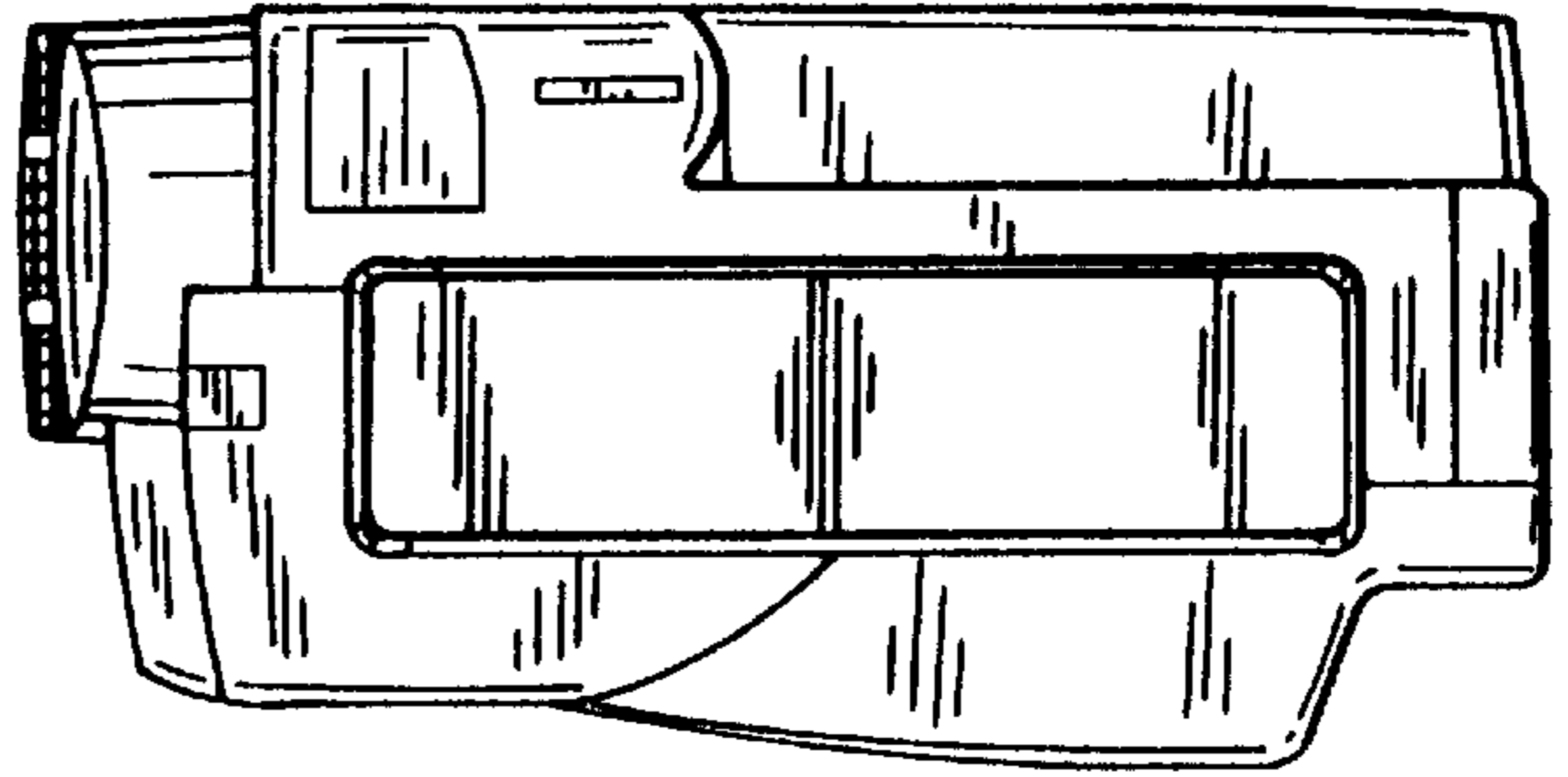


FIG. 10

