



US00D401253S

# United States Patent [19]

Inayama et al.

[11] Patent Number: **Des. 401,253**

[45] Date of Patent: **\*\*Nov. 17, 1998**

[54] **THROW AWAY TIP FOR CUTTING TOOLS**

[75] Inventors: **Takashi Inayama; Tatsuji Kinukawa,**  
both of Aichi, Japan

[73] Assignee: **NGK Spark Plug Co., Ltd.,** Nagoya,  
Japan

[\*\*] Term: **14 Years**

[21] Appl. No.: **73,837**

[22] Filed: **Jun. 30, 1997**

[51] **LOC (6) Cl.** ..... **15-09**

[52] **U.S. Cl.** ..... **D15/139**

[58] **Field of Search** ..... D15/139, 138;  
407/405, 111, 112, 113, 114, 115

[56] **References Cited**

**U.S. PATENT DOCUMENTS**

D. 258,659	3/1981	Nystrom et al. ....	D15/139
4,214,847	7/1980	Kraemer .....	407/114
4,778,311	10/1988	Niemi .	
4,890,961	1/1990	Carl et al. .	

**FOREIGN PATENT DOCUMENTS**

615910	3/1994	Japan .
617803	3/1994	Japan .

*Primary Examiner*—Antoine Duval Davis

*Attorney, Agent, or Firm*—Sughrue, Mion, Zinn, Macpeak  
& Seas, PLLC

[57] **CLAIM**

The ornamental design for a throw away tip for cutting tools,  
as shown and described.

**DESCRIPTION**

FIG. 1 is a perspective view of the front, top and one side of  
a throw away tip for cutting tools showing a first embodi-  
ment of our new design;

FIG. 2 is a top plan view thereof;

FIG. 3 is a front elevational view thereof, the rear elevational  
view being a mirror image thereof;

FIG. 4 is a side elevational view of said one side thereof, the  
opposite side being a mirror image thereof;

FIG. 5 is a bottom plan view thereof;

FIG. 6 is a diagonal elevational view of an acute angle  
corner thereof, the opposite diagonal view being a mirror  
image thereof;

FIG. 7 is a perspective view of the top, front and one side of  
a second embodiment thereof;

FIG. 8 is a top plan view thereof;

FIG. 9 is a front elevational view thereof, the rear elevational  
view being a mirror image thereof;

FIG. 10 is a side elevational view of said one side thereof,  
the opposite side being a mirror image thereof;

FIG. 11 is a bottom plan view thereof;

FIG. 12 is a diagonal elevational view of an acute angle  
corner thereof, the opposite diagonal view being a mirror  
image thereof;

FIG. 13 is a perspective view of the top, front and one side  
of a third embodiment thereof;

FIG. 14 is a top plan view thereof;

FIG. 15 is a front elevational view thereof, the rear eleva-  
tional view being a mirror image thereof;

FIG. 16 is a side elevational view of said one side thereof,  
the opposite side being a mirror image thereof;

FIG. 17 is a bottom plan view thereof;

FIG. 18 is a diagonal elevational view of an acute angle  
corner thereof, the opposite diagonal view being a mirror  
image thereof;

FIG. 19 is a perspective view of the top, front and one side  
of a fourth embodiment thereof;

FIG. 20 is a top plan view thereof;

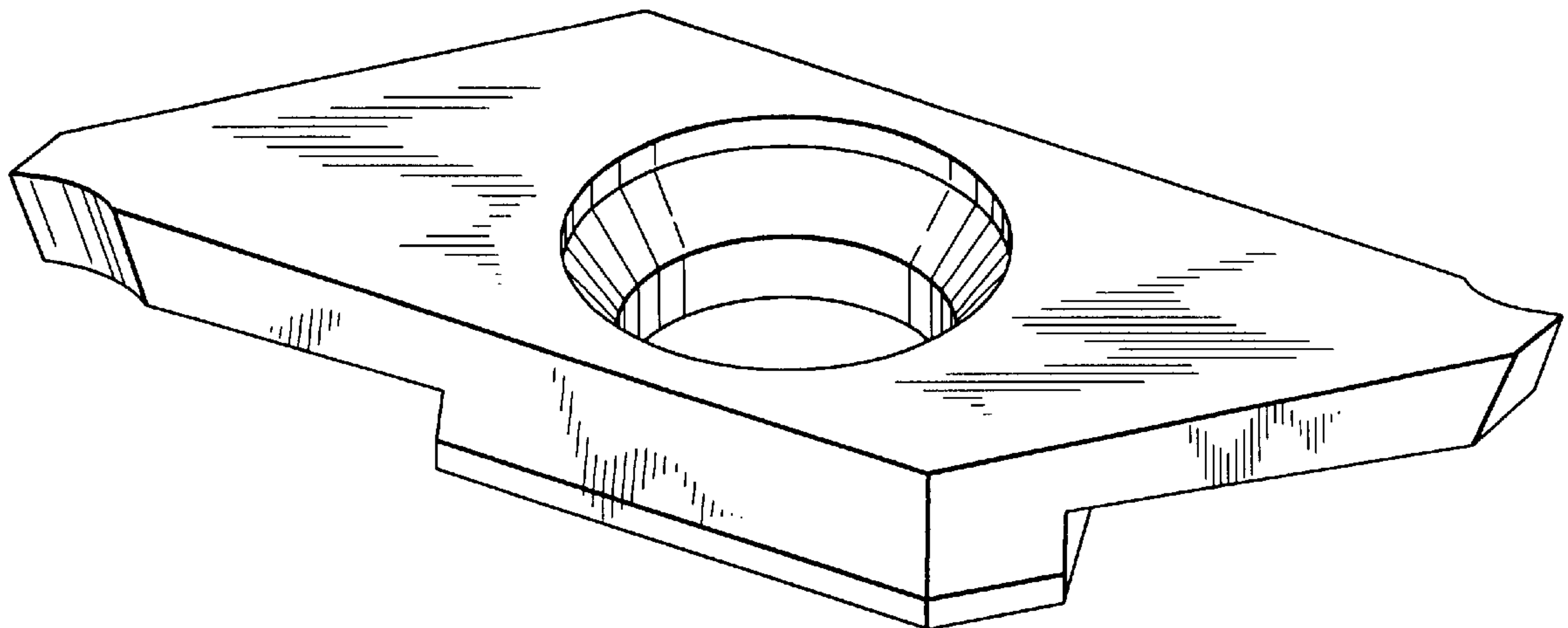
FIG. 21 is a front elevational view thereof, the rear eleva-  
tional view being a mirror image thereof;

FIG. 22 is a side elevational view of said one side thereof,  
the opposite side being a mirror image thereof;

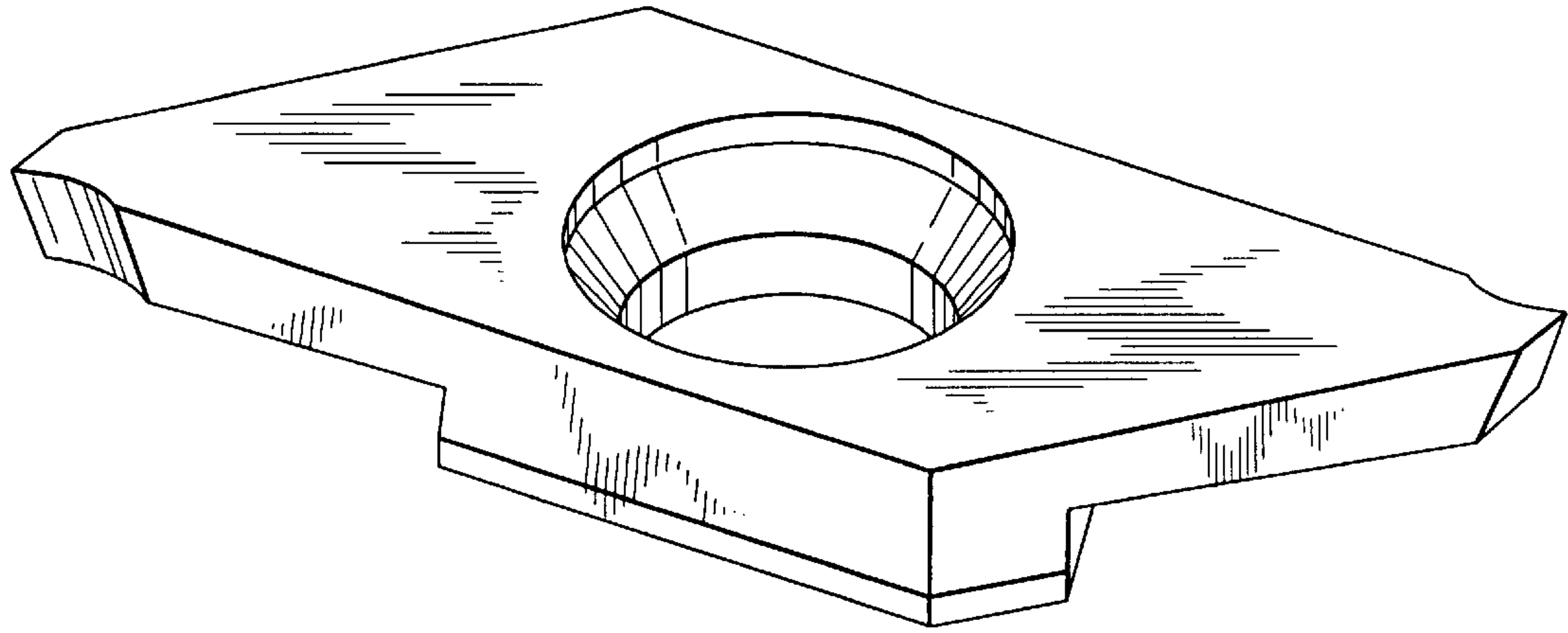
FIG. 23 is a bottom plan view thereof; and,

FIG. 24 is a diagonal elevational view of an acute angle  
corner thereof, the opposite diagonal view being a mirror  
image thereof.

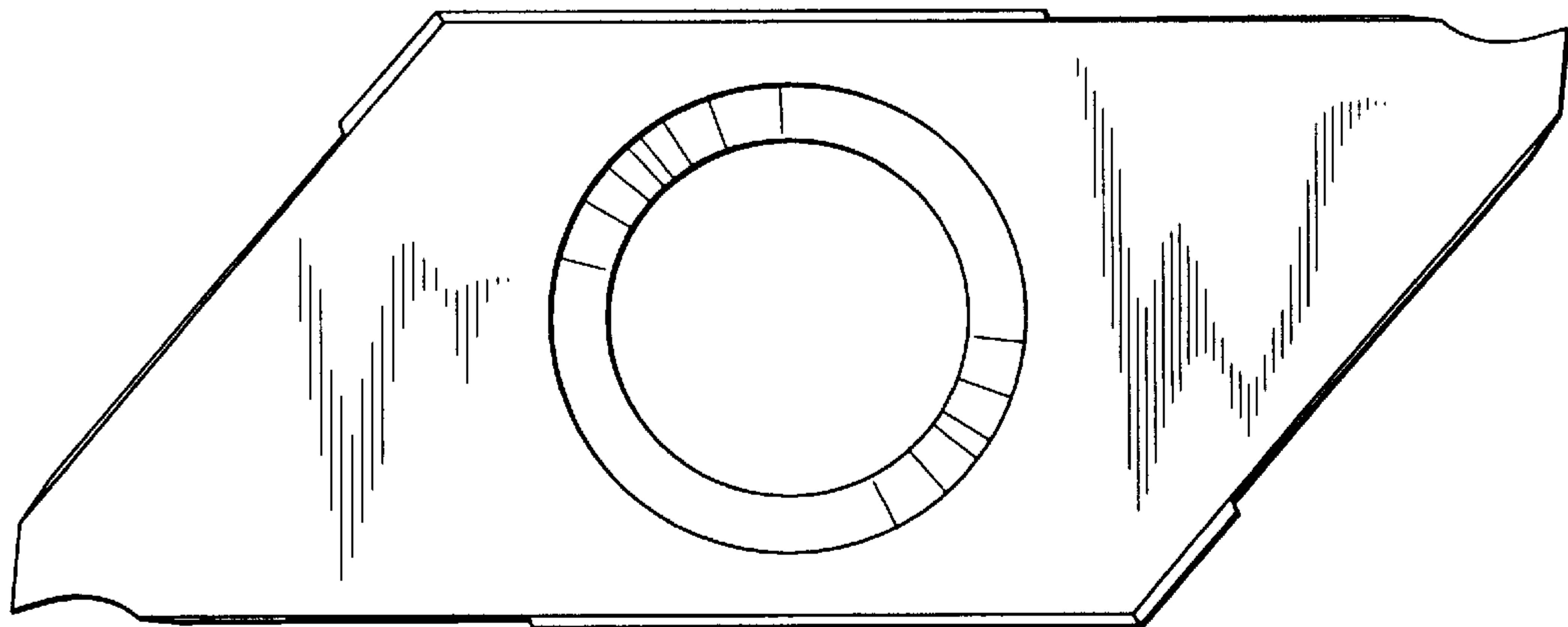
**1 Claim, 8 Drawing Sheets**



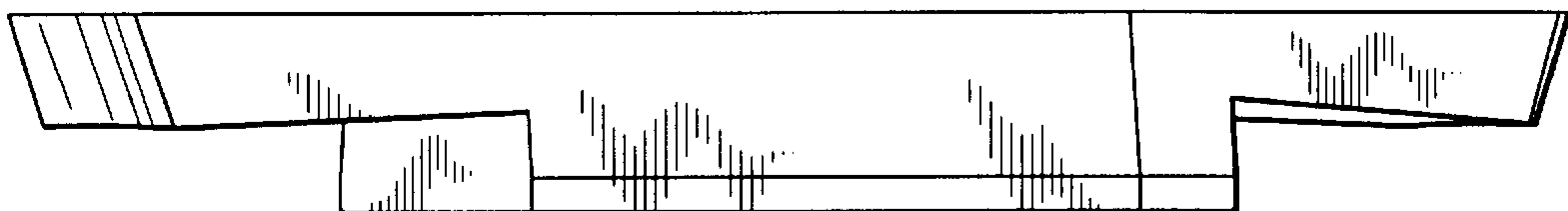
**FIG. 1**



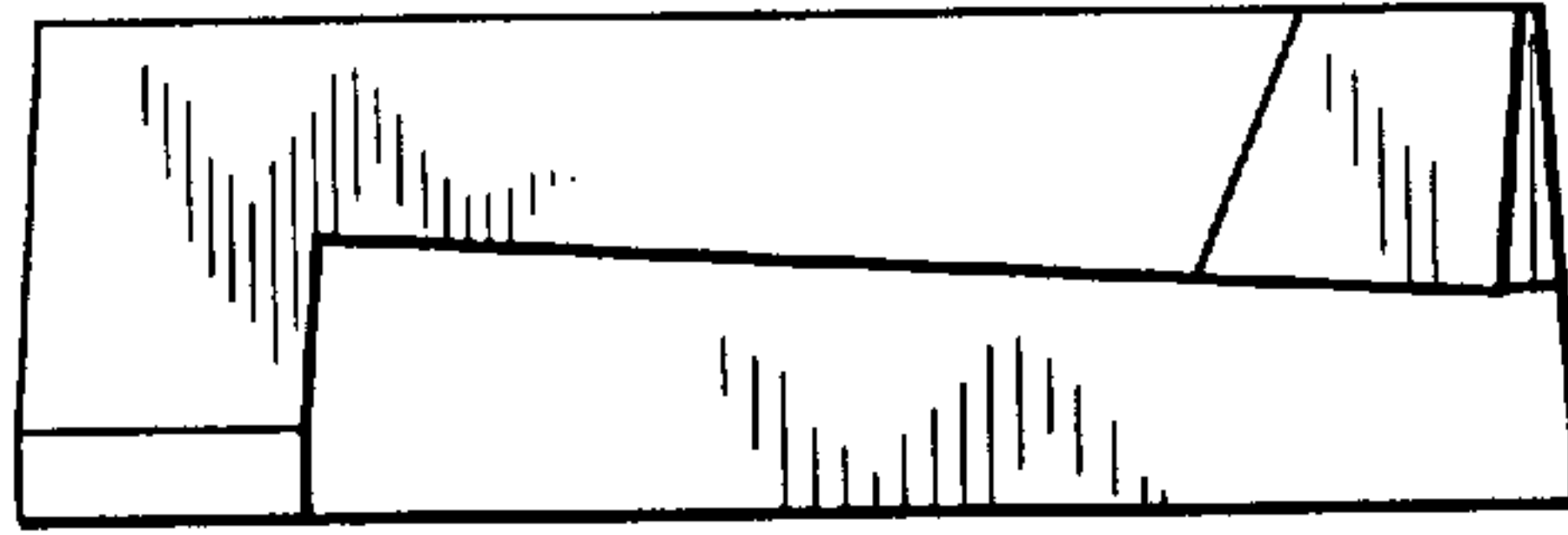
**FIG. 2**



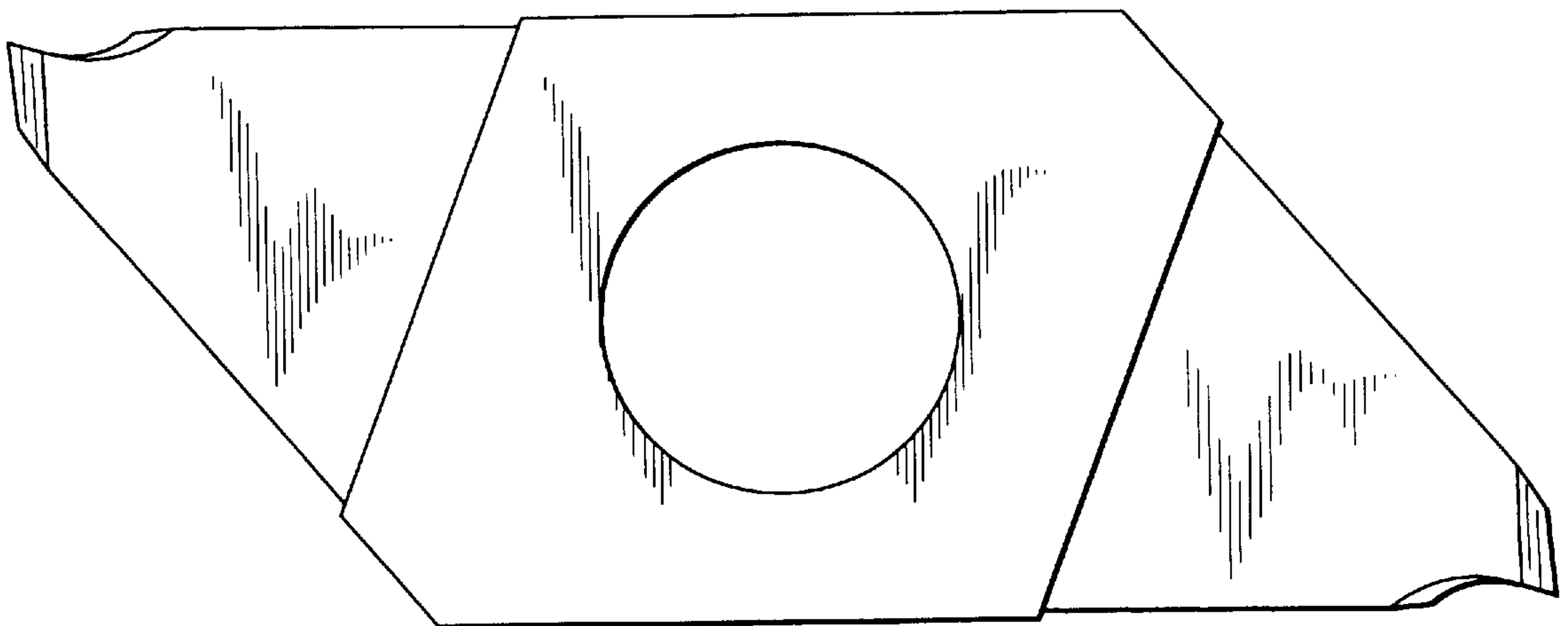
**FIG. 3**



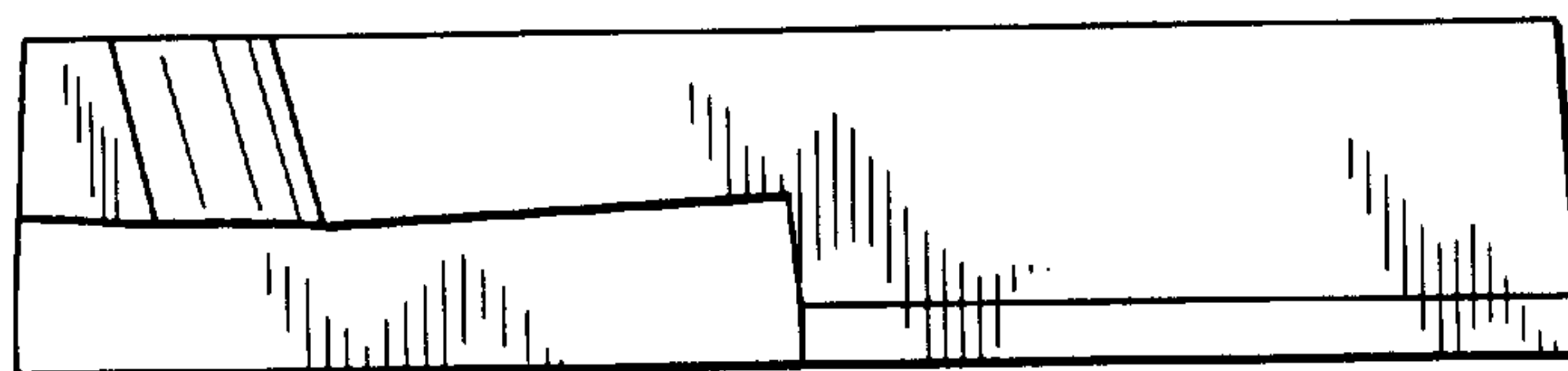
*FIG. 4*



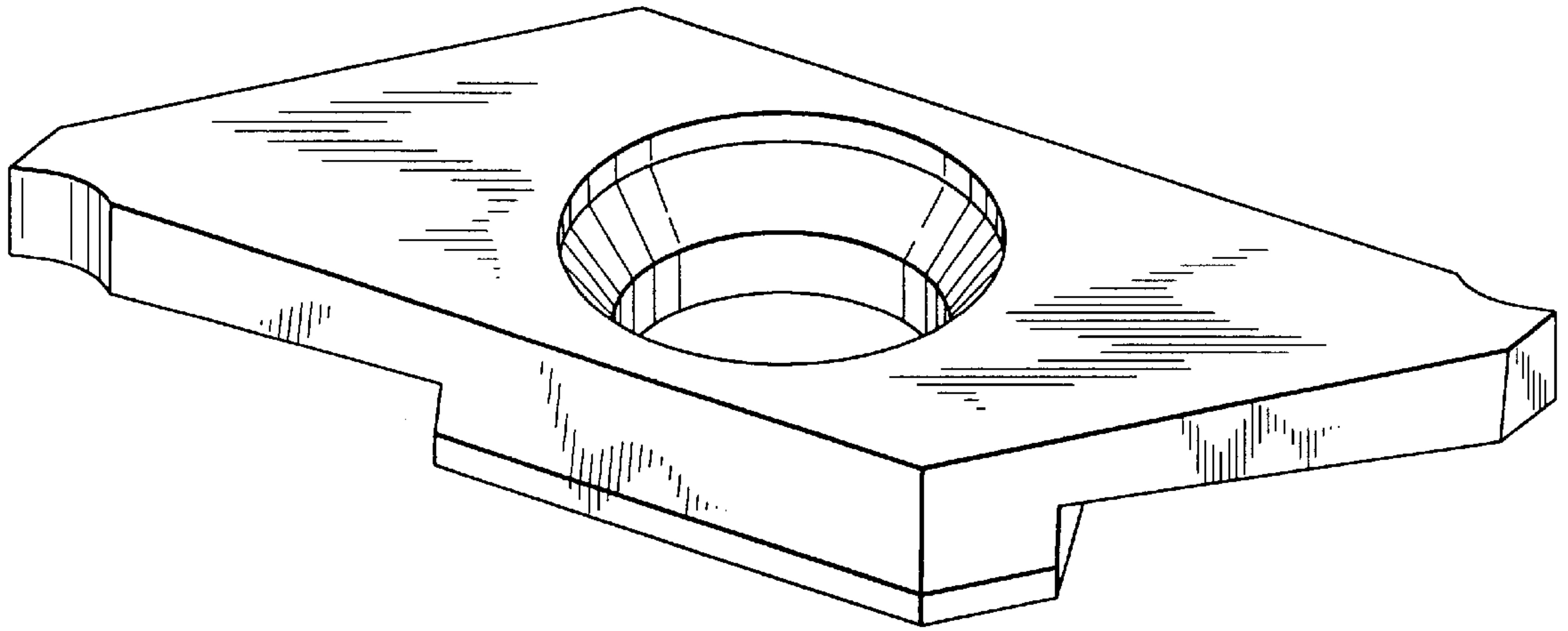
*FIG. 5*



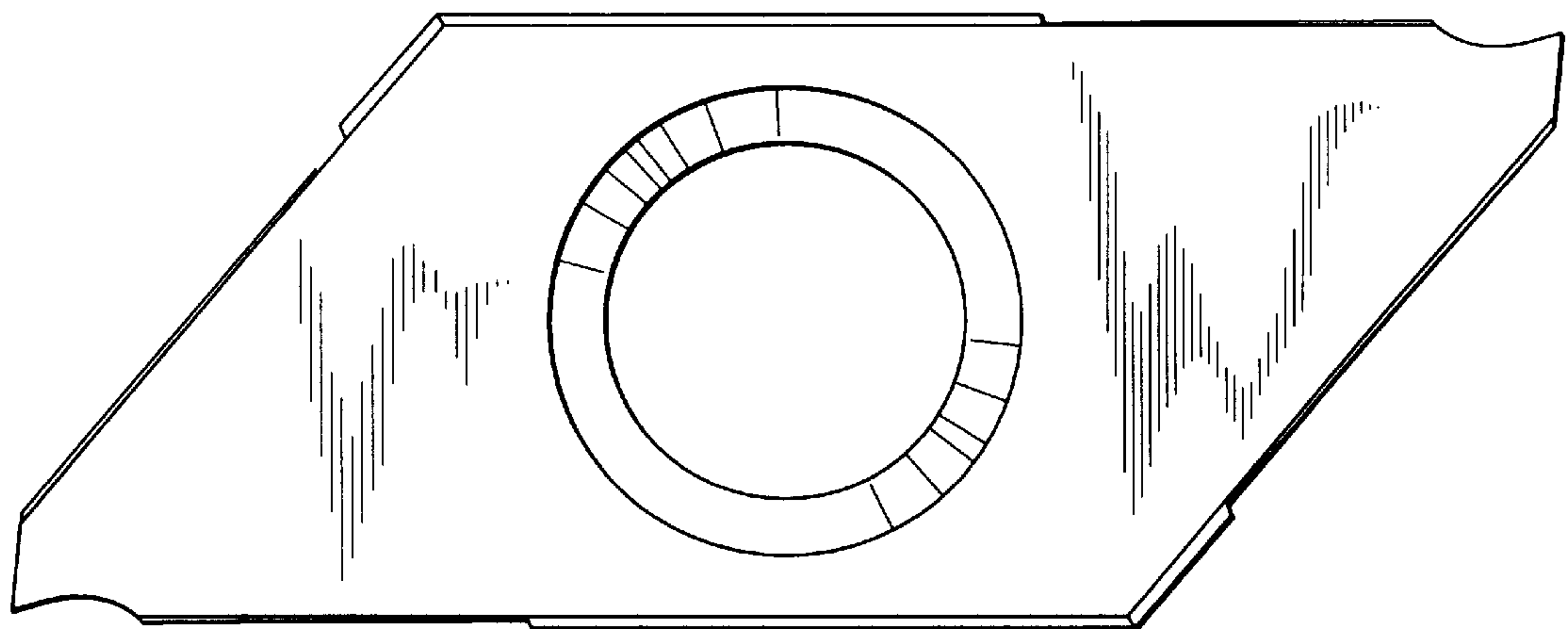
*FIG. 6*



**FIG. 7**

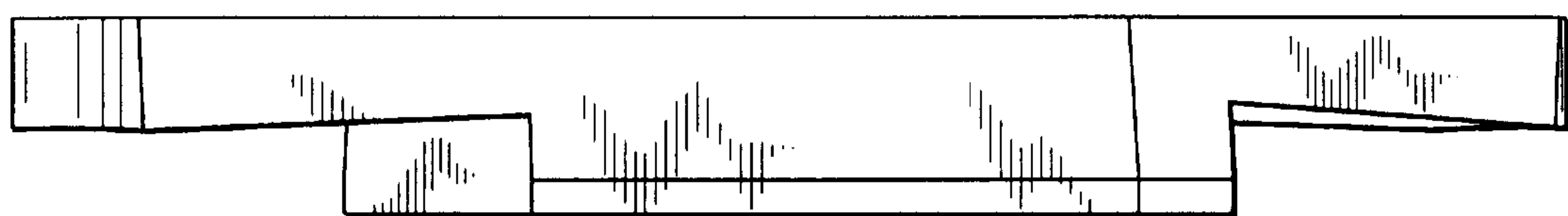


**FIG. 8**



12

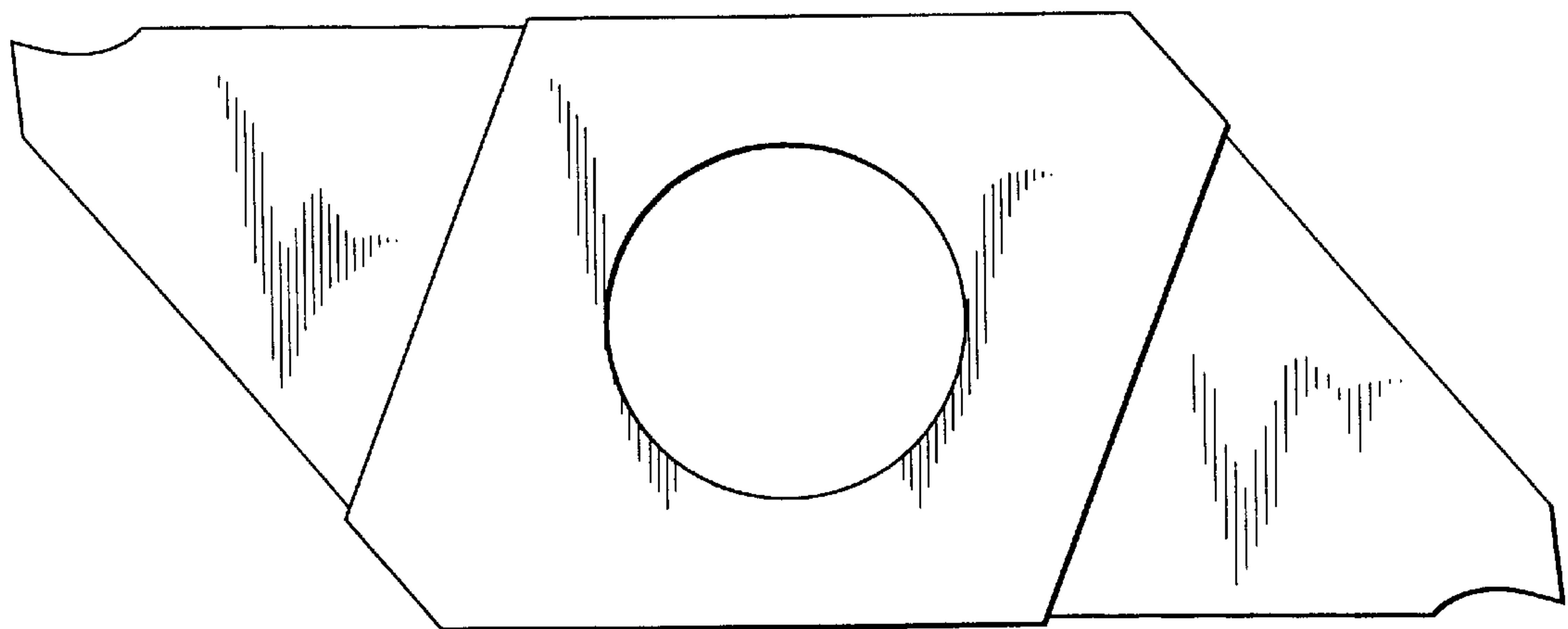
**FIG. 9**



**FIG. 10**



**FIG. 11**

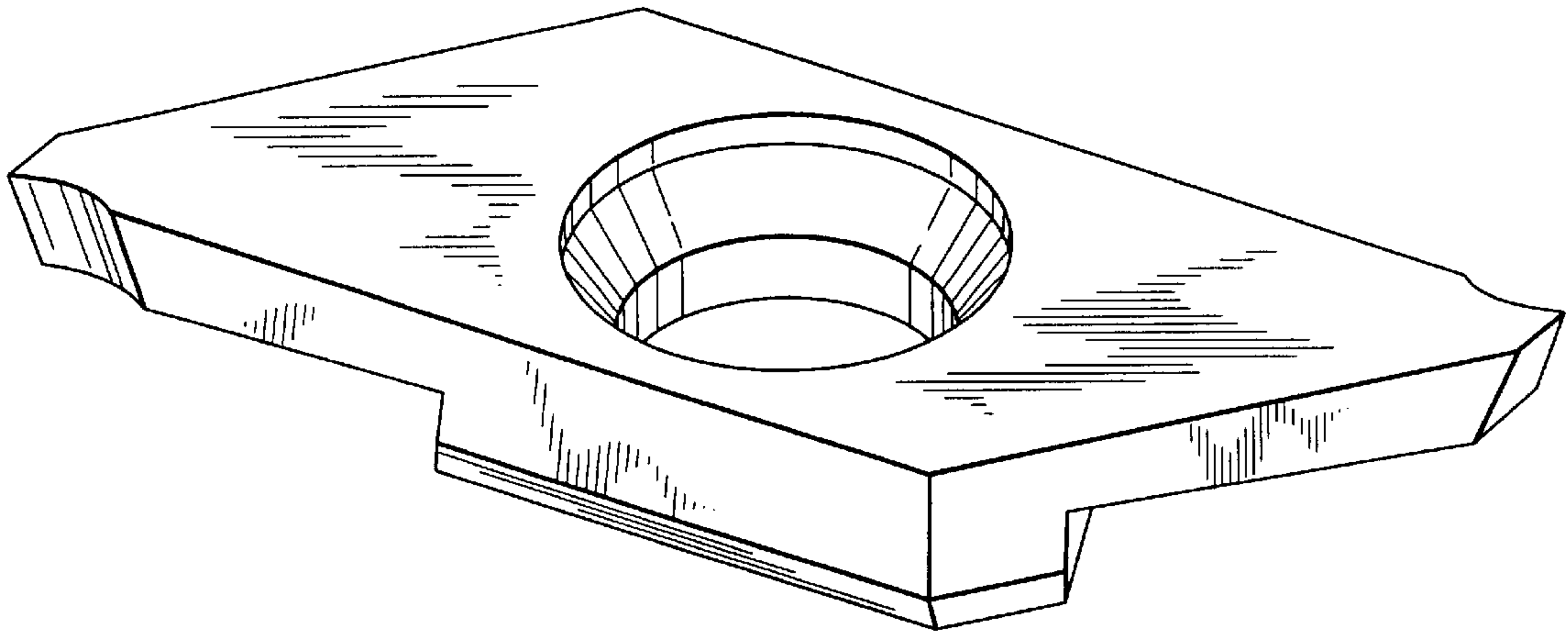


**FIG. 12**

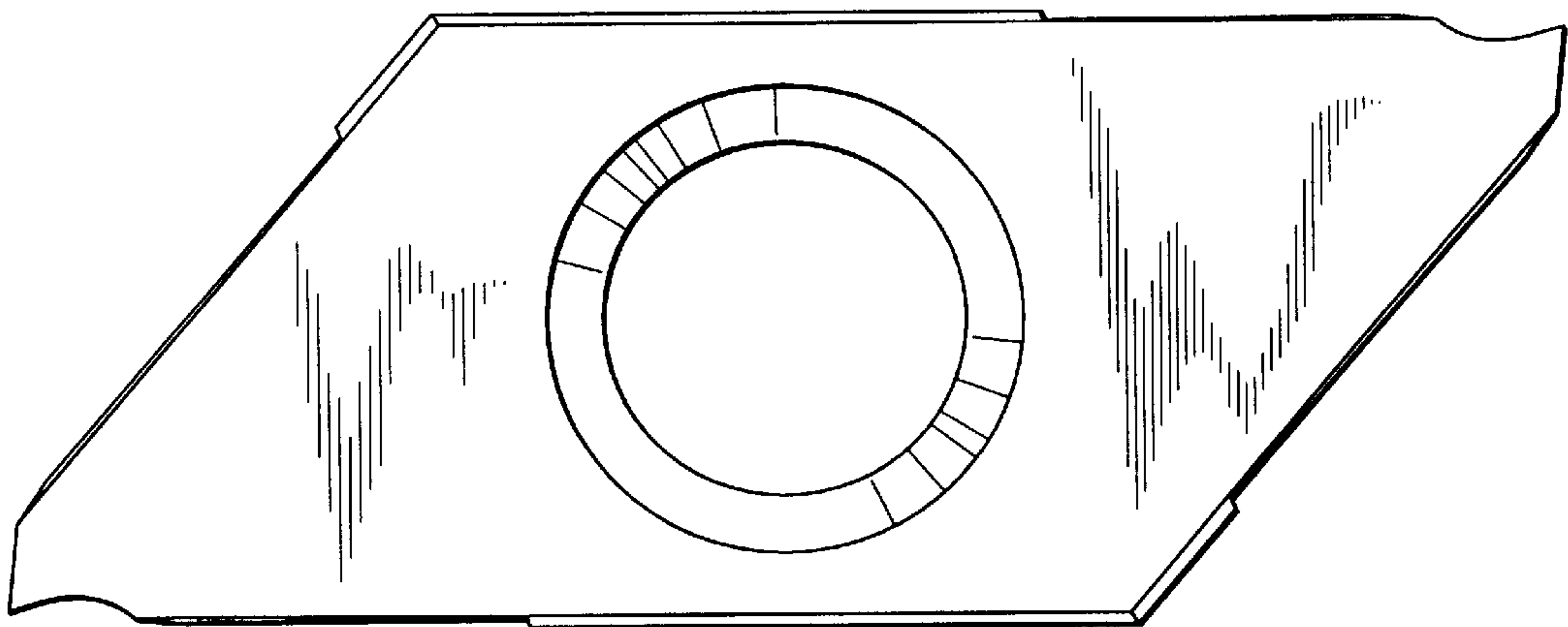




**FIG. 13**

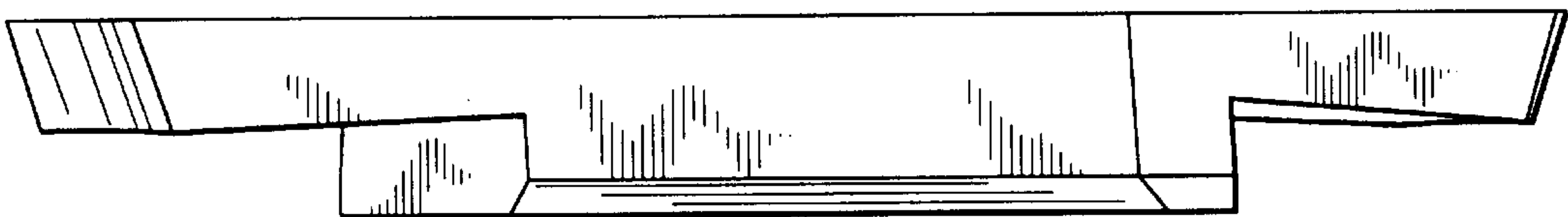


**FIG. 14**



18

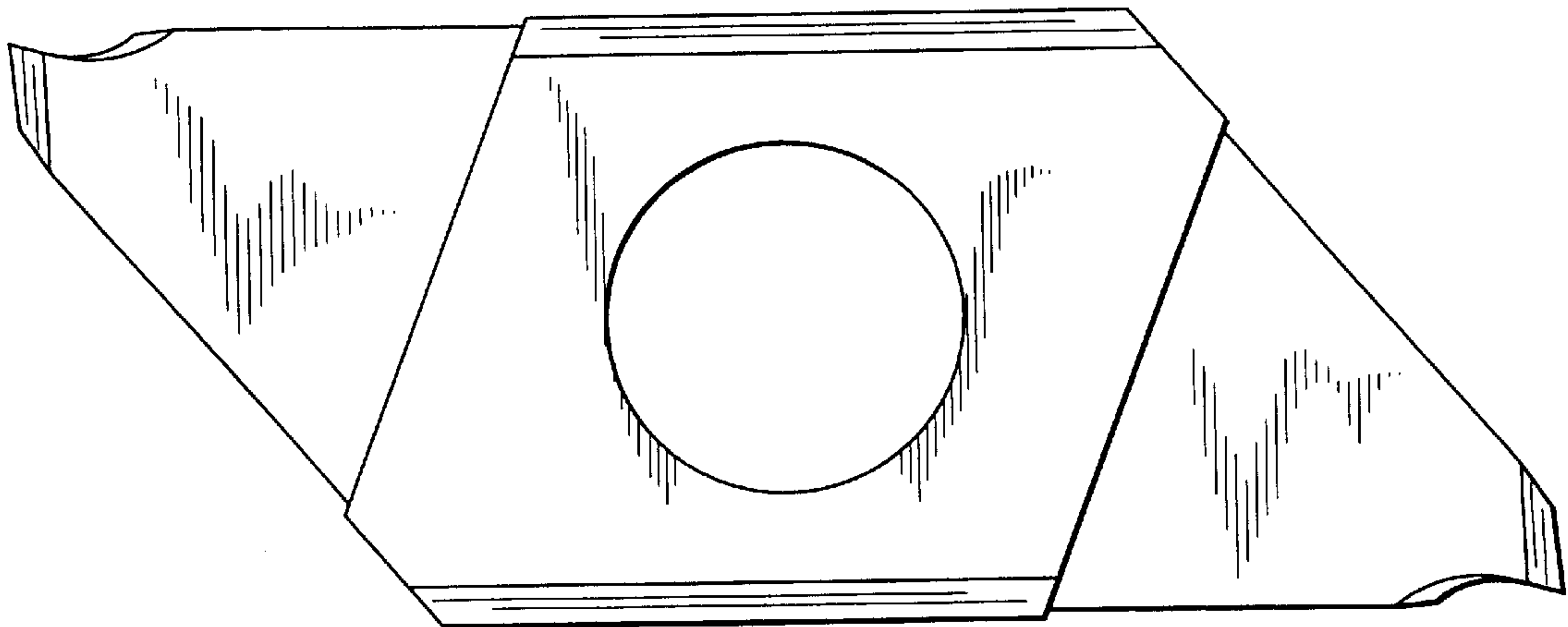
**FIG. 15**



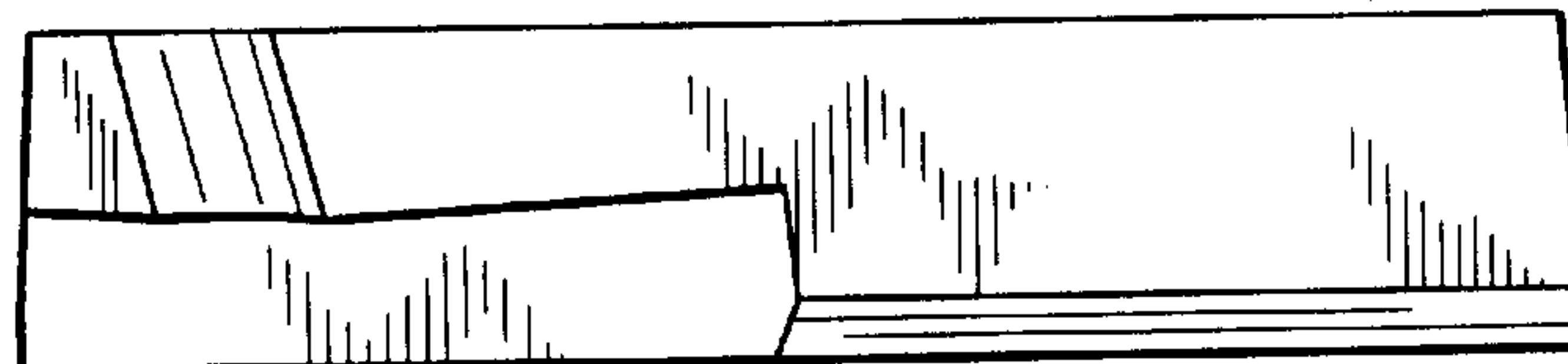
**FIG. 16**



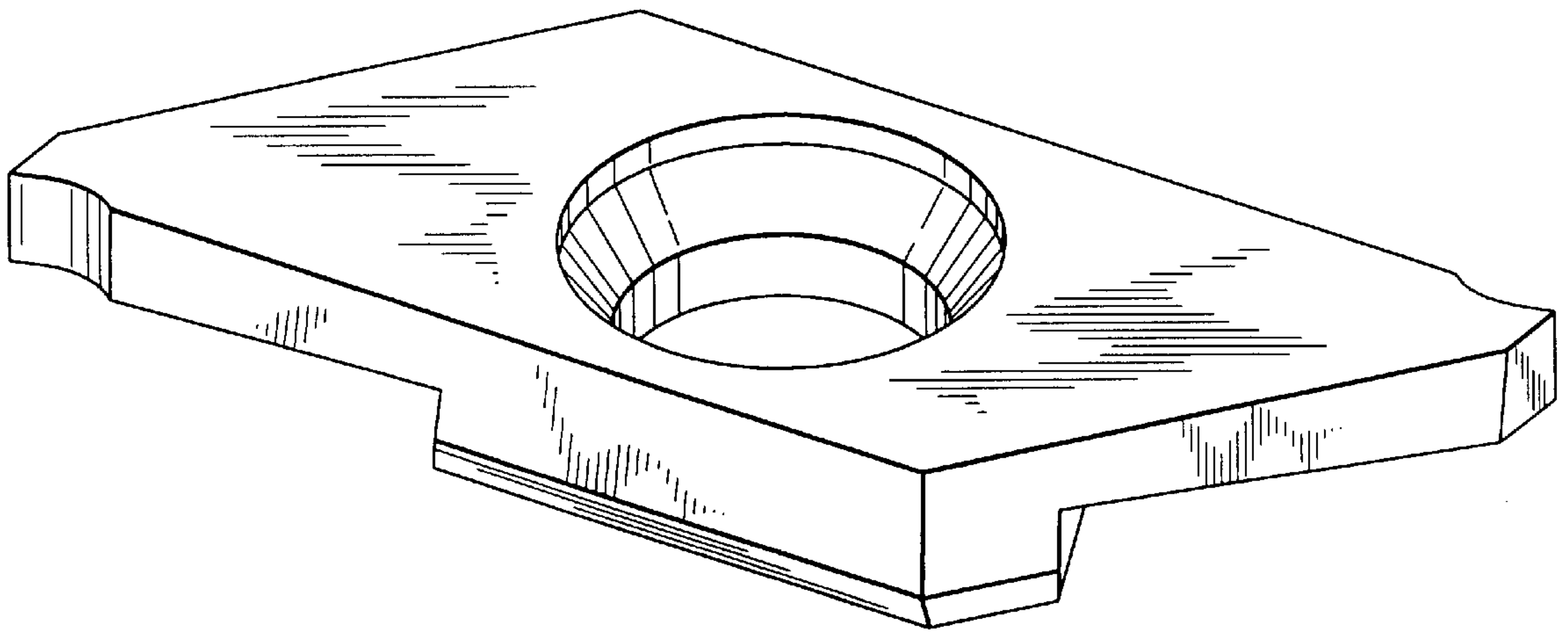
**FIG. 17**



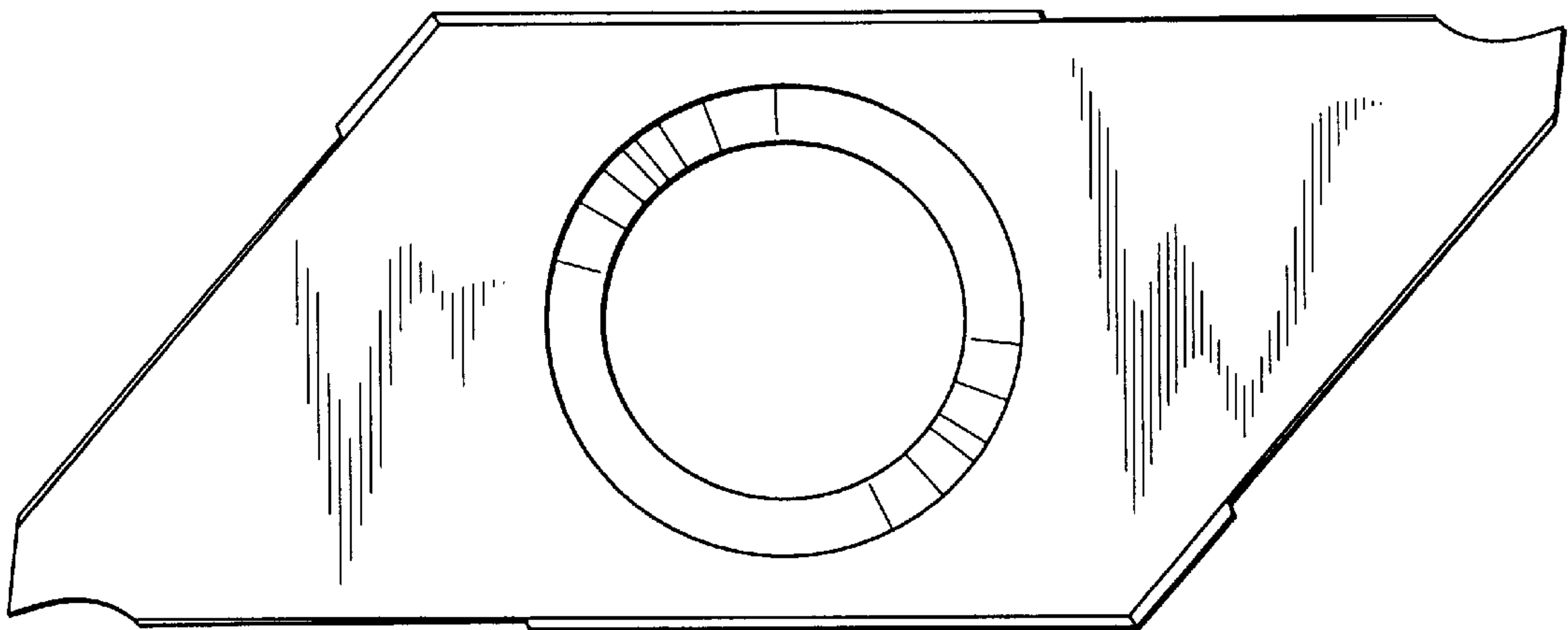
**FIG. 18**



**FIG. 19**

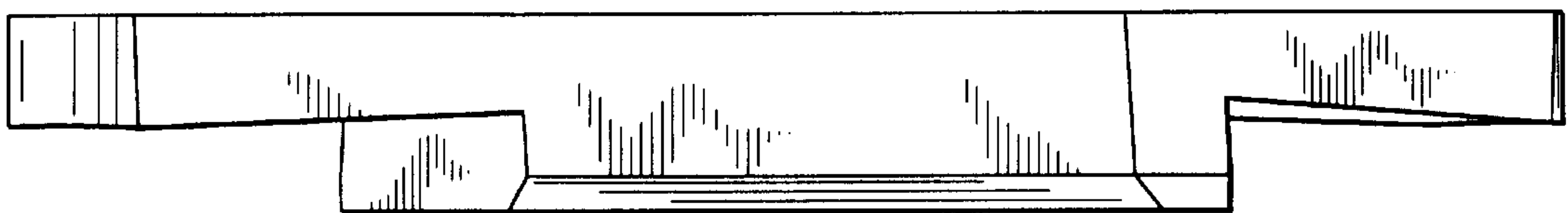


**FIG. 20**



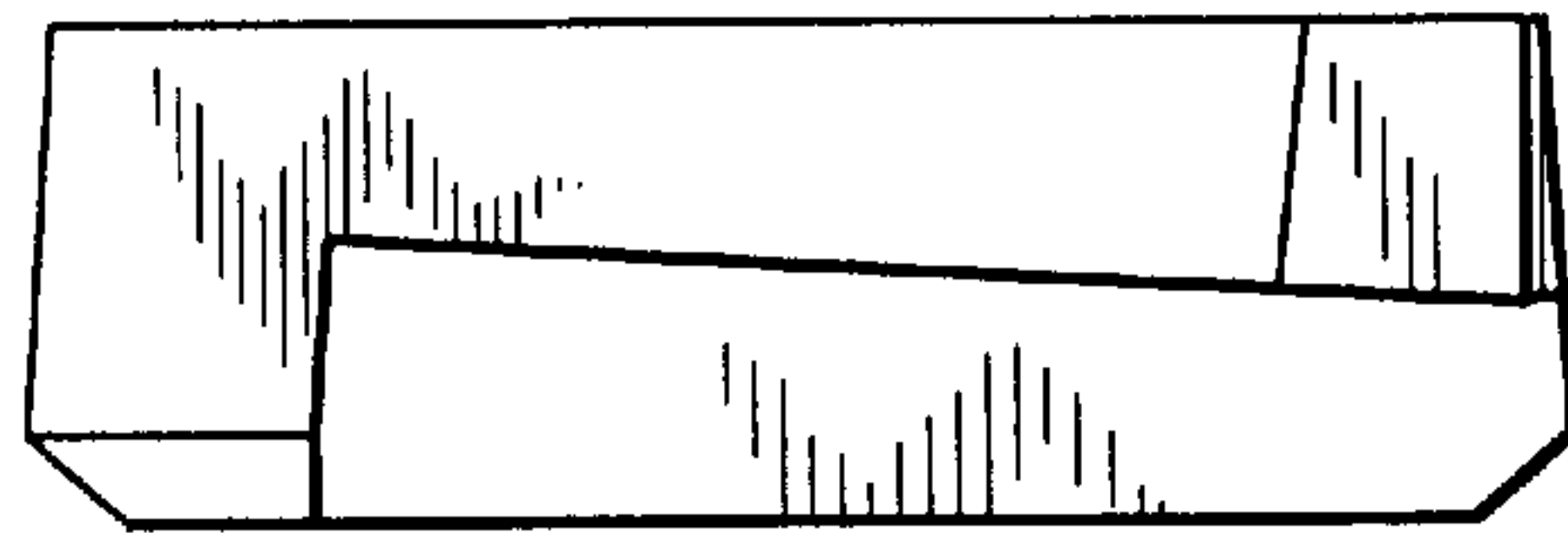
24

**FIG. 21**

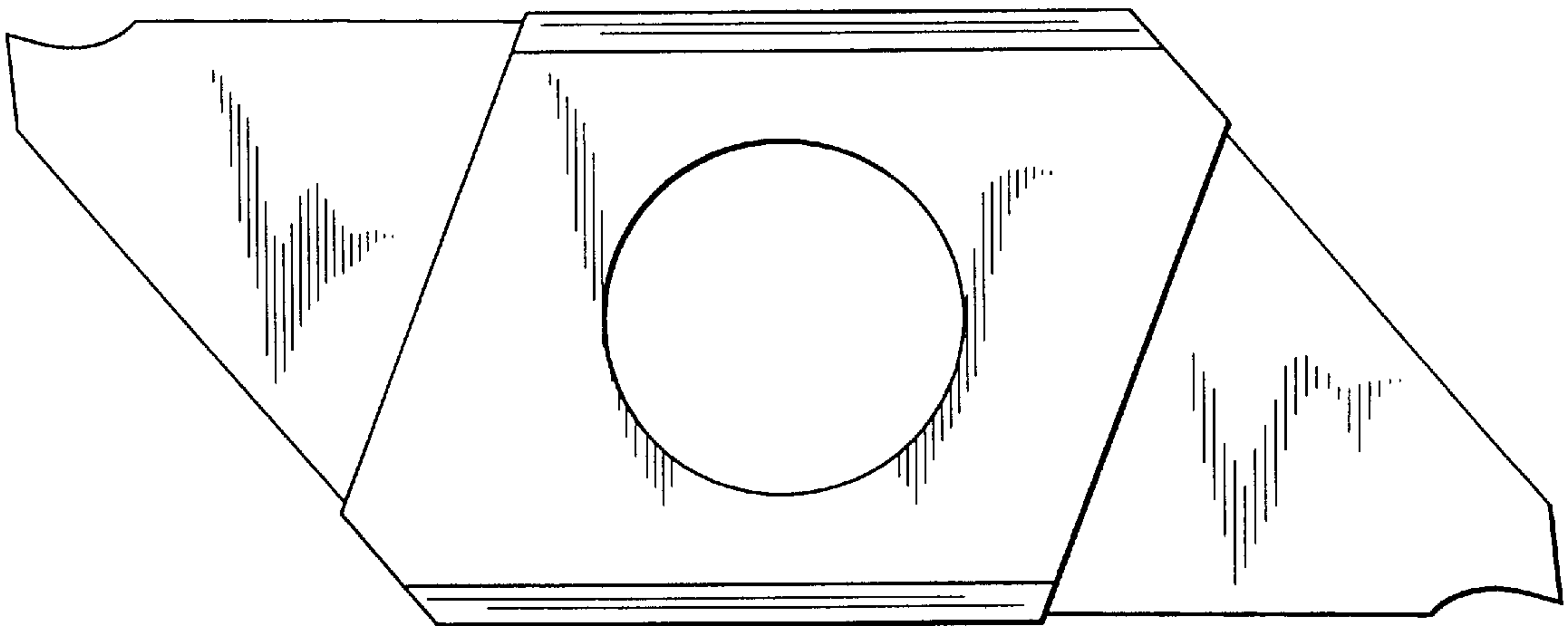




*FIG. 22*



*FIG. 23*



*FIG. 24*

