



US00D401250S

# United States Patent [19]

[11] Patent Number: Des. 401,250

Tudhope et al.

[45] Date of Patent: \*\*Nov. 17, 1998

## [54] SHIELD AND COVER FOR TARGET OF SPUTTER COATING APPARATUS

[75] Inventors: Andrew William Tudhope, Danville; David Bruce Jordan, San Jose; José Luis Gonzalez, Redwood City, all of Calif.

[73] Assignee: Semiconductor Equipment Technology, San Jose, Calif.

[\*\*] Term: 14 Years

[21] Appl. No.: 82,599

[22] Filed: Jan. 27, 1998

[51] LOC (6) Cl. .... 15-09

[52] U.S. Cl. .... D15/138

[58] Field of Search ..... D15/138; 204/298.02-298.11

### [56] References Cited

#### U.S. PATENT DOCUMENTS

5,690,795 11/1997 Rosenstein et al. .... 204/298.11 X

Primary Examiner—Antoine Duval Davis

Attorney, Agent, or Firm—Gray Cary Ware & Freidenrich

### [57] CLAIM

The ornamental design for a shield and cover for target of sputter coating apparatus, as shown and described.

### DESCRIPTION

FIG. 1 is a perspective view of a shield and cover for target

of sputter coating apparatus embodying the design of the invention;

FIG. 2 is a top plan view of the shield and cover for target of sputter coating apparatus of FIG. 1;

FIG. 3 is a bottom plan view of the shield and cover for target of sputter coating apparatus of FIG. 1;

FIG. 4 is a side elevation view of the shield and cover for target of sputter coating apparatus as seen from the bottom of FIG. 2;

FIG. 5 is a side elevation view of the shield and cover for target of sputter coating apparatus as seen from the top of FIG. 2;

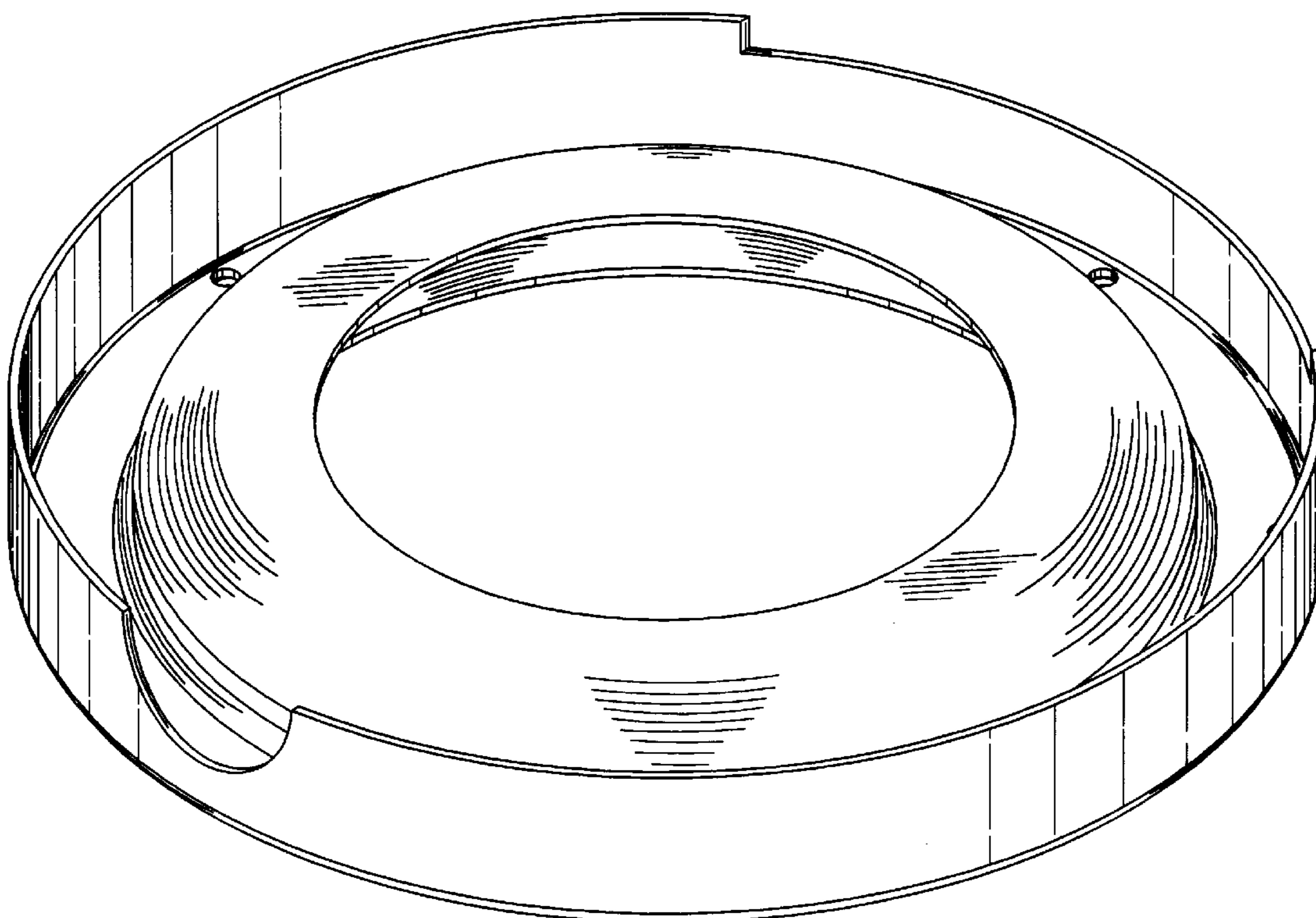
FIG. 6 is a side elevation view of the shield and cover for target of sputter coating apparatus as seen from the left side of FIG. 2;

FIG. 7 is a side elevation view of the shield and cover for target of sputter coating apparatus as seen from the right side of FIG. 2;

FIG. 8 is a cross-sectional view of the shield and cover for target of sputter coating apparatus taken along the line 8—8 of FIG. 2; and,

FIG. 9 is a cross-sectional view of the shield and cover for target of sputter coating apparatus taken along the line 9—9 of FIG. 2.

1 Claim, 4 Drawing Sheets



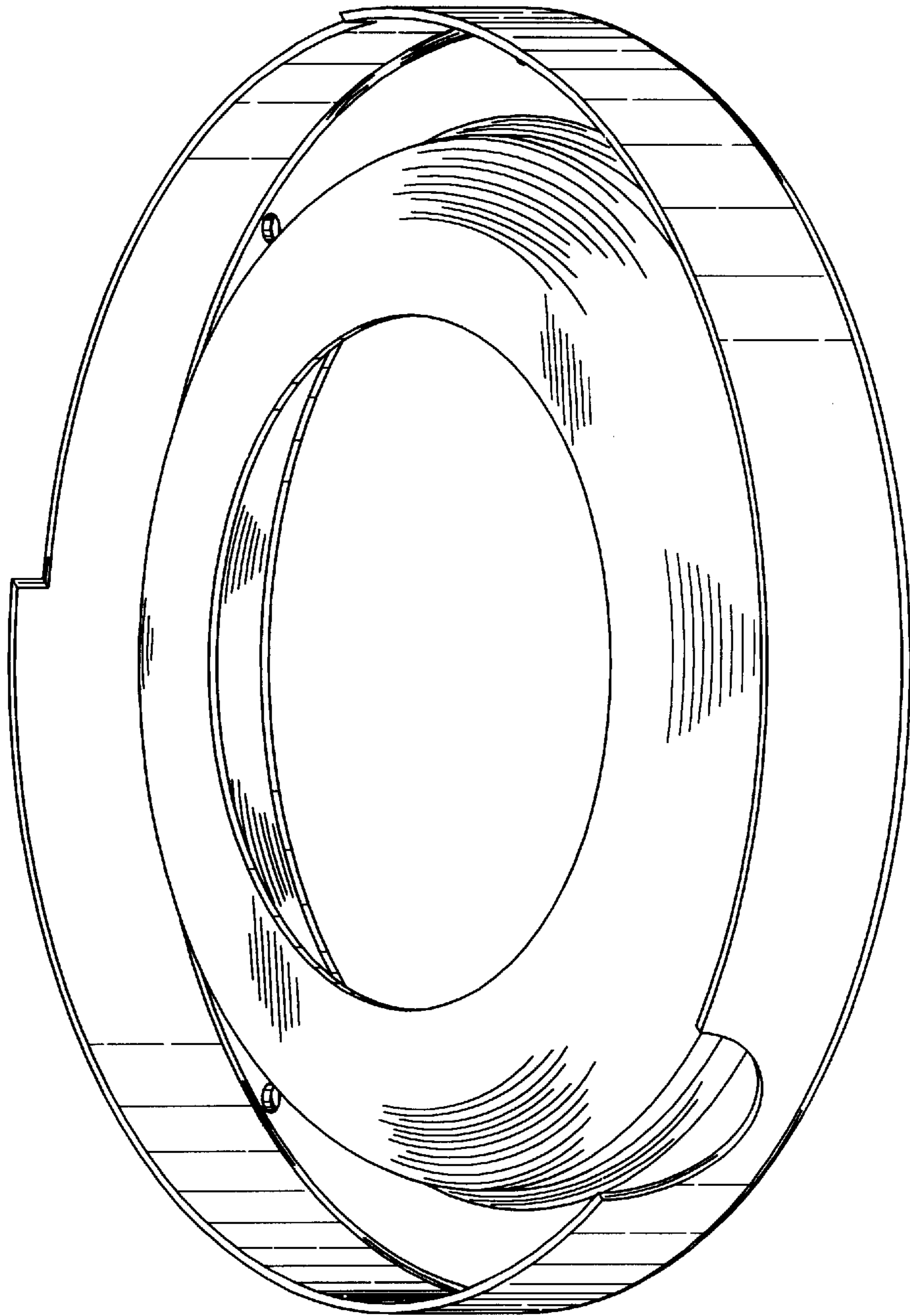


FIG. 1

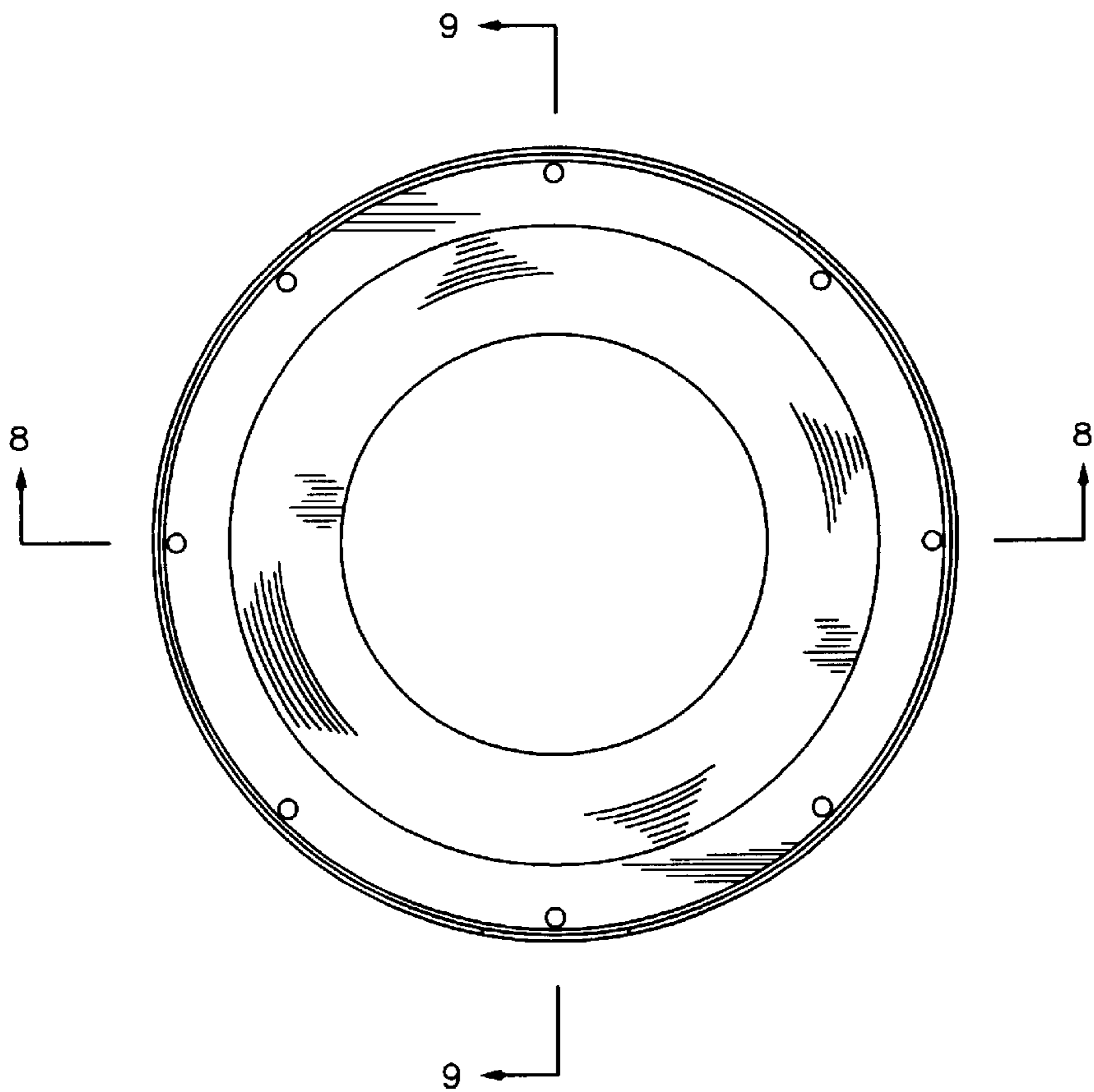


FIG. 2

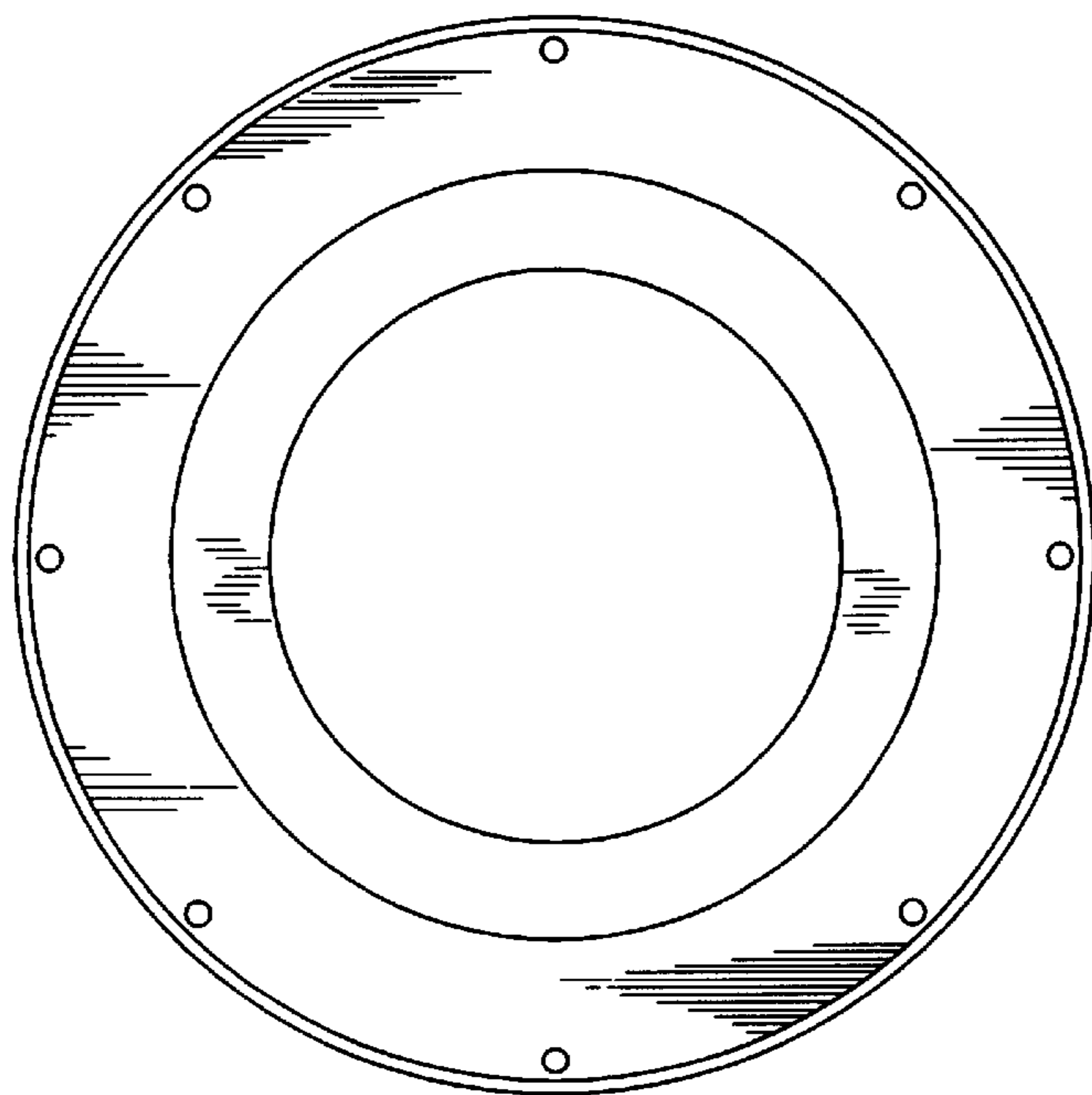


FIG. 3



FIG. 4

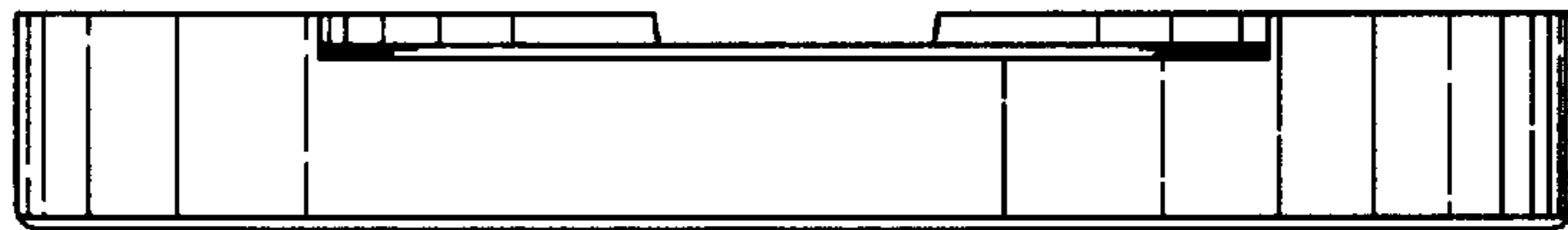


FIG. 5



FIG. 6

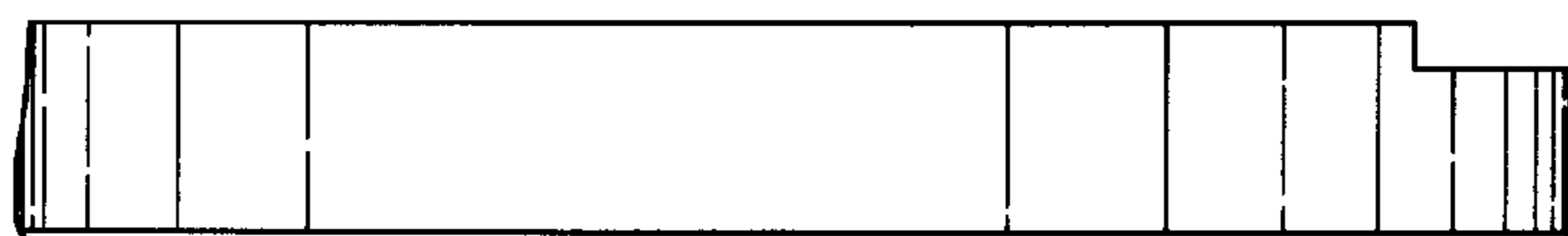


FIG. 7

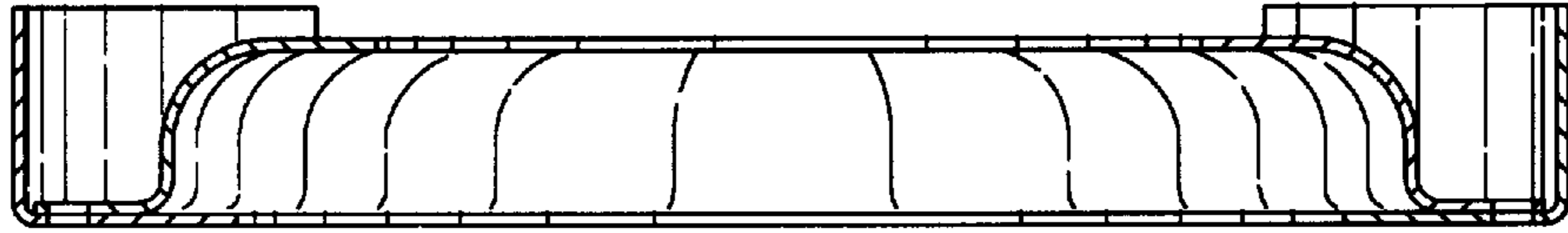


FIG. 8

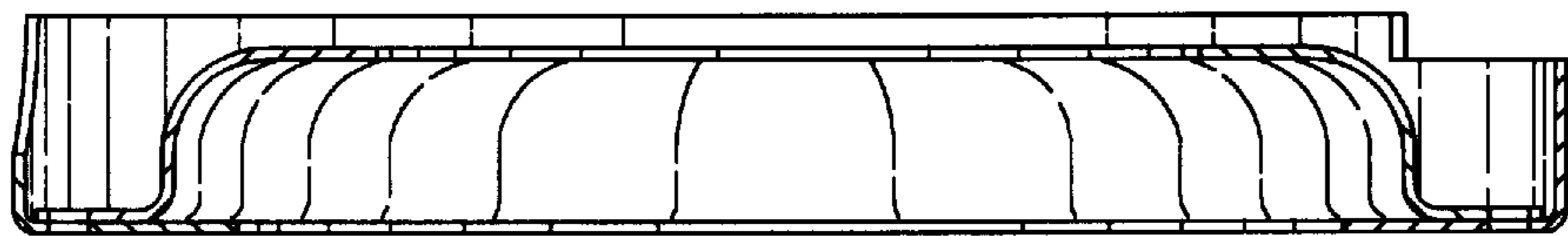


FIG. 9