



US00D401248S

United States Patent [19]
Schrepfer

[11] **Patent Number: Des. 401,248**

[45] **Date of Patent: **Nov. 17, 1998**

[54] **ROLLER MILL**

[75] Inventor: **Georg Schrepfer**, Niederuzwil,
Switzerland

[73] Assignee: **Buhler AG**, Uzwil, Switzerland

[**] Term: **14 Years**

[21] Appl. No.: **72,209**

[22] Filed: **Jun. 4, 1997**

[30] **Foreign Application Priority Data**

Dec. 20, 1959 [CH] Switzerland 123791

[51] **LOC (6) Cl.** **15-09**

[52] **U.S. Cl.** **D15/131**

[58] **Field of Search** D15/131; 209/139.1;
241/6-13, 29, 37, 65, 79.1, 80, 119, 121,
117, 109, 130, 159, 224, 227, 230, 232,
234, 235, 260, 261.2, 293, 296, DIG. 30

[56] **References Cited**

U.S. PATENT DOCUMENTS

4,140,285 2/1979 Linzberger et al. .
4,339,083 7/1982 Linzberger et al. .
5,201,470 4/1993 Baltensperger et al. .

Primary Examiner—Antoine Duval Davis
Attorney, Agent, or Firm—Finnegan, Henderson, Farabow,
Garrett & Dunner

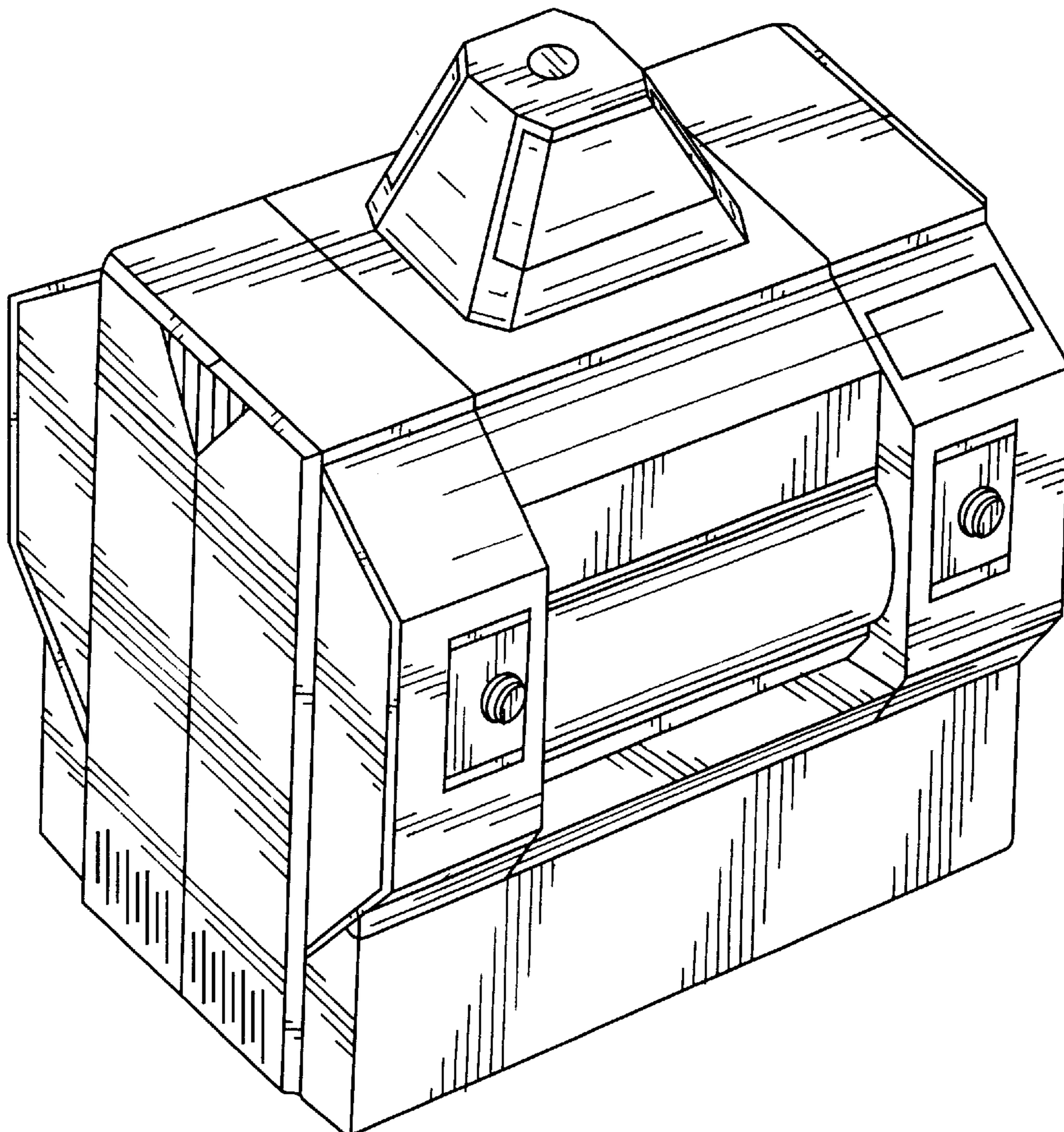
[57] **CLAIM**

The ornamental design for a roller mill, as shown and described.

DESCRIPTION

FIG. 1 is a top perspective view of a roller mill;
FIG. 2 is a front view thereof;
FIG. 3 is a side view thereof; and,
FIG. 4 is a top view thereof.

1 Claim, 3 Drawing Sheets



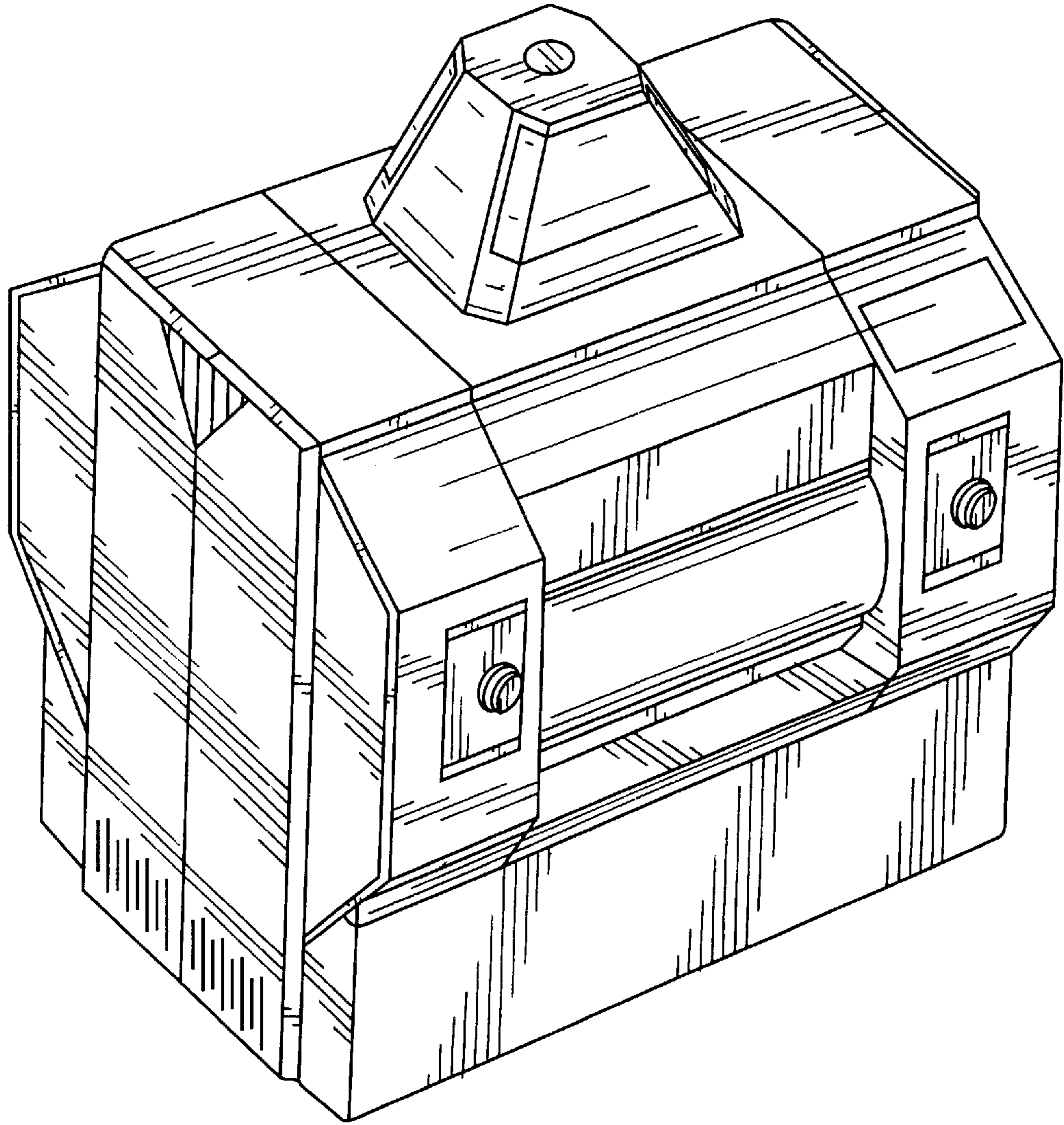


FIG. 1

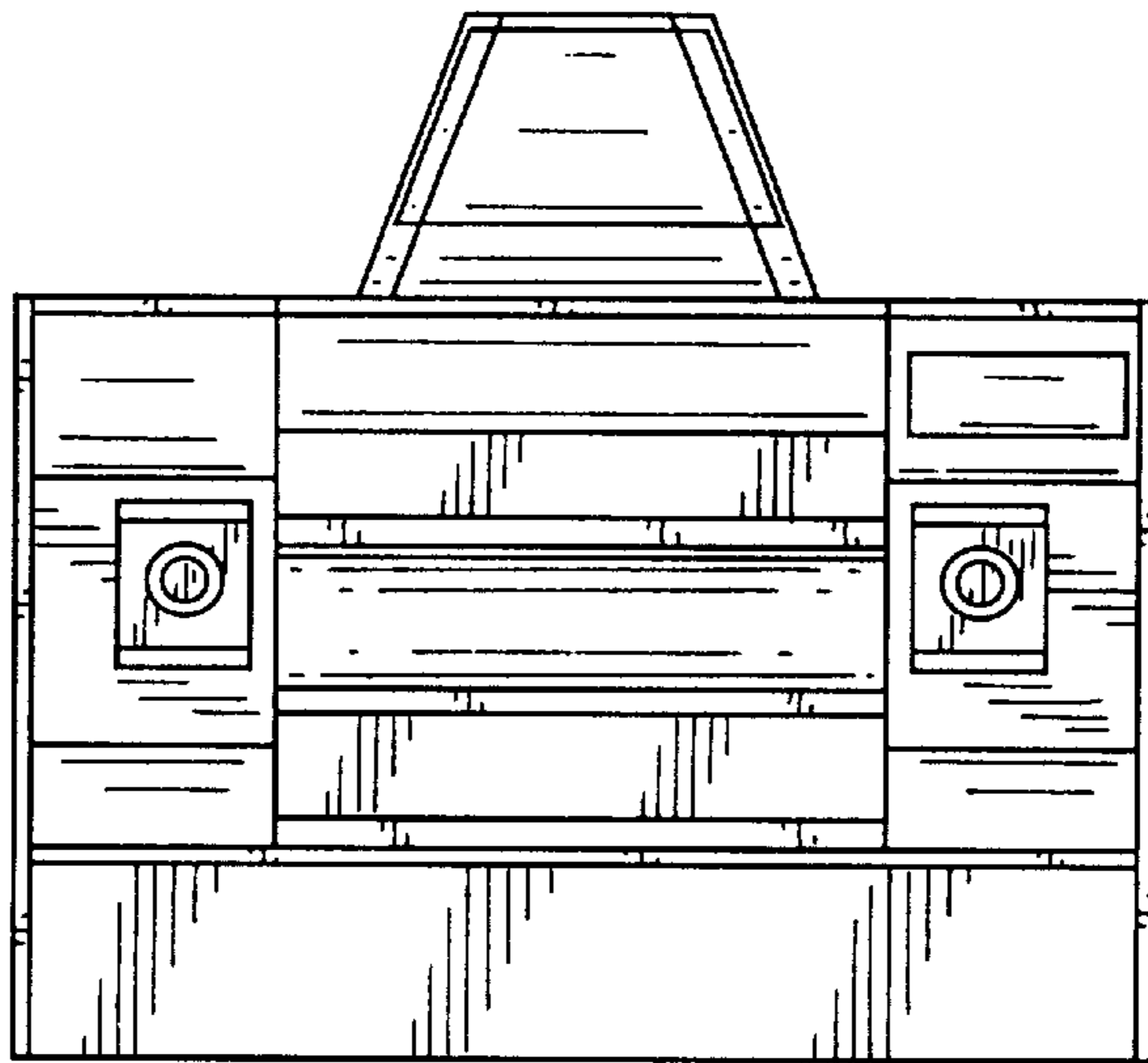


FIG. 2

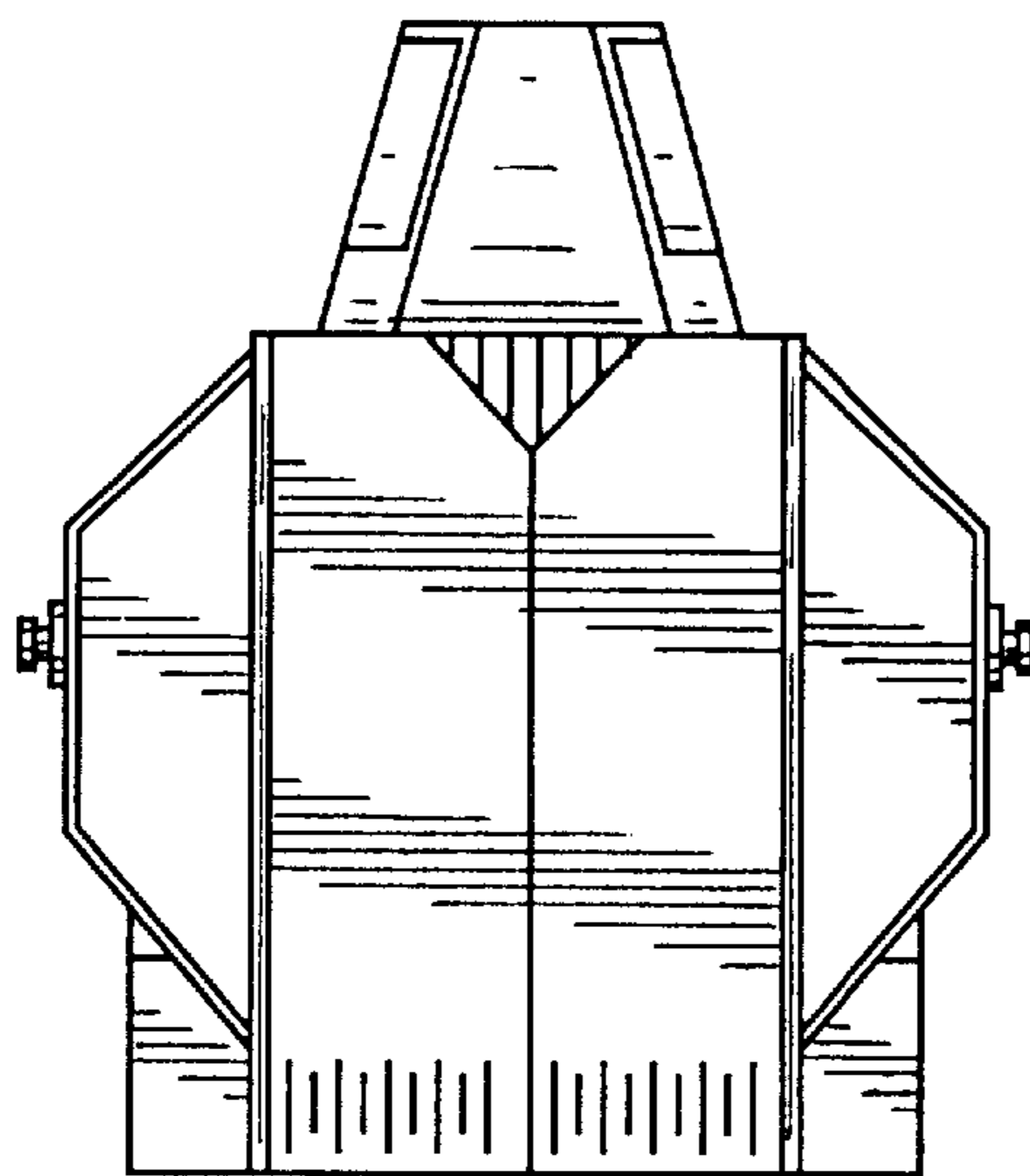


FIG. 3

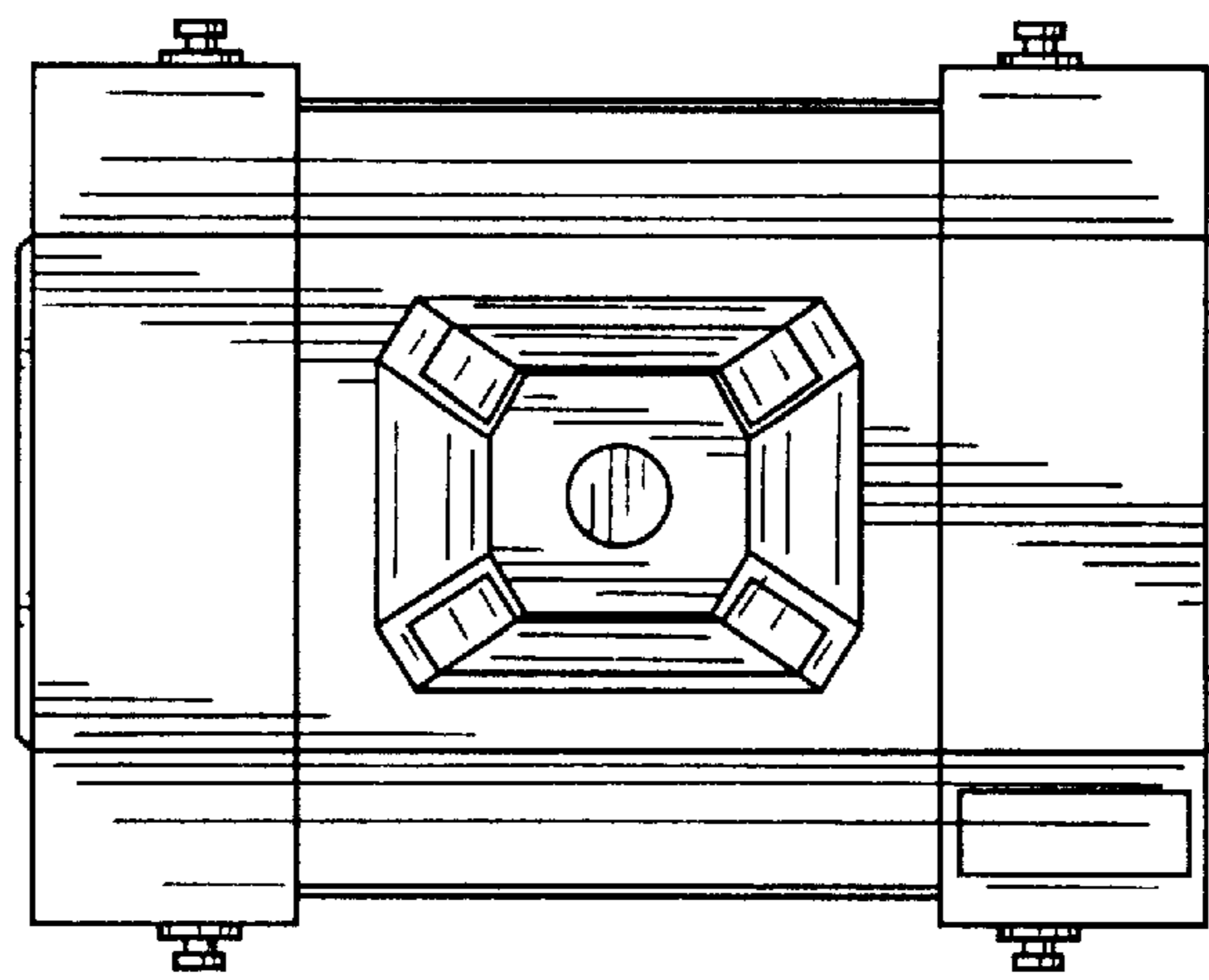


FIG. 4