



US00D401247S

United States Patent [19] Wang

[11] **Patent Number: Des. 401,247**
[45] **Date of Patent: **Nov. 17, 1998**

[54] **WOOD-TURNING LATHE**

[75] Inventor: **Chin Feng Wang**, Taichung Hsien, Taiwan

[73] Assignee: **Colovos Co., Ltd.**, Taichung Hsien, Taiwan

[**] Term: **14 Years**

[21] Appl. No.: **72,971**

[22] Filed: **Jun. 23, 1997**

[51] **LOC (6) Cl.** **15-09**

[52] **U.S. Cl.** **D15/130**

[58] **Field of Search** D15/130; 82/112-121, 82/128, 132, 142, 143, 149, 162, 903; 144/16, 114; 142/7

[56] **References Cited**

U.S. PATENT DOCUMENTS

D. 147,300 8/1947 Potter D15/130

D. 152,228 12/1948 Stevens D15/130
D. 185,922 8/1959 Brendan D15/130
D. 309,741 8/1990 Arehart et al. D15/130
D. 338,475 8/1993 Wilson et al. D15/130
D. 367,066 2/1996 Chen D15/130

Primary Examiner—Antoine Duval Davis
Attorney, Agent, or Firm—Charles E. Baxley, Esq.

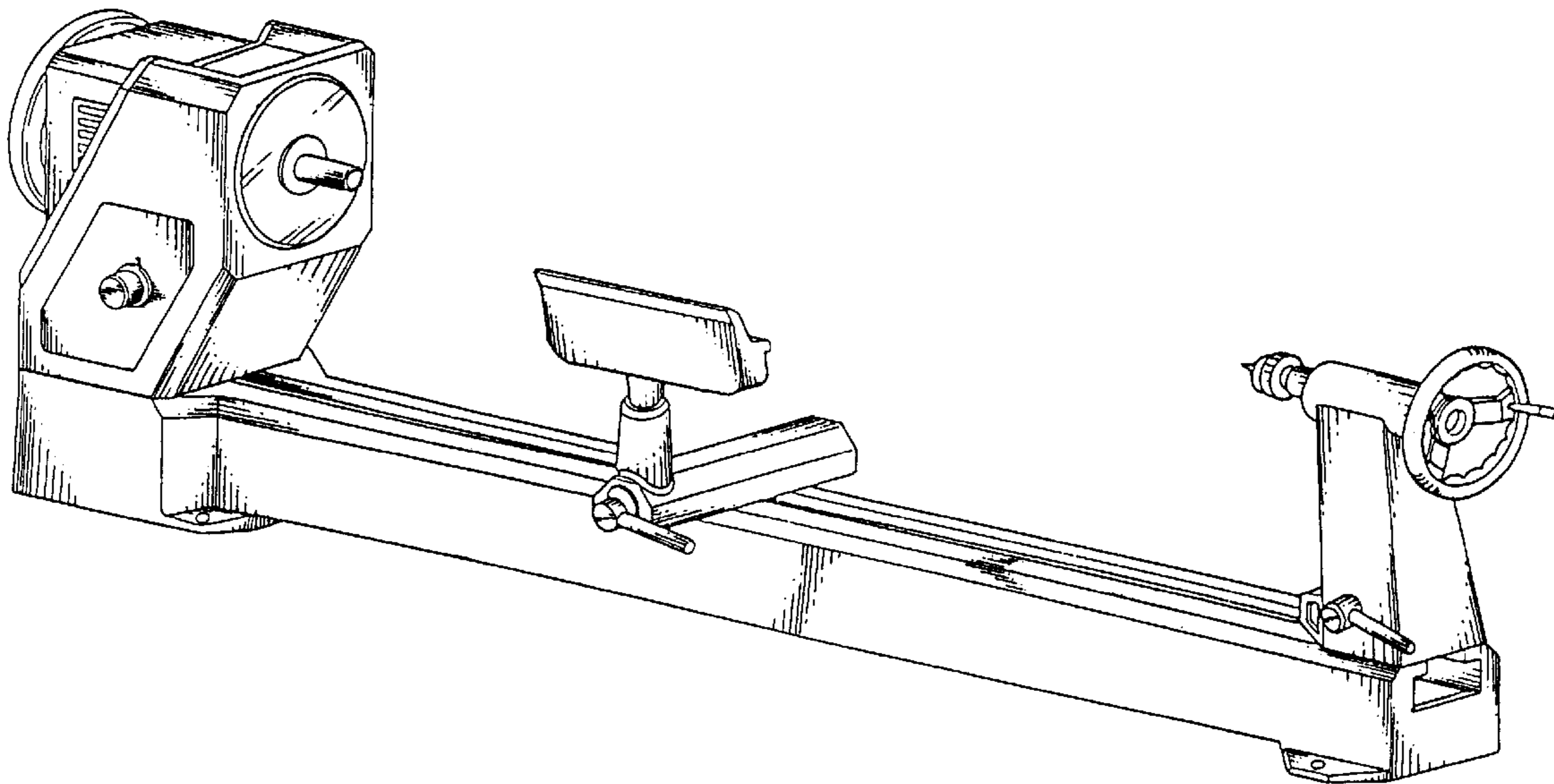
[57] **CLAIM**

The ornamental design for a wood-turning lathe, as shown and described.

DESCRIPTION

FIG. 1 is a front-right-top perspective view of a wood-turning lathe, showing my new design; FIG. 2 is a front elevational view thereof; FIG. 3 is a rear elevational view thereof; FIG. 4 is a left elevational view thereof; FIG. 5 is a right elevational view thereof; FIG. 6 is a top plan view thereof; and, FIG. 7 is a bottom plan view thereof.

1 Claim, 4 Drawing Sheets



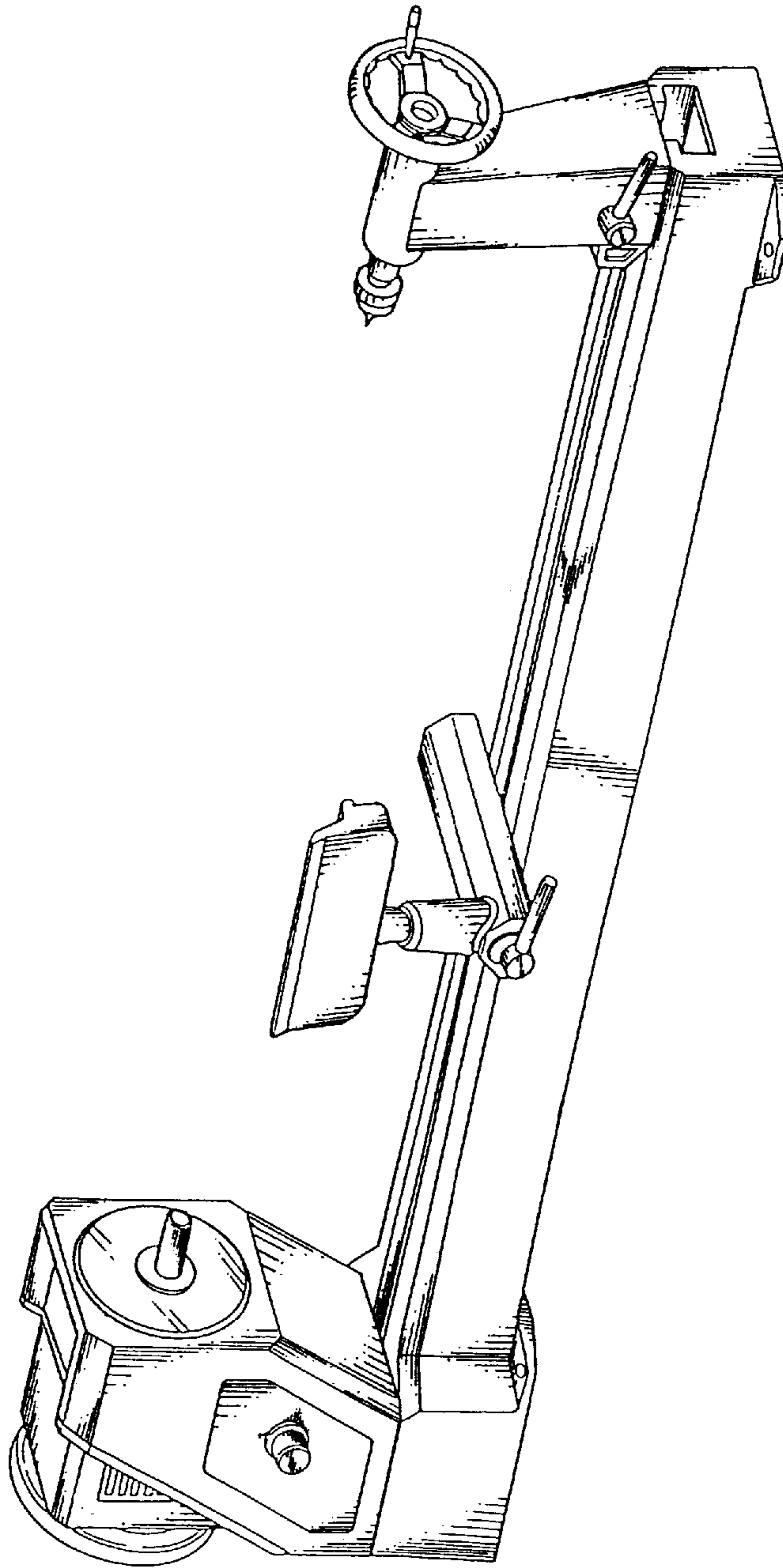


FIG. 1

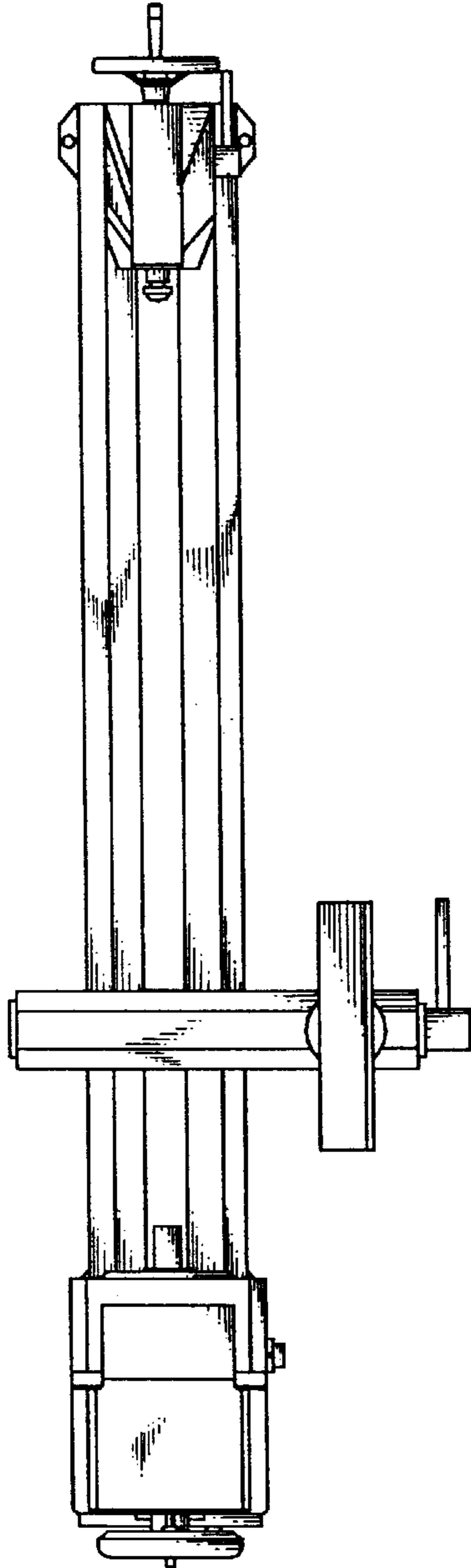


FIG. 6

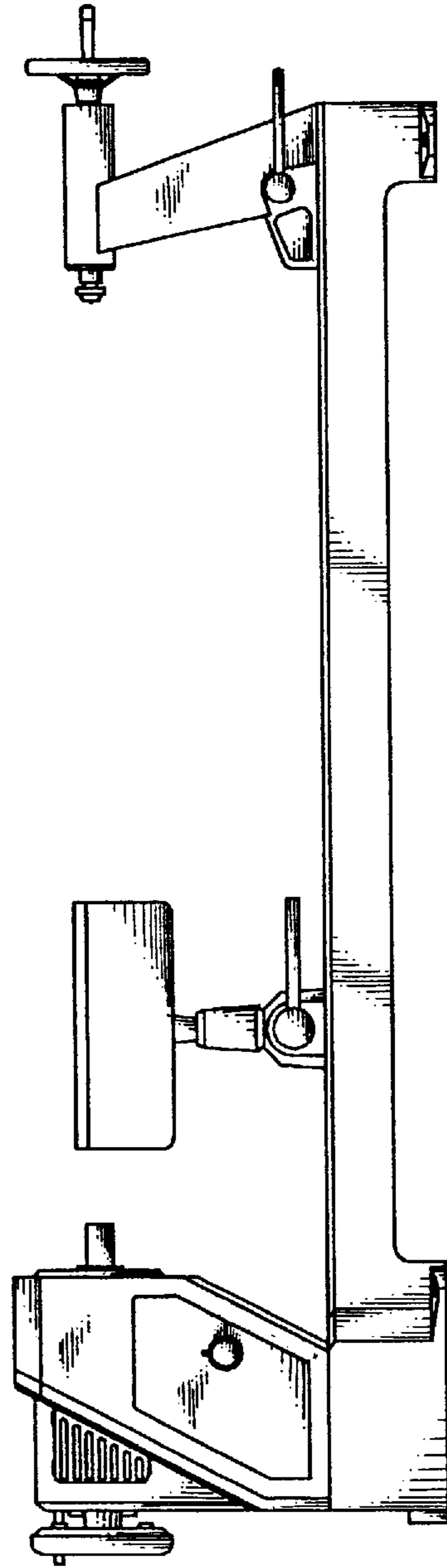
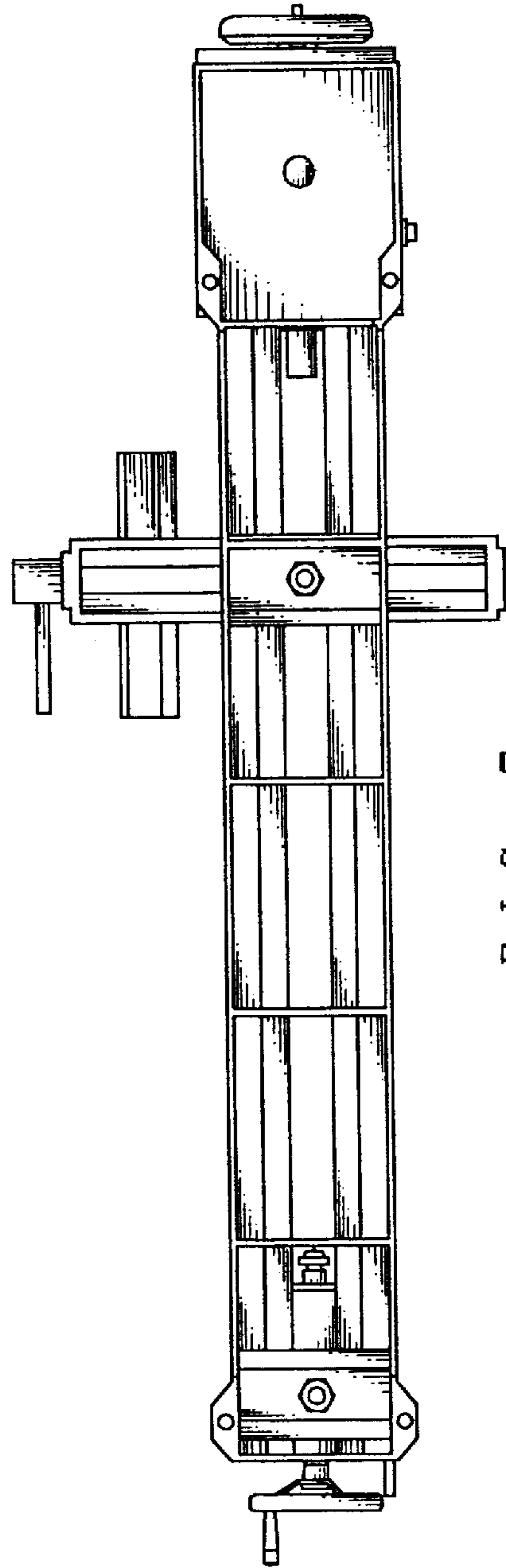
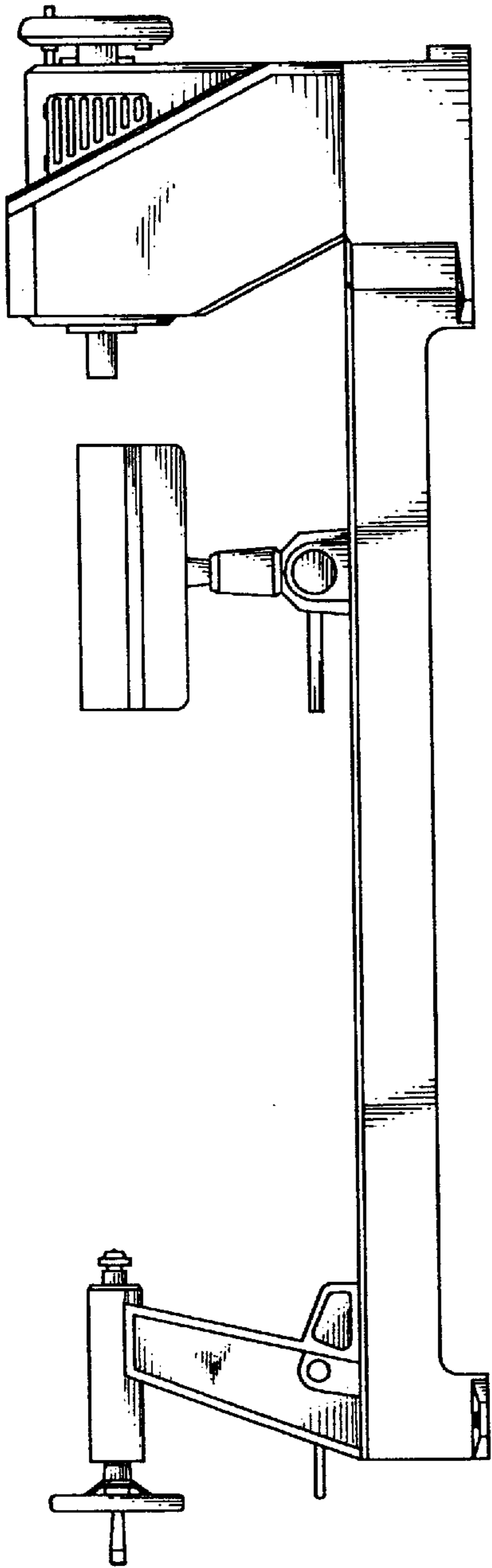


FIG. 2



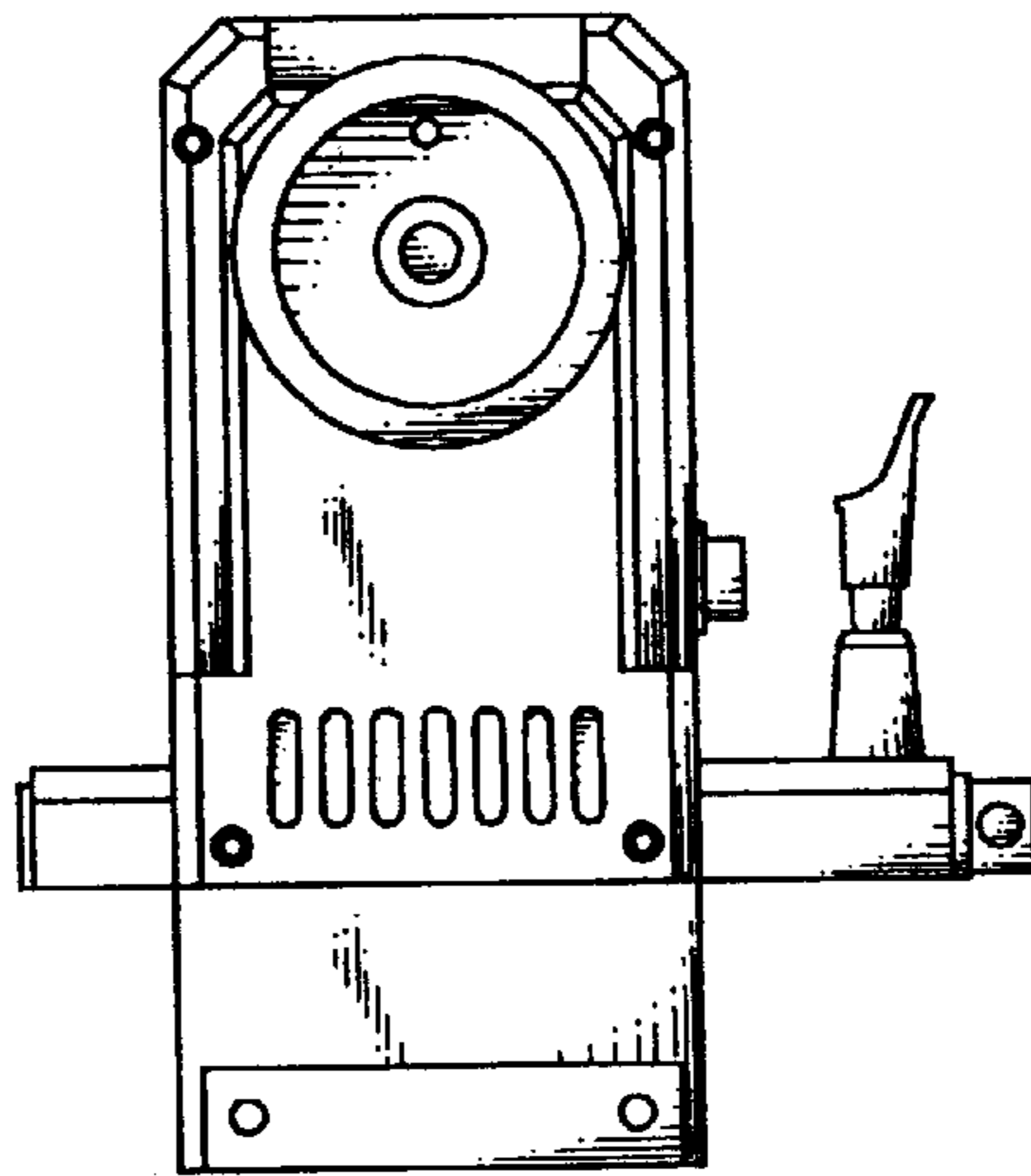


FIG. 4

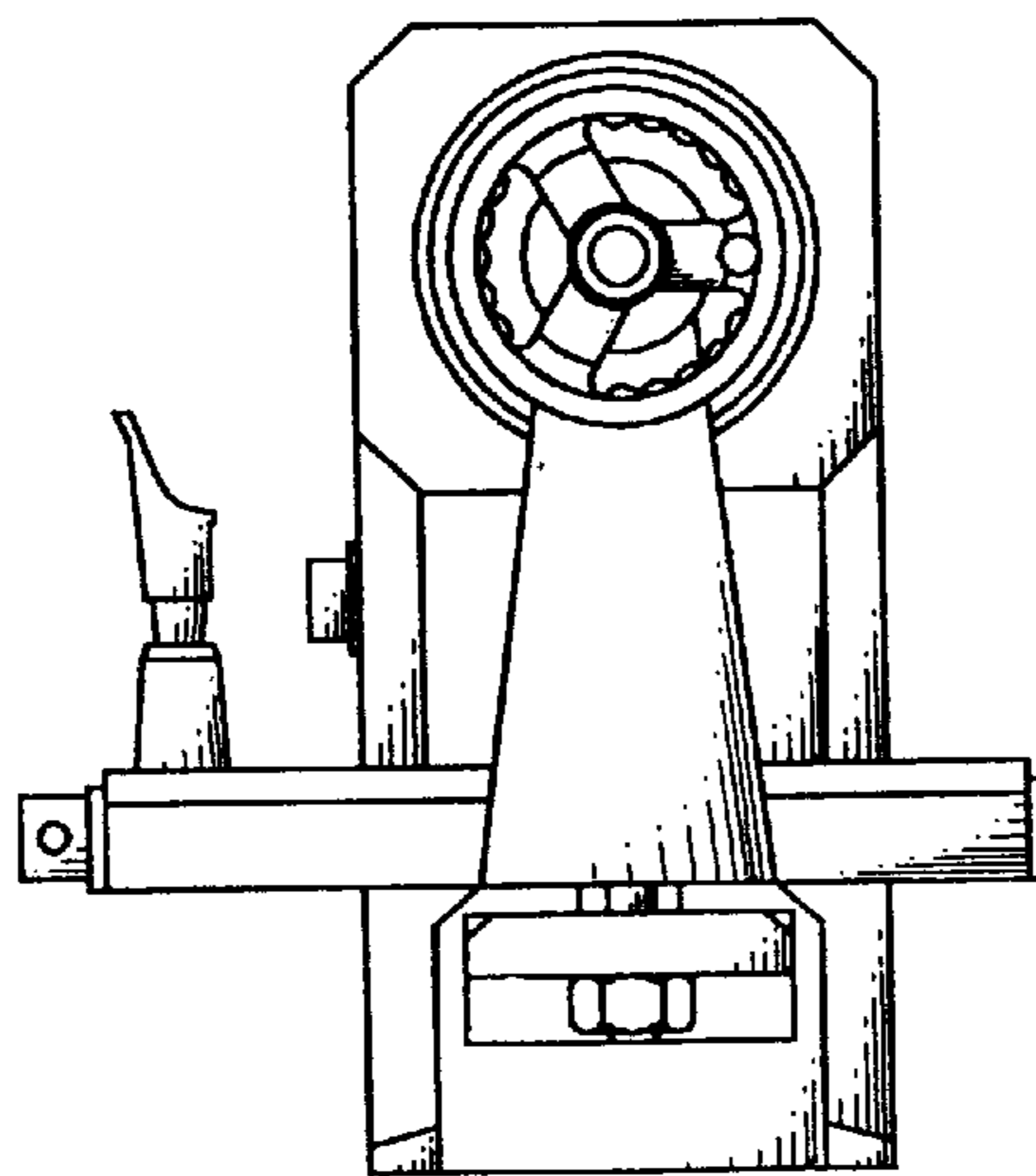


FIG. 5