



US00D401241S

United States Patent [19] Runquist et al.

[11] Patent Number: Des. 401,241

[45] Date of Patent: **Nov. 17, 1998

[54] **SPEAKER ENCLOSURE**

[75] Inventors: **Lars Runquist**, Grove Heights; **David Copeland**, Minneapolis, both of Minn.

[73] Assignee: **Telex Communications, Inc.**, Minneapolis, Minn.

[**] Term: **14 Years**

[21] Appl. No.: **57,081**

[22] Filed: **Jul. 16, 1996**

[51] **LOC (6) Cl.** **14-01**

[52] **U.S. Cl.** **D14/215; D14/214**

[58] **Field of Search** D14/204, 207, D14/209-216; 181/144-145, 148, 150, 153, 157, 198-199; 381/24, 88, 90, 91, 153, 159, 186, 188, 203, 205

[56] **References Cited**

U.S. PATENT DOCUMENTS

D. 239,035	3/1976	Ross	D14/214
D. 239,036	3/1976	Ross	D14/214
D. 268,673	4/1983	Iijima	D14/214
D. 327,067	6/1992	Kohan	D14/215
D. 329,235	9/1992	Sarmiento	D14/215

OTHER PUBLICATIONS

Stereo Review, p. 30, Altec Lansing's ACS50 speaker system, Dec. 1993.

Primary Examiner—Ted Shooman
Assistant Examiner—Nanda Bondade

Attorney, Agent, or Firm—Gregory P. Kaihoi

[57] **CLAIM**

The ornamental design for a speaker enclosure, as shown.

DESCRIPTION

FIG. 1 is a front, top, left side perspective view of a speaker enclosure of the design;

FIG. 2 is a front view thereof;

FIG. 3 is a right side view thereof;

FIG. 4 is a left side view thereof;

FIG. 5 is a rear view thereof;

FIG. 6 is a top view thereof;

FIG. 7 is a bottom view thereof;

FIG. 8 is a front, top, left side perspective view of an alternate embodiment of FIG. 1;

FIG. 9 is a front view of the speaker of FIG. 8;

FIG. 10 is a left side view of the speaker of FIG. 8;

FIG. 11 is a left side view of the speaker of FIG. 8;

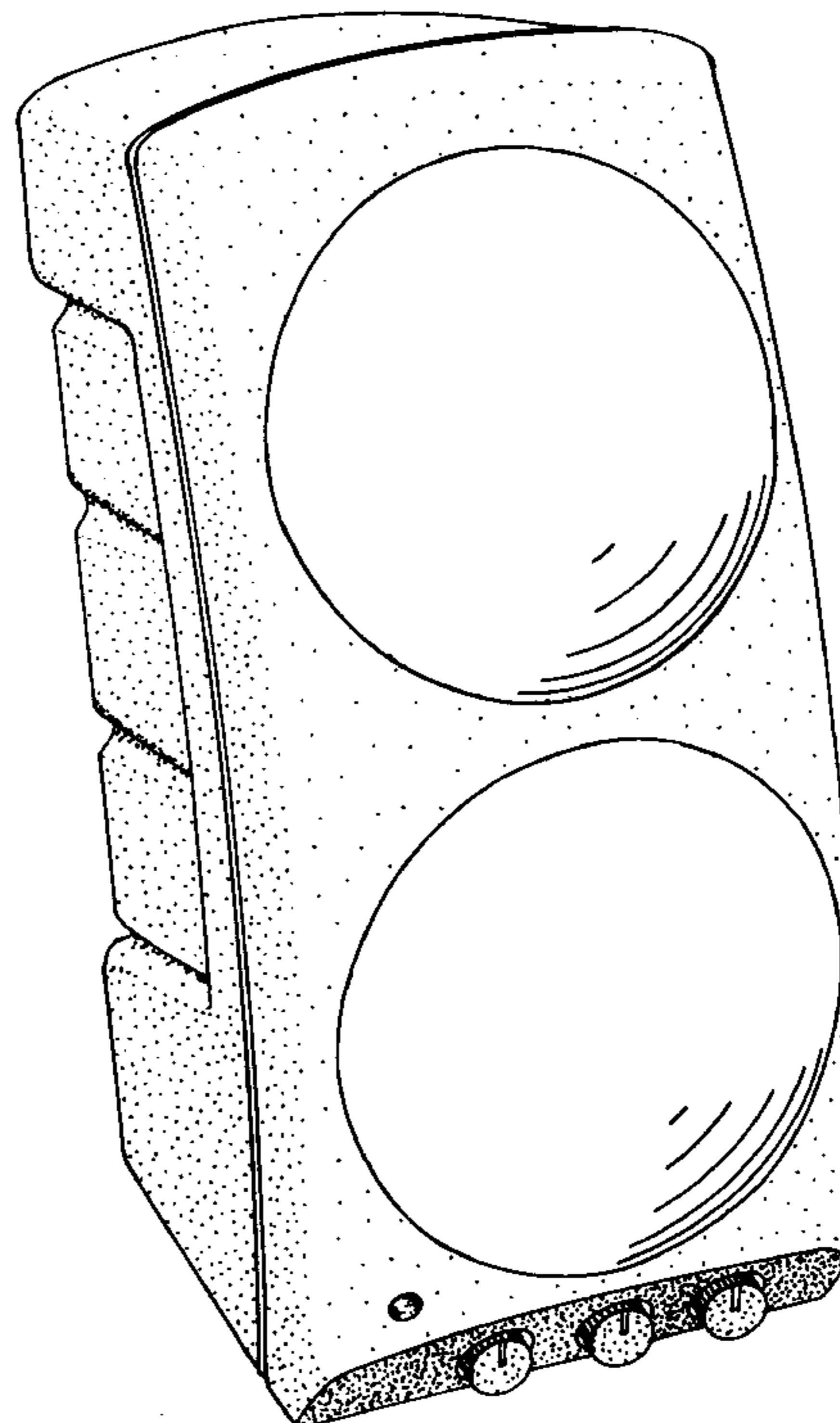
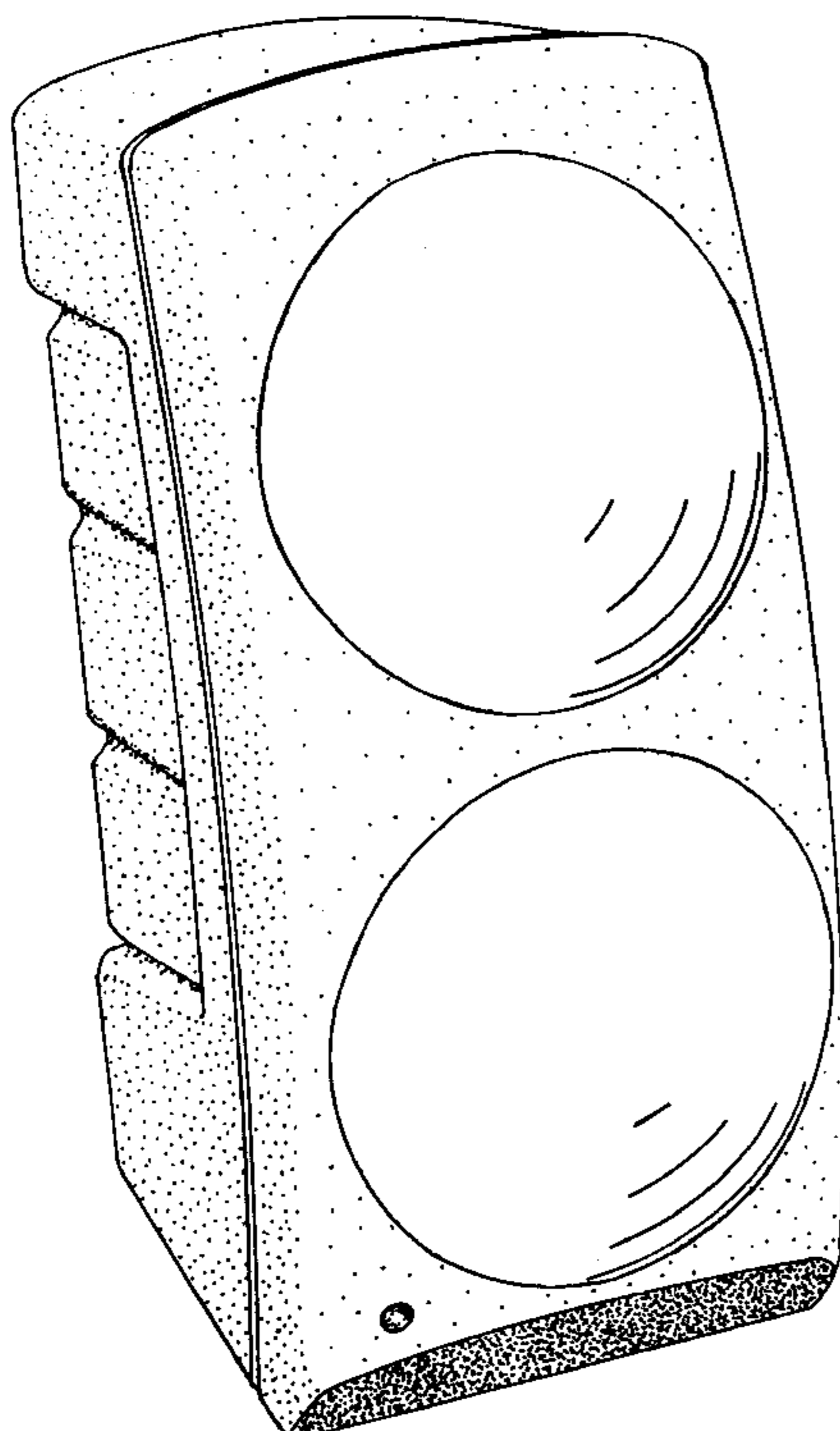
FIG. 12 is a rear view of the speaker of FIG. 8;

FIG. 13 is a top view of the speaker of FIG. 8; and,

FIG. 14 is a bottom view of the speaker of FIG. 8.

FIGS. 1 and 8 are on a reduced scale.

1 Claim, 14 Drawing Sheets



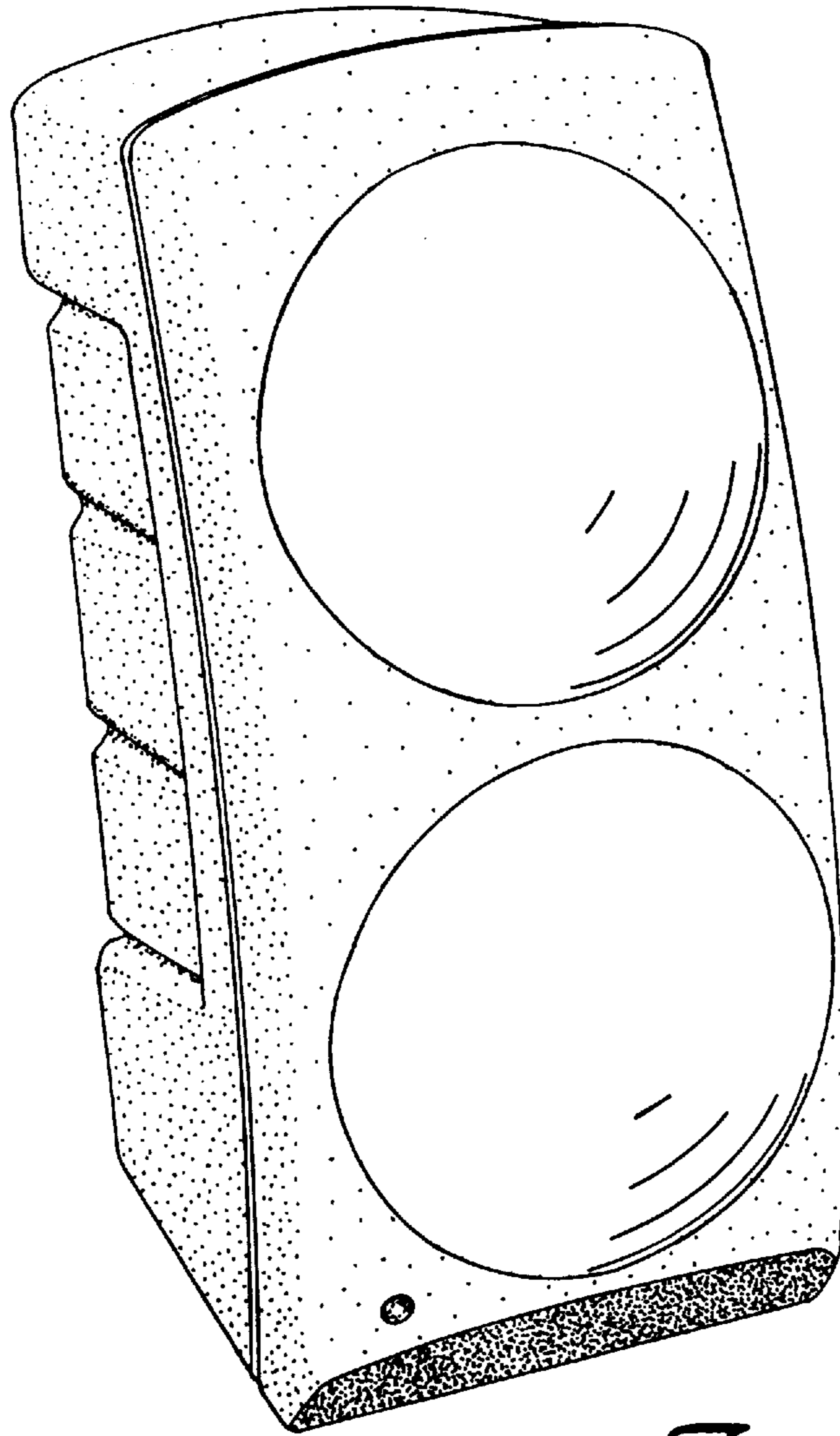


Fig. 1

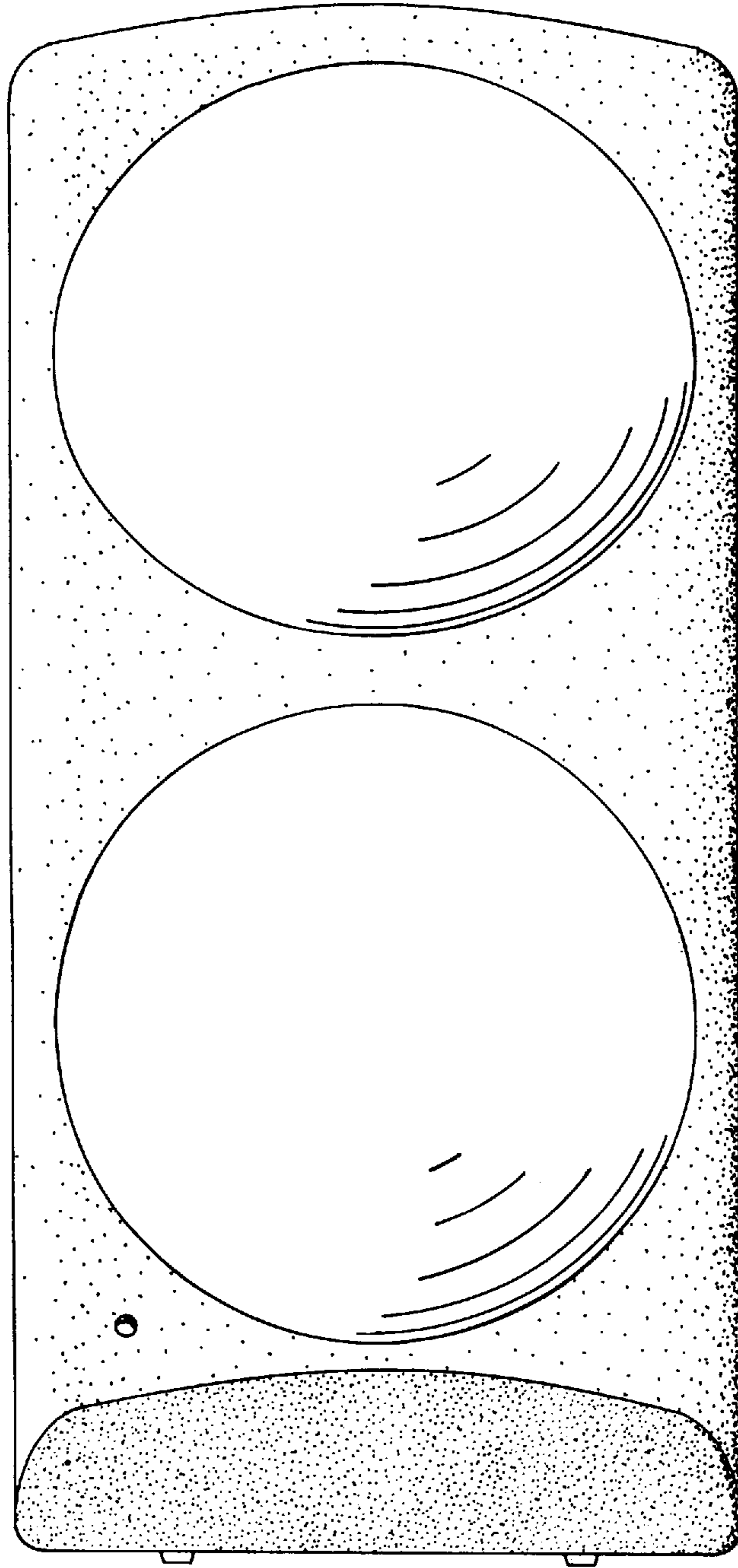


Fig. 2

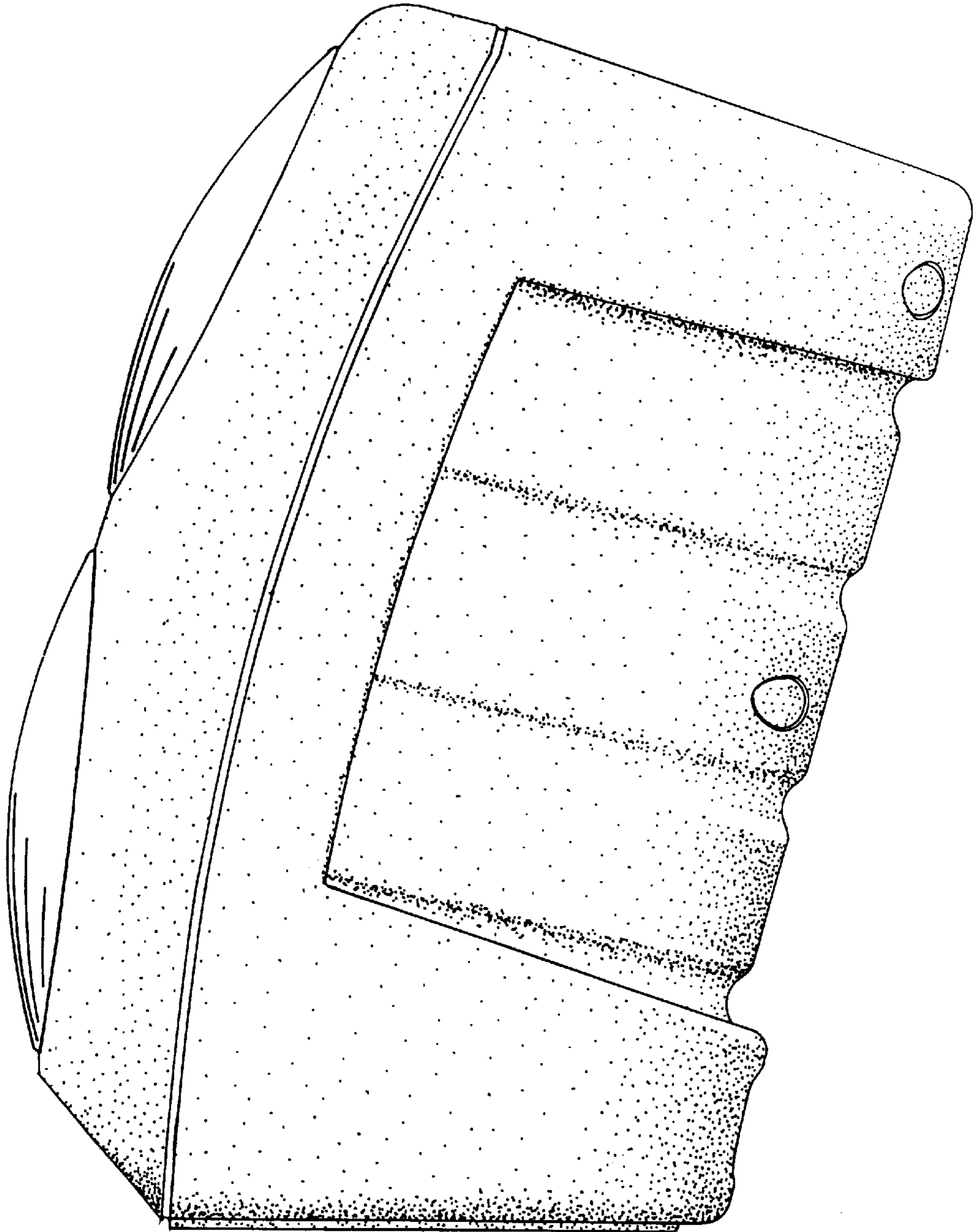


Fig. 3

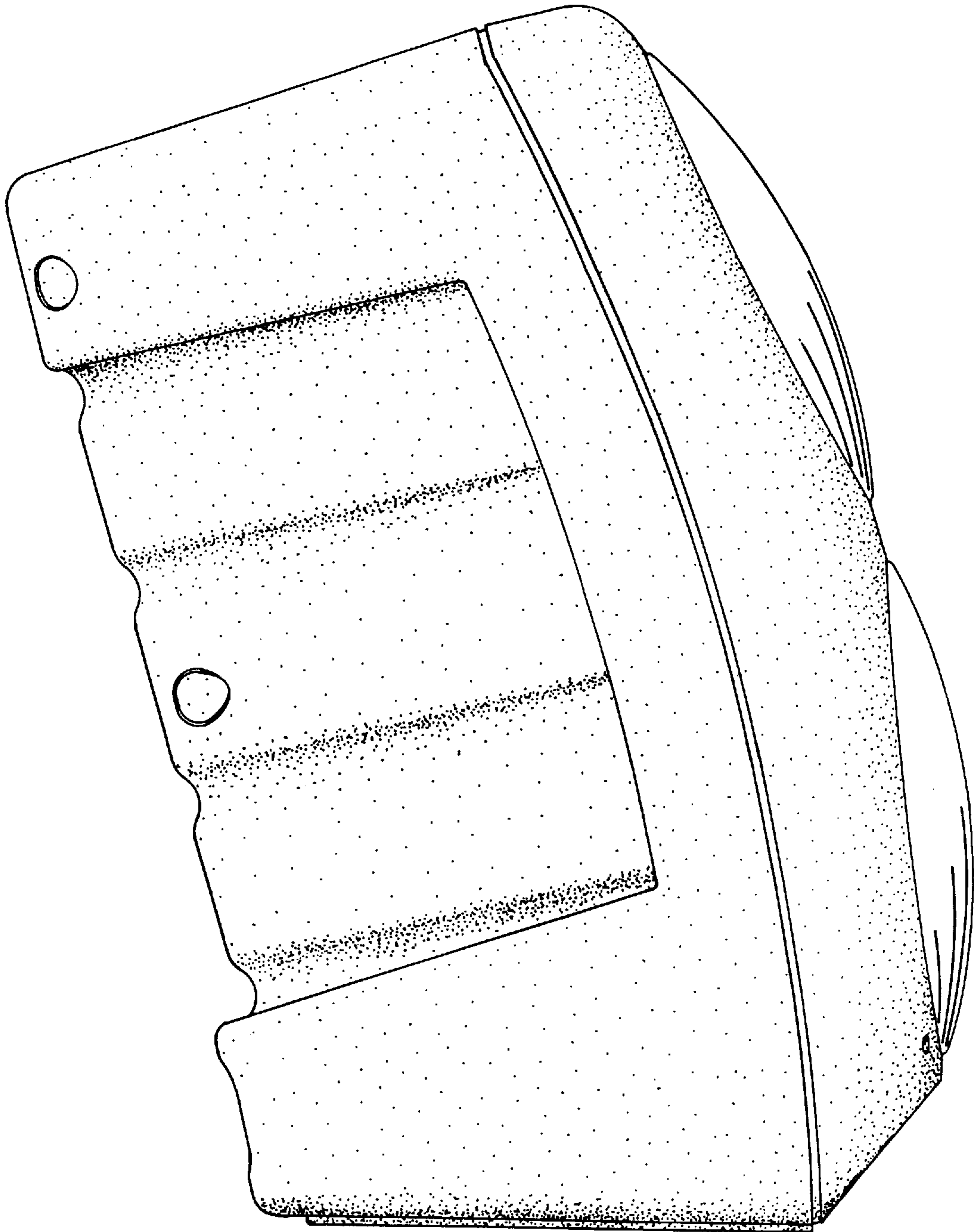


Fig. 4

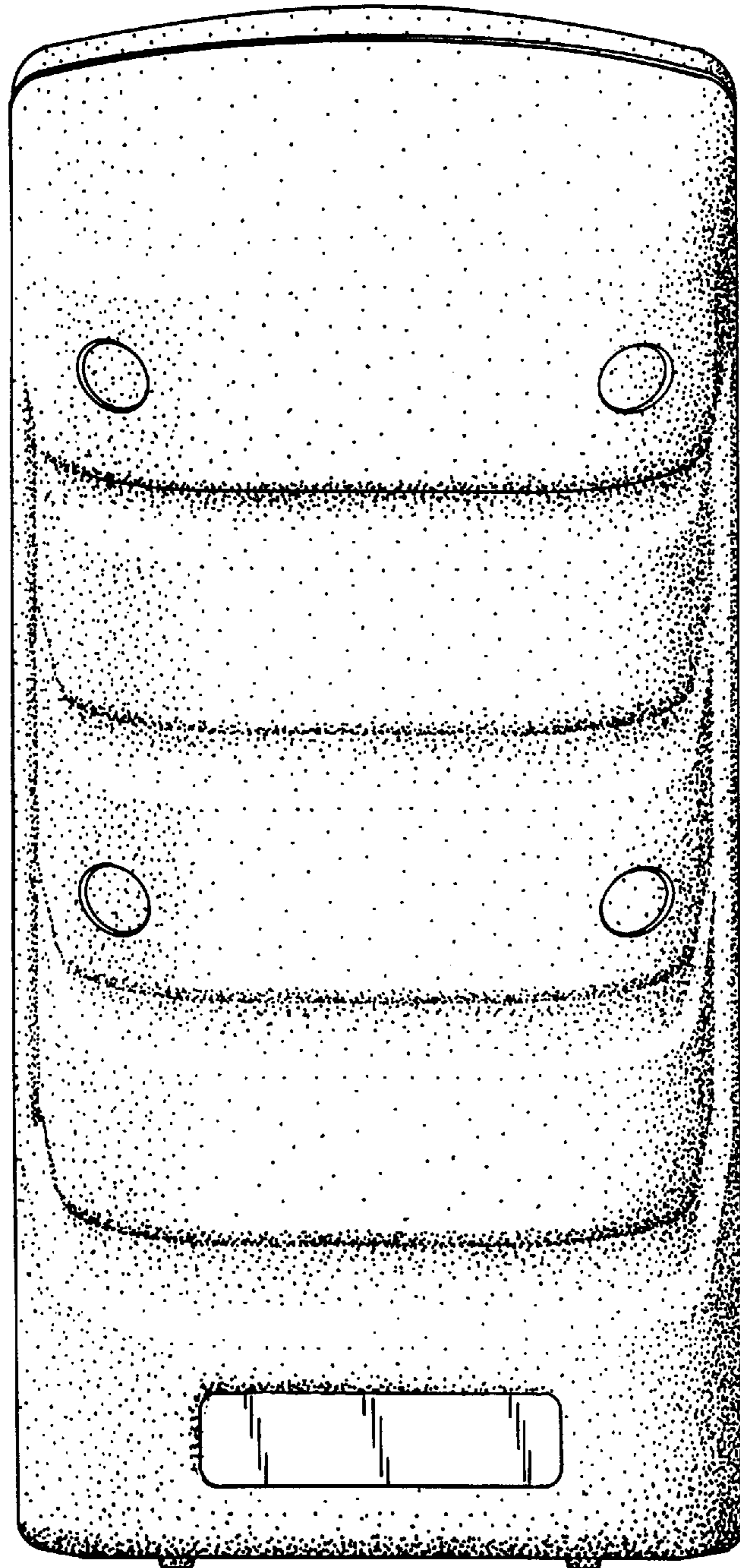


Fig. 5

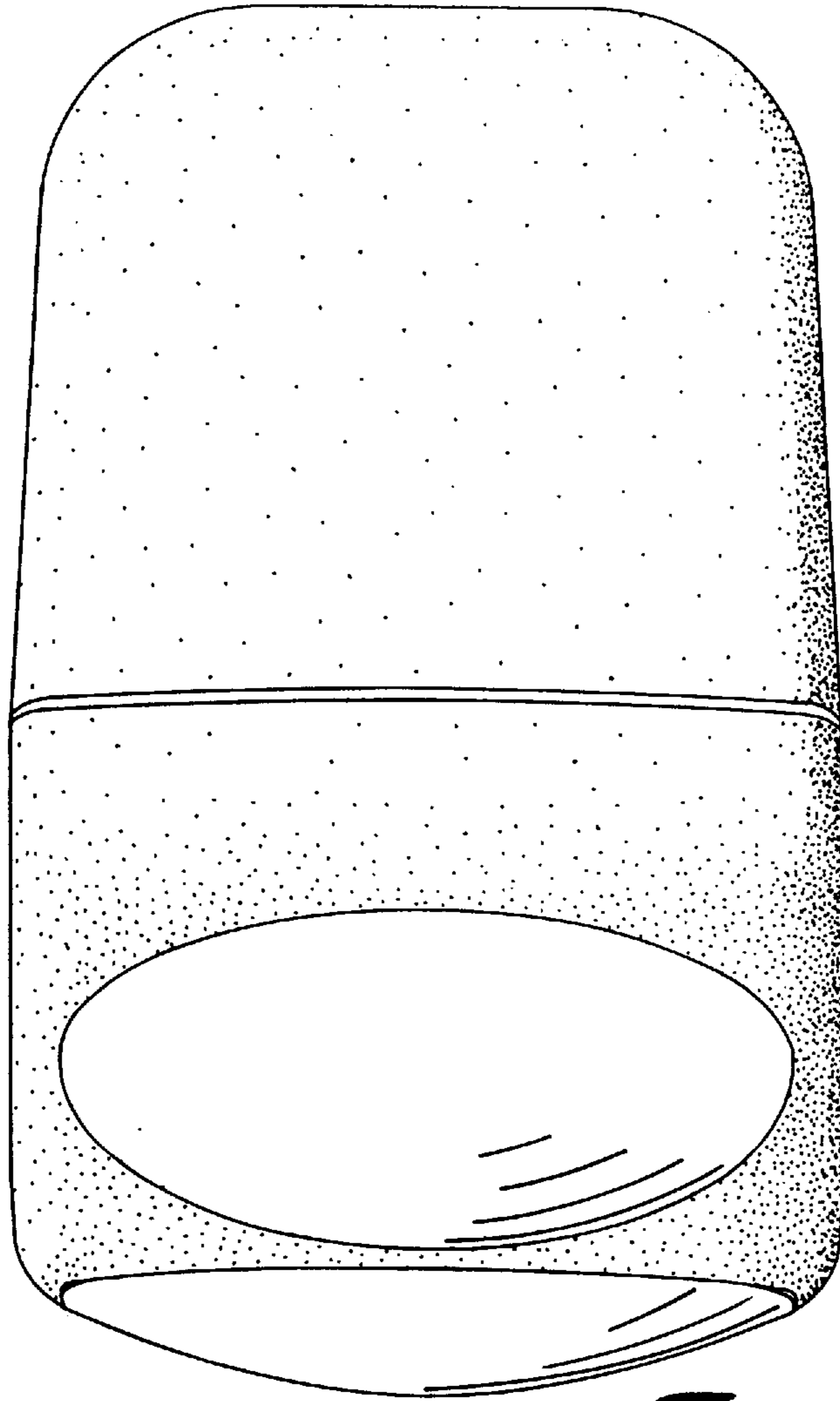


Fig. 6

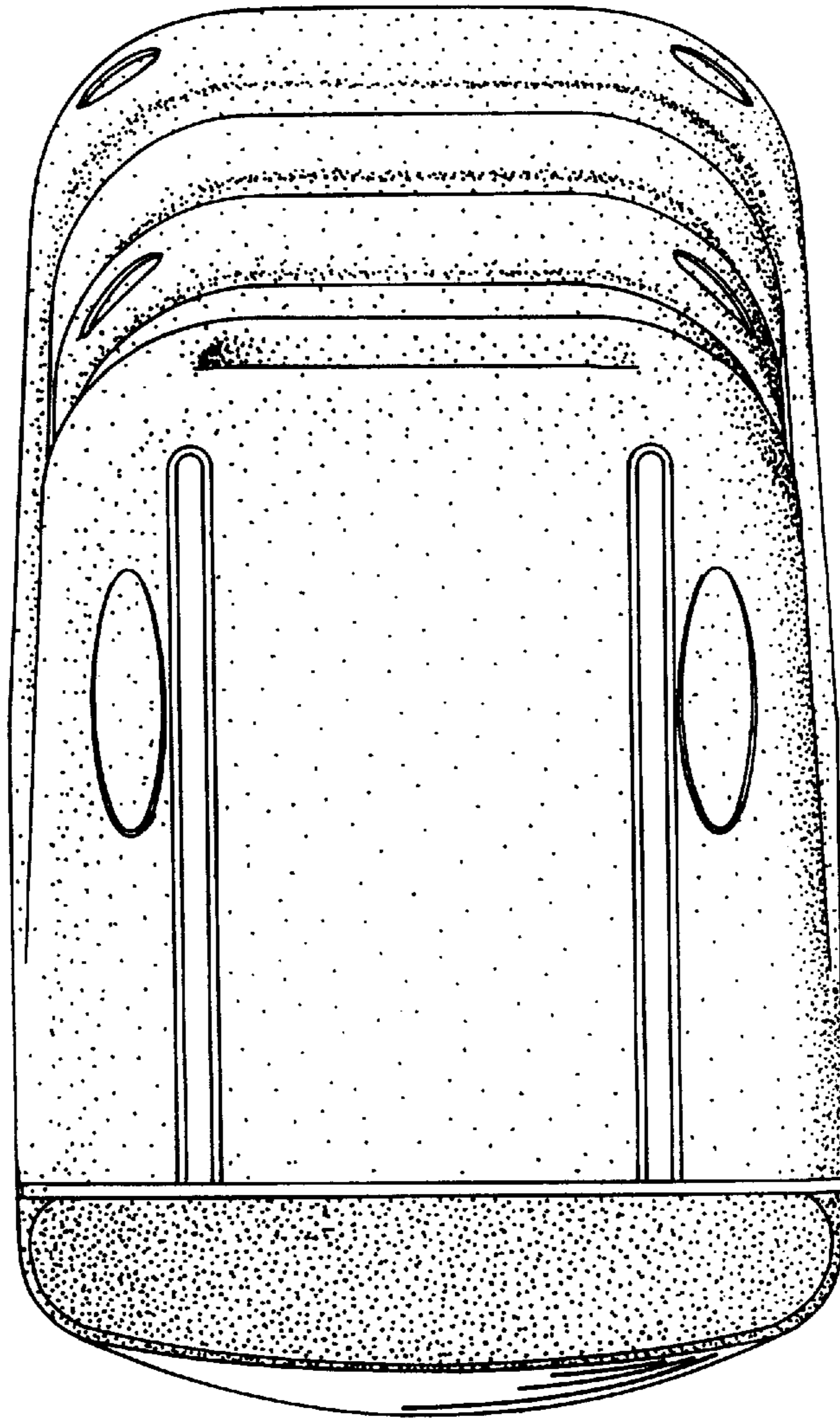


Fig. 7

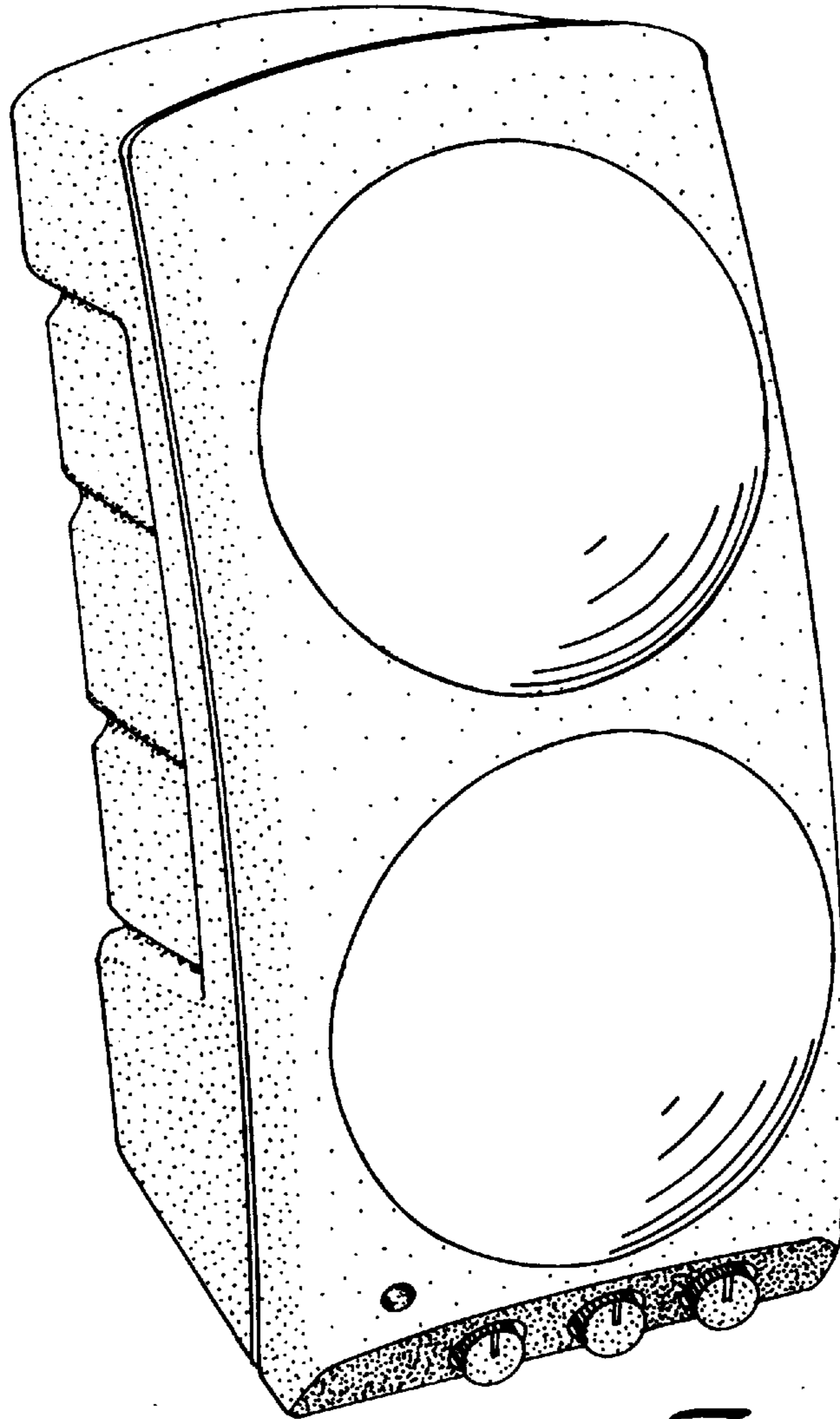


Fig. 8

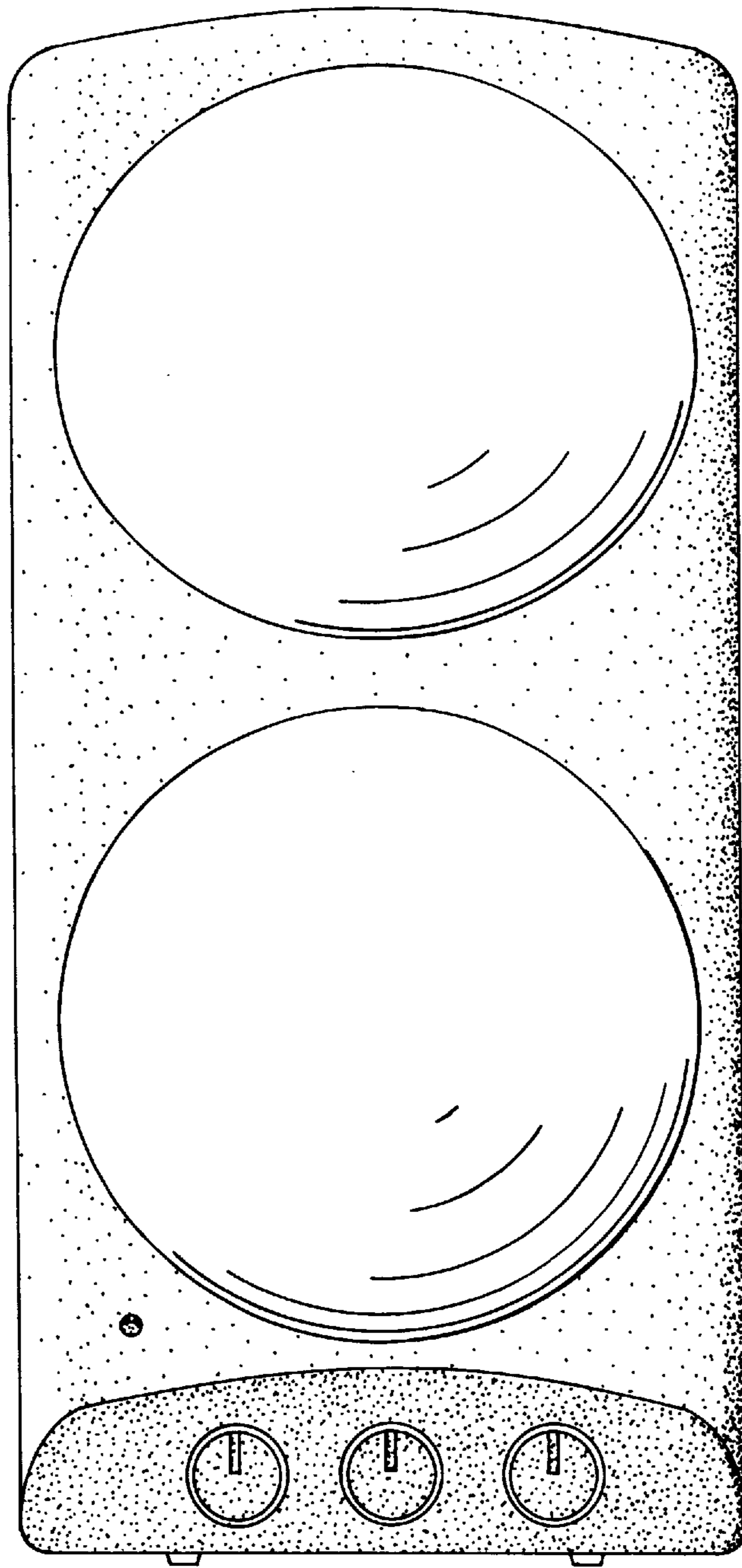


Fig. 9

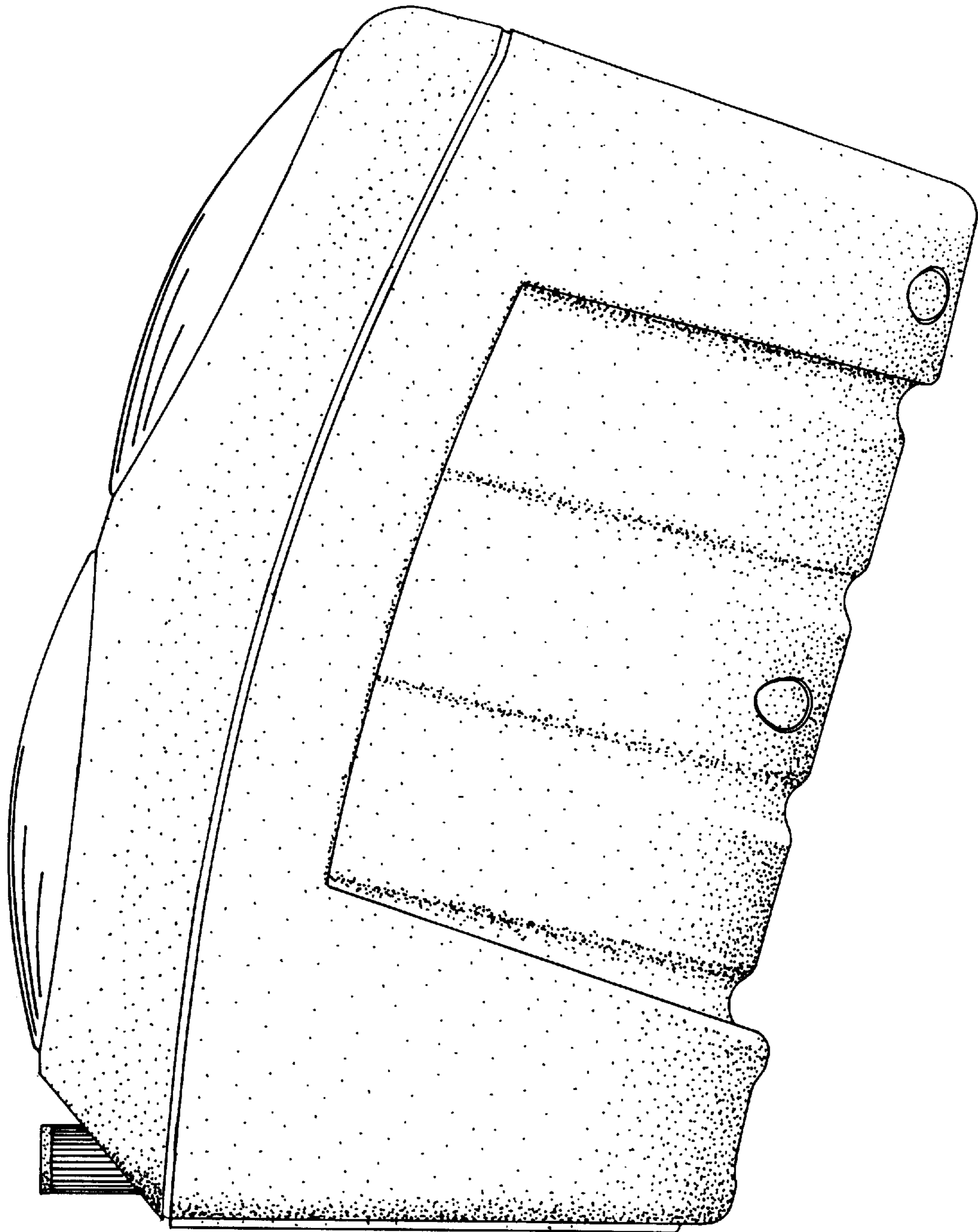


Fig. 10

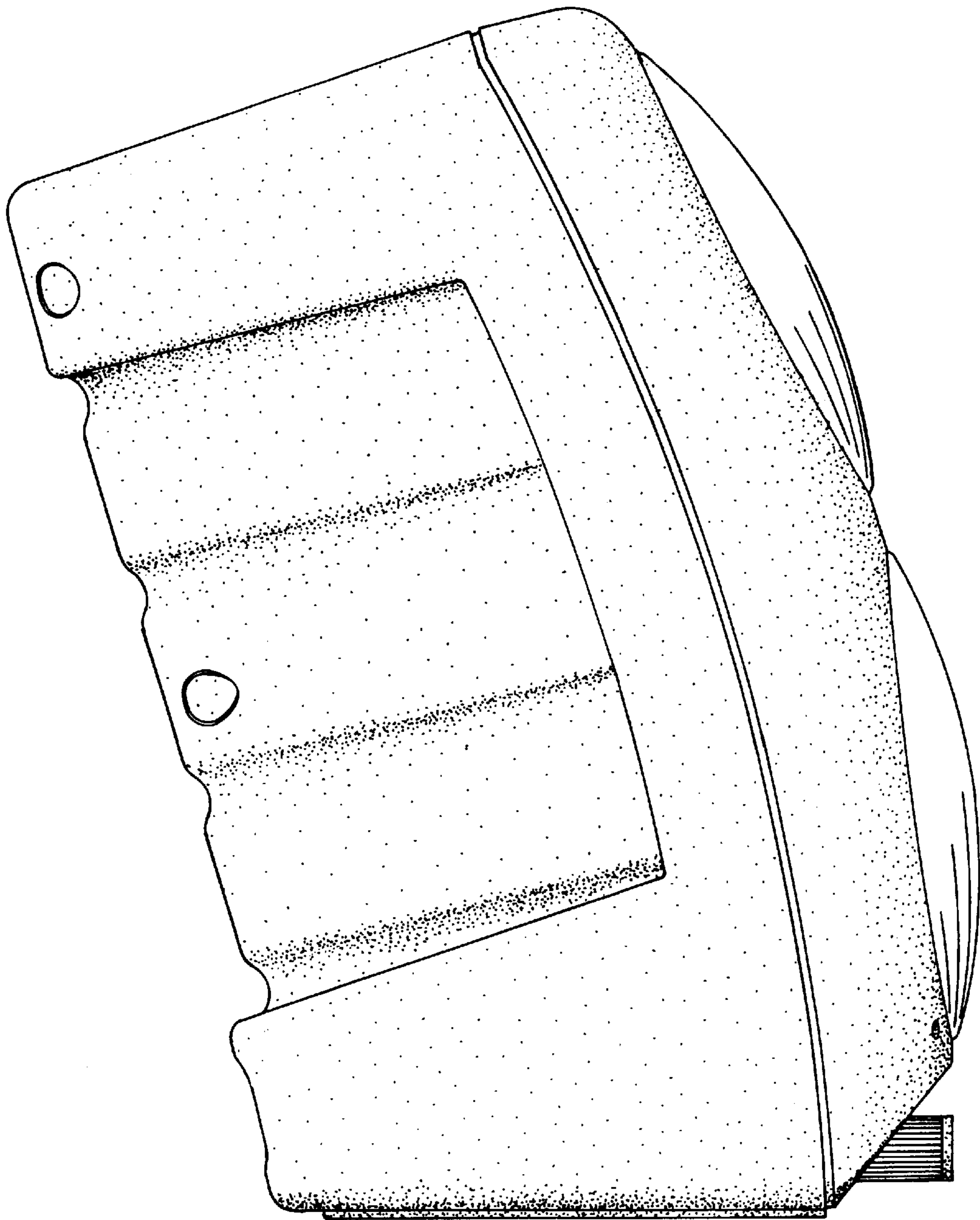


Fig. 11

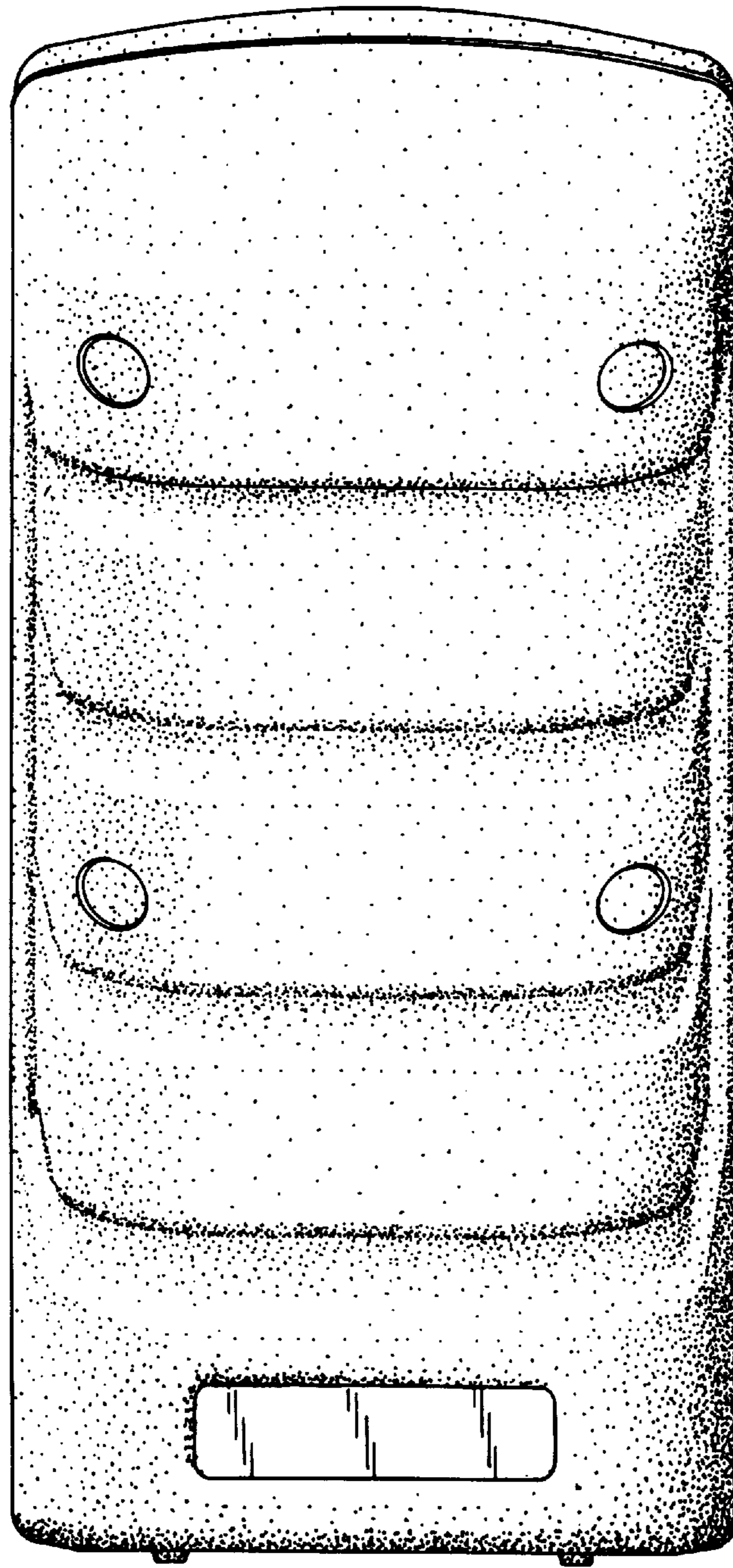


Fig. 12

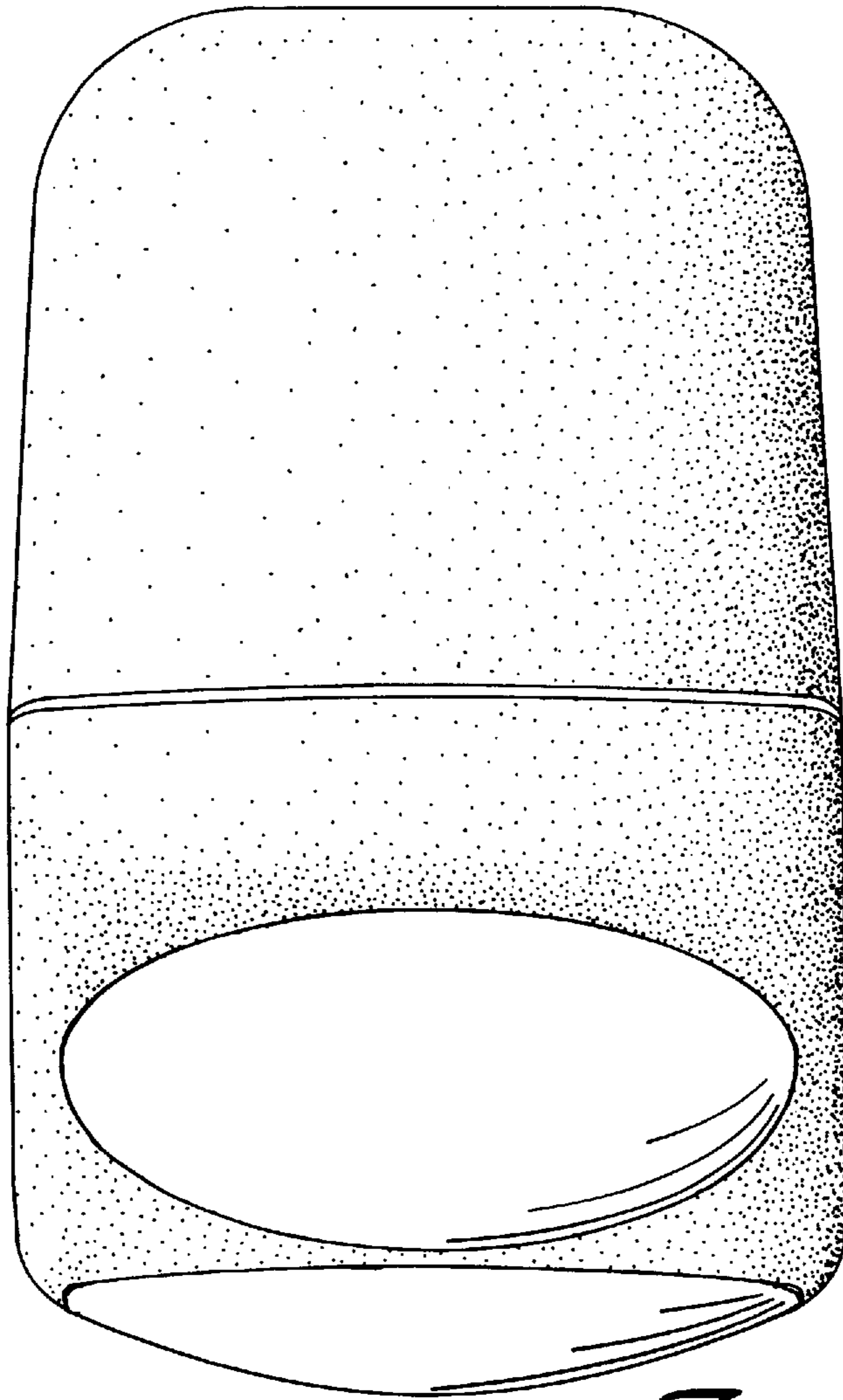


Fig. 13

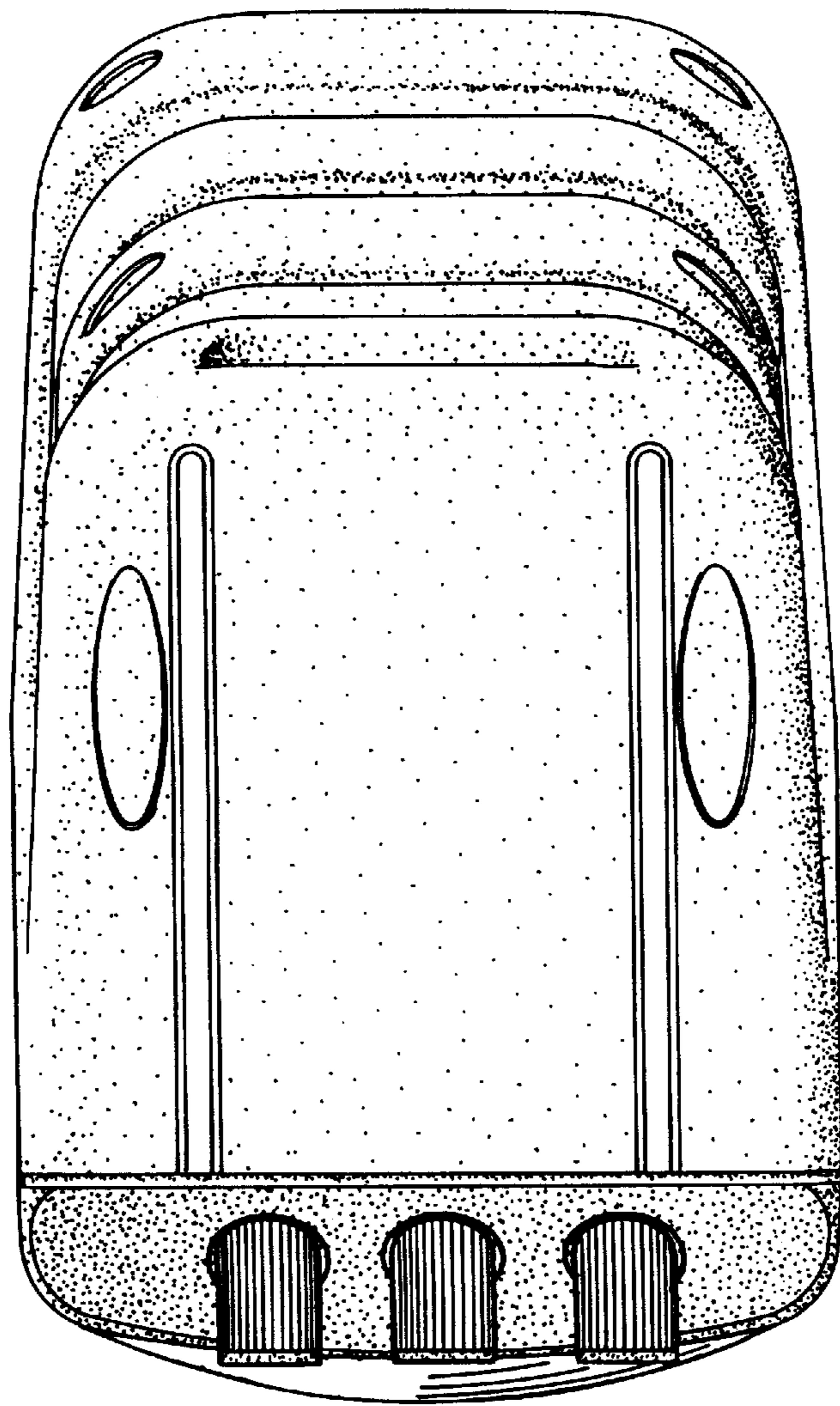


Fig. 14