



US00D401238S

United States Patent [19]
Shiono

[11] **Patent Number: Des. 401,238**

[45] **Date of Patent: **Nov. 17, 1998**

[54] **PAGER**

[75] Inventor: **Daisuke Shiono**, Tokyo, Japan

[73] Assignee: **Sony Corporation**, Tokyo, Japan

[**] Term: **14 Years**

[21] Appl. No.: **72,777**

[22] Filed: **Jun. 30, 1997**

[51] **LOC (6) Cl.** **14-03**

[52] **U.S. Cl.** **D14/191**

[58] **Field of Search** D14/124, 188,
D14/191, 192, 299; 340/311.1; 455/38.1-38.4,
90, 92, 100, 128, 344

[56] **References Cited**

U.S. PATENT DOCUMENTS

- D. 276,158 10/1984 Lee et al. D14/192
- D. 326,853 6/1992 Ogasawara D14/188
- D. 350,133 8/1994 Kanno D14/188 X
- D. 367,276 2/1996 Scheid et al. D14/191

Primary Examiner—Ted Shooman
Assistant Examiner—Nanda Bondade
Attorney, Agent, or Firm—Foley & Lardner

[57] **CLAIM**

The ornamental design for a pager, as shown and described.

DESCRIPTION

FIG. 1 is a perspective view of a first embodiment of a pager showing my new design;

FIG. 2 is a left side elevational view thereof;

FIG. 3 is a top plan view thereof;

FIG. 4 is a front elevational view thereof;

FIG. 5 is a bottom plan view thereof;

FIG. 6 is a right side elevational view thereof;

FIG. 7 is a rear elevational view thereof;

FIG. 8 is a perspective view of a second embodiment of a pager showing my new design;

FIG. 9 is a left side elevational view thereof;

FIG. 10 is a top plan view thereof;

FIG. 11 is a front elevational view of the embodiment of FIG. 8;

FIG. 12 is a bottom plan view of the embodiment of FIG. 8;

FIG. 13 is a right side elevational view of the embodiment of FIG. 8; and,

FIG. 14 is a rear elevational view of the embodiment of FIG. 8.

1 Claim, 6 Drawing Sheets

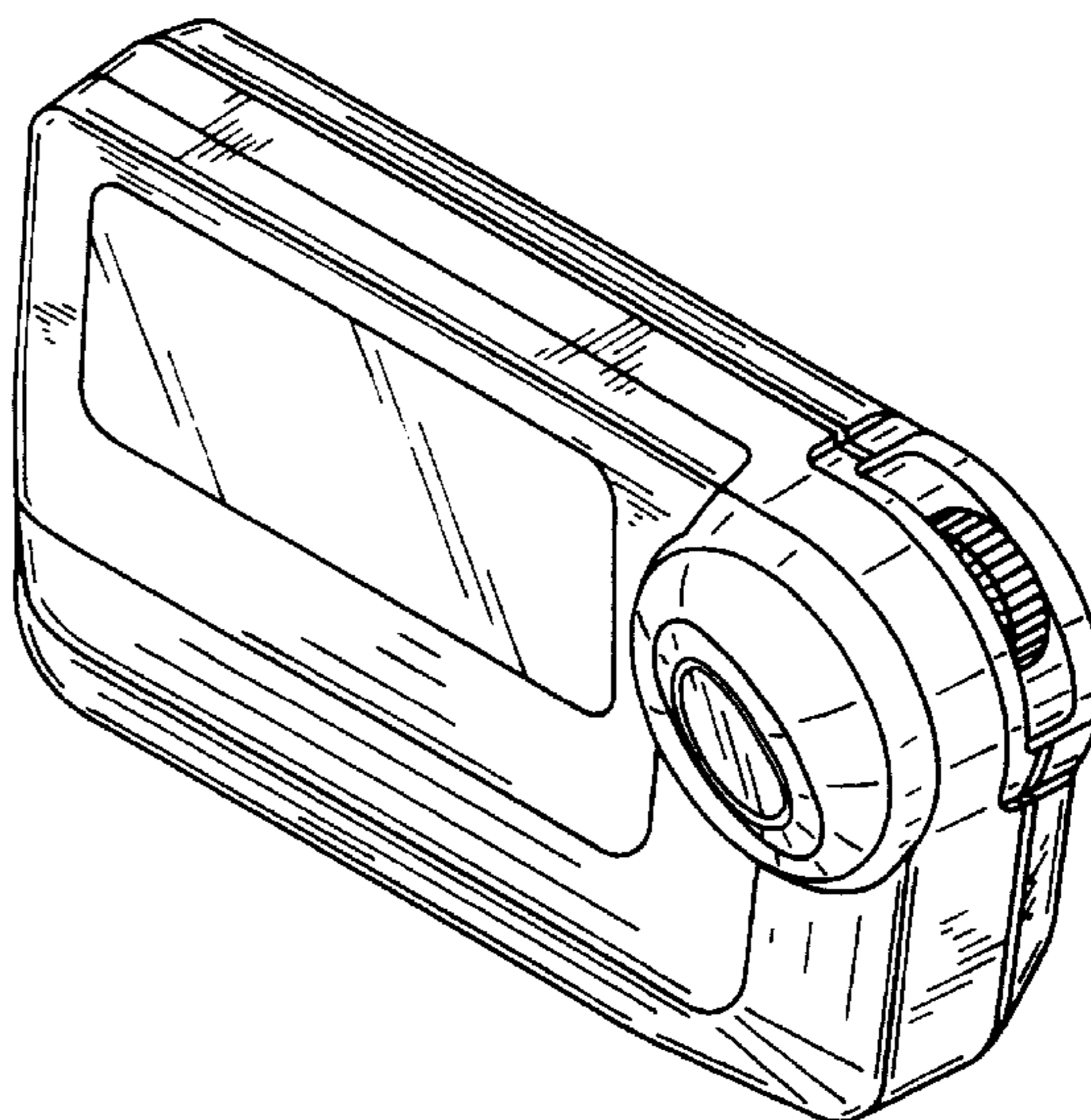
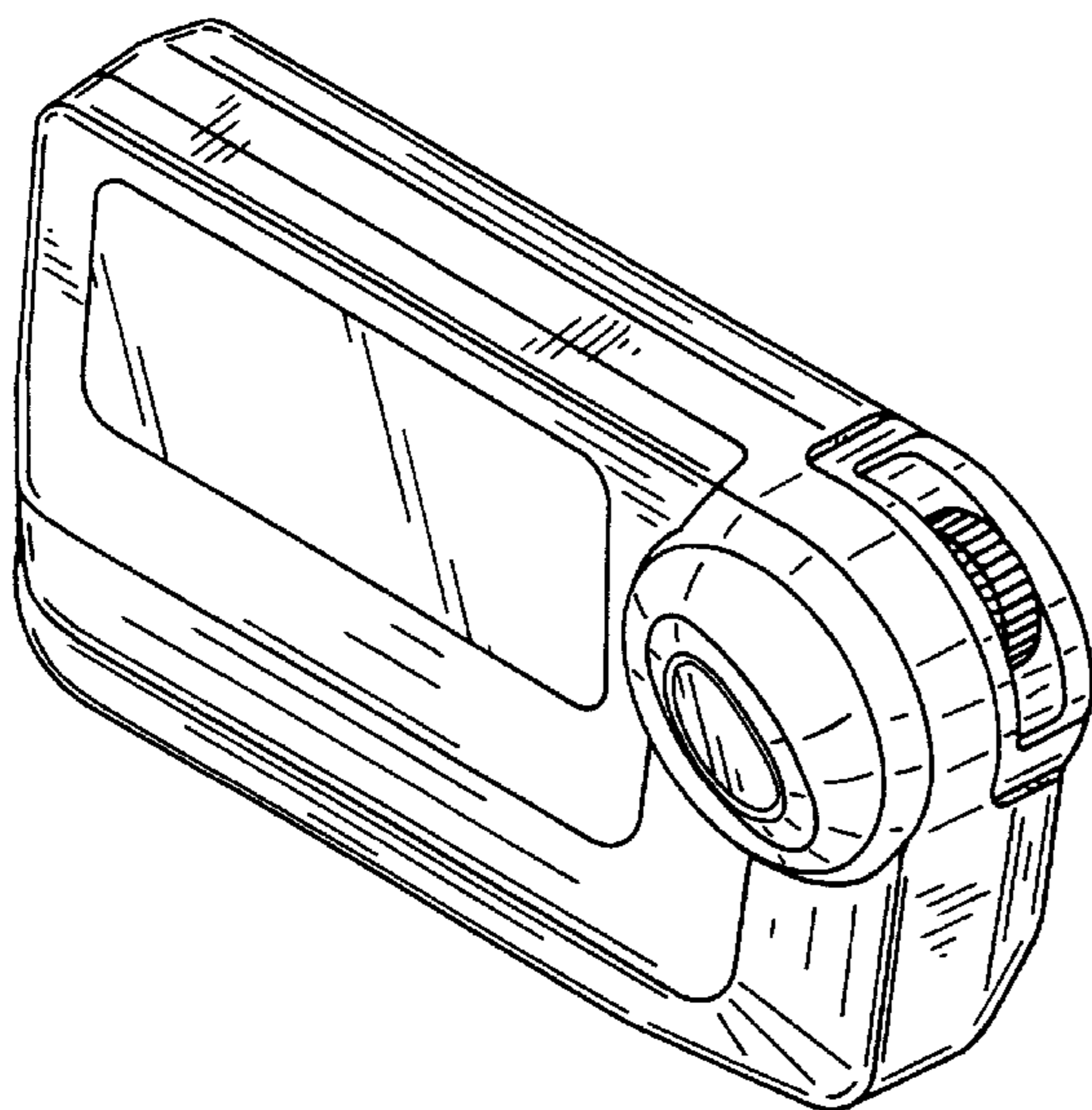


FIG. 1

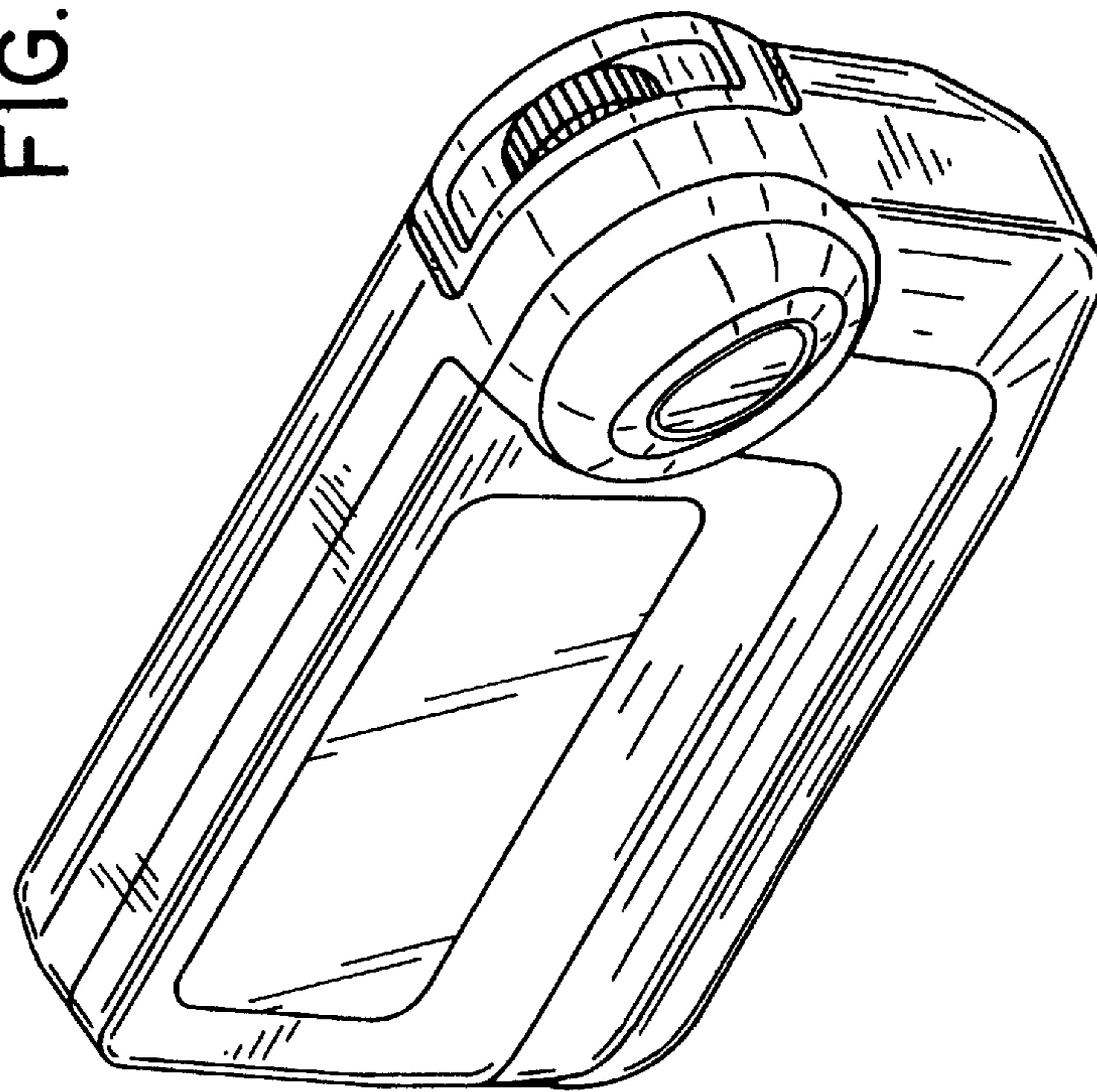


FIG.3

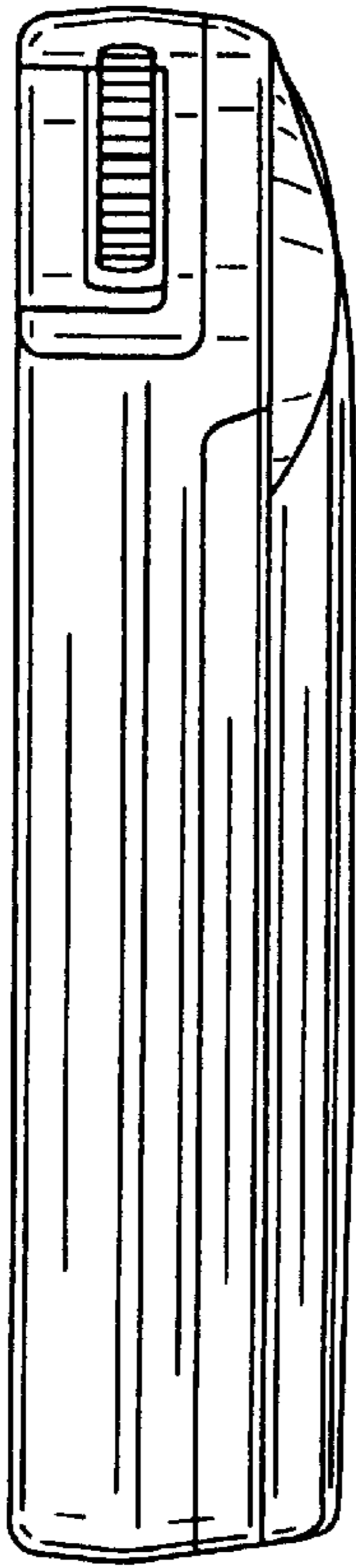


FIG.4

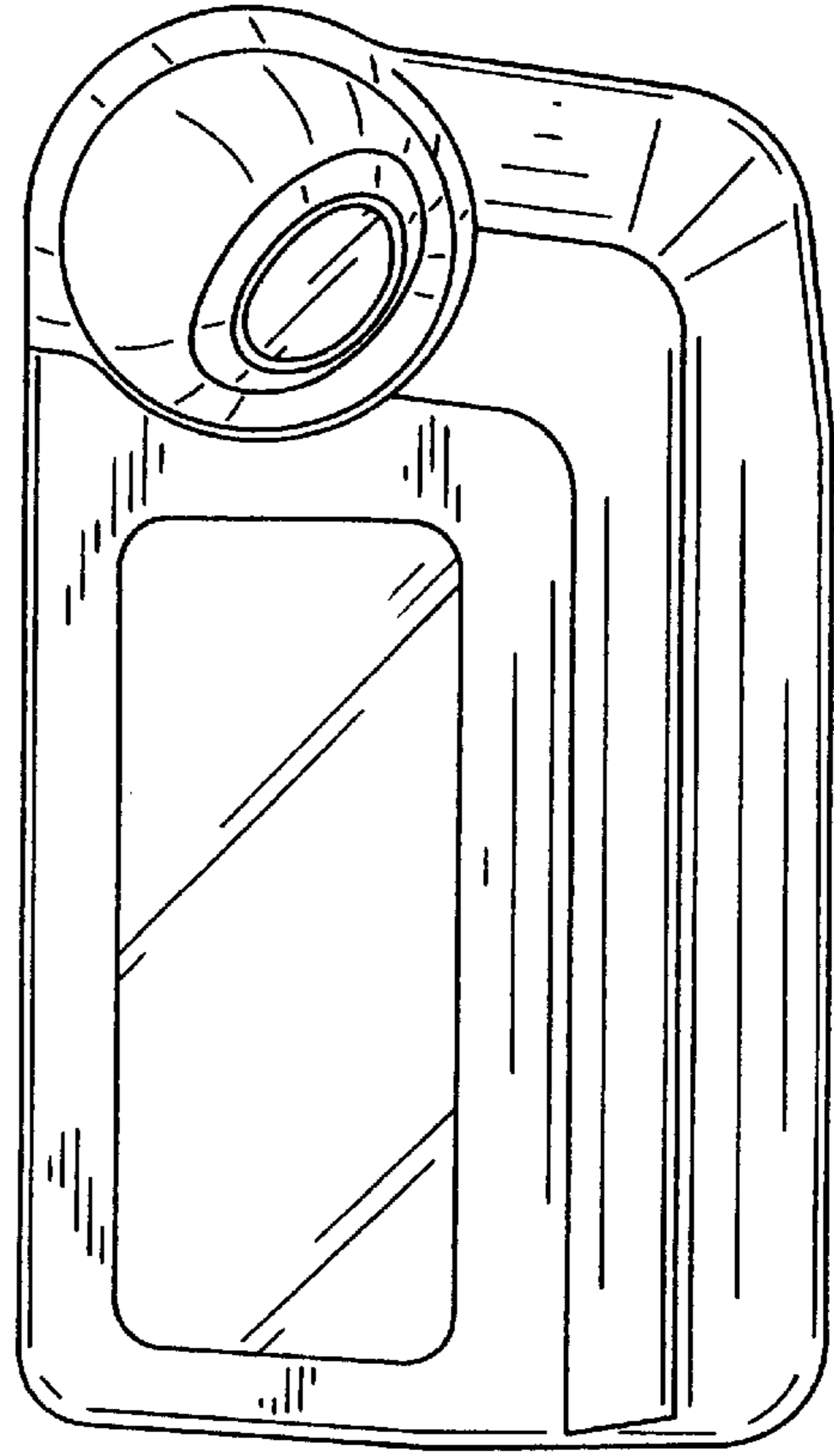


FIG.2

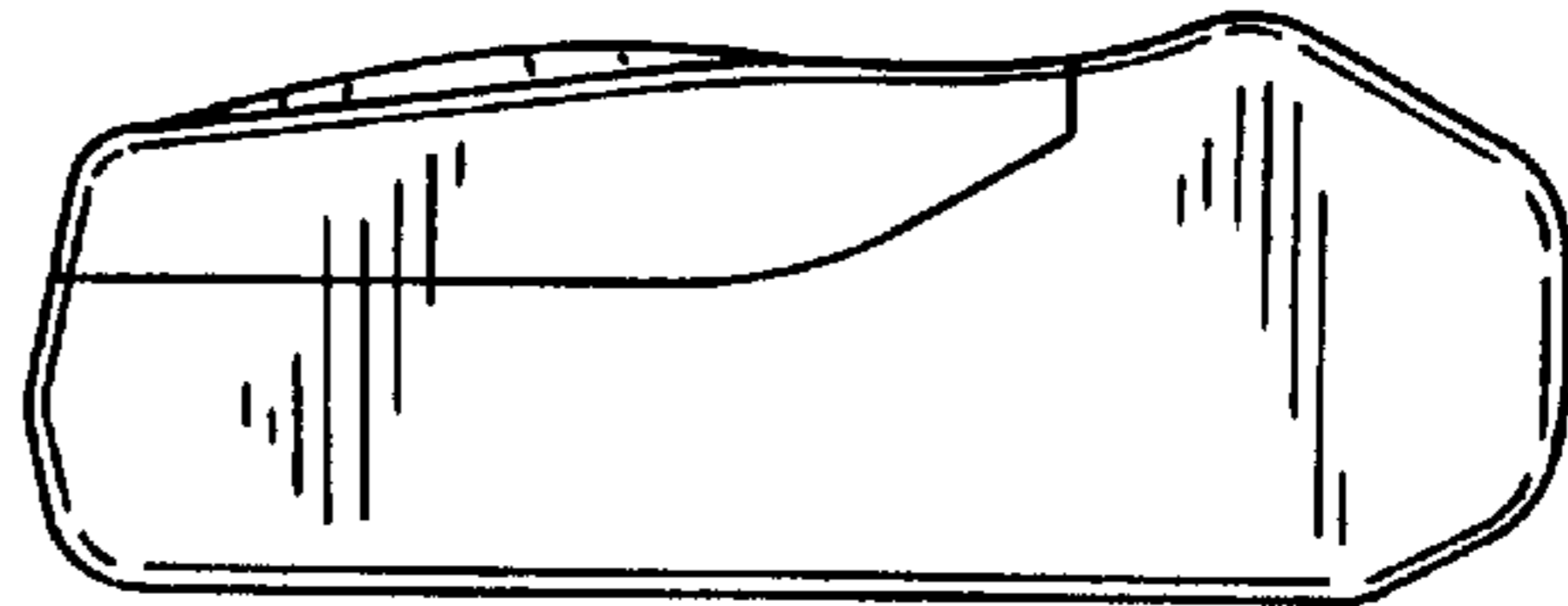


FIG. 5

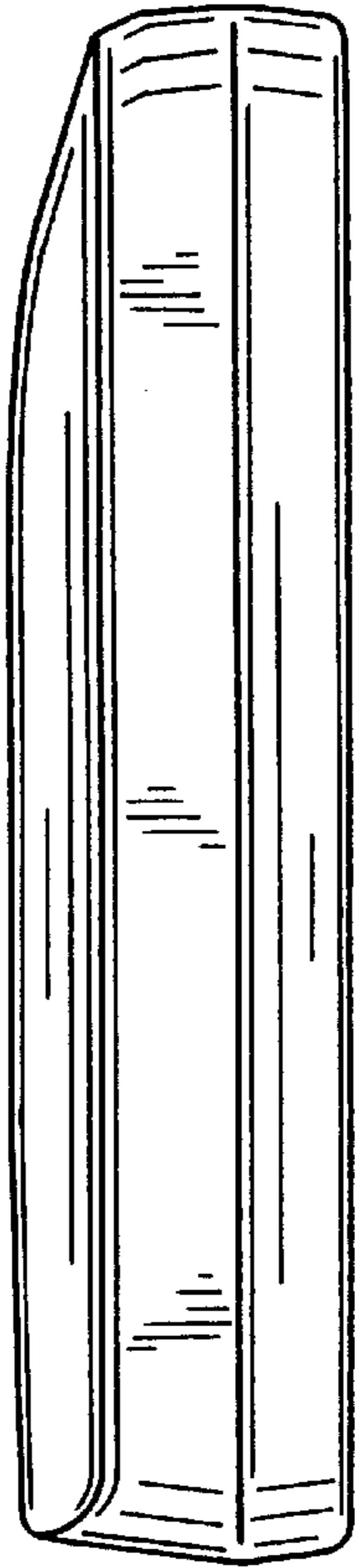


FIG. 7

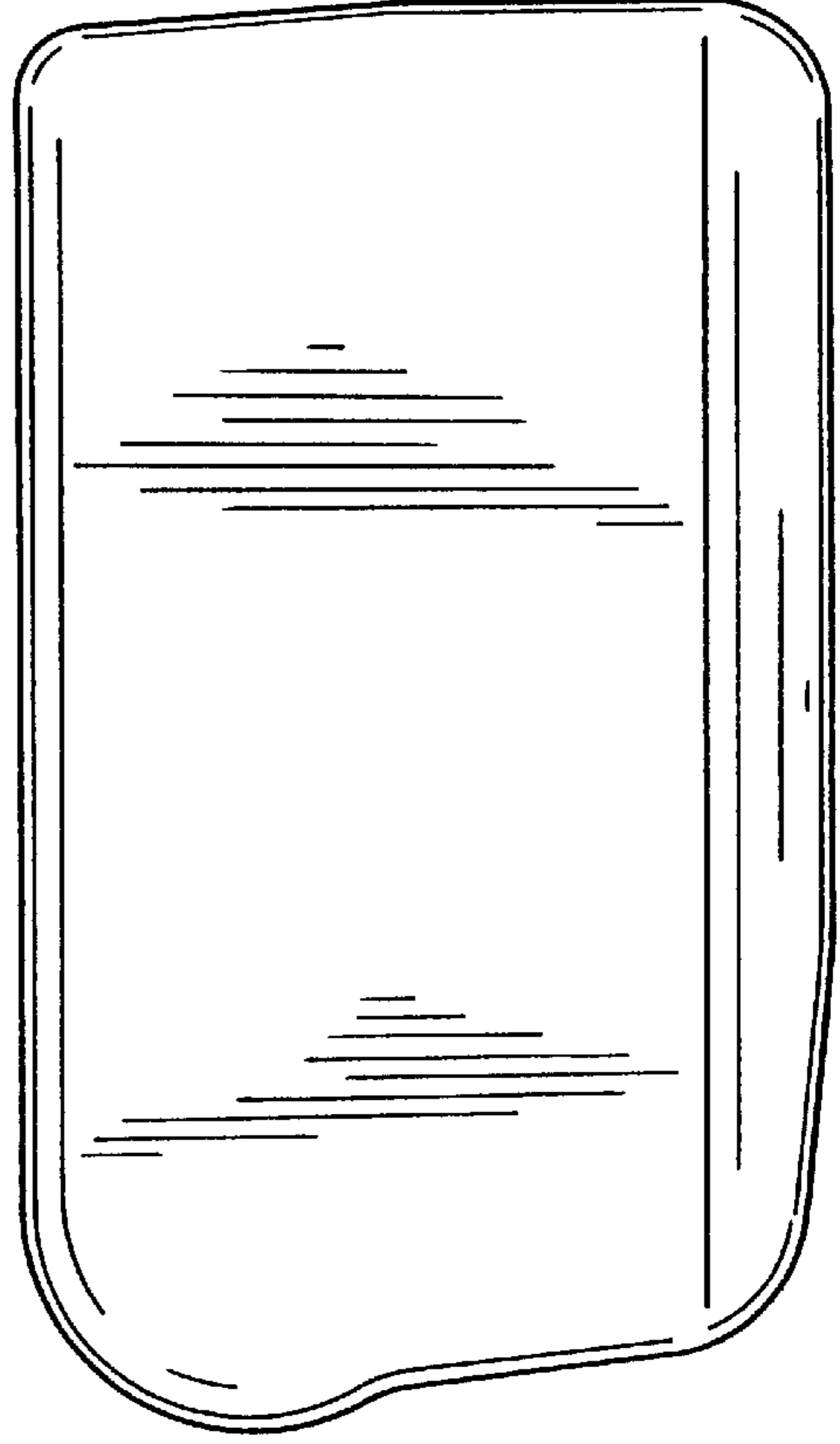


FIG. 6

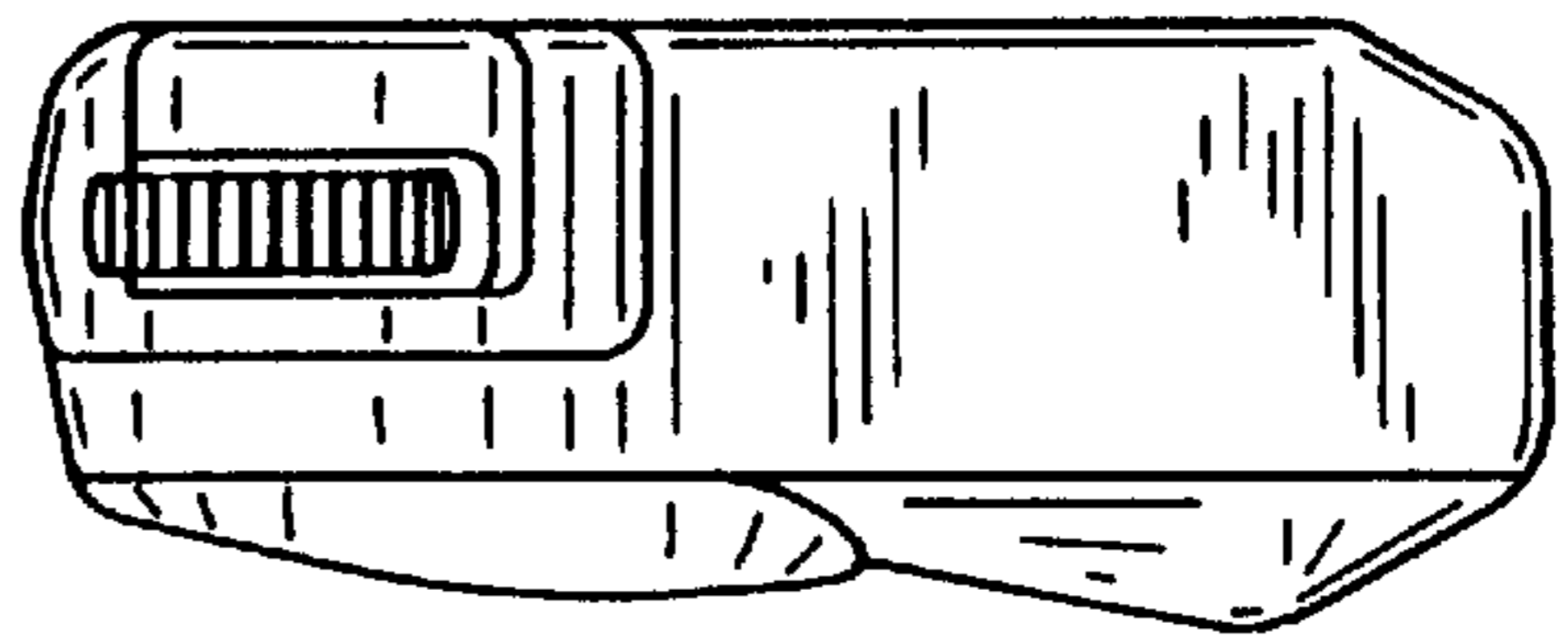


FIG. 8

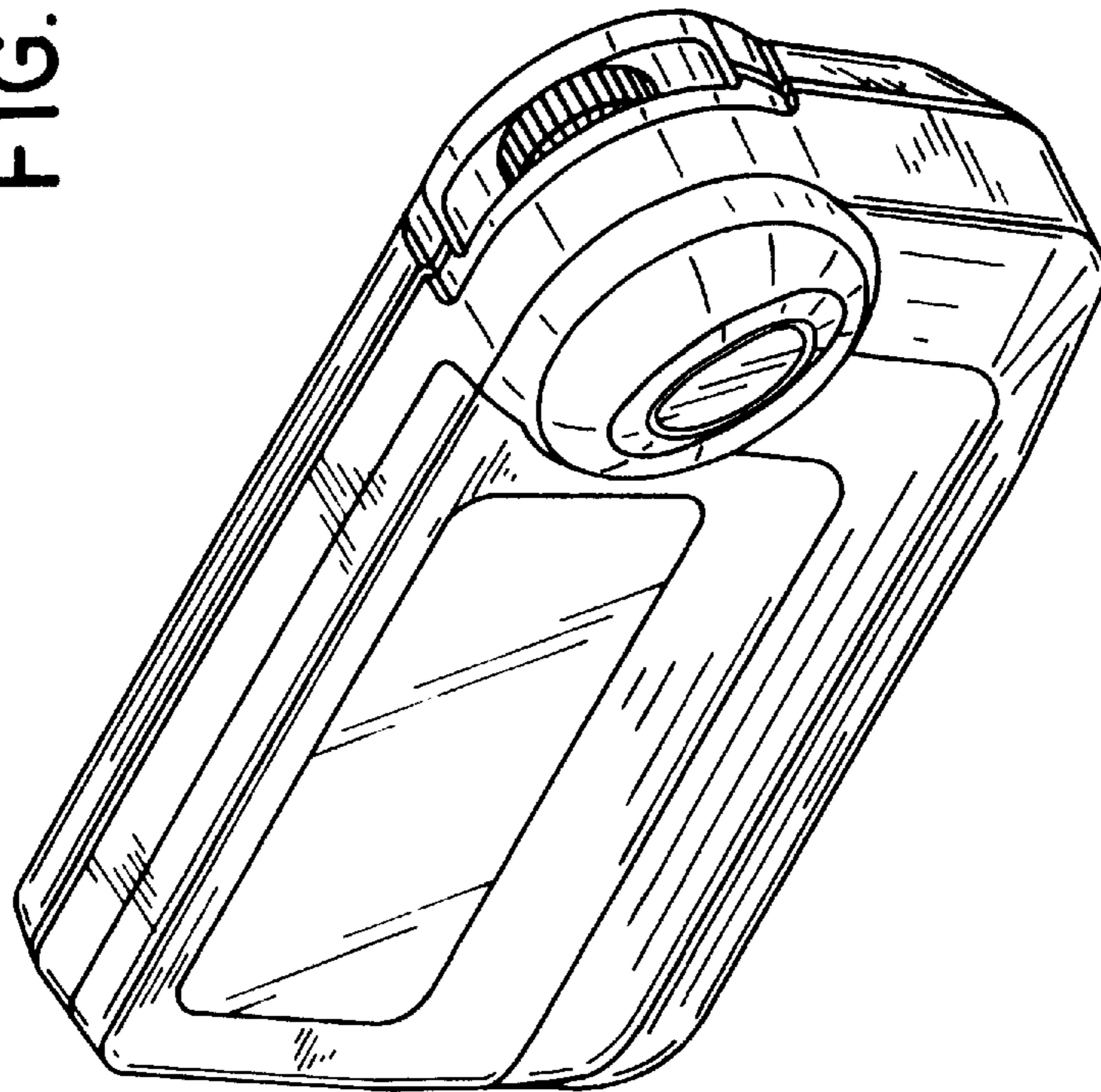


FIG.10

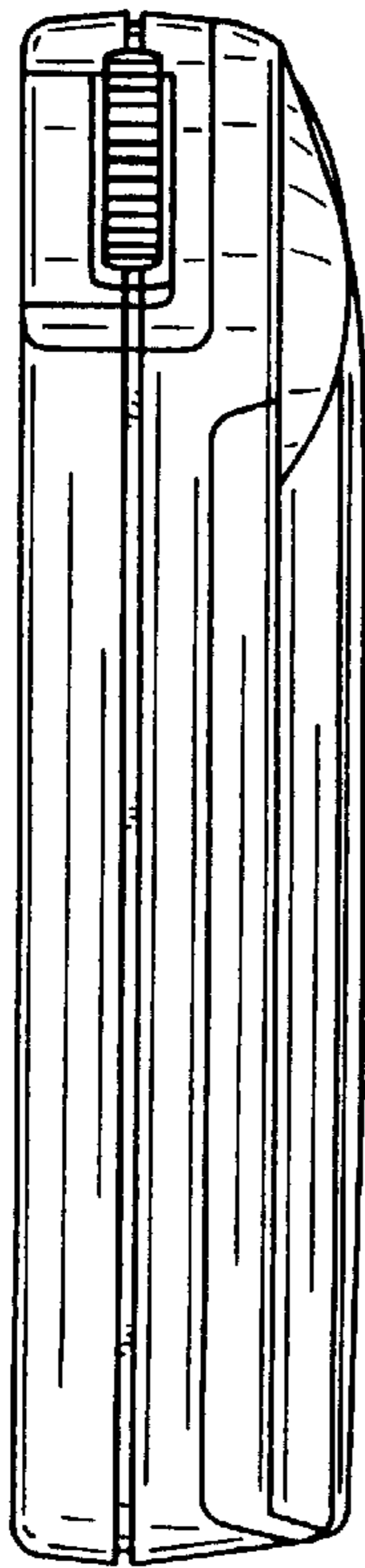


FIG.11

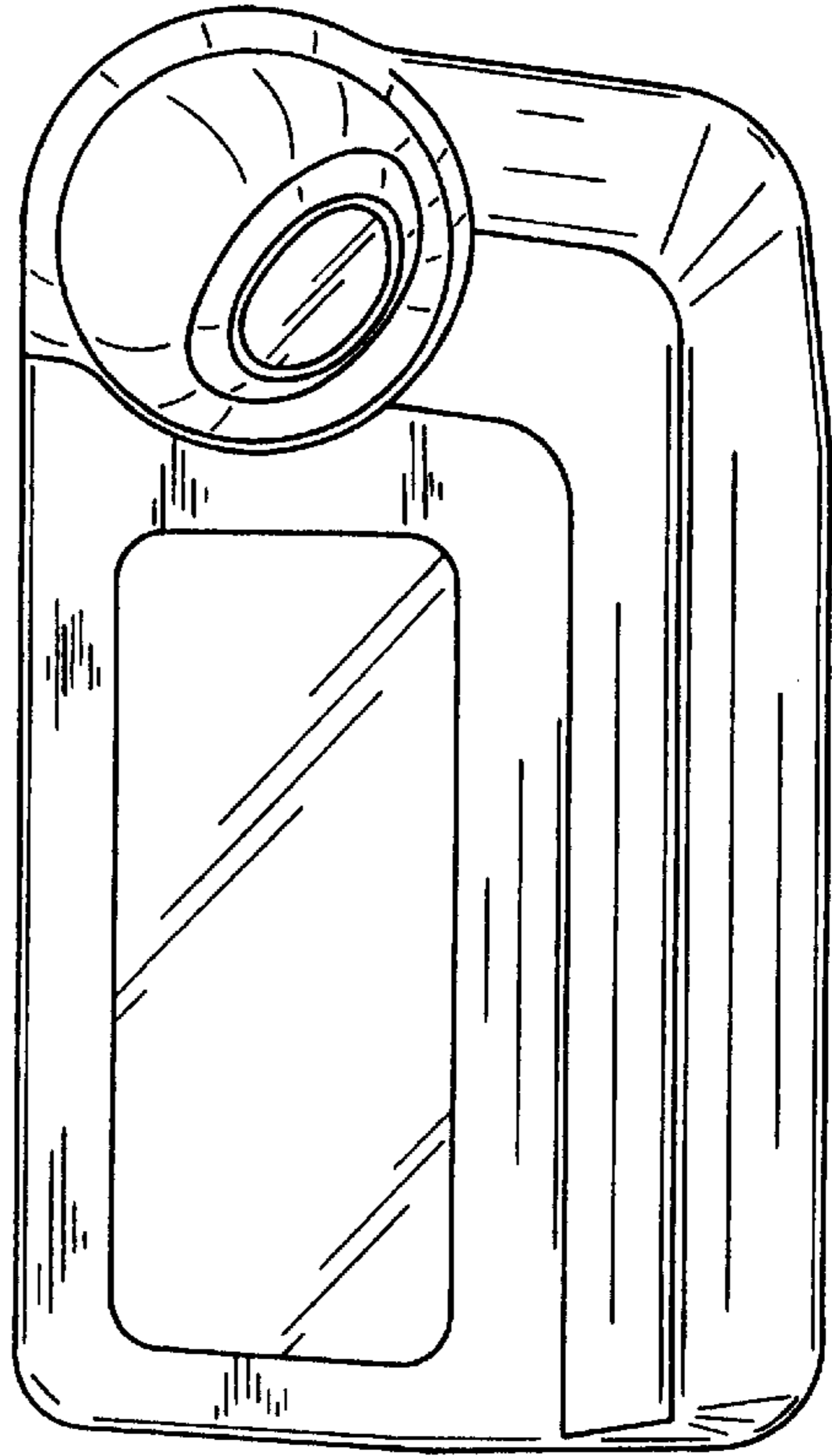


FIG.9

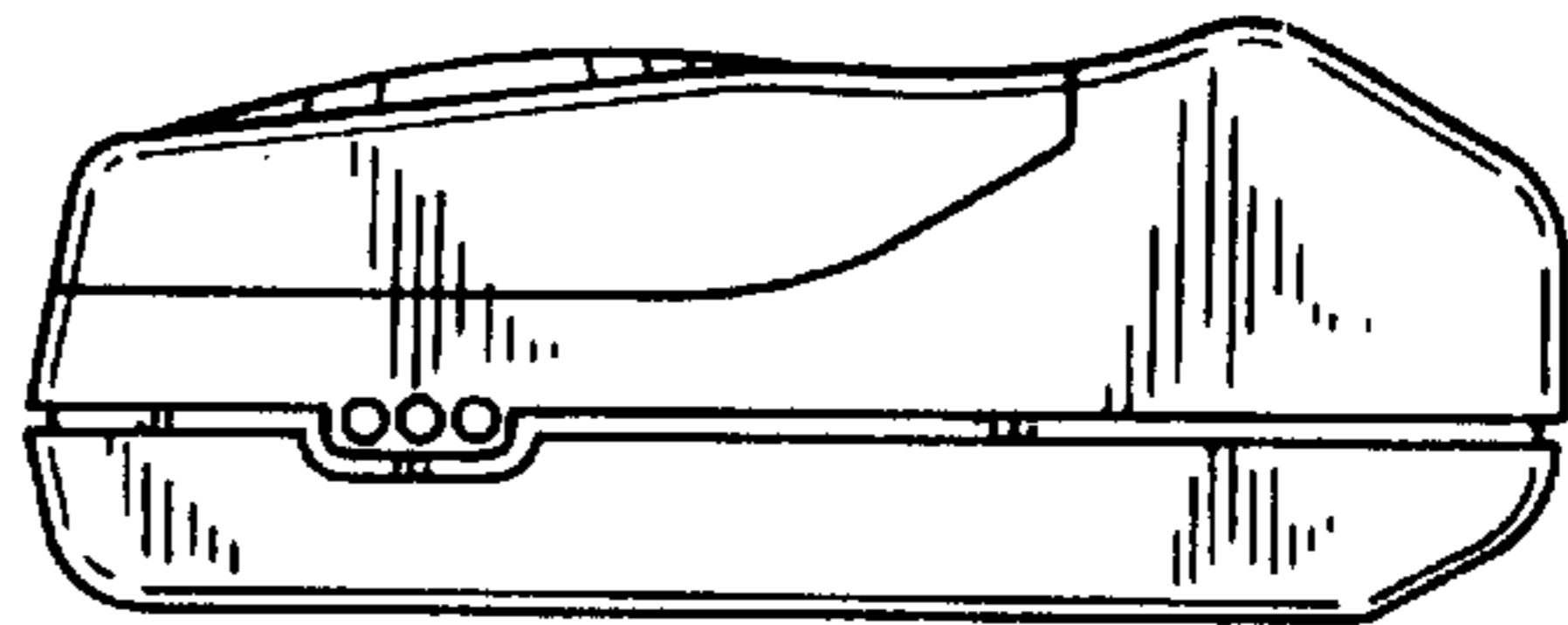


FIG. 12

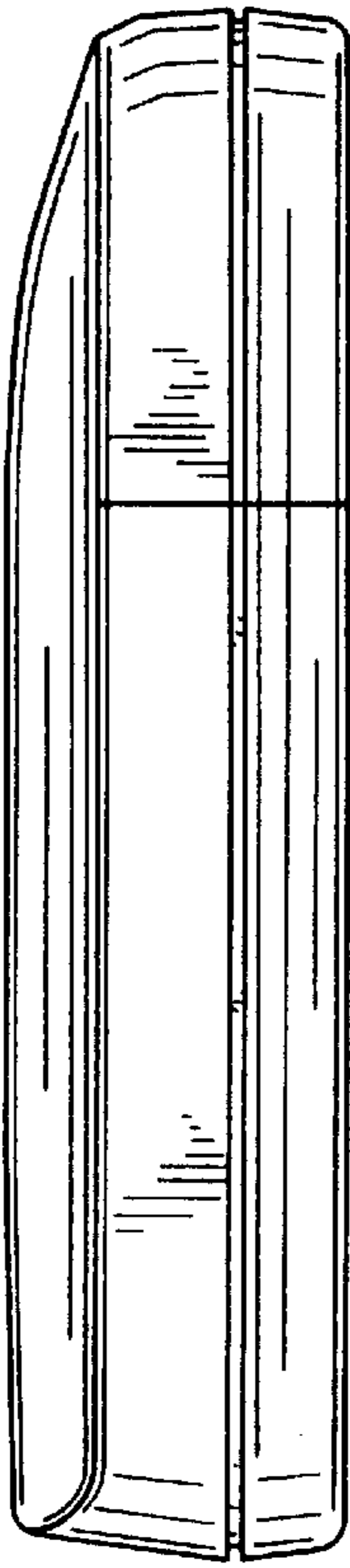


FIG. 13

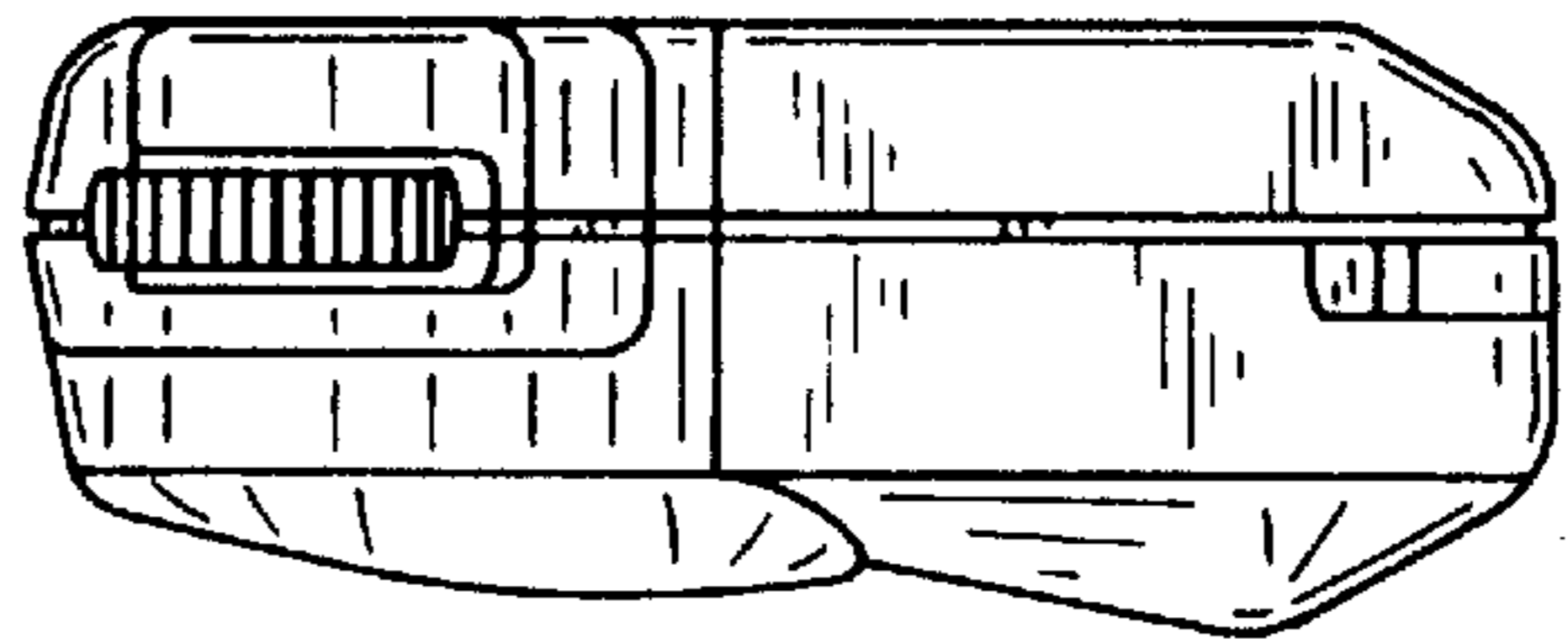


FIG. 14

