



US00D401237S

United States Patent [19]
Kirk, III

[11] **Patent Number: Des. 401,237**

[45] **Date of Patent: **Nov. 17, 1998**

[54] **COMBINED PORTABLE RADIO AND
COMPACT DISC PLAYER**

D. 374,771 10/1996 Guegan et al. D3/294 X
3,086,297 4/1963 Kantrowitz D14/168 X
5,114,007 5/1992 Chen 206/373

[75] Inventor: **Karl Dallas Kirk, III**, New York, N.Y.

[73] Assignee: **Kash 'N Gold, Ltd.**, Ronkonkoma,
N.Y.

Primary Examiner—Ted Shooman
Assistant Examiner—Nanda Bondade
Attorney, Agent, or Firm—Cooper & Dunham LLP

[**] Term: **14 Years**

[57] **CLAIM**

[21] Appl. No.: **86,494**

The ornamental design for a combined portable radio and compact disc player, as shown and described.

[22] Filed: **Apr. 14, 1998**

DESCRIPTION

[51] **LOC (6) Cl.** **14-01**

[52] **U.S. Cl.** **D14/168; D14/189**

[58] **Field of Search** D3/274, 276, 281,
D3/291, 294, 905; D14/124, 168, 156,
188-189, 192-198; 206/372, 373; 455/344,
347-351

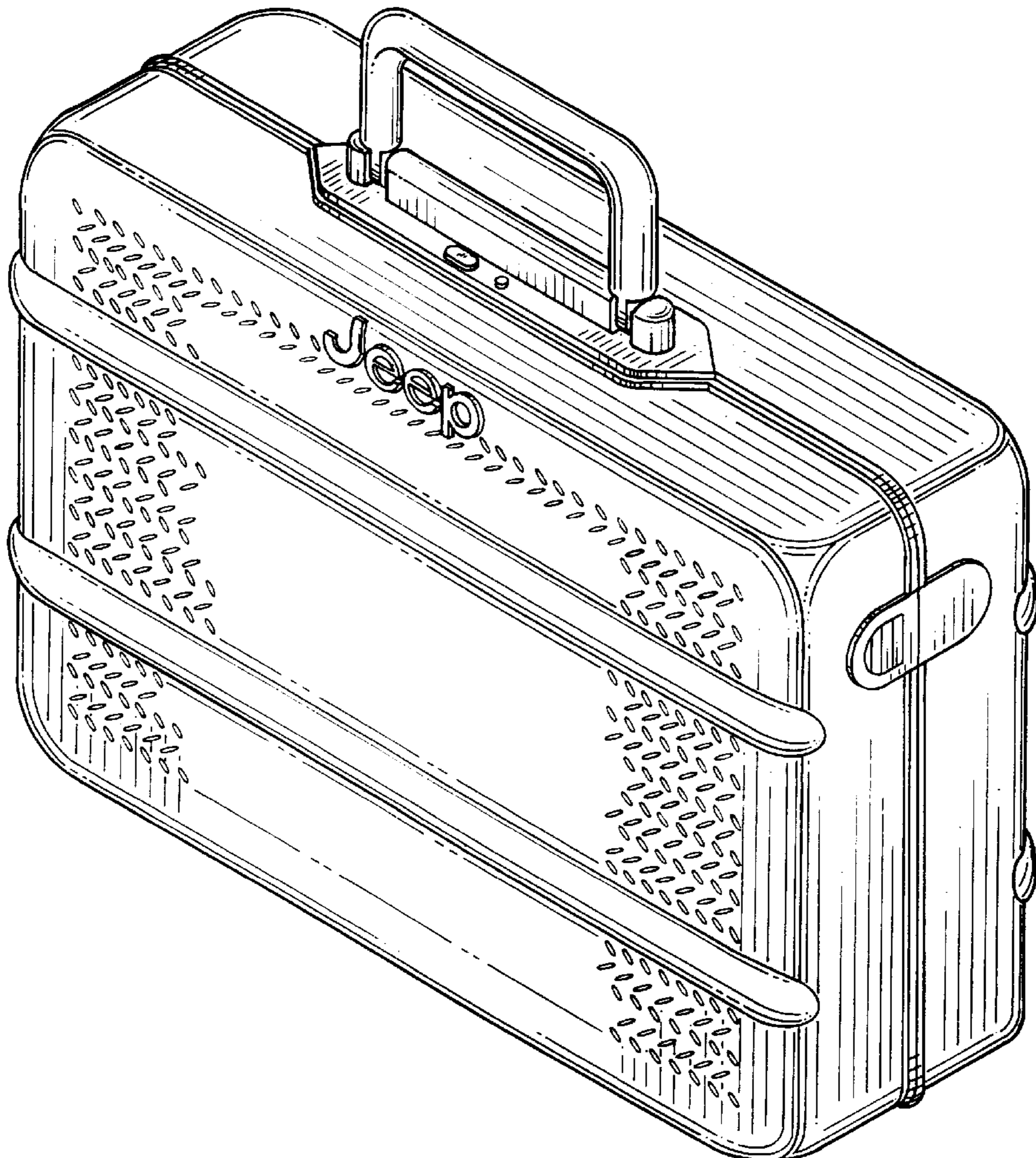
FIG. 1 is a perspective view of a combined portable radio and compact disc player showing my new design; FIG. 2 is a front elevational view thereof; FIG. 3 is a rear elevational view thereof; FIG. 4 is a right side elevational view thereof; FIG. 5 is a left side elevational view thereof; FIG. 6 is a top view thereof; and, FIG. 7 is a bottom view thereof.

[56] **References Cited**

U.S. PATENT DOCUMENTS

D. 370,685 6/1996 Kirk, III et al. D14/168

1 Claim, 5 Drawing Sheets



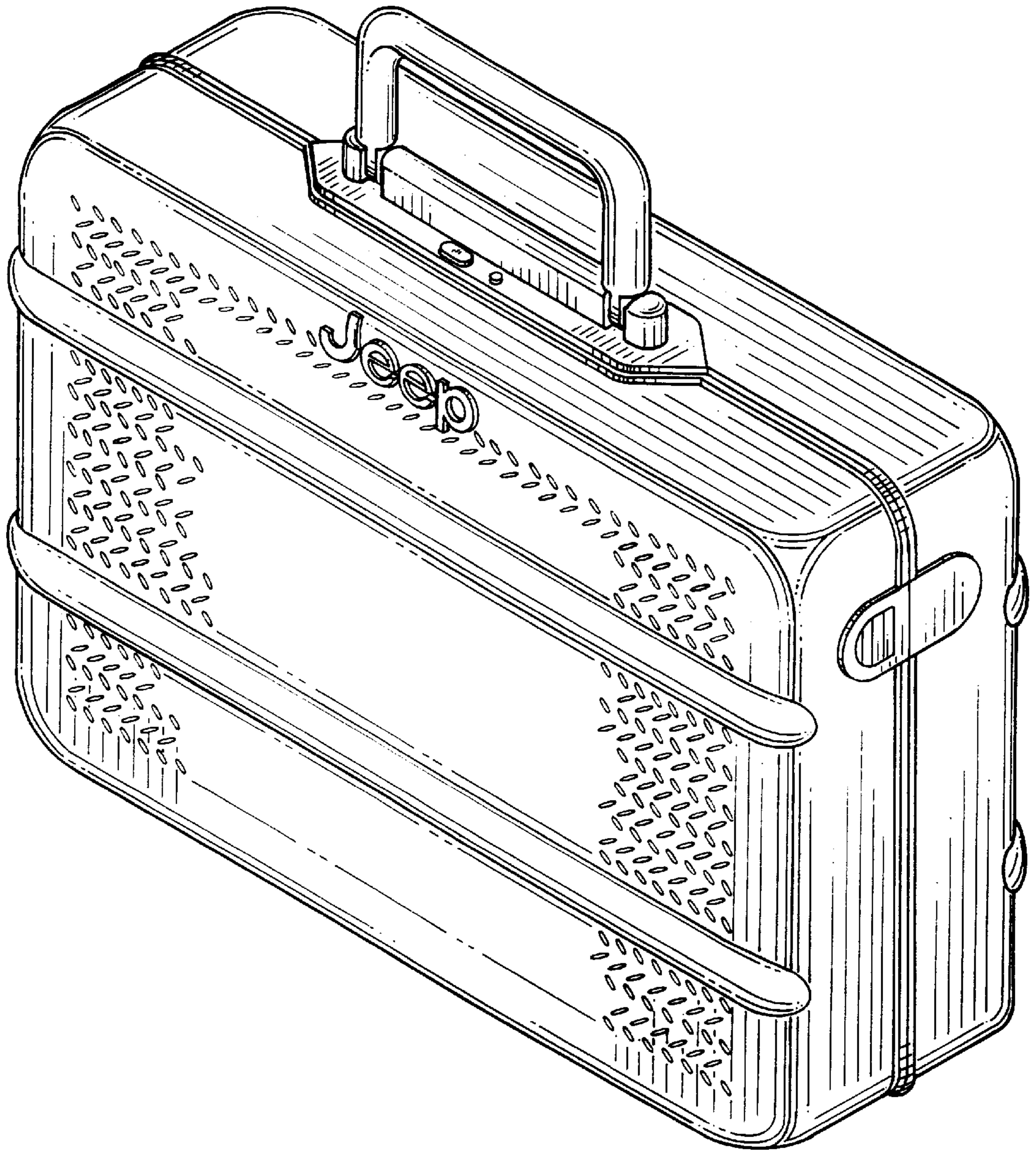


FIG. 1



FIG. 2

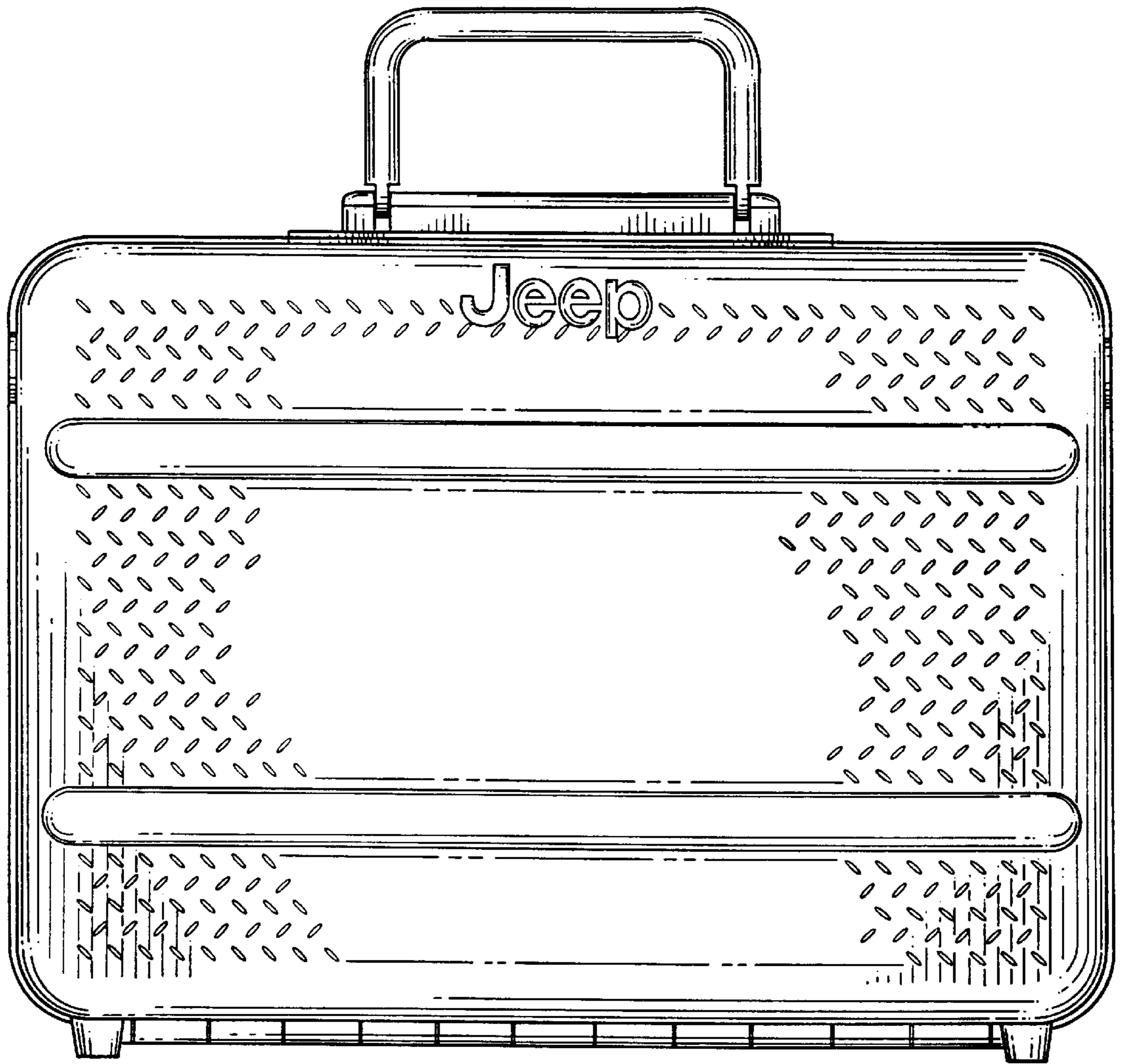


FIG. 3

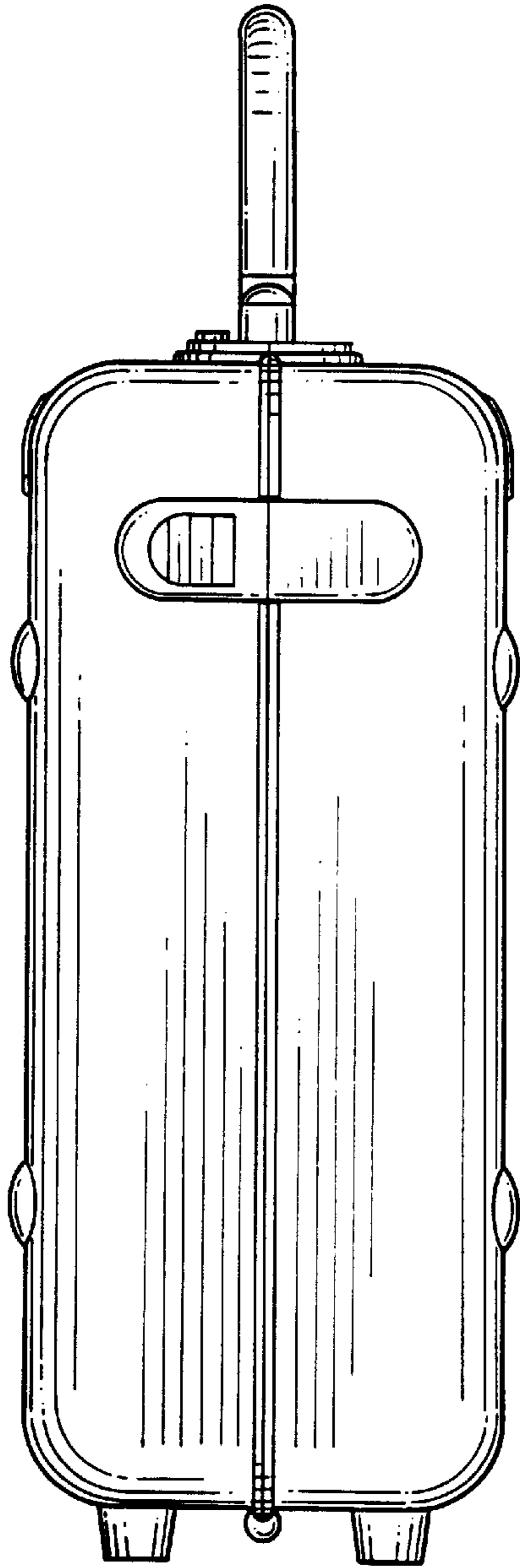


FIG. 4

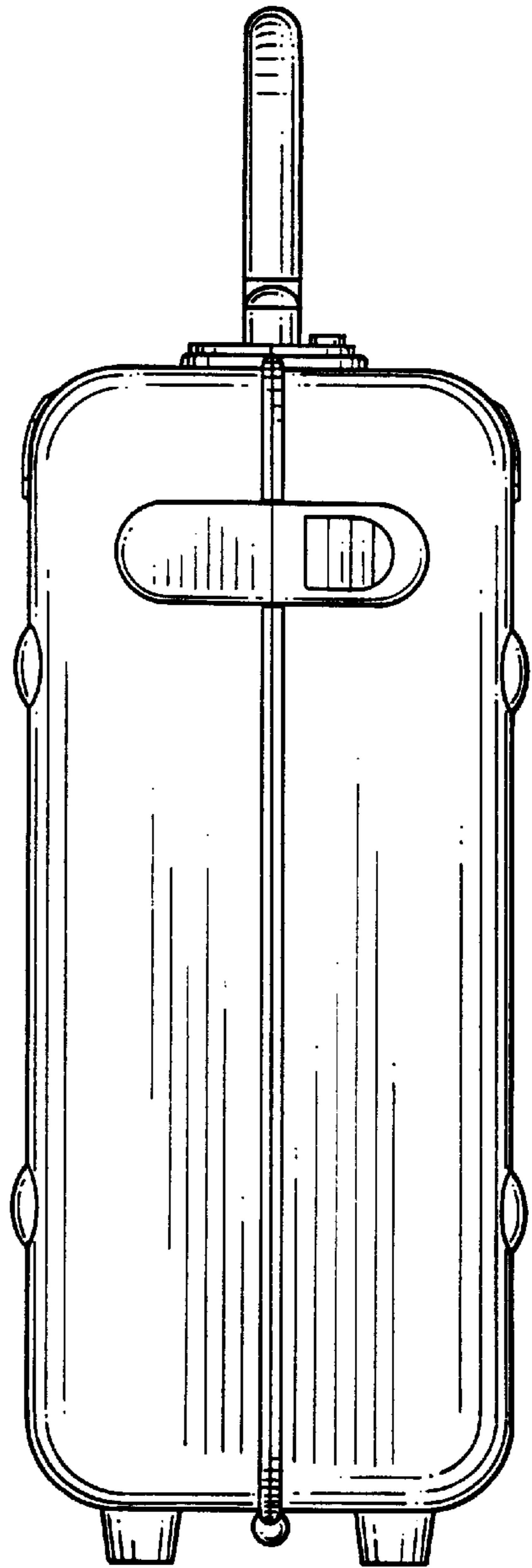


FIG. 5

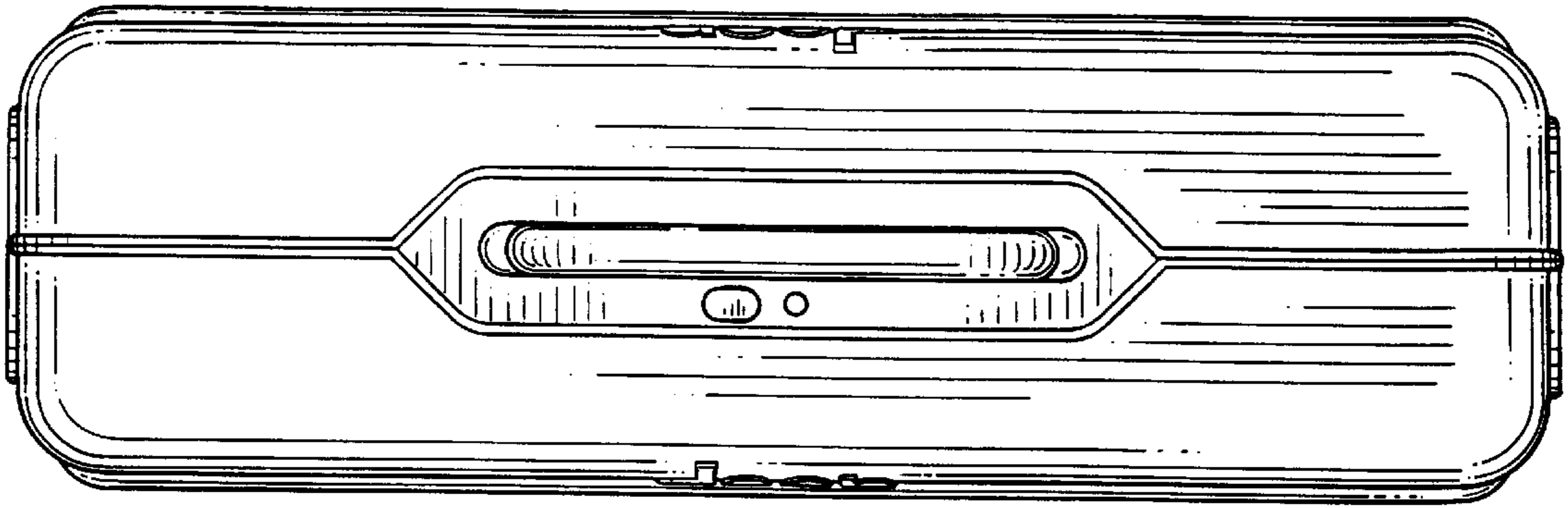


FIG. 6

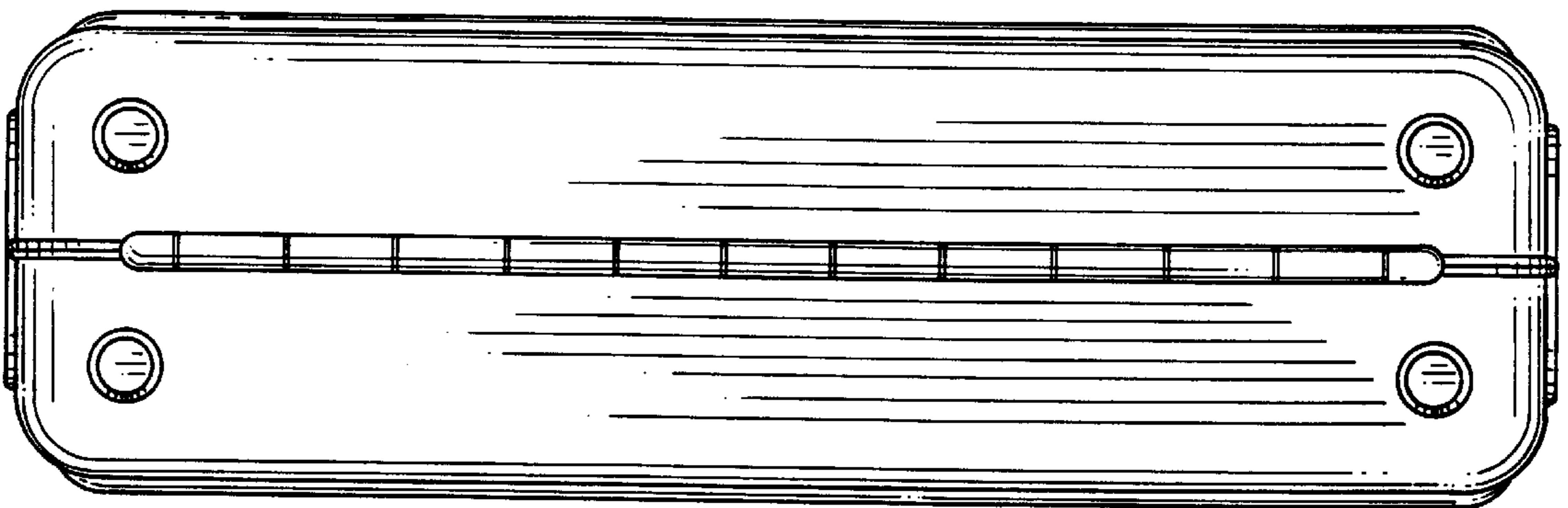


FIG. 7