



US00D401227S

United States Patent [19] Catta

[11] **Patent Number: Des. 401,227**

[45] **Date of Patent: **Nov. 17, 1998**

[54] **CONSOLE STRUCTURE**

[75] Inventor: **David Catta**, Calgary, Canada

[73] Assignee: **Evans Consoles, Inc.**, Canada

[**] Term: **14 Years**

[21] Appl. No.: **53,837**

[22] Filed: **Apr. 26, 1996**

[51] **LOC (6) Cl.** **14-02**

[52] **U.S. Cl.** **D14/103**

[58] **Field of Search** D14/103, 102,
D14/104, 127, 113; D6/421, 423, 425, 426,
428; 312/208.1, 223.2, 223.3, 194, 198;
248/918

[56] **References Cited**

U.S. PATENT DOCUMENTS

| | | | |
|------------|---------|------------------------|-----------|
| D. 237,976 | 12/1975 | Wolfe et al. | D14/103 |
| D. 284,194 | 6/1986 | Golden et al. | D14/103 |
| D. 297,236 | 8/1988 | Tiffin | D14/103 X |
| D. 330,544 | 10/1992 | Kane | D14/103 |
| D. 336,896 | 6/1993 | Carter | D14/103 X |
| 4,113,331 | 9/1978 | Derdzinski et al. | D14/104 X |

OTHER PUBLICATIONS

The Foxboro Company, pre-1989.
Evans Consoles, Dec. 1994, Single High End Cable View.

Primary Examiner—Freda Nunn
Attorney, Agent, or Firm—Saidman DesignLaw Group

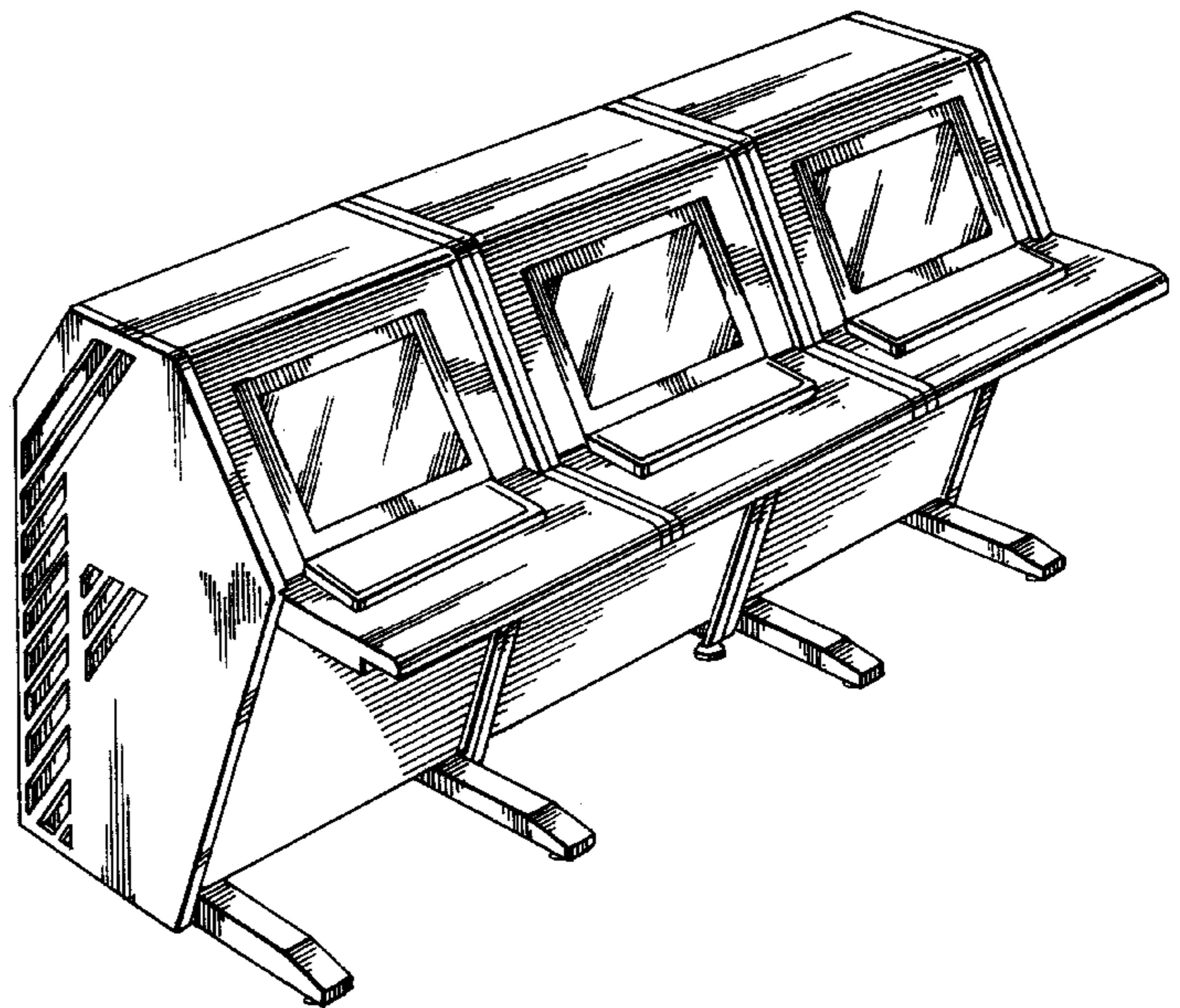
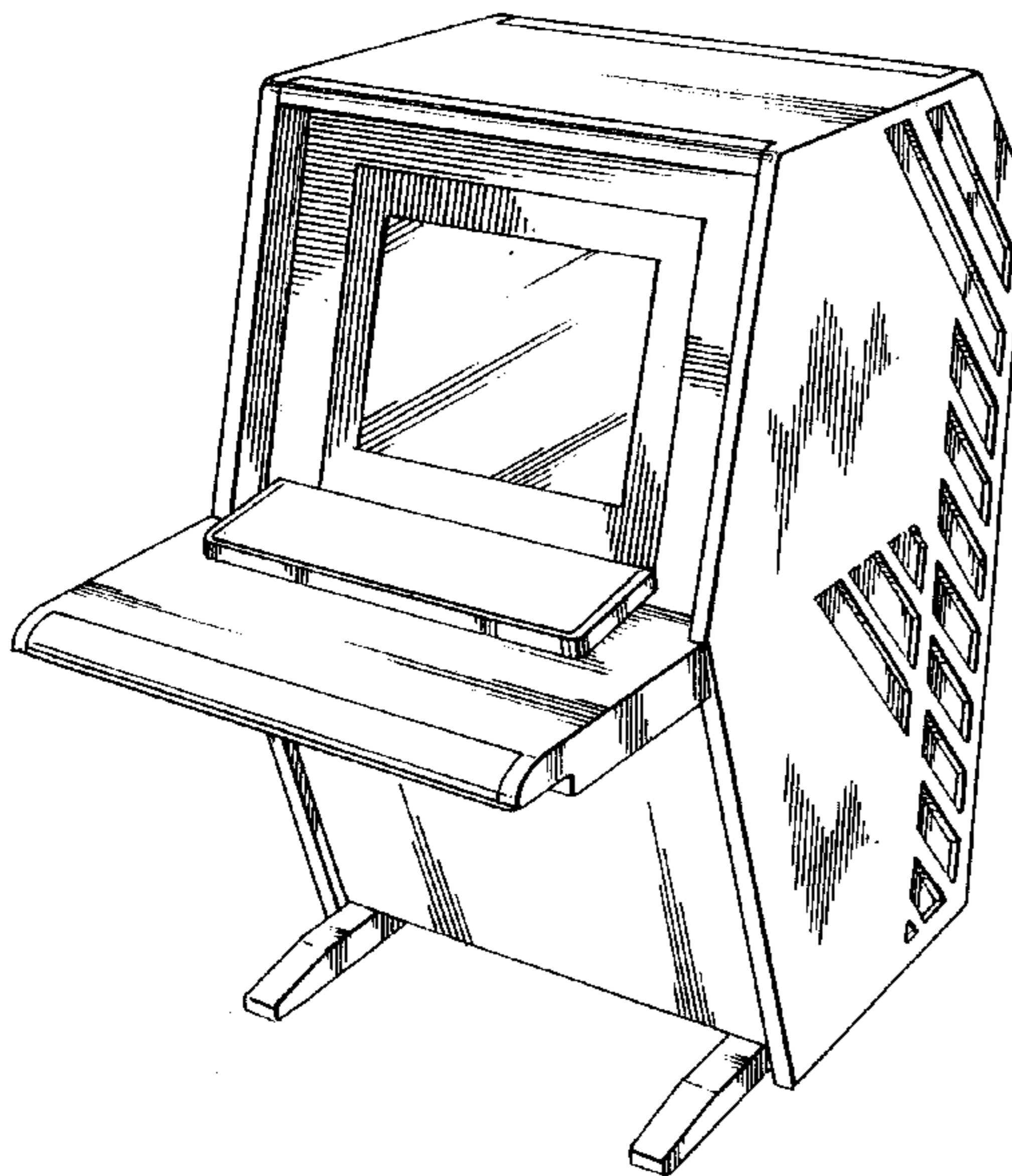
[57] **CLAIM**

The ornamental design for console structure, as shown and described.

DESCRIPTION

FIG. 1 is a front perspective view of console structure showing my new design;
FIG. 2 is a front elevational view thereof;
FIG. 3 is a rear elevational view thereof;
FIG. 4 is a side elevational view thereof;
FIG. 5 is the opposite side elevational view thereof;
FIG. 6 is a top plan view thereof;
FIG. 7 is a bottom plan view thereof;
FIG. 8 is a front perspective view of a plurality of the said console arranged in a straight row;
FIG. 9 is a rear perspective view of the console of FIG. 1; and,
FIG. 10 is a rear perspective view of the consoles of FIG. 8.

1 Claim, 6 Drawing Sheets



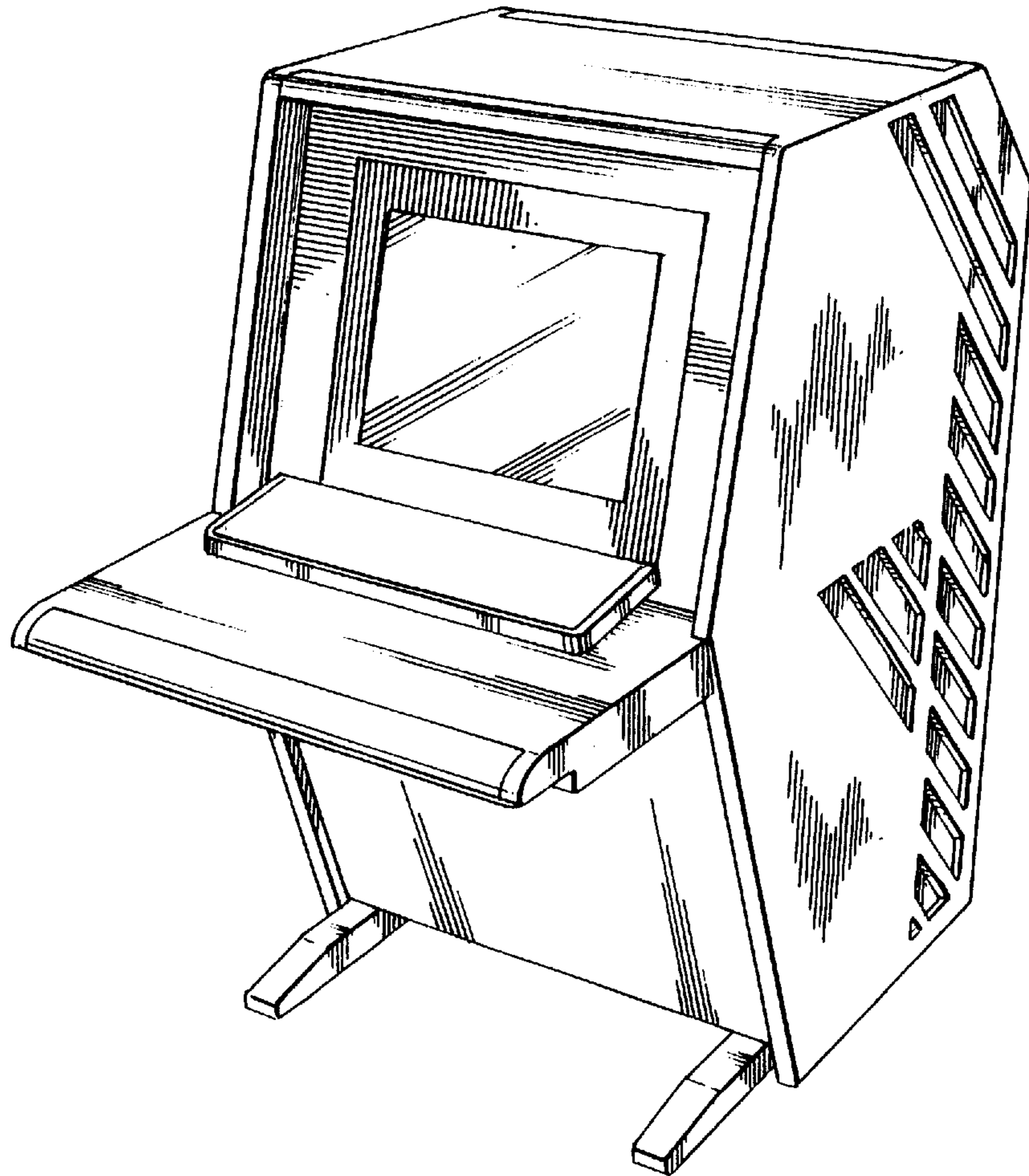


FIG. 1

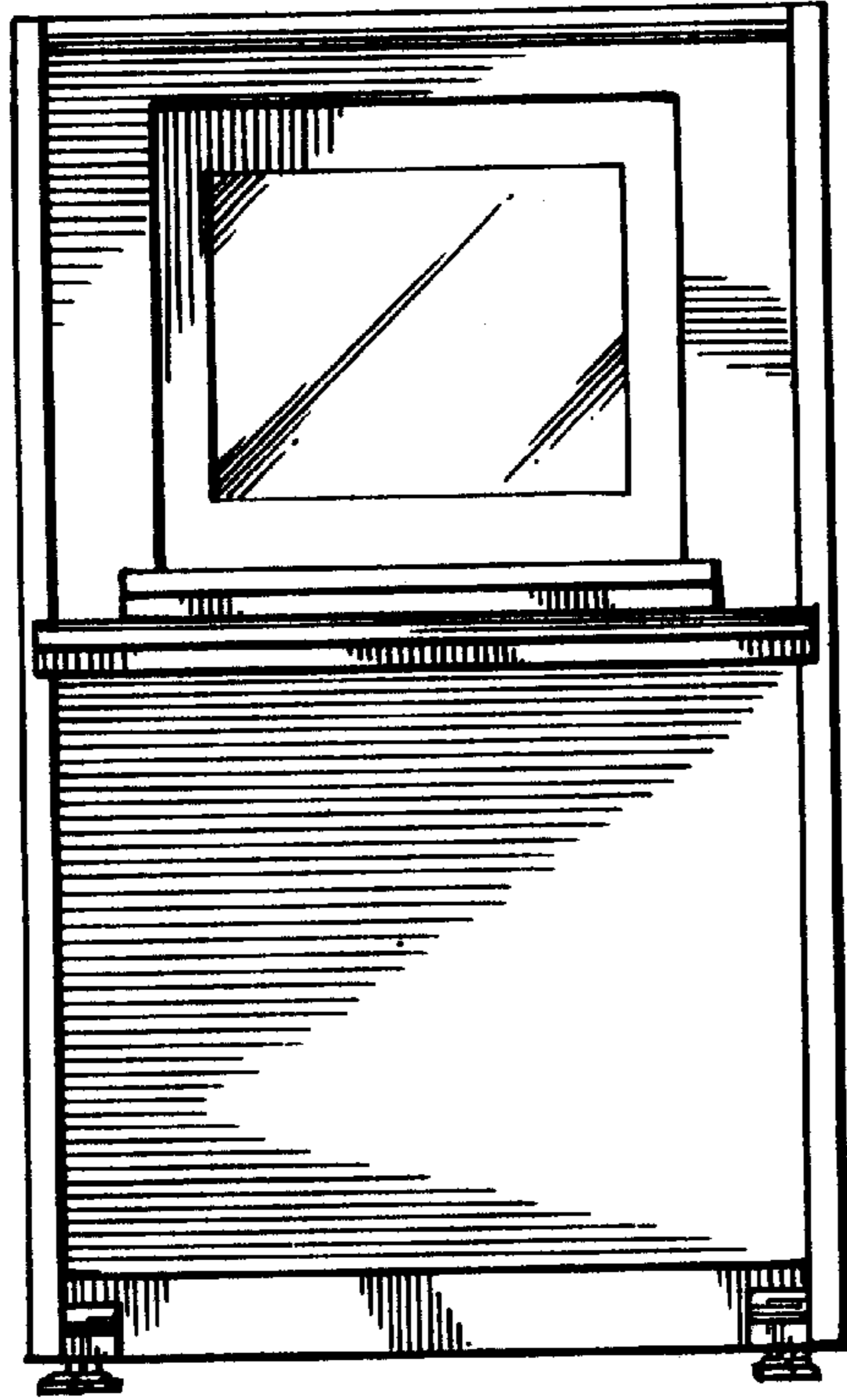


FIG. 2

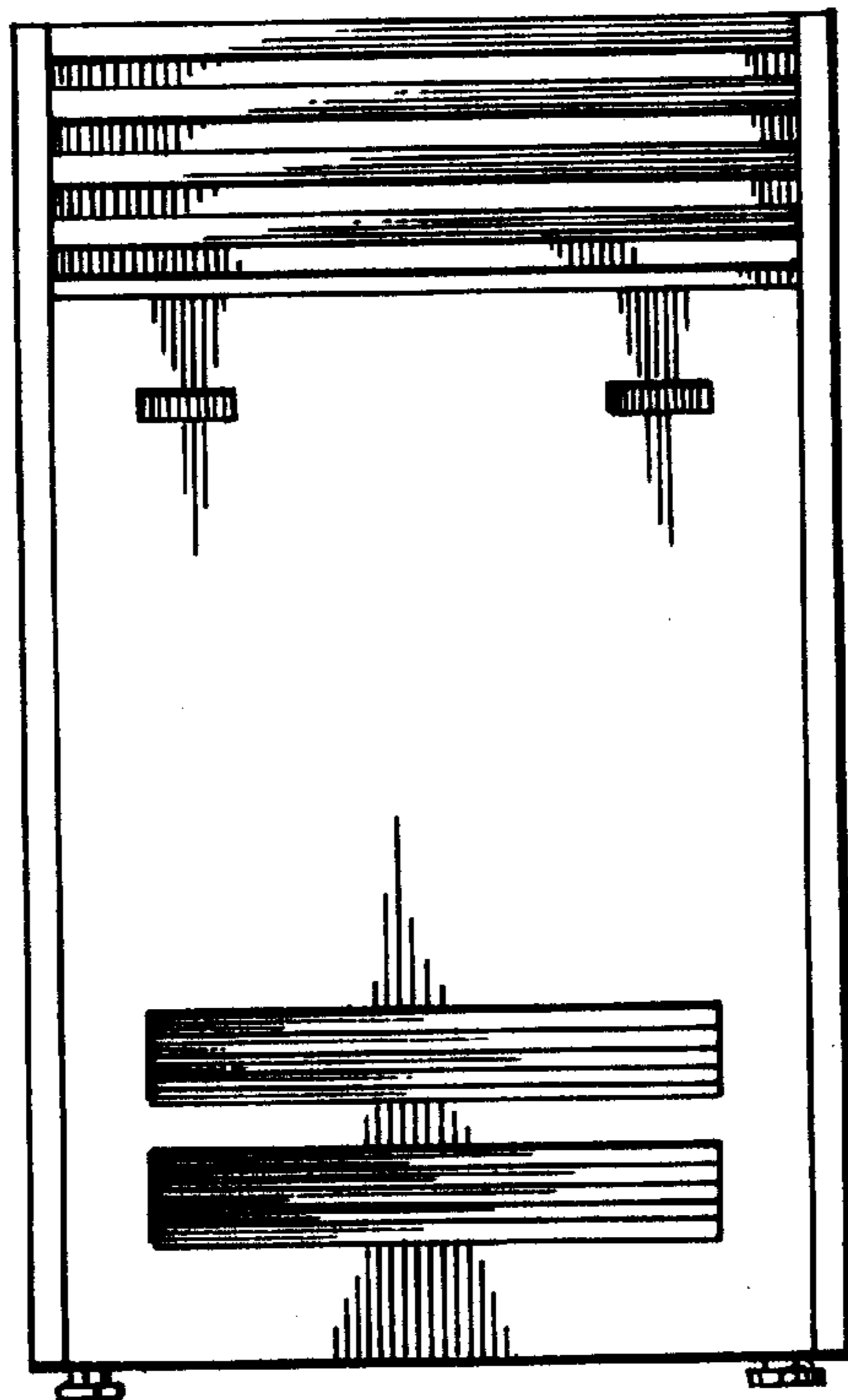


FIG. 3

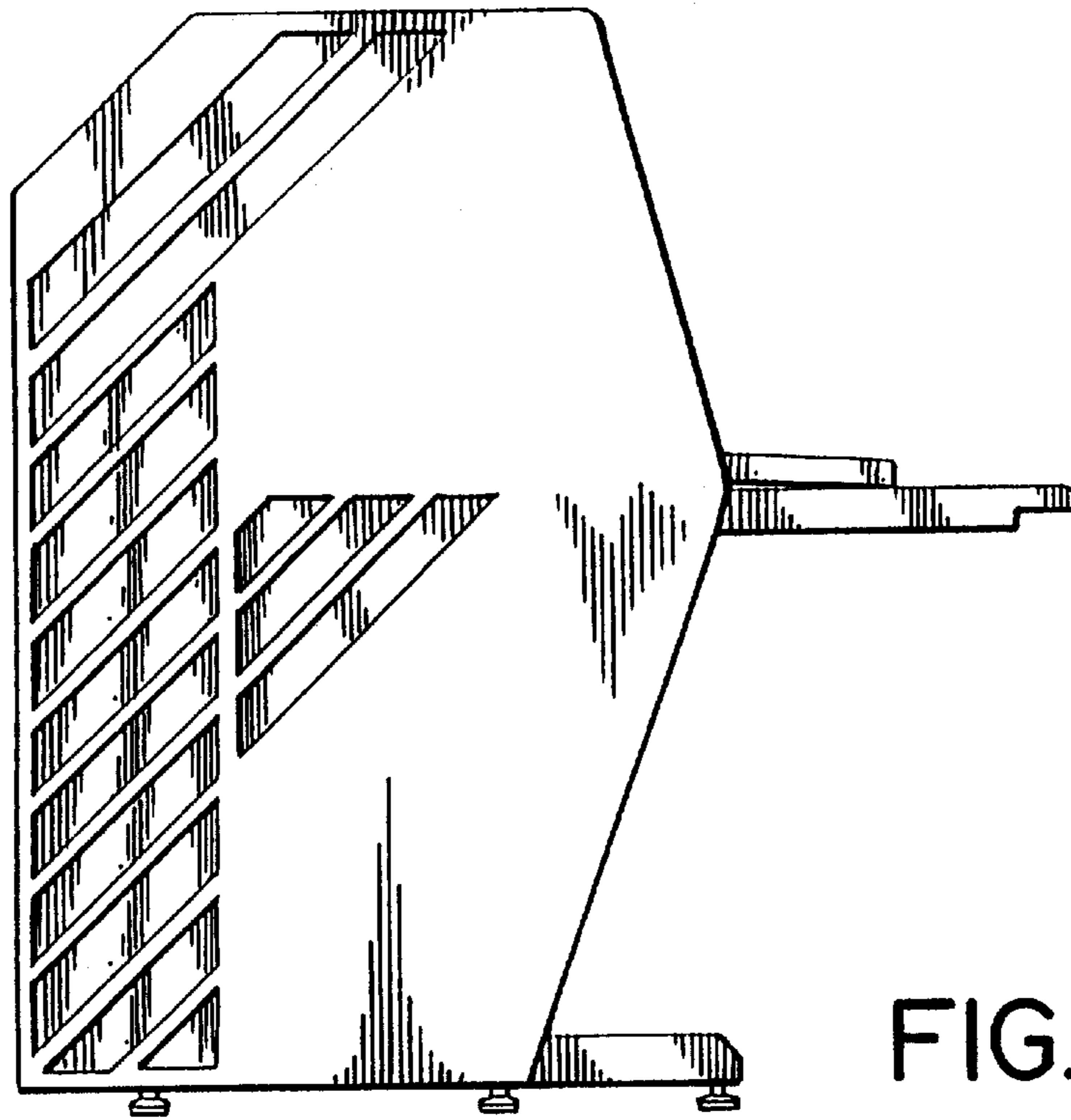


FIG. 4

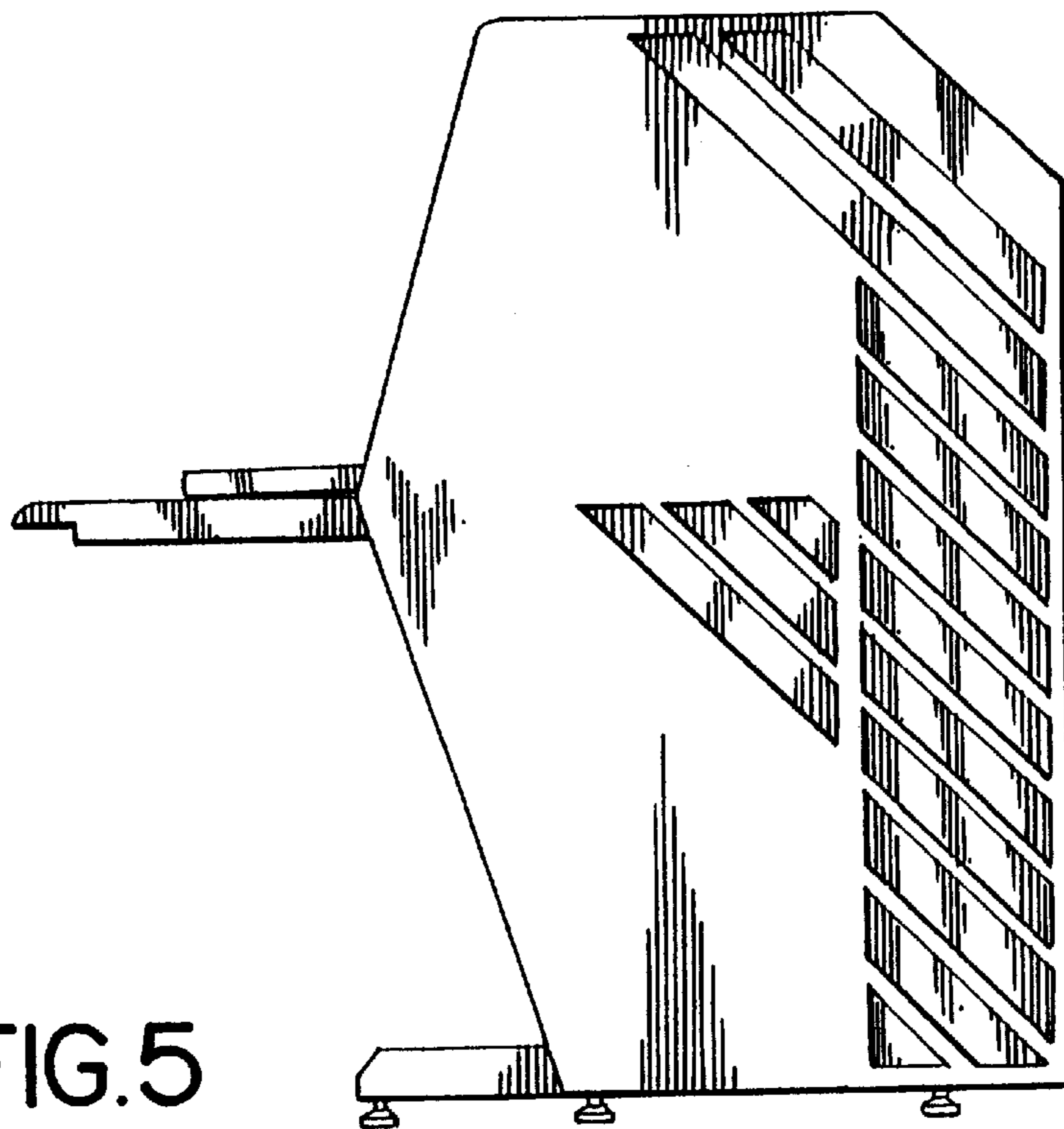


FIG. 5

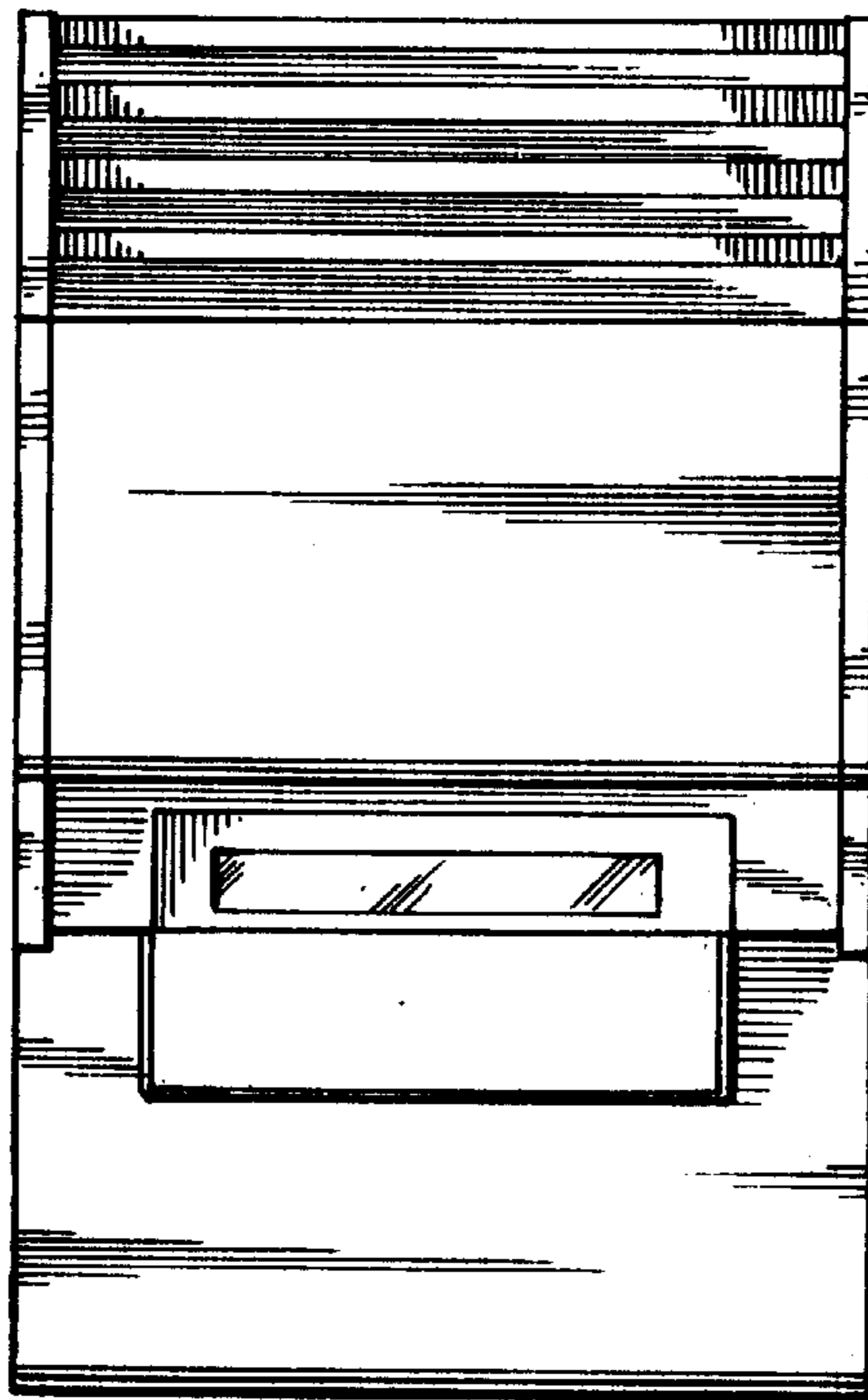


FIG. 6

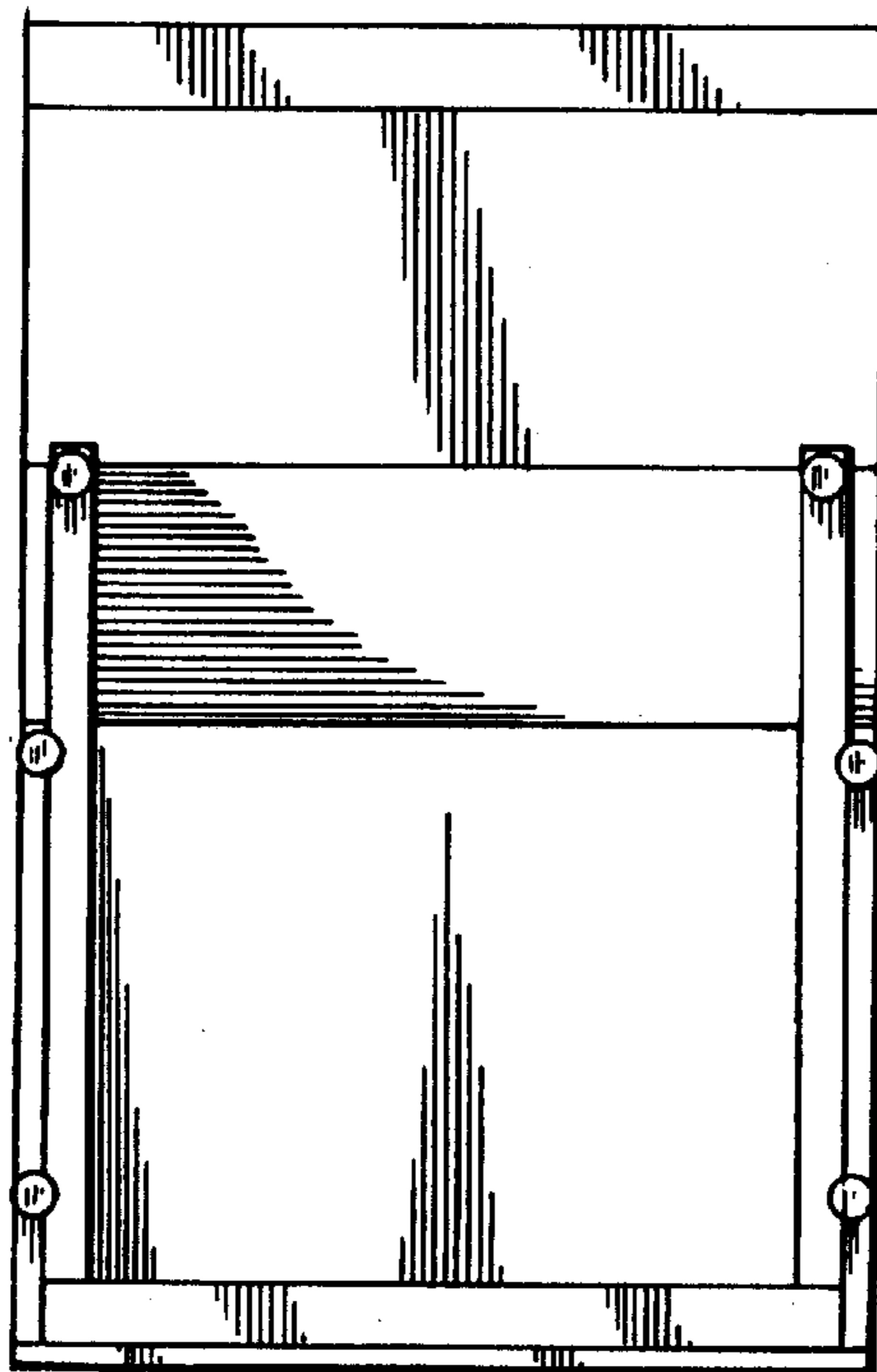


FIG. 7

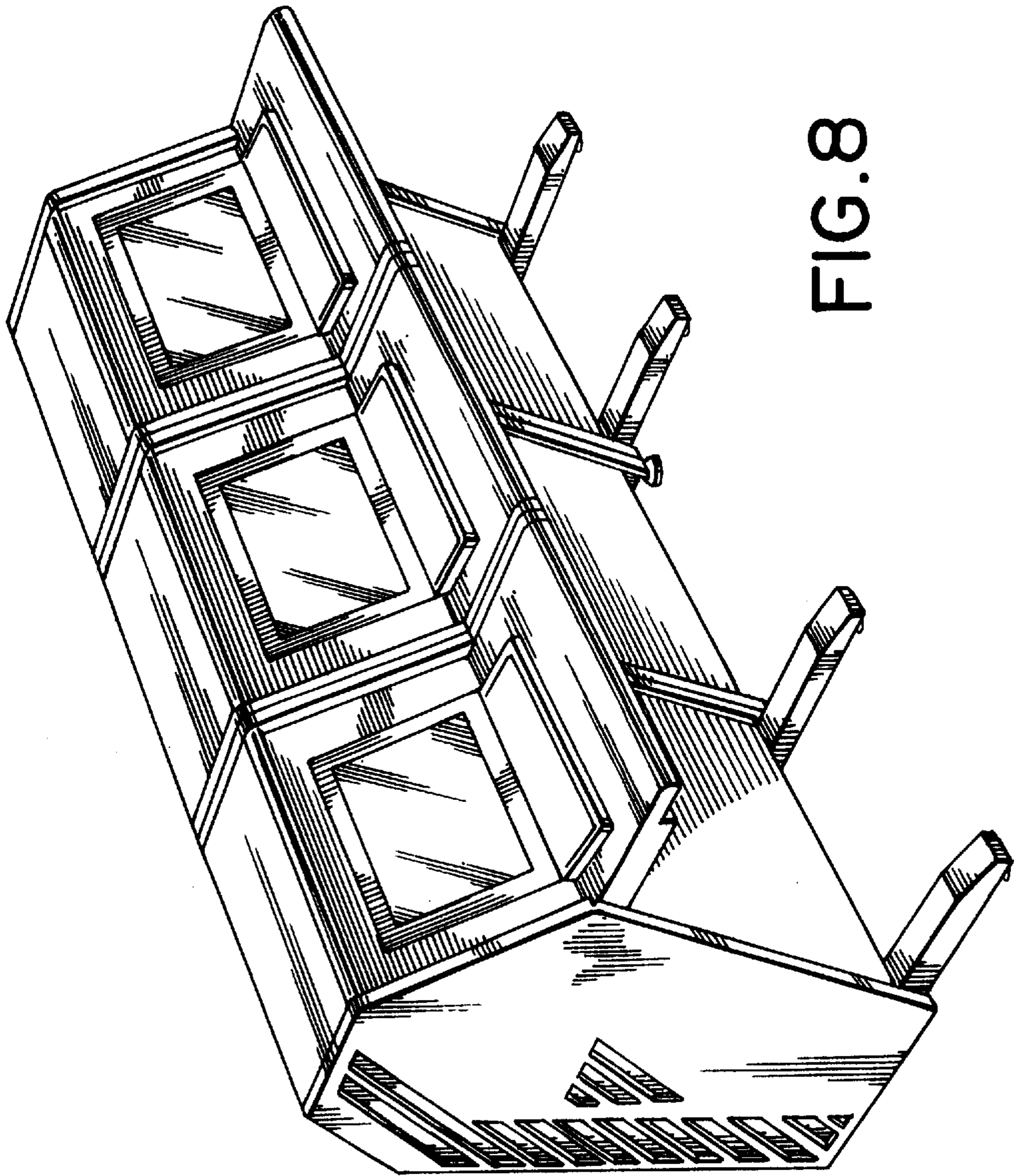


FIG. 8

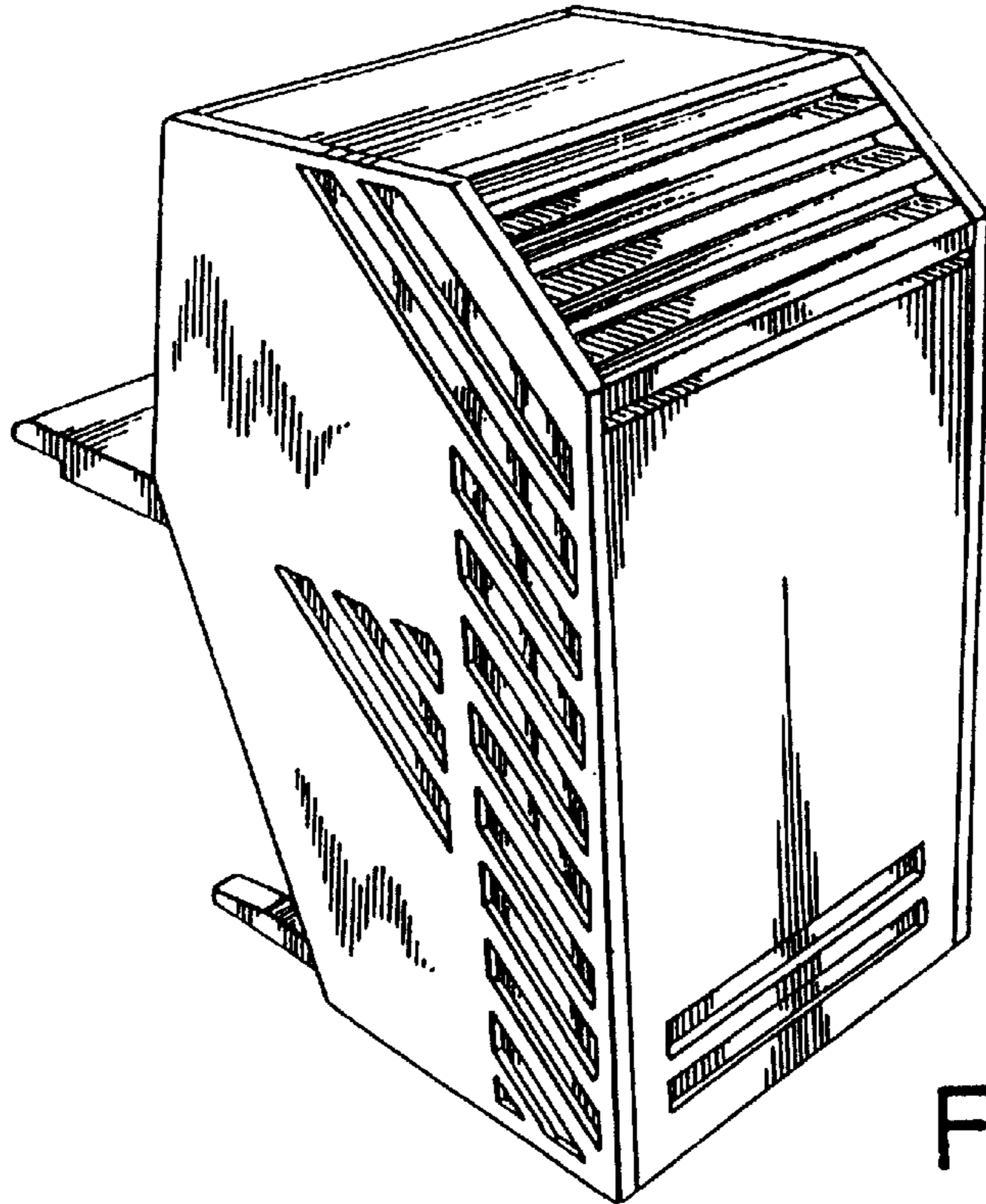


FIG. 9

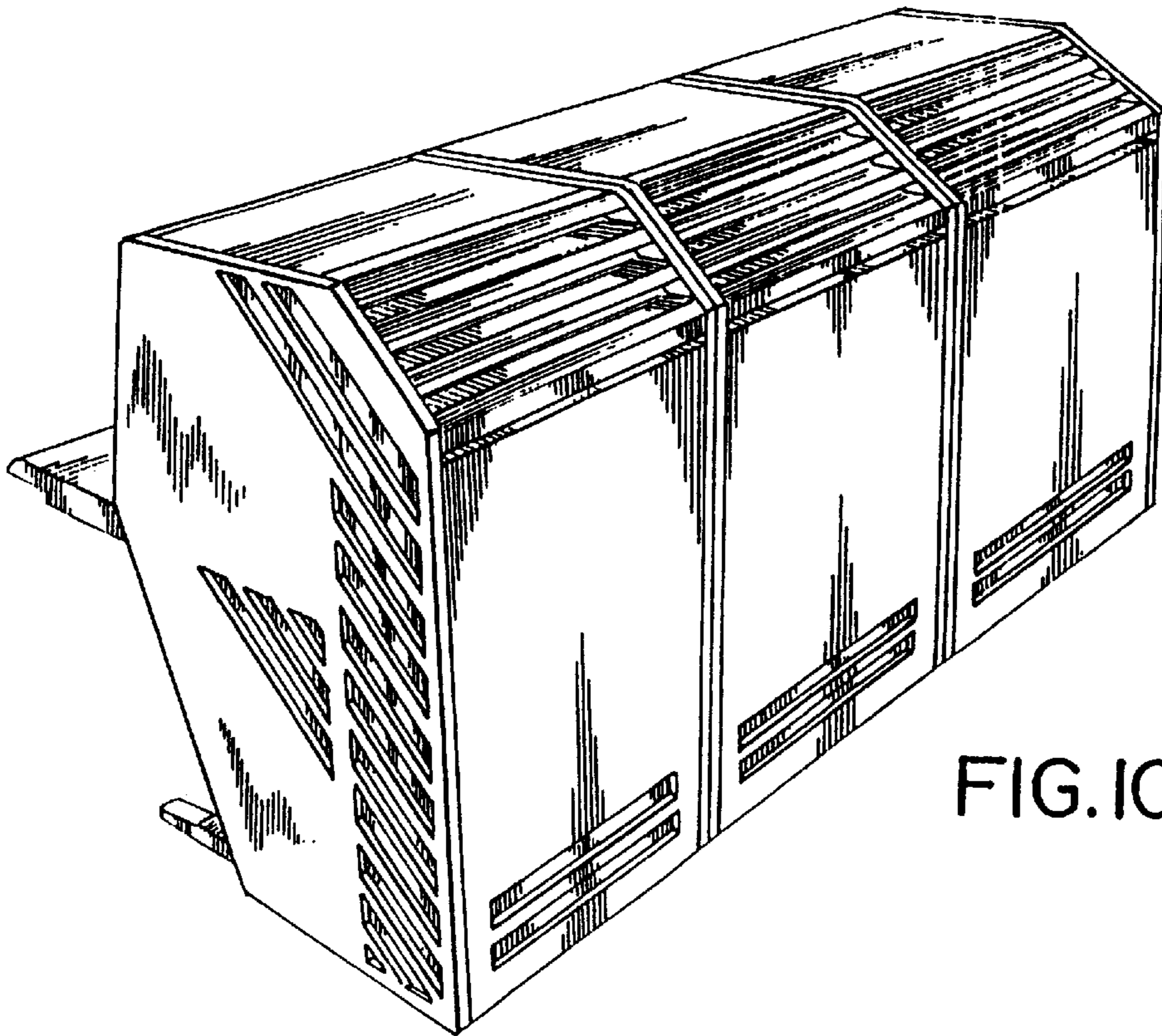


FIG. 10