



US00D401225S

United States Patent [19]

[11] **Patent Number: Des. 401,225**

Maack et al.

[45] **Date of Patent: **Nov. 17, 1998**

[54] **HEAT SINK**

[75] Inventors: **Timothy R. Maack**, Mesa, Ariz.; **J. Carroll Mays**, Woodland Hills, Calif.; **David Serpell-Morris**, Thousand Oaks, Calif.; **Bob Duane Wake**, Altadena, Calif.

[73] Assignee: **Rockford Corporation**, Tempe, Ariz.

[**] Term: **14 Years**

[21] Appl. No.: **67,375**

[22] Filed: **Feb. 27, 1997**

[51] **LOC (6) Cl. 13-03**

[52] **U.S. Cl. D13/179**

[58] **Field of Search** D13/179; 174/15.1, 174/16.3; 257/718, 719, 722, 732, 796; 165/80.2, 80.3, 185; 361/704, 709, 710, 110

[56] **References Cited**

U.S. PATENT DOCUMENTS

D. 260,513	9/1981	Comstock	D13/179	X
D. 368,253	3/1996	Graves	D13/179	
5,335,722	8/1994	Wu	165/122	
5,504,652	4/1996	Foster et al.	361/704	

Primary Examiner—James Gandy
Assistant Examiner—Cathron B. Matta
Attorney, Agent, or Firm—Warner Norcross & Judd

[57] **CLAIM**

The ornamental design for heat sink, as shown and described.

DESCRIPTION

FIG. 1 is a perspective view of the heat sink embodying the new design;

FIG. 2 is a top plan view thereof;

FIG. 3 is a rear elevational view thereof;

FIG. 4 is a front elevational view thereof;

FIG. 5 is a right side elevational view thereof, the left side being the mirror image thereof;

FIG. 6 is a perspective view of a second embodiment of the heat sink embodying the new design;

FIG. 7 is a top plan view thereof;

FIG. 8 is a rear elevational view thereof;

FIG. 9 is a front elevational view thereof;

FIG. 10 is a right side elevational view thereof, the left side being the mirror image thereof;

FIG. 11 is a perspective view of a third embodiment of the heat sink embodying the new design;

FIG. 12 is a top plan view thereof;

FIG. 13 is a rear elevational view thereof;

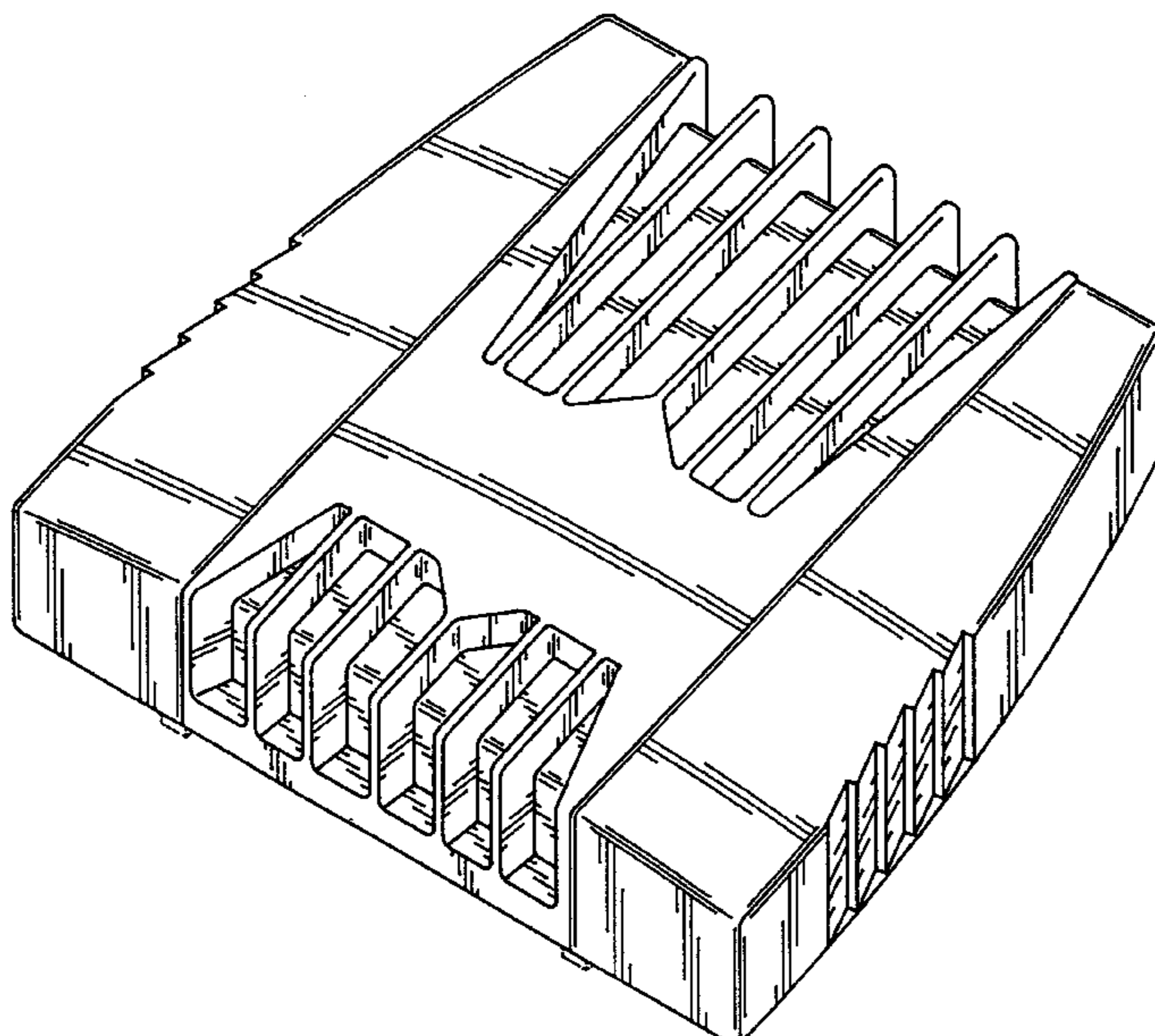
FIG. 14 is a front elevational view thereof; and,

FIG. 15 is a right side elevational view thereof, the left side being the mirror image thereof.

The bottom of the heat sink forms no part of the claimed design.

The broken line showing of supports in FIGS. 1, 4-6, 13, 16-18, 25, and 28-30 is for illustrative purposes only and forms no part of the claimed design.

1 Claim, 9 Drawing Sheets



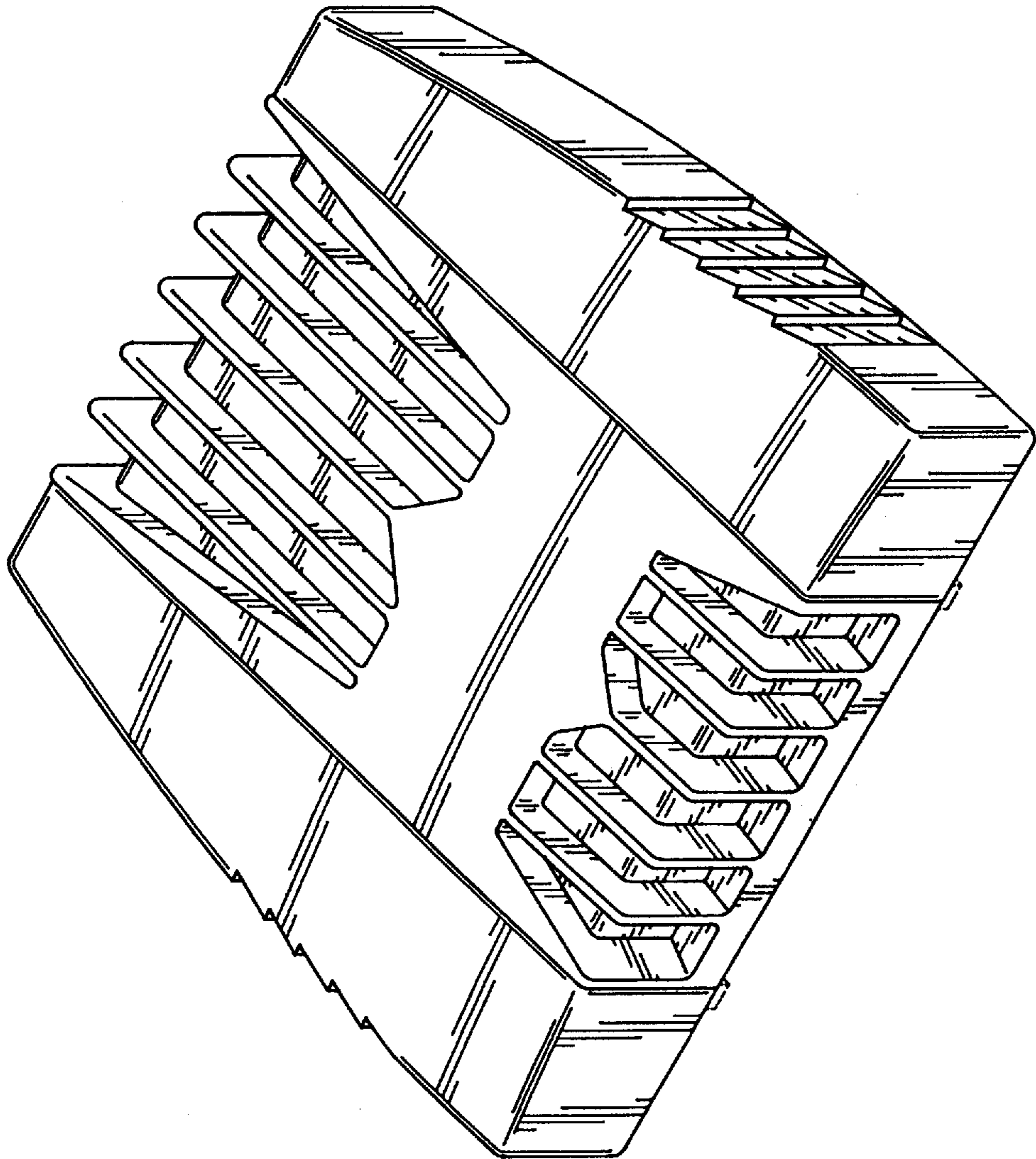


FIG. 1

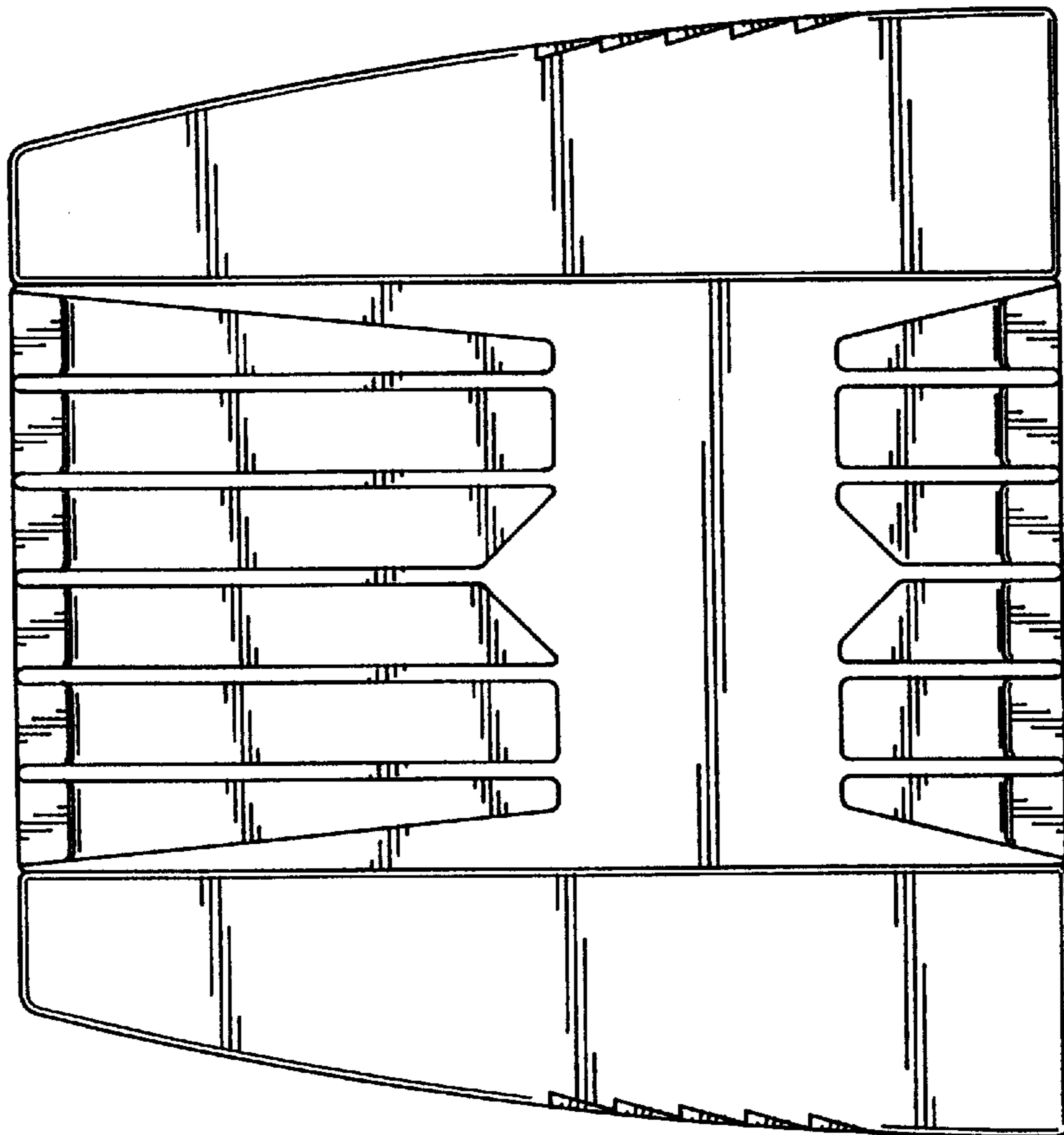


FIG. 2

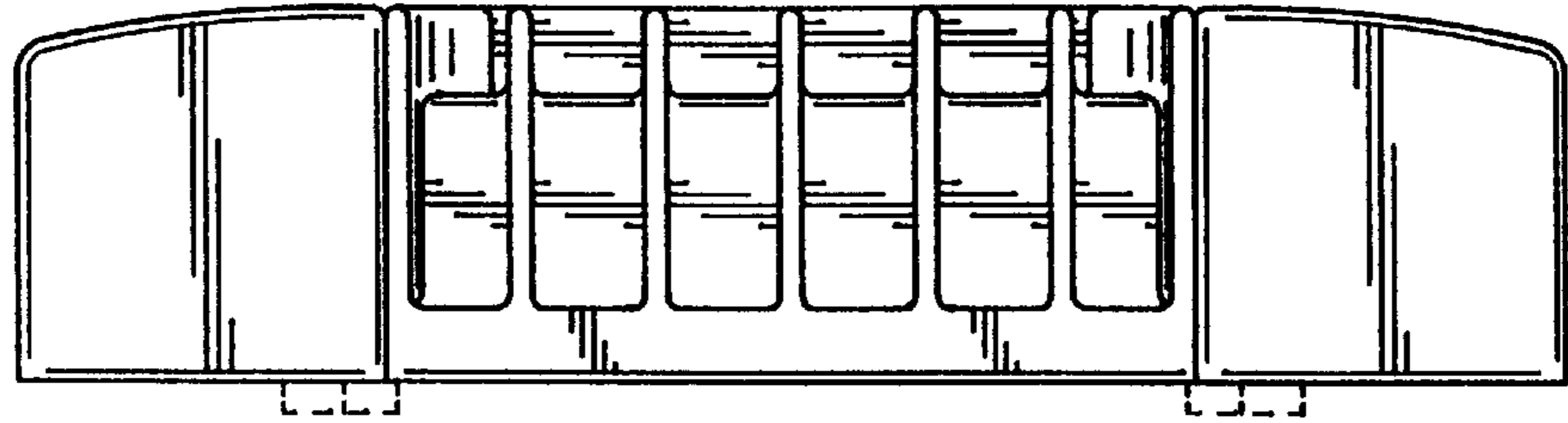


FIG. 3

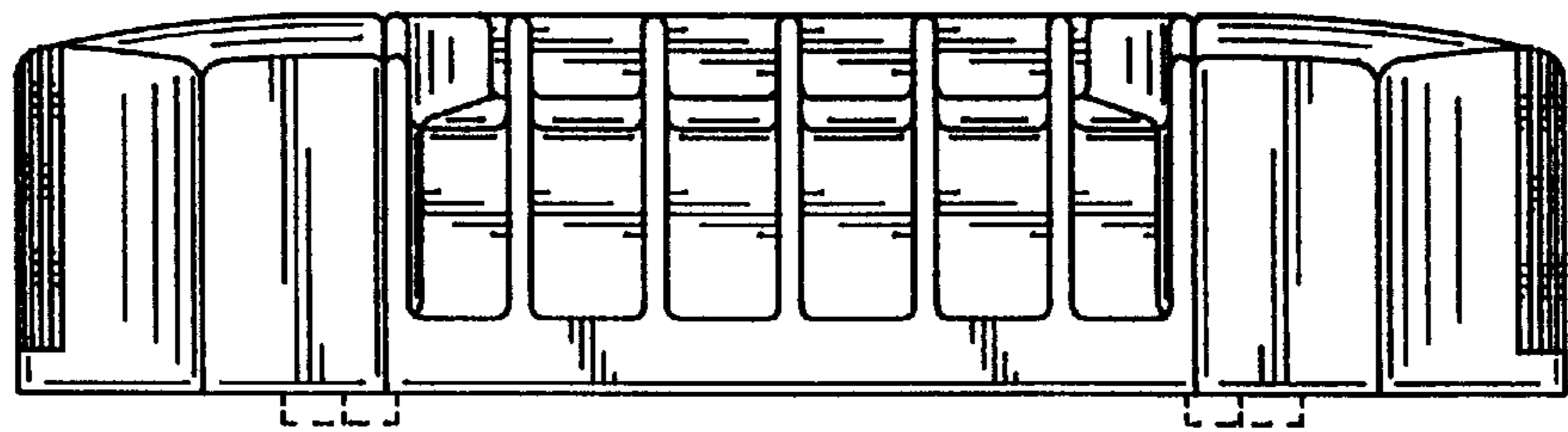


FIG. 4

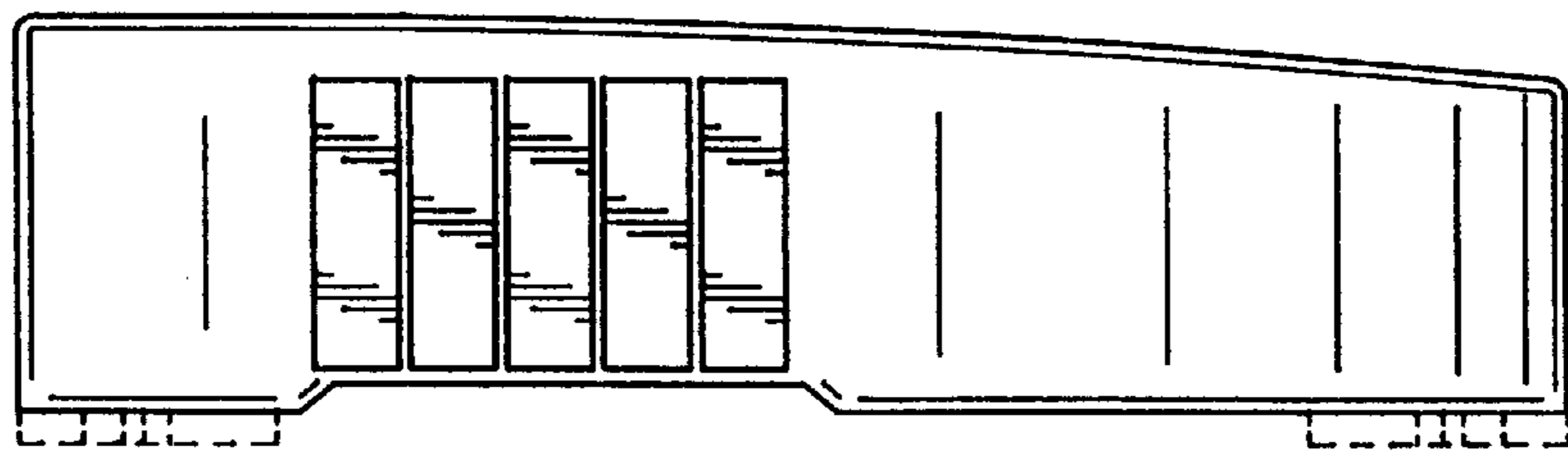


FIG. 5

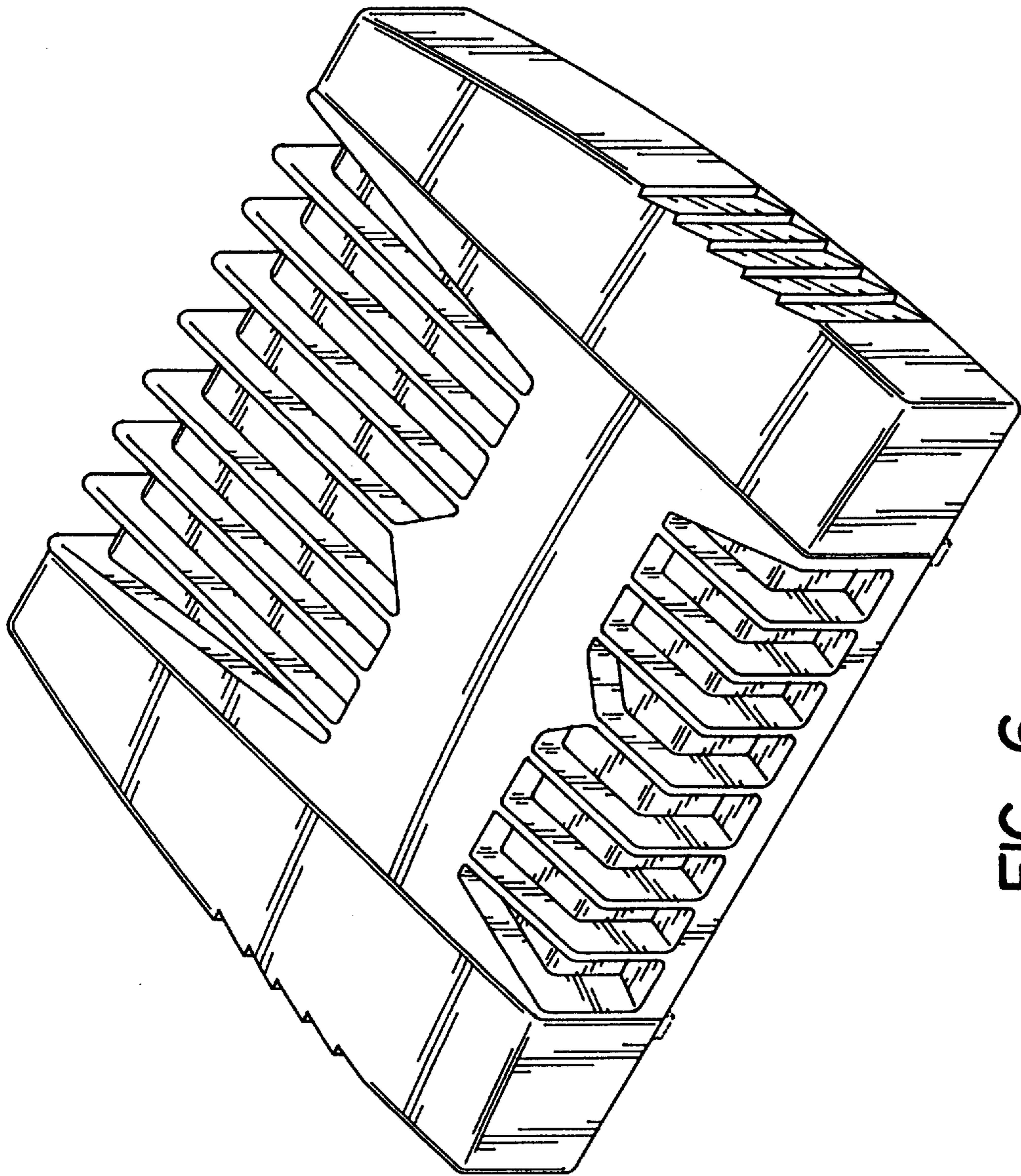


FIG. 6

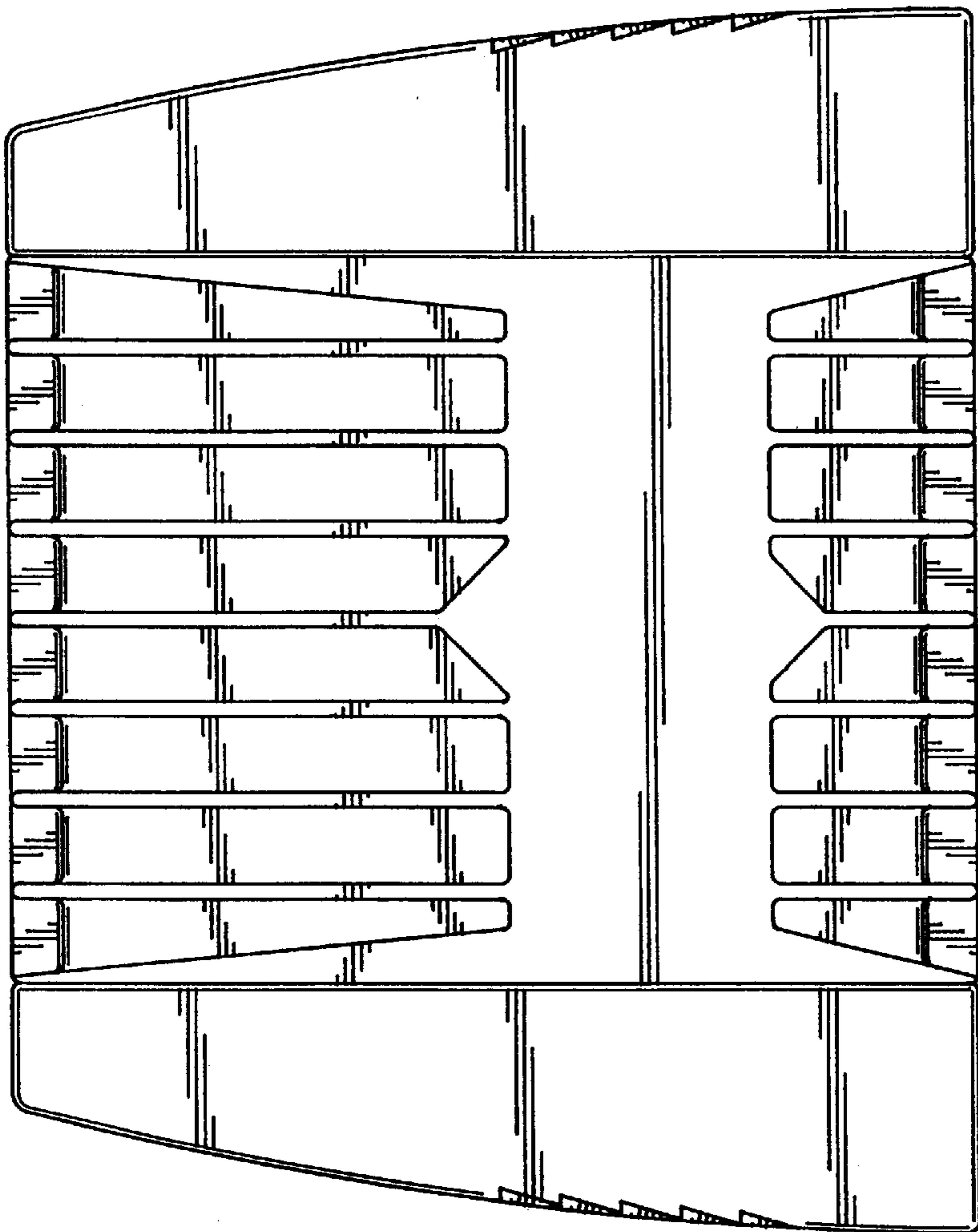


FIG. 7

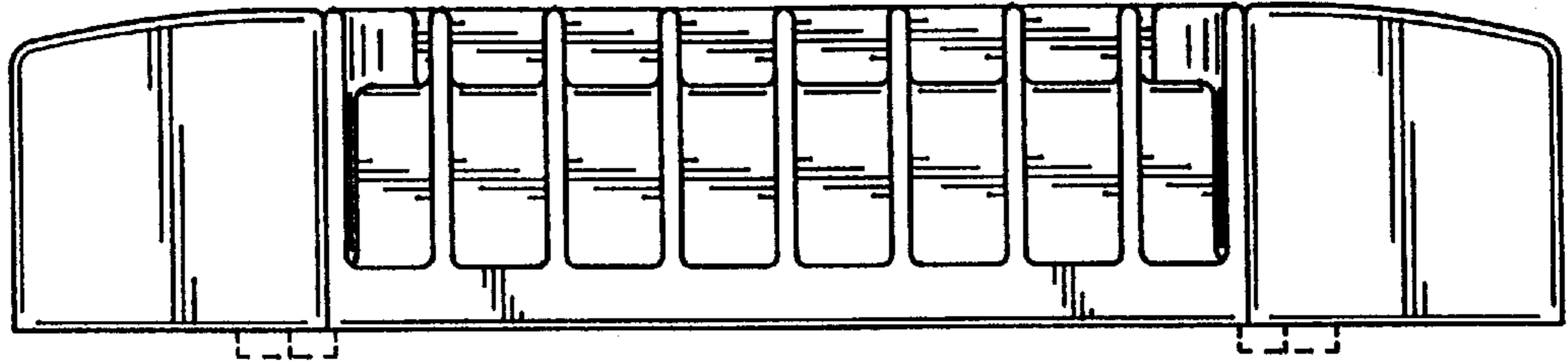


FIG. 8

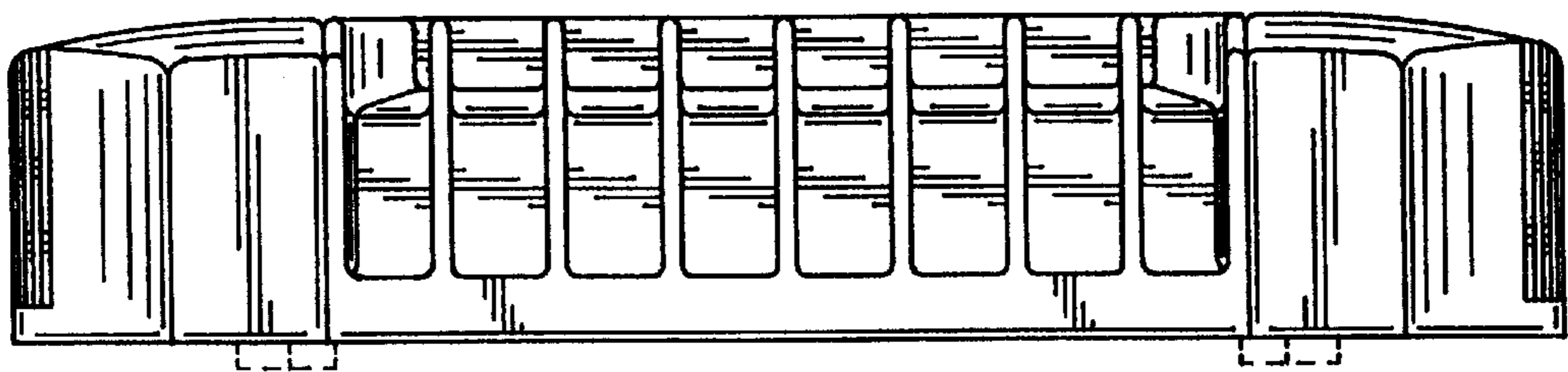


FIG. 9

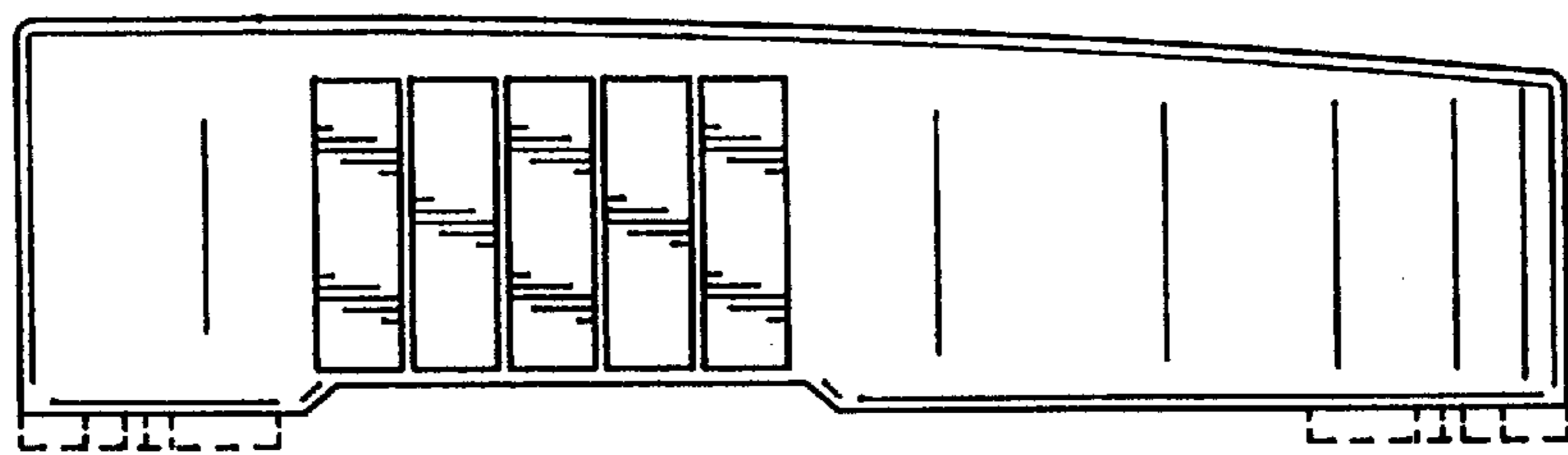


FIG. 10

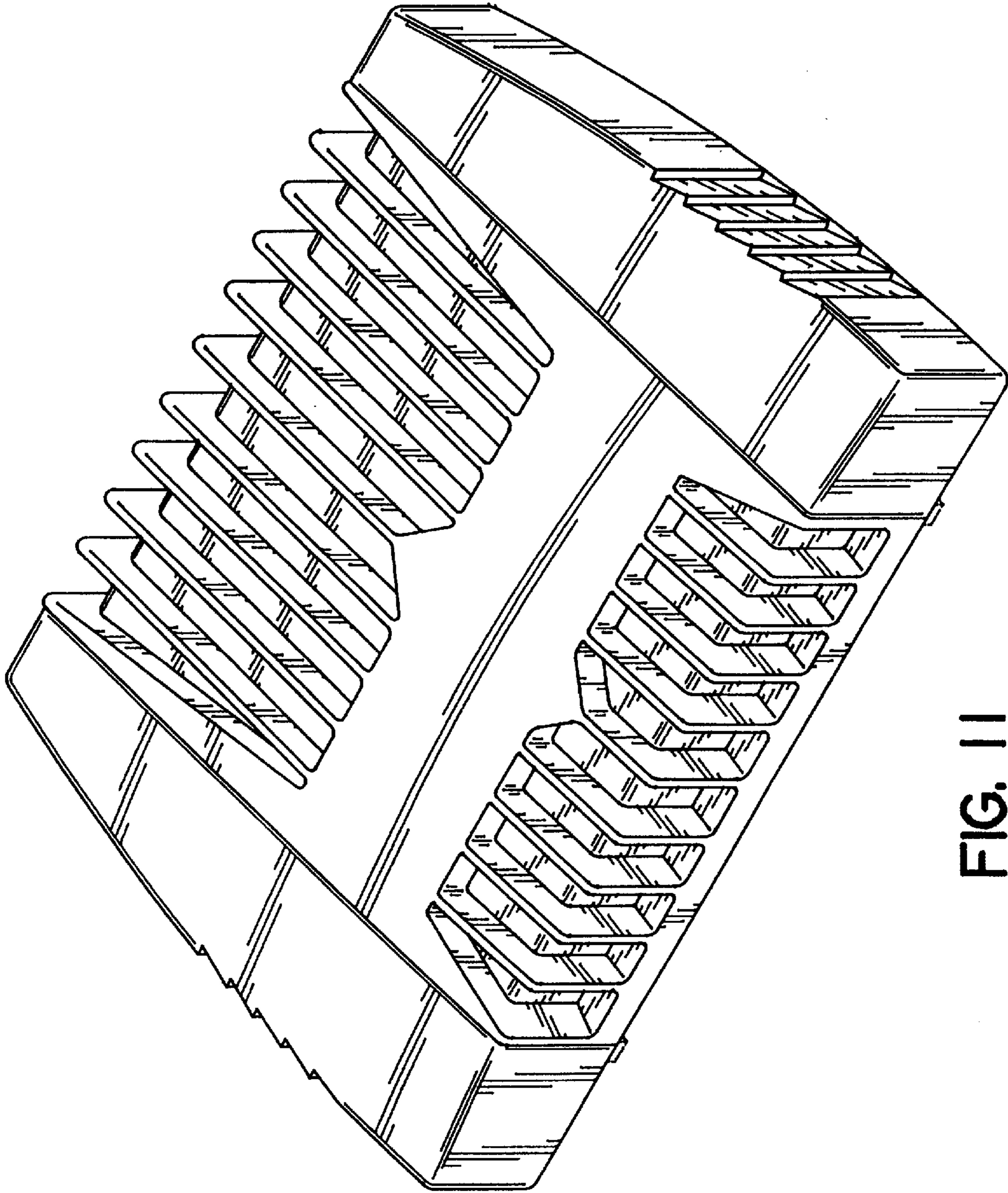


FIG. 11

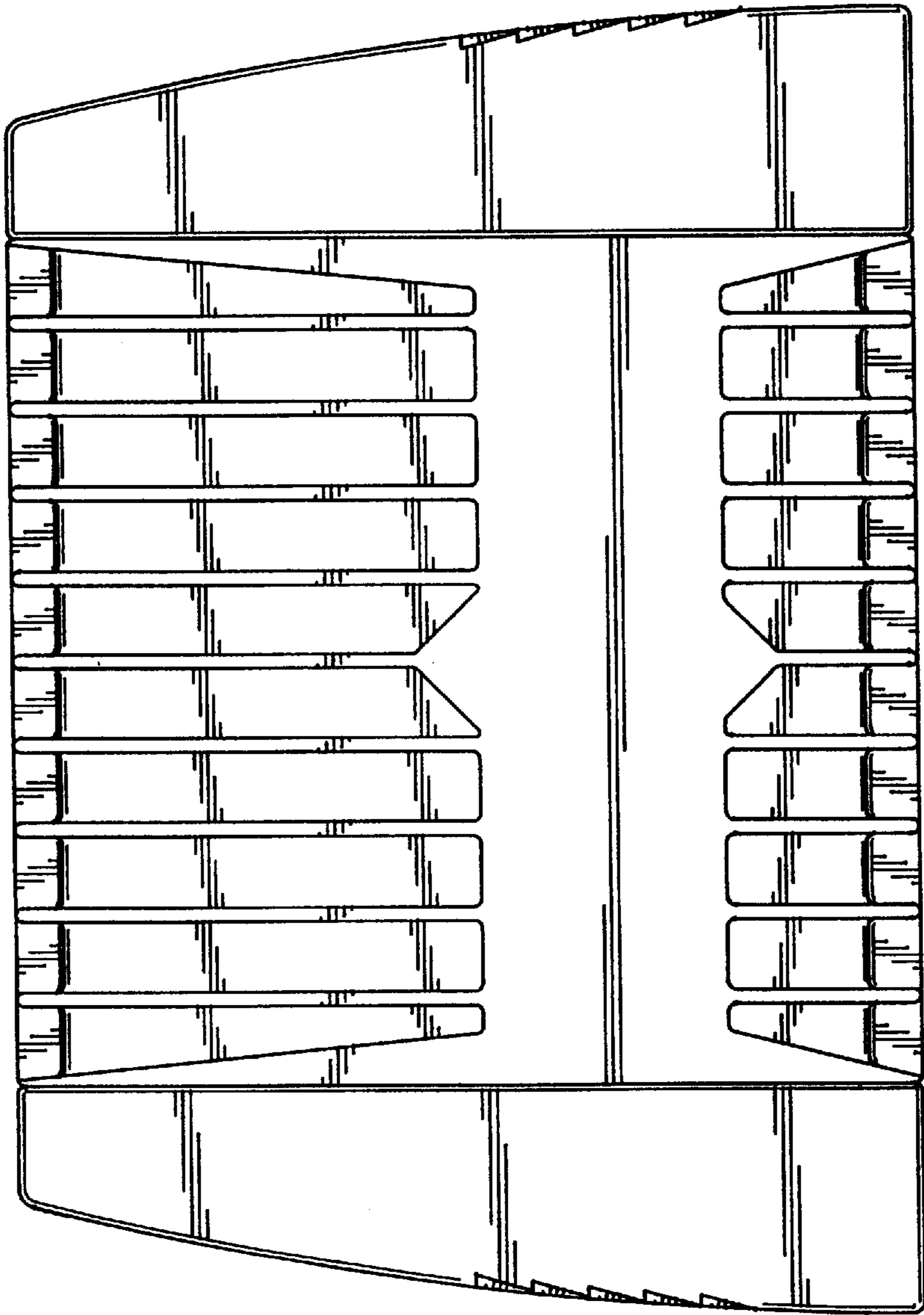


FIG. 12

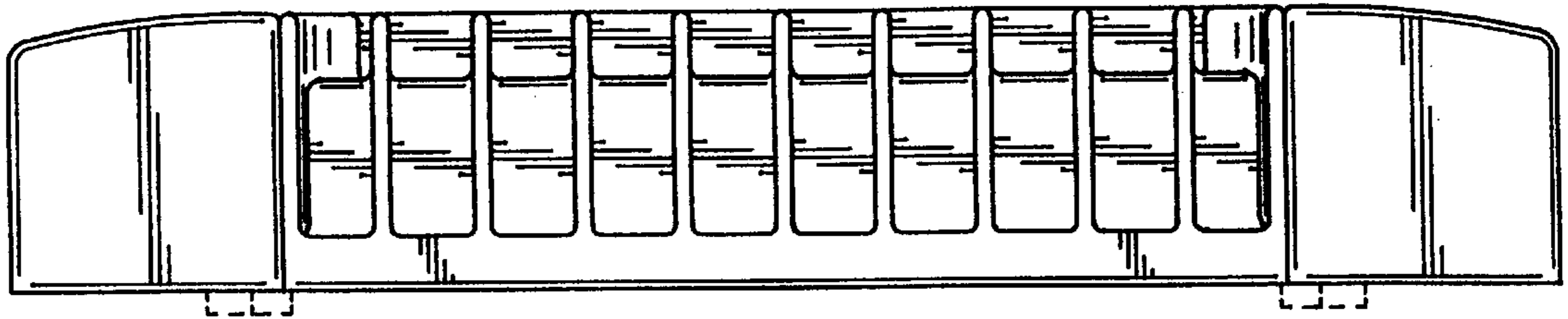


FIG. 13

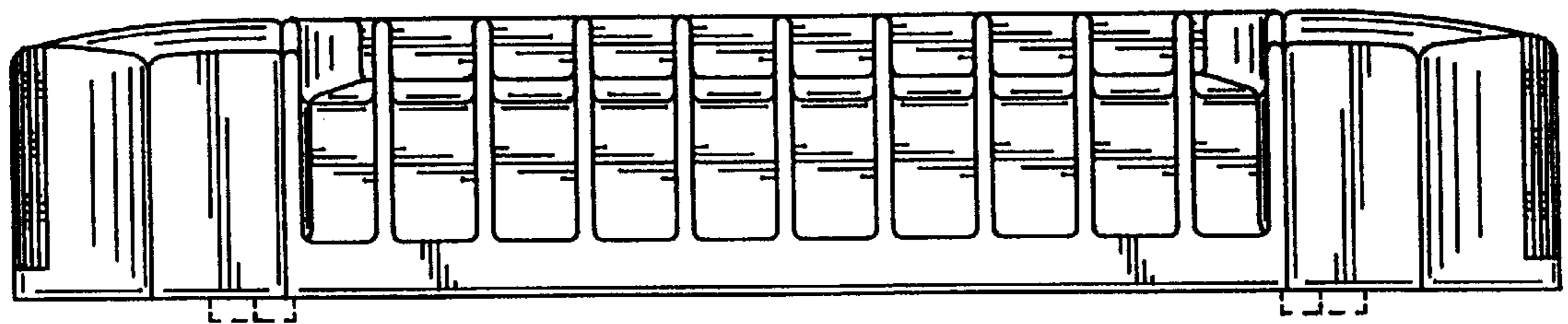


FIG. 14

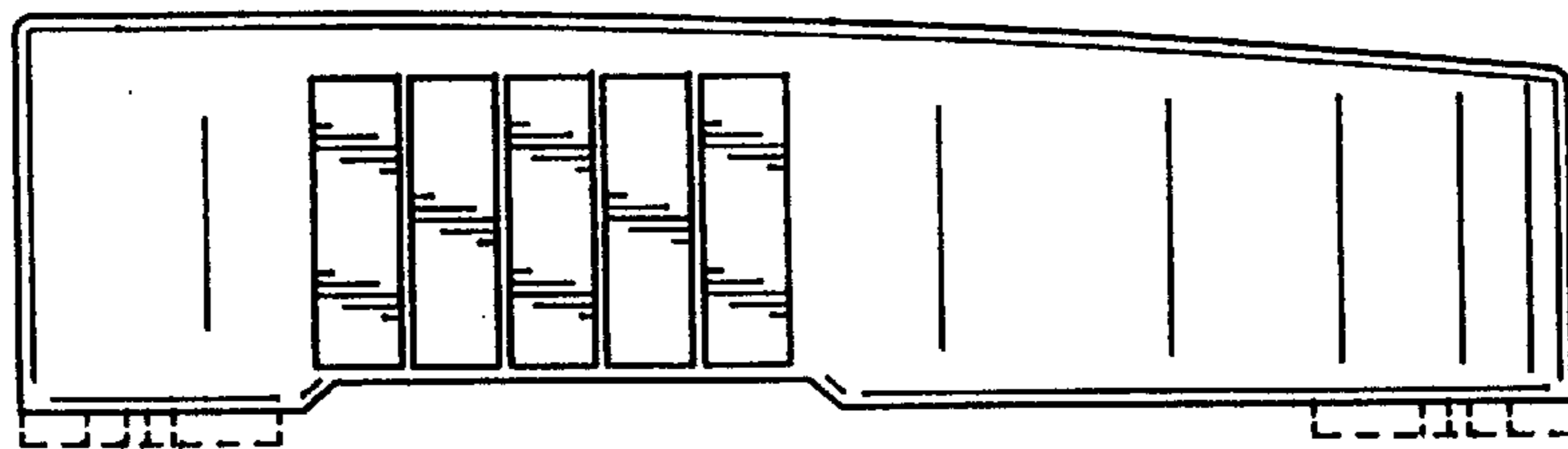


FIG. 15