



US00D401224S

United States Patent [19]

Mollenkopf et al.

[11] Patent Number: **Des. 401,224**

[45] Date of Patent: ****Nov. 17, 1998**

[54] **CABLING CHANNEL FOR MODULAR OFFICE SYSTEMS**

[75] Inventors: **Lloyd C. Mollenkopf**, Apple Valley; **Russell J. Rein**, St. Louis Park; **James Hennan**, Farmington; **Brian A. Pleschourt**, Northfield, all of Minn.

[73] Assignee: **Rosemount Office Systems, Inc.**, Lakeville, Minn.

[**] Term: **14 Years**

[21] Appl. No.: **71,708**

[22] Filed: **Jun. 4, 1997**

[51] **LOC (6) Cl.** **13-03**

[52] **U.S. Cl.** **D13/155**

[58] **Field of Search** D13/155; 52/220.7, 52/287.1; 312/223.6; 108/50.02; 138/155-157; 174/101

[56] References Cited

U.S. PATENT DOCUMENTS

4,323,291	4/1982	Ball	312/194
4,406,379	9/1983	Anderson et al.	138/156 X
4,631,881	12/1986	Charman	52/220
4,654,756	3/1987	Wilson et al.	361/428
4,685,255	8/1987	Kelley	52/36
4,879,955	11/1989	Moll et al.	108/50.02
5,013,873	5/1991	Deinbele et al.	174/101
5,038,539	8/1991	Kelley et al.	52/239
5,081,808	1/1992	Bastian et al.	52/220
5,094,174	3/1992	Grund et al.	312/223 X
5,184,441	2/1993	Balfanz, Jr.	52/241

5,186,425	2/1993	Keusch et al.	312/223.6 X
5,237,935	8/1993	Newhouse et al.	312/223.6 X
5,272,988	12/1993	Kelley et al.	312/223.6 X
5,287,666	2/1994	Frascaroli et al.	52/239
5,337,657	8/1994	Diffrient	108/50.02 X
5,406,760	4/1995	Edwards	52/239
5,479,747	1/1996	Wu	52/220.7
5,606,920	3/1997	Meyer et al.	312/223.6 X
5,640,912	6/1997	Diffrient	312/223.6 X

Primary Examiner—Joel Sincavage
Attorney, Agent, or Firm—Westman, Champlin & Kelly, P.A.

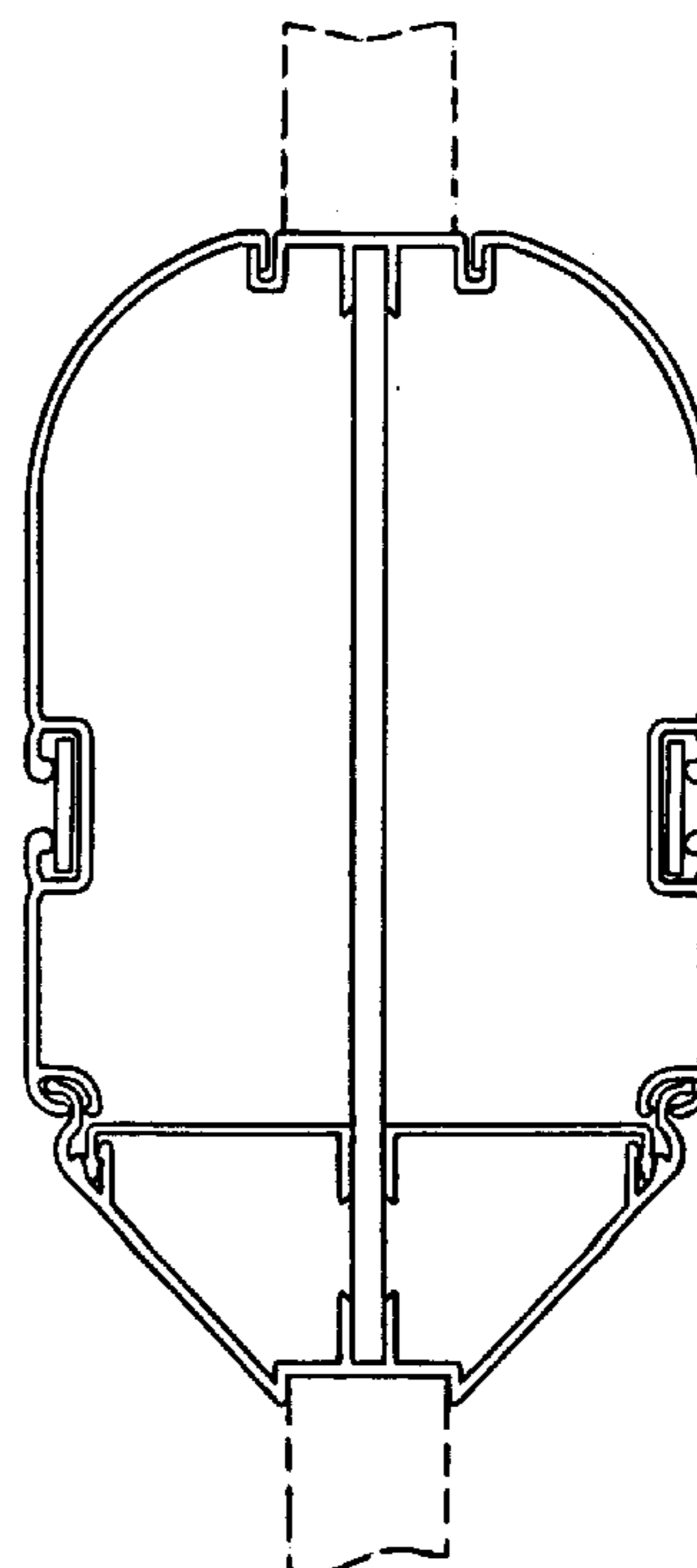
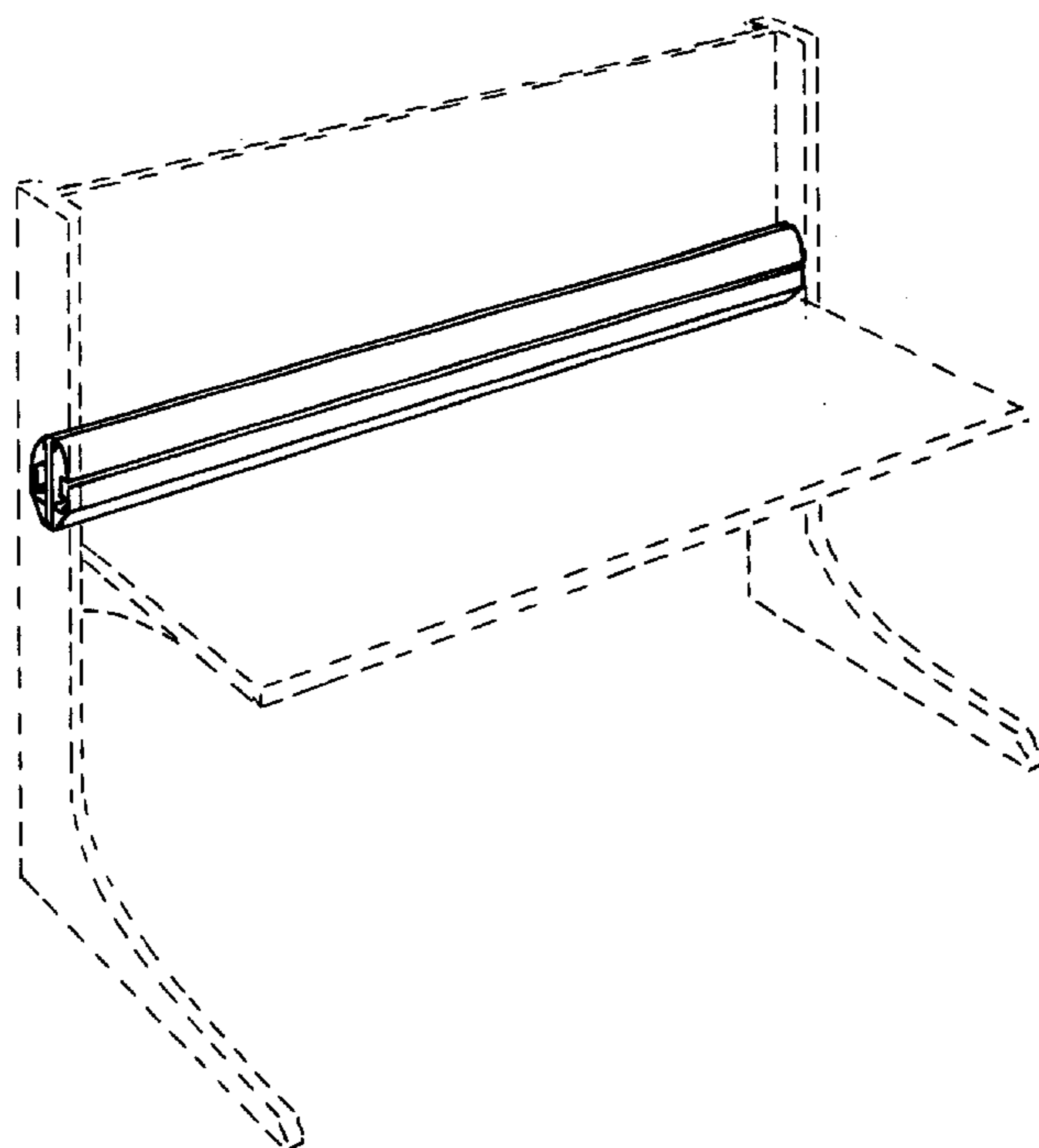
[57] CLAIM

The ornamental design for a cabling channel for modular office systems, as shown and described.

DESCRIPTION

FIG. 1 is a perspective view of a cabling channel for modular office systems embodying our new design; FIG. 2 is an enlarged end elevational view thereof; FIG. 3 is a top plan view thereof on a slightly reduced scale; FIG. 4 is a side elevational view thereof; FIG. 5 is a bottom plan view thereof; FIG. 6 is an end view of a modified form thereof; FIG. 7 is a top view of the modified form thereof; FIG. 8 is a side view of the modified form thereof as viewed from the left side in FIG. 6; and, FIG. 9 is a bottom plan view of the modified form thereof. The dotted line representations do not form a part of the design, and the opposite side from the side shown in FIG. 4 is a mirror image thereof, and the side for the modified form not shown is identical to the sides shown in FIG. 4.

1 Claim, 3 Drawing Sheets



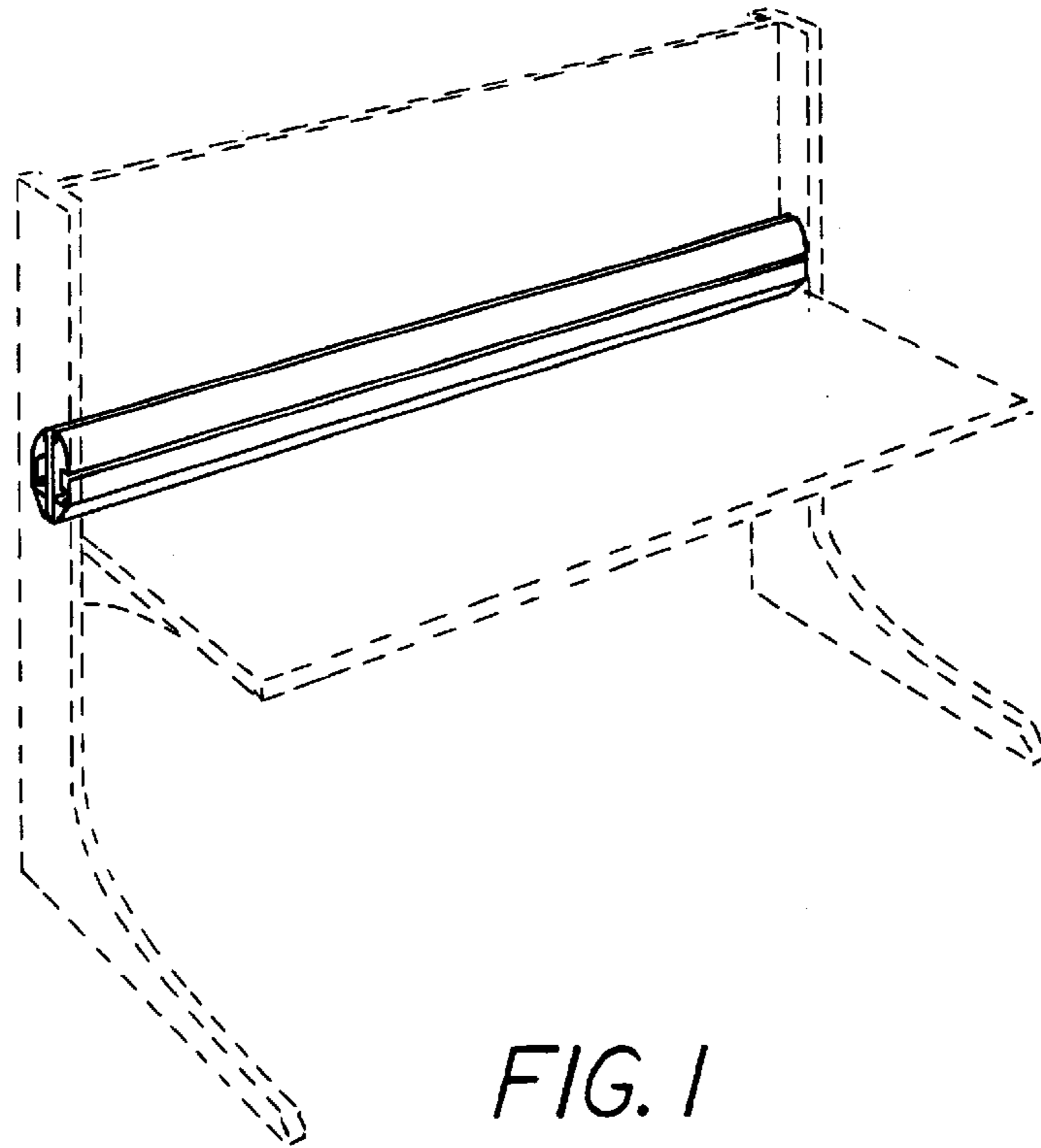


FIG. 1

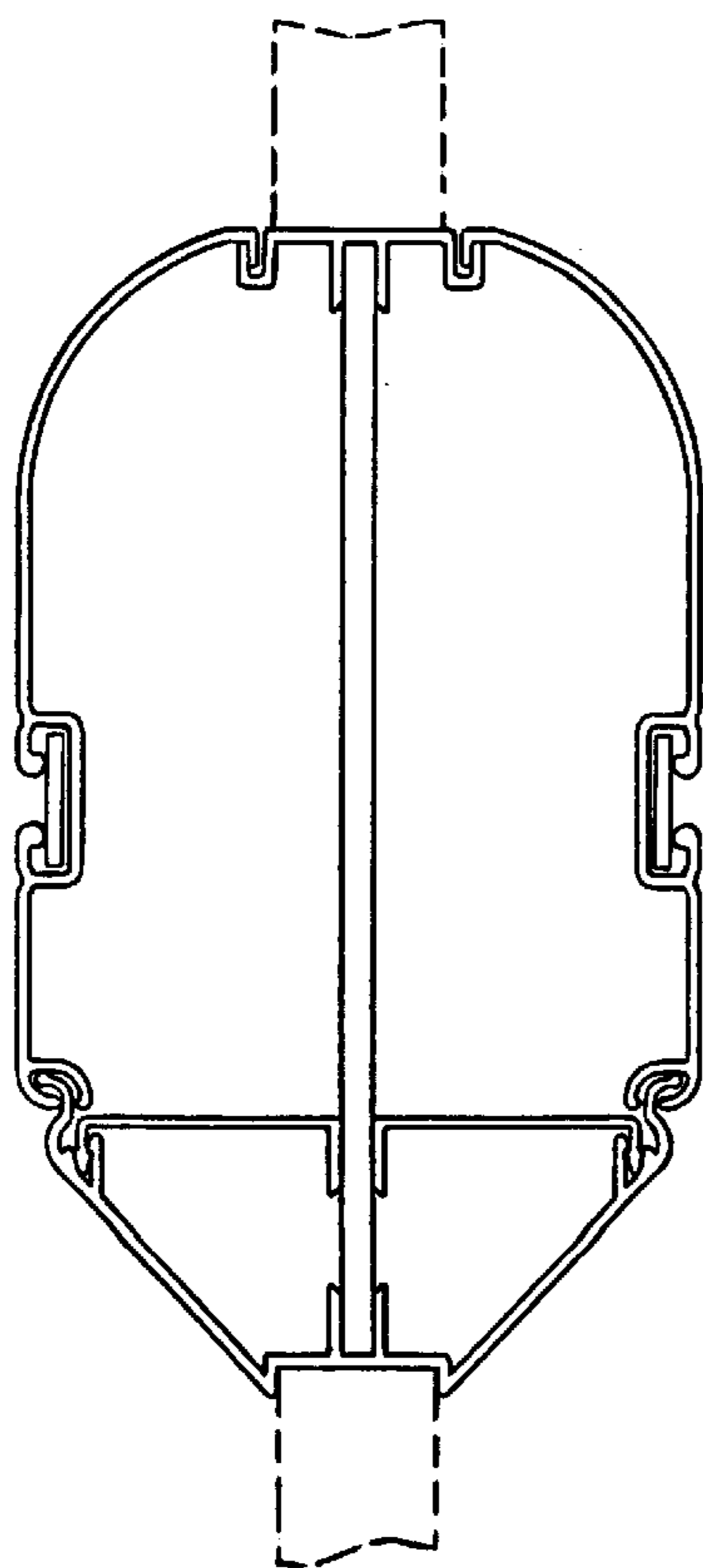


FIG. 2

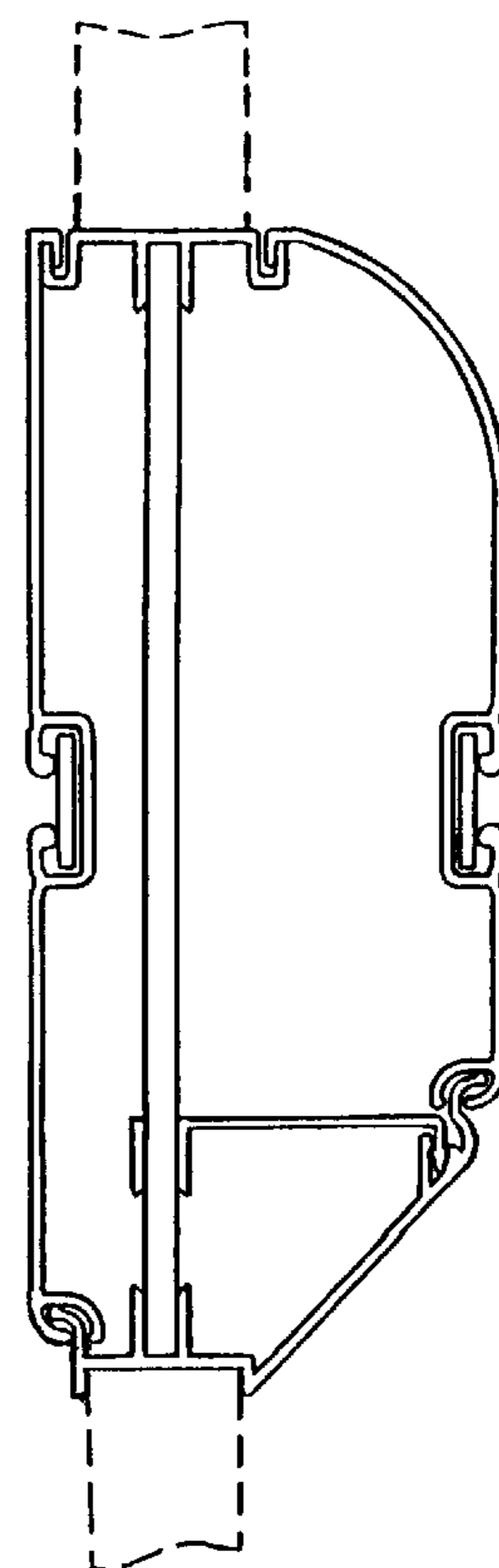


FIG. 6

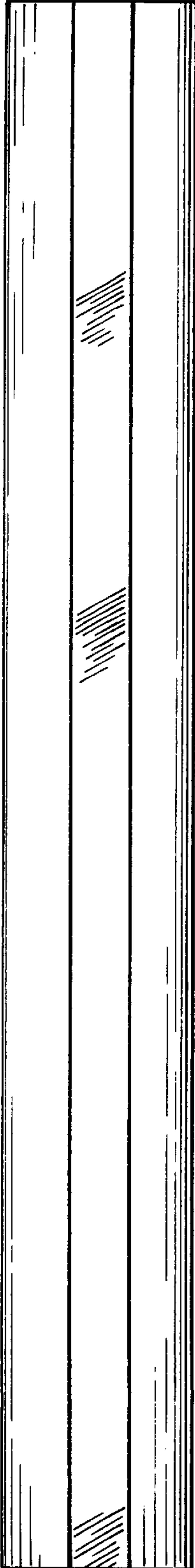


FIG. 3

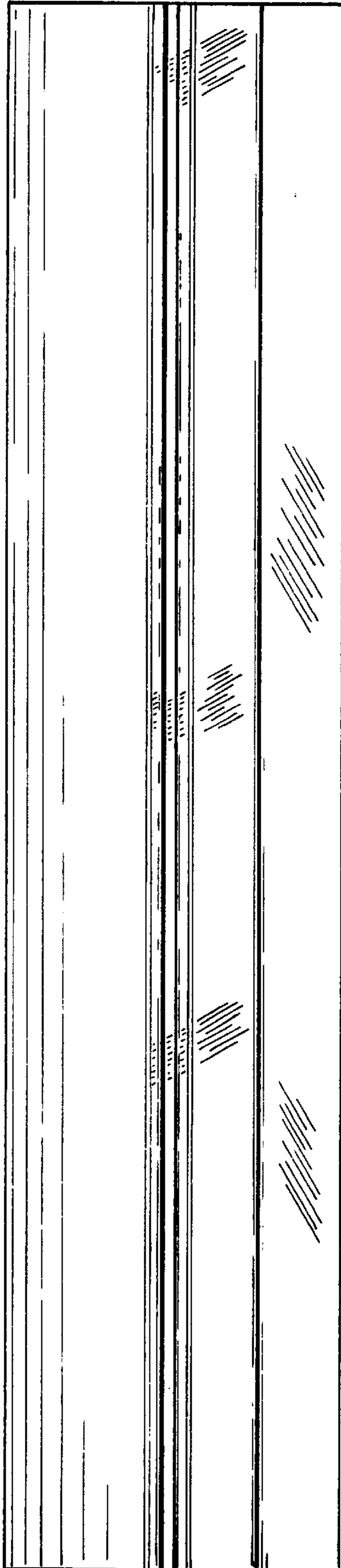


FIG. 4

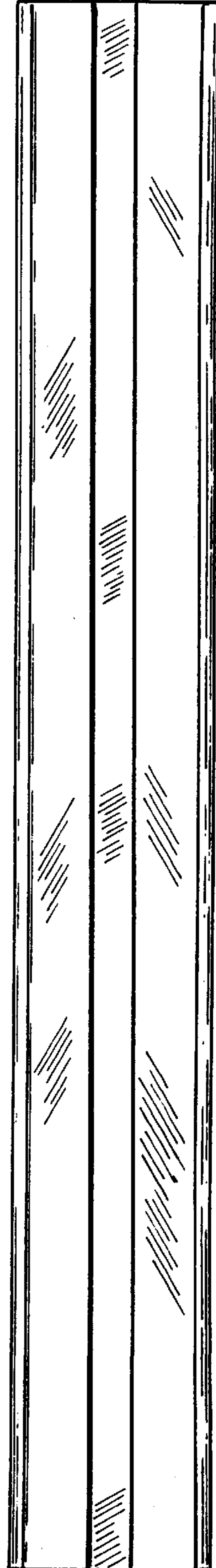


FIG. 5

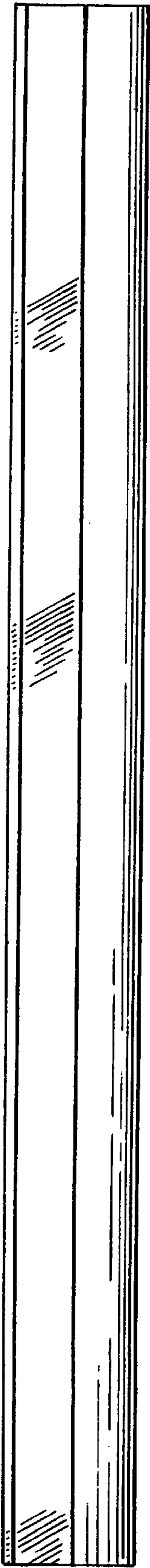


FIG. 7

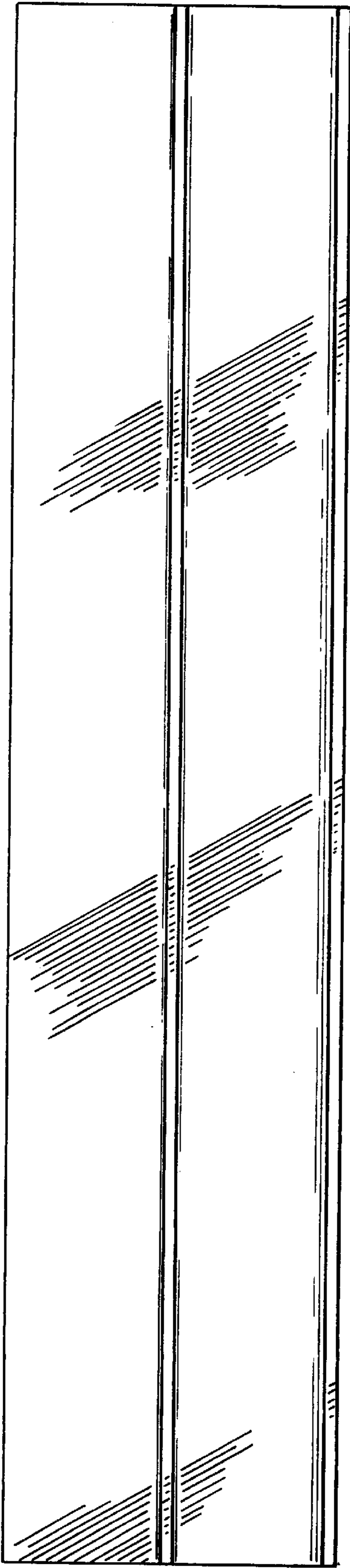


FIG. 8

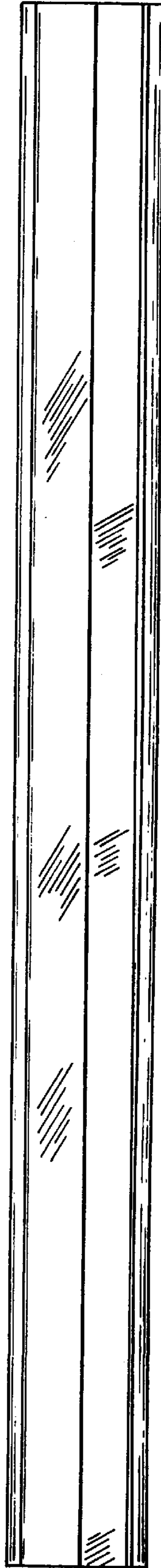


FIG. 9