



US00D401223S

United States Patent [19]
Lindborg

[11] **Patent Number: Des. 401,223**

[45] **Date of Patent: **Nov. 17, 1998**

[54] **PACKING PIECE HALF FOR A MULTI
CABLE LEED THROUGH**

5,079,389 1/1992 Nelson 174/48
5,416,271 5/1995 Birmingham et al. 174/48 X
5,560,397 10/1996 Miller et al. 138/162 X

[75] Inventor: **Erik Lindborg**, Karlskrona, Sweden

Primary Examiner—Joel Sincavage
Attorney, Agent, or Firm—Young & Thompson

[73] Assignee: **Lycab AB**, Karlskrona, Sweden

[**] Term: **14 Years**

[57] **CLAIM**

[21] Appl. No.: **60,120**

The ornamental design for a packing piece half for a multi cable leed through, as shown and described.

[22] Filed: **Sep. 23, 1996**

DESCRIPTION

[30] **Foreign Application Priority Data**

Mar. 22, 1996 [SE] Sweden 96-0679

FIG. 1 is a side perspective view of a packing piece half for a multi cable leed through, showing my new design; FIG. 2 is a side perspective view thereof, showing three of the four elastic wings pressed down into the tunnel shaped cavity;

[51] **LOC (6) Cl.** **13-03**

[52] **U.S. Cl.** **D13/155**

[58] **Field of Search** D13/155; 248/56;
174/151, 152 G, 68.3, 101, 48; 138/157,
162

FIG. 3 is a right side elevational view thereof;

FIG. 4 is a top plan view thereof;

FIG. 5 is a bottom plan view thereof;

FIG. 6 is a front elevational view thereof, a left portion of this also shown in an enlargement view; and,

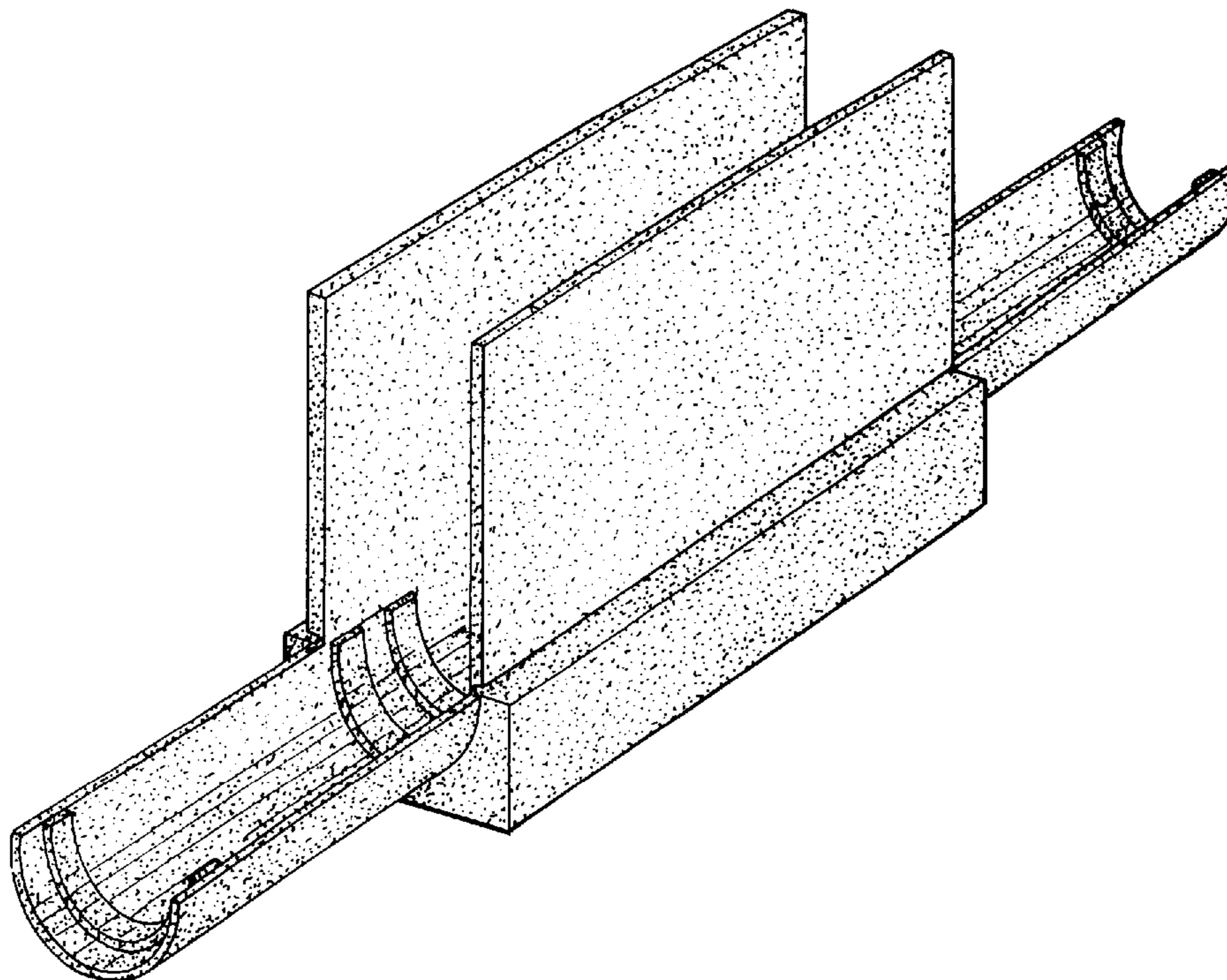
FIG. 7 is a rear elevational view thereof.

[56] **References Cited**

U.S. PATENT DOCUMENTS

4,919,372 4/1990 Twist et al. 248/56

1 Claim, 3 Drawing Sheets



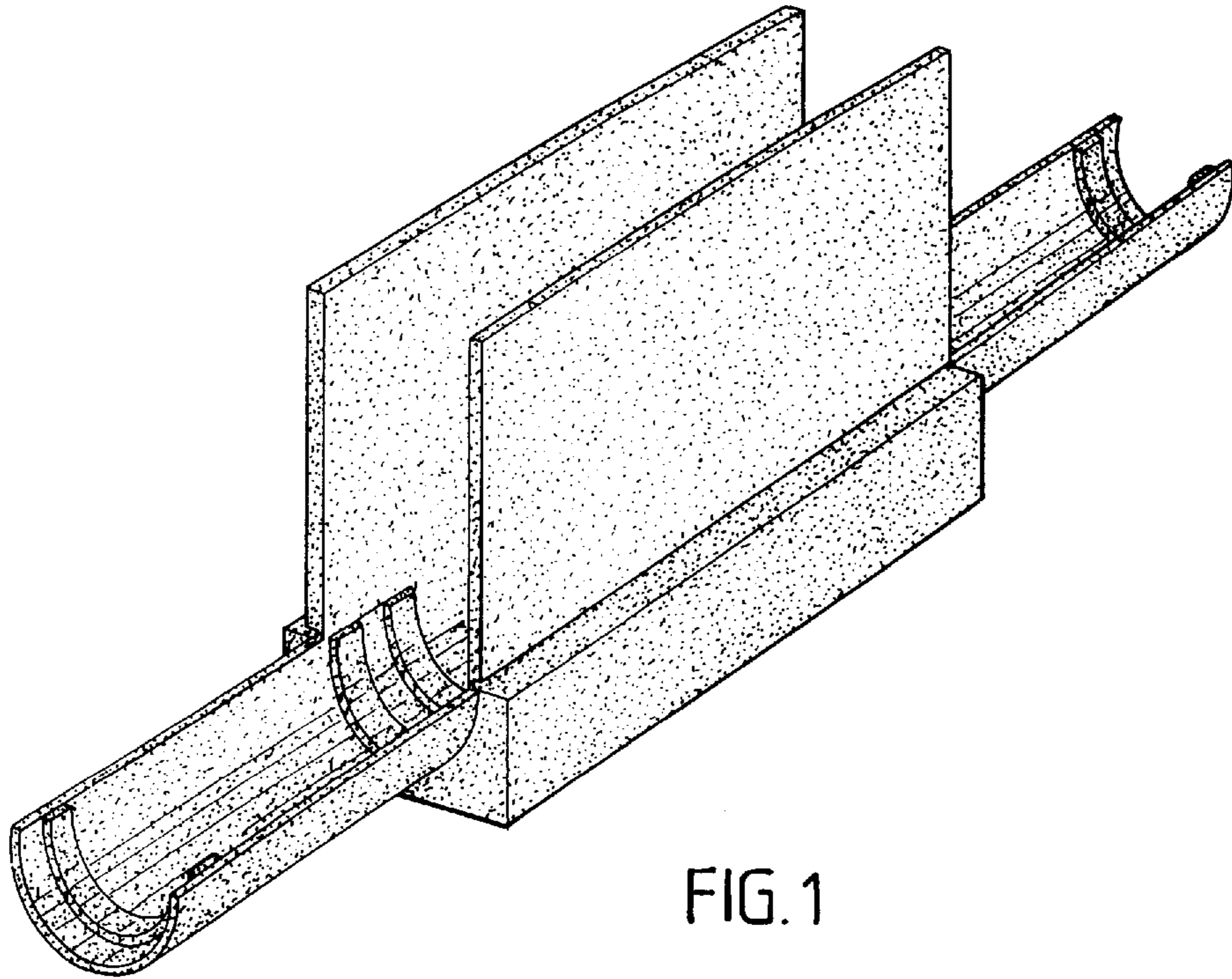


FIG. 1

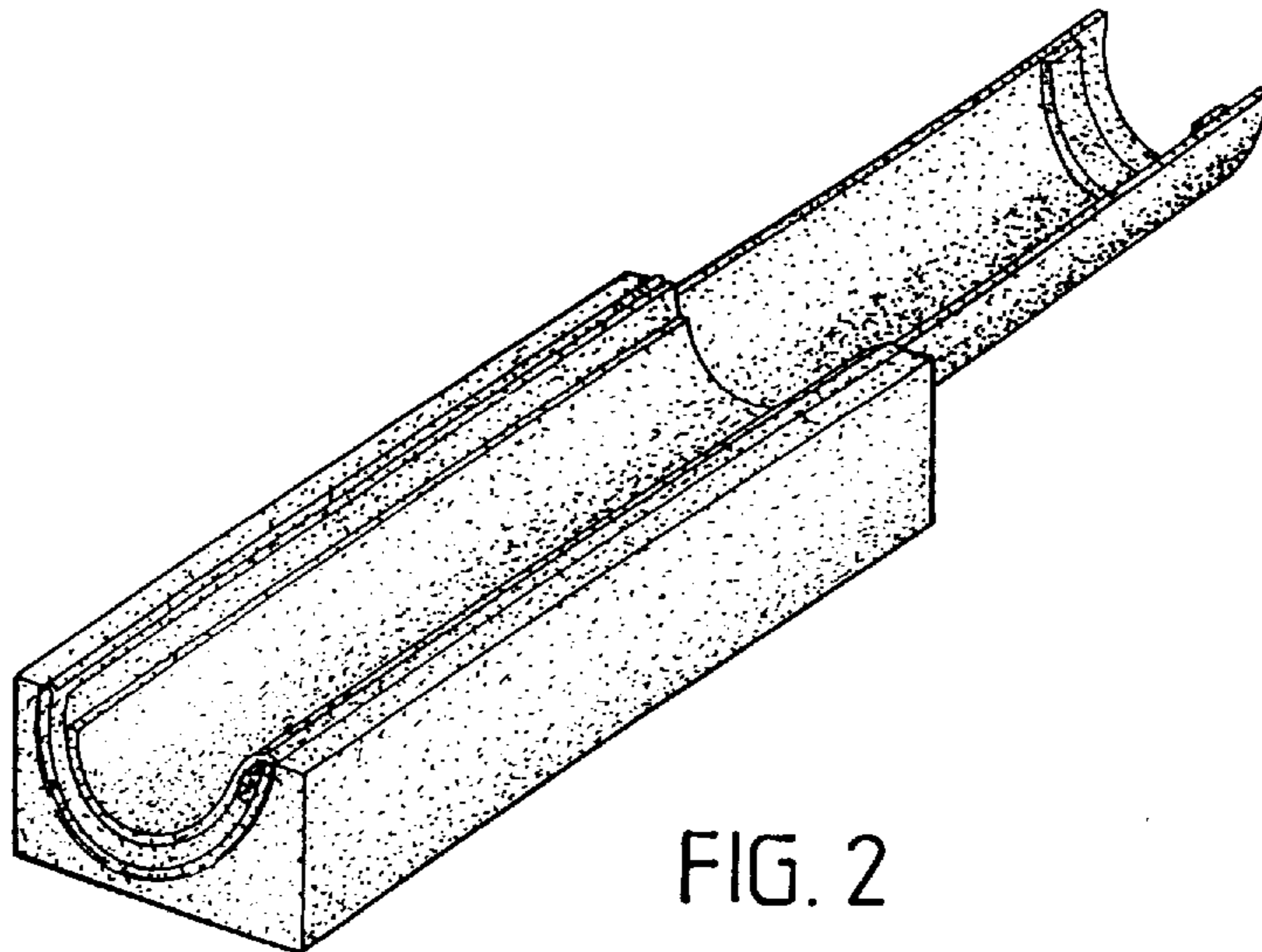


FIG. 2

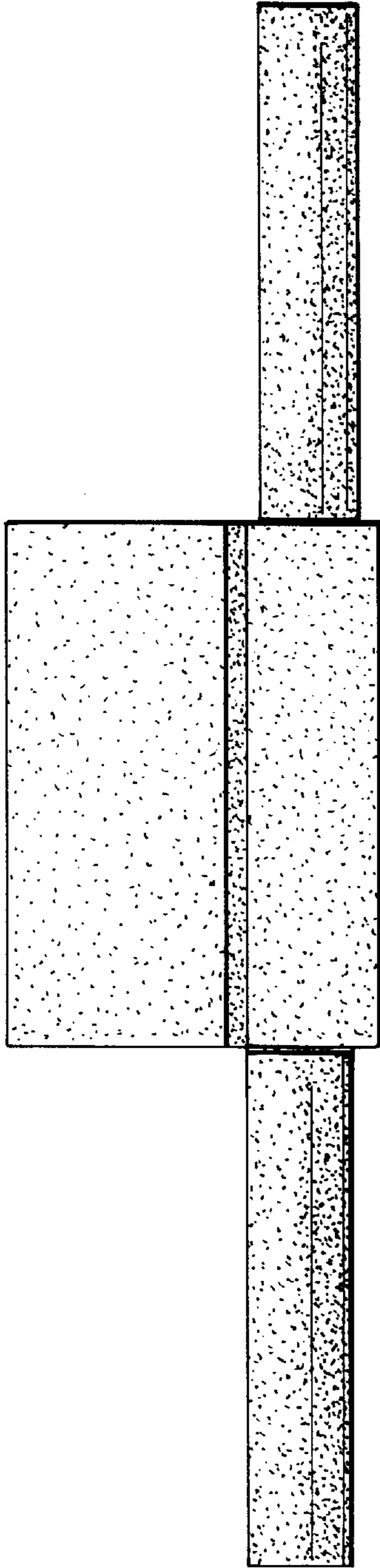


FIG. 3

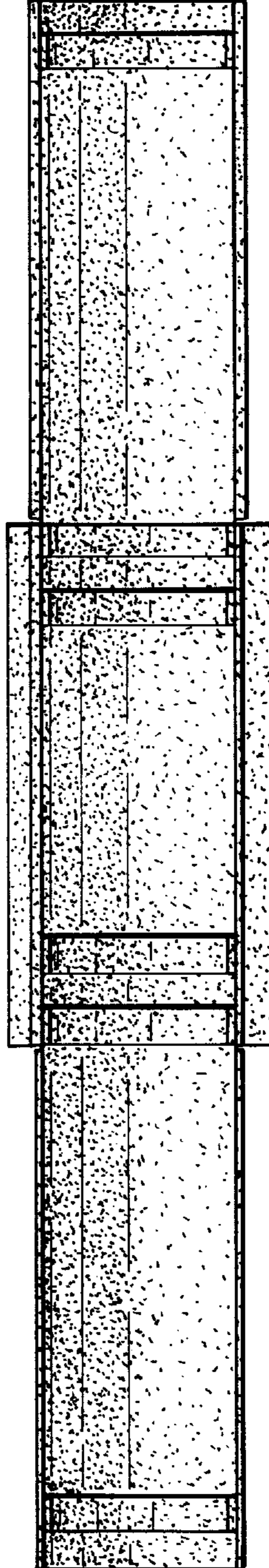


FIG. 4

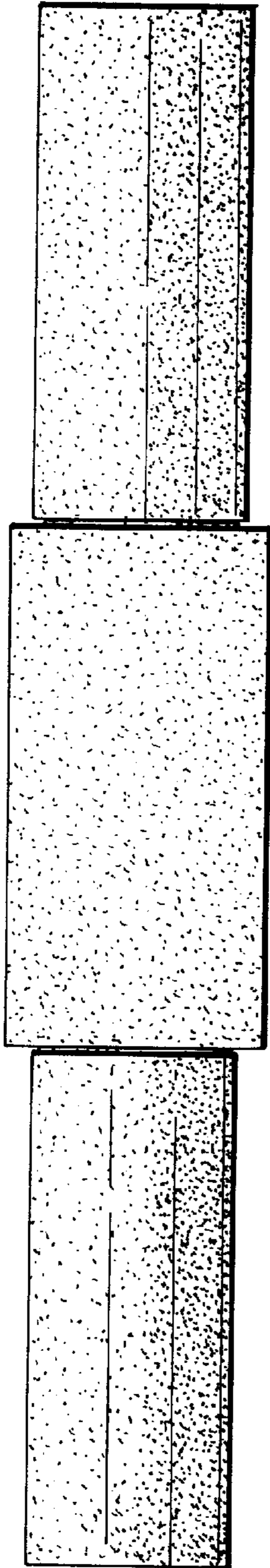


FIG. 5

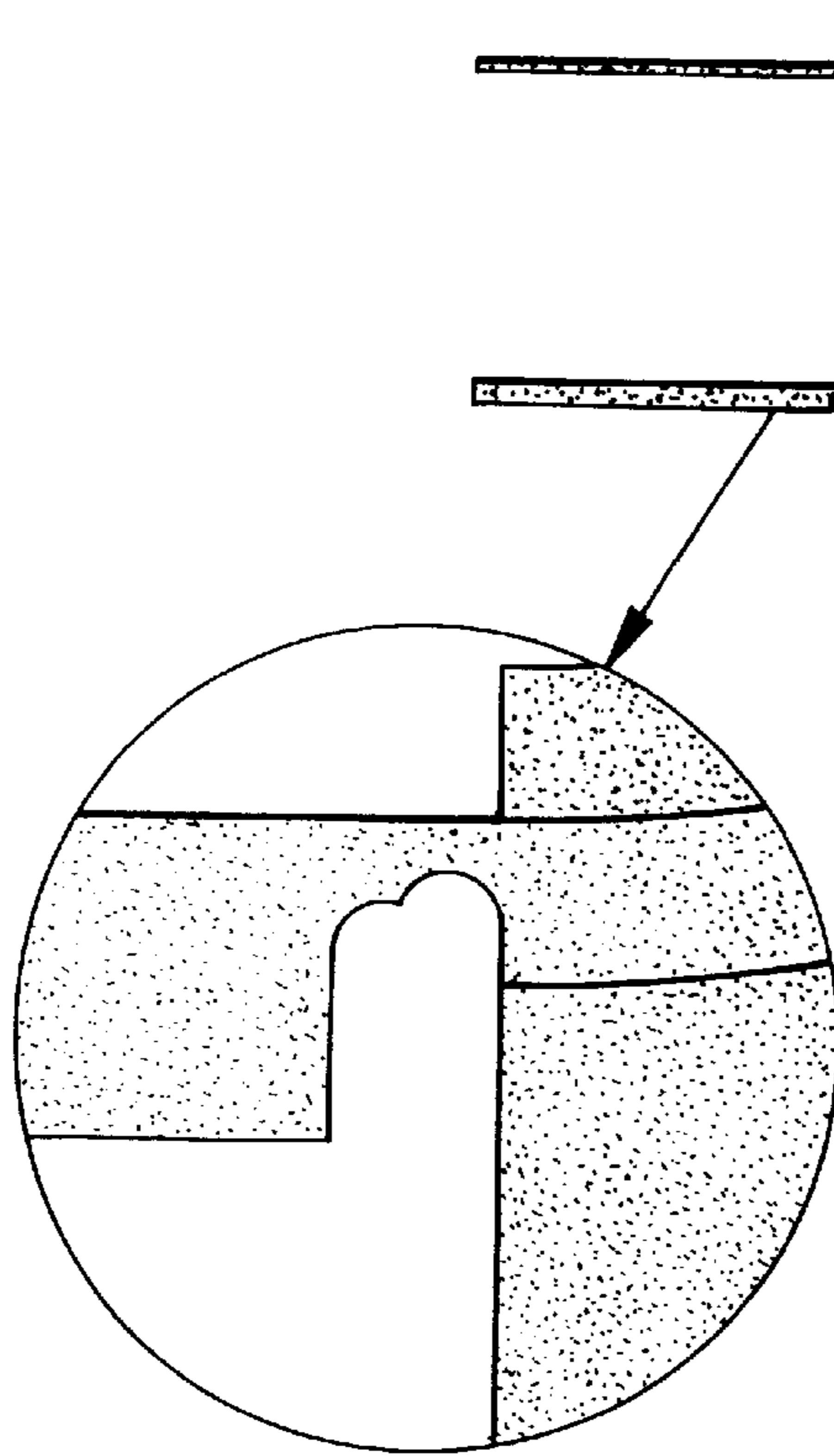


FIG. 6

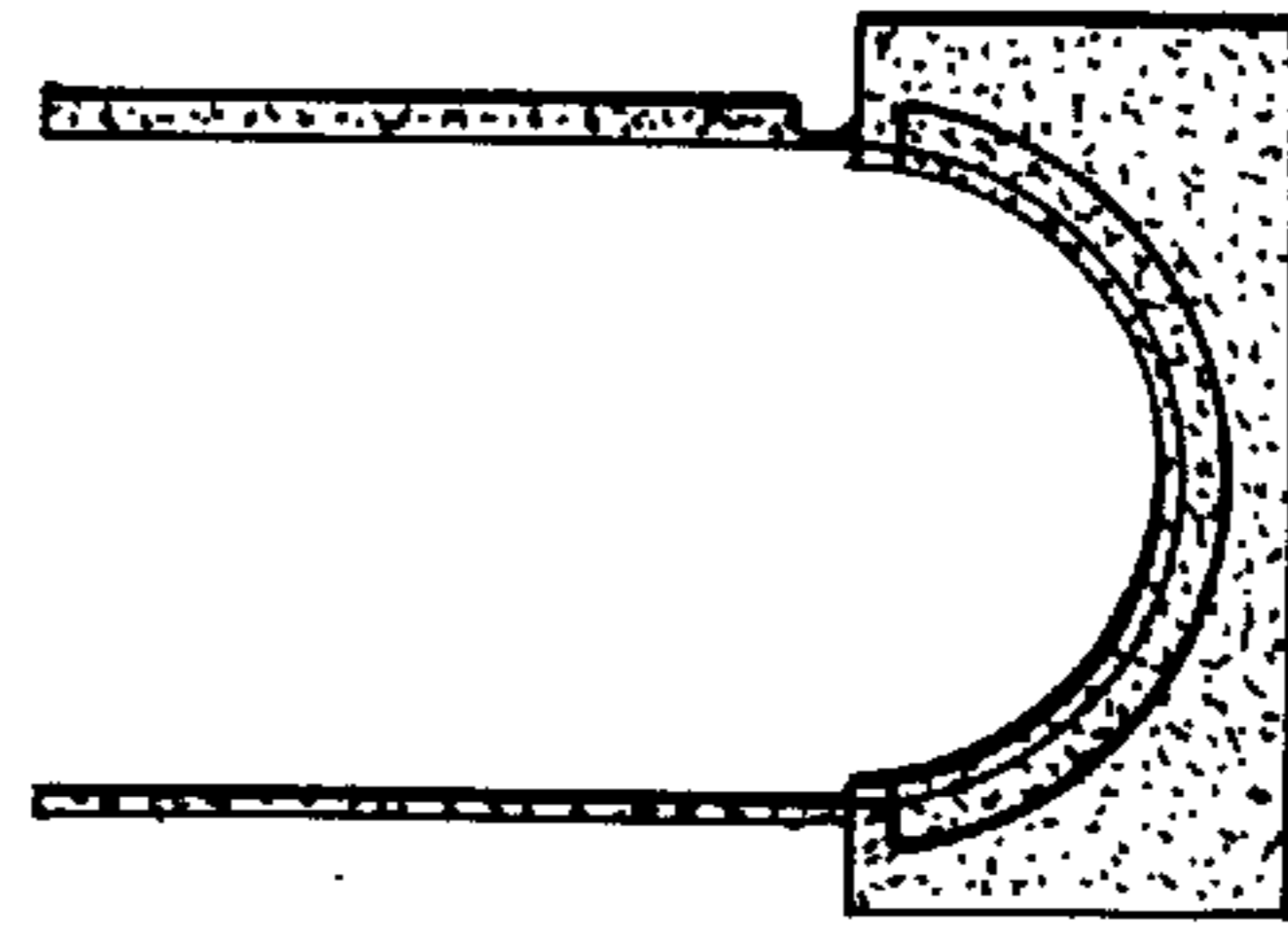


FIG. 7