

US00D401221S

# United States Patent [19]

Dwight et al.

[11] Patent Number: **Des. 401,221**

[45] Date of Patent: **\*\*Nov. 17, 1998**

[54] ELECTRICAL OUTLET

[75] Inventors: **Mark M. Dwight**, Palo Alto; **Robert M. Bruce**, San Francisco, both of Calif.; **Curt G. Bingham**, Salt Lake City, Utah

[73] Assignee: **ACCO Brands, Inc.**, Lincolnshire, Ill.

[\*\*] Term: **14 Years**

[21] Appl. No.: **56,557**

[22] Filed: **Jul. 2, 1996**

[51] LOC (6) Cl. .... **13-03**

[52] U.S. Cl. .... **D13/139.6; D13/139.8**

[58] Field of Search ..... D13/139.1-139.8, D13/137.1-137.4; 439/620, 622, 638, 214, 215, 650, 651, 652, 653, 107, 502, 535, 76.1; 307/141; 200/51.11; 361/115, 118, 119

### [56] References Cited

#### U.S. PATENT DOCUMENTS

- D. 352,273 11/1994 Fladung ..... D13/139.6
- D. 383,855 9/1997 Salmond et al. .... D13/139.6

*Primary Examiner*—Susan J. Lucas  
*Assistant Examiner*—Jennifer Rivard  
*Attorney, Agent, or Firm*—Townsend and Townsend and Crew LLP

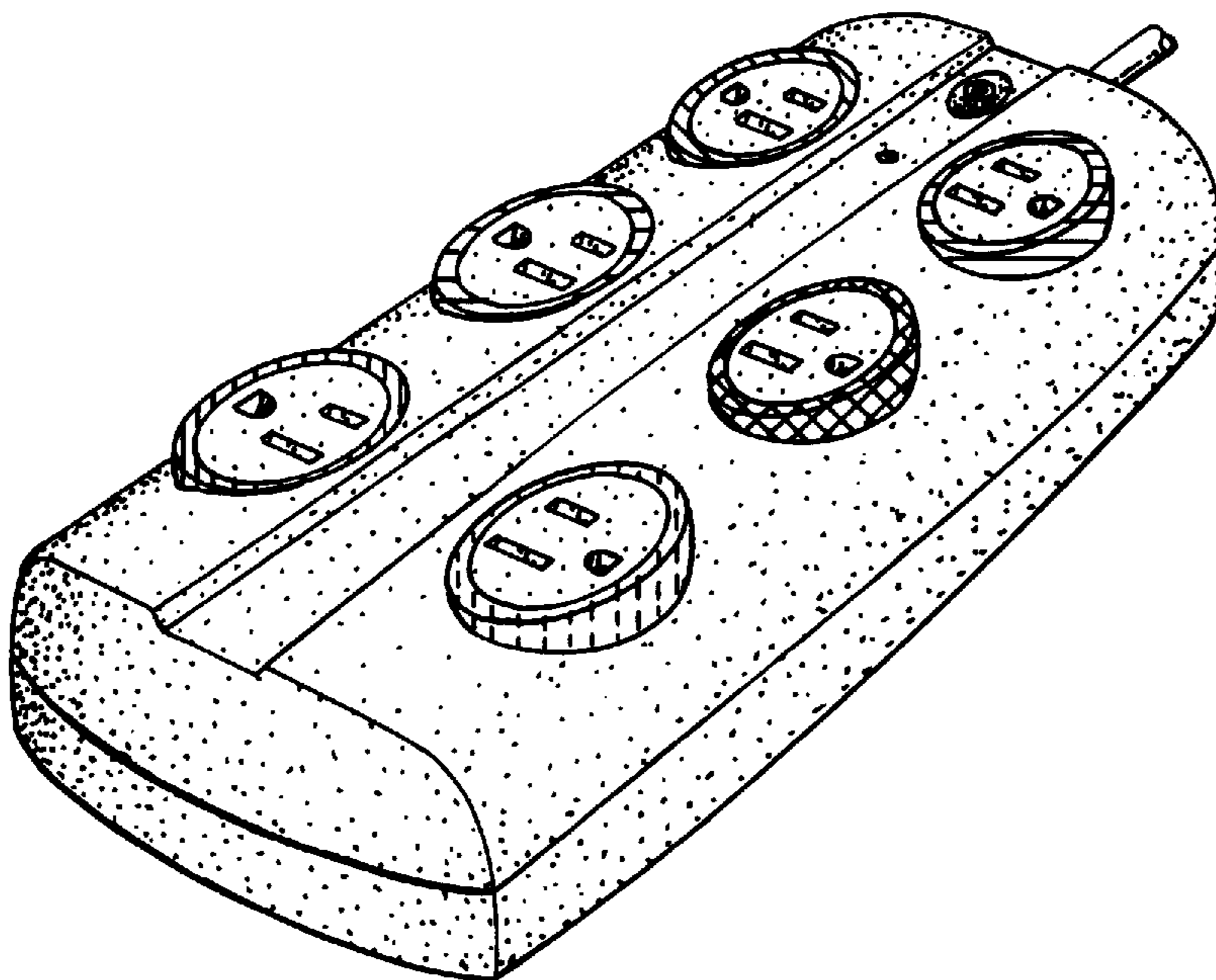
### [57] CLAIM

The ornamental design for an electrical outlet, as shown and described.

### DESCRIPTION

FIG. 1 is a perspective view of an electrical outlet showing our new design;  
 FIG. 2 is a top plan view thereof;  
 FIG. 3 is a left side elevational view;  
 FIG. 4 is a right side elevational view;  
 FIG. 5 is a front elevational view thereof;  
 FIG. 6 is a rear elevational view thereof;  
 FIG. 7 is a bottom plan view thereof; and,  
 FIG. 8 is a perspective view of an electrical outlet showing an alternate embodiment for our new design.  
 The second embodiment differs from the first only by the phone jacks on the top surface and the elements on the front panel.

**1 Claim, 3 Drawing Sheets**



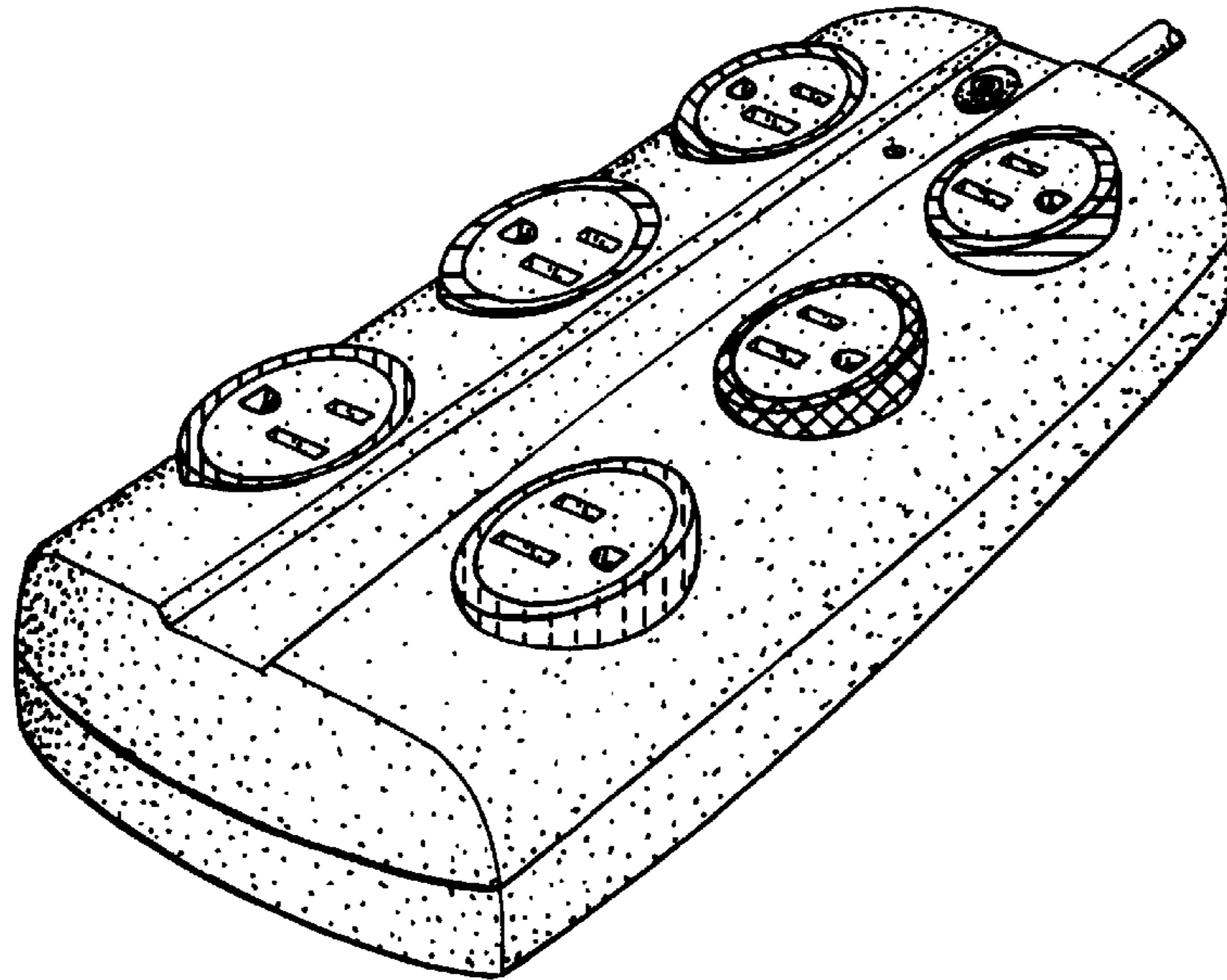


FIG. 1.

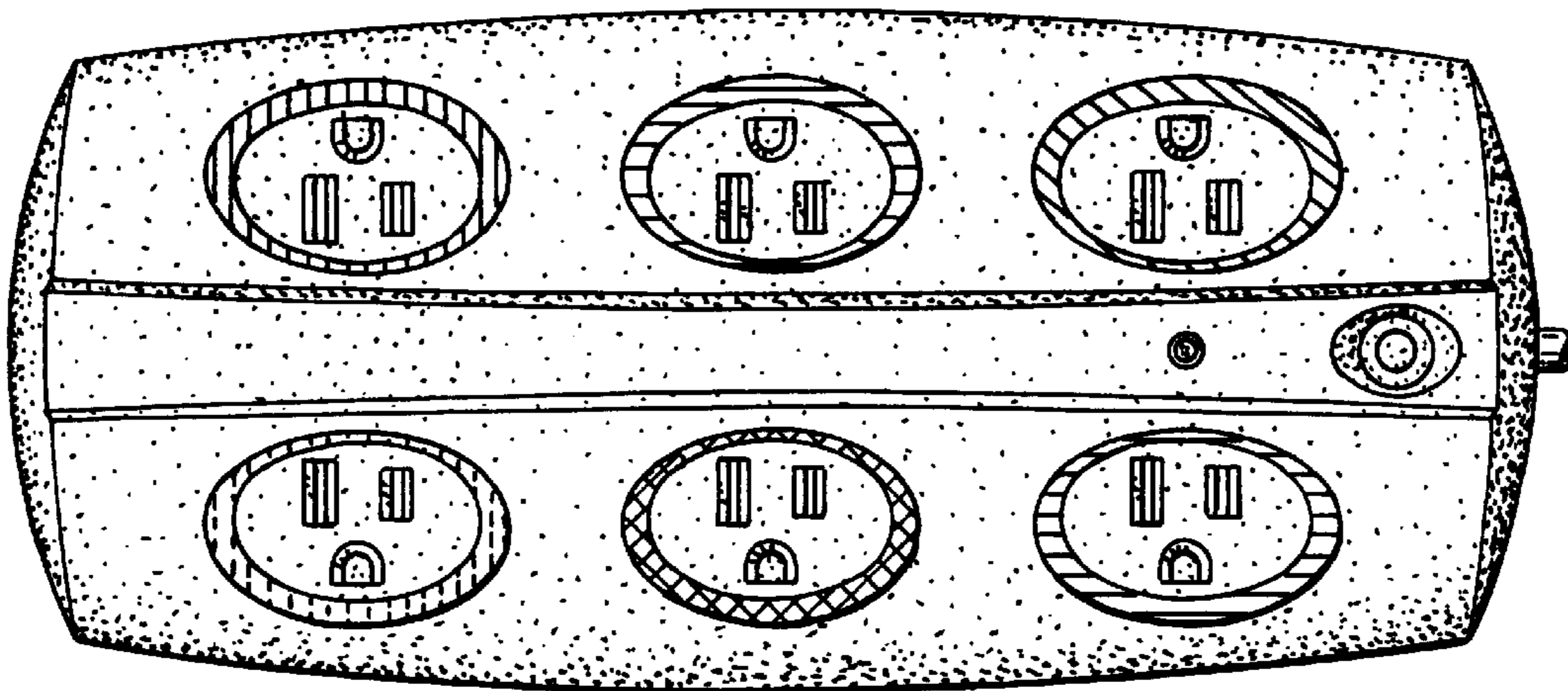


FIG. 2.

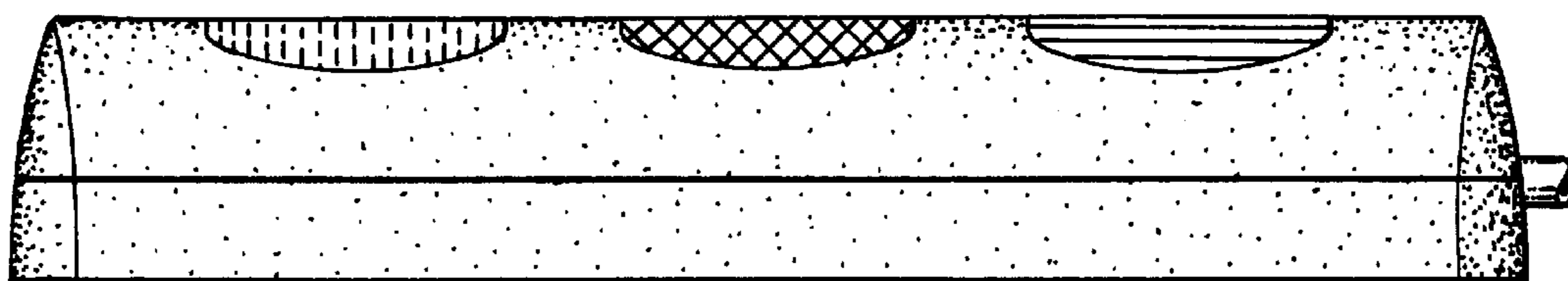


FIG. 3.

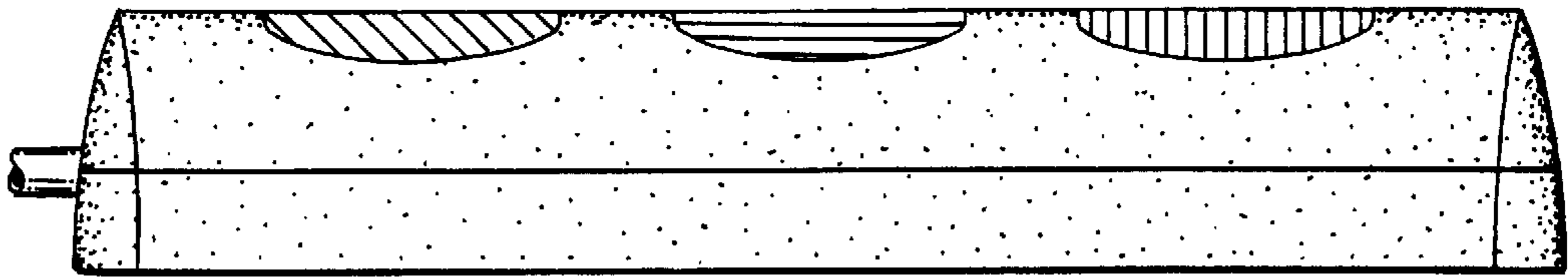


FIG. 4.

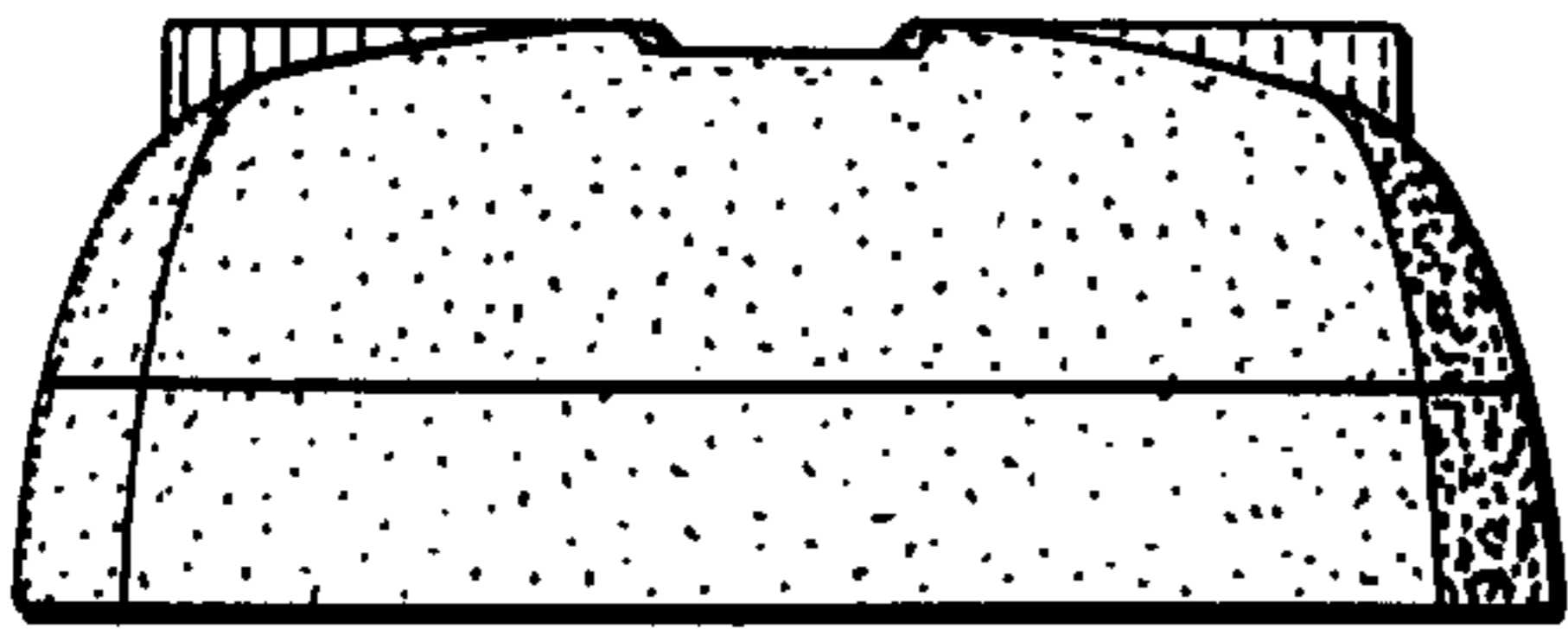


FIG. 5.

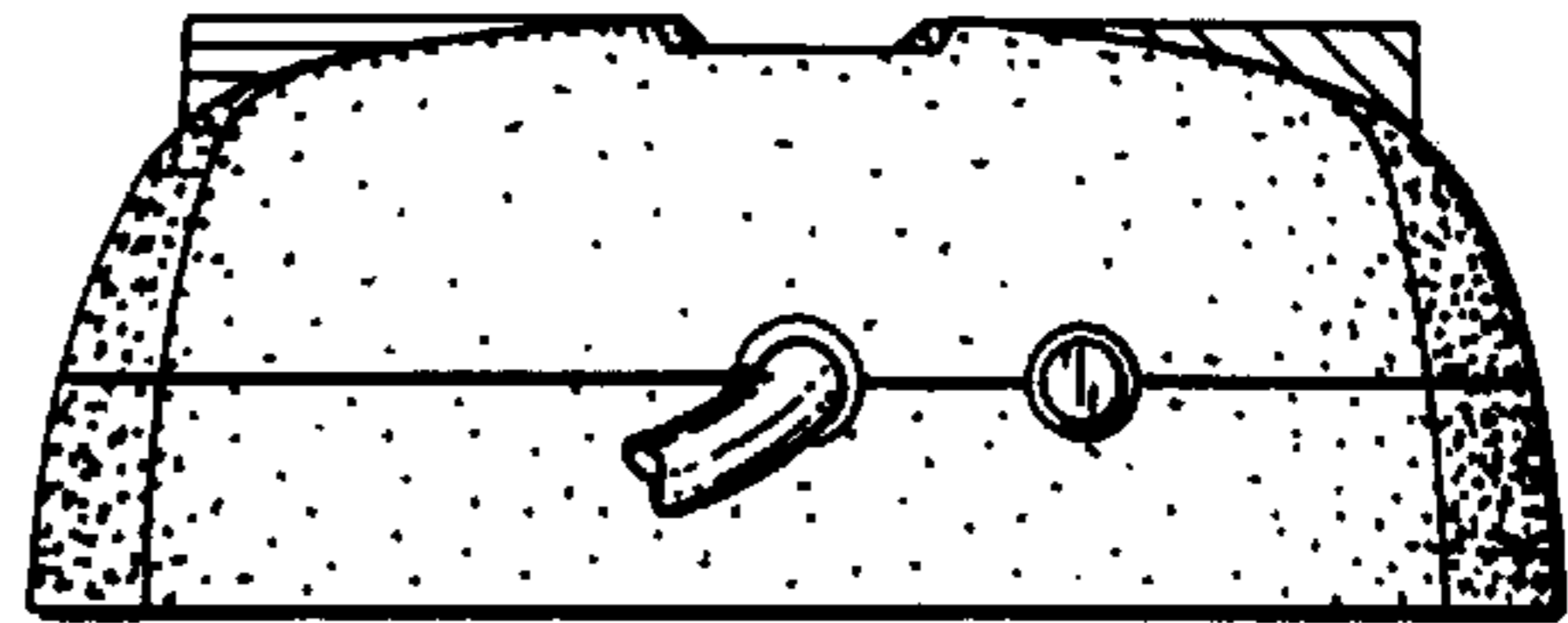


FIG. 6.

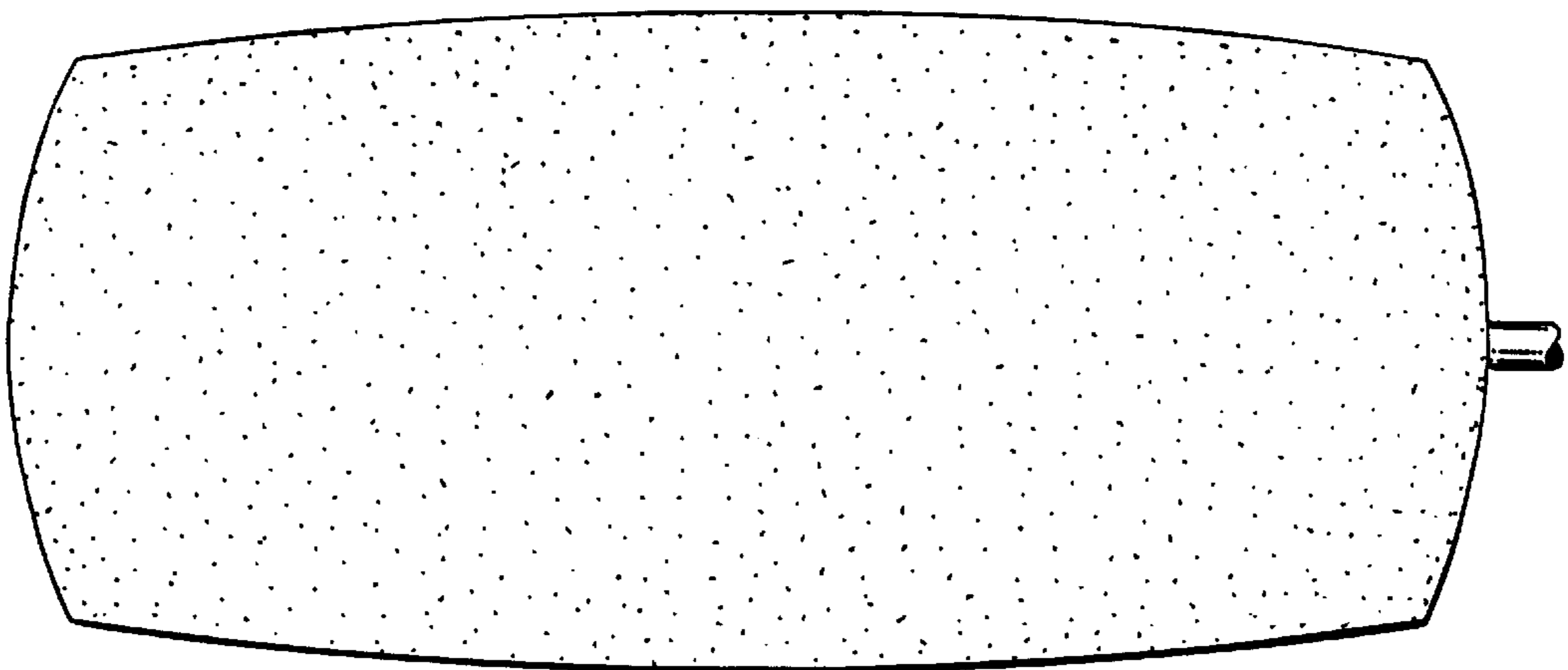
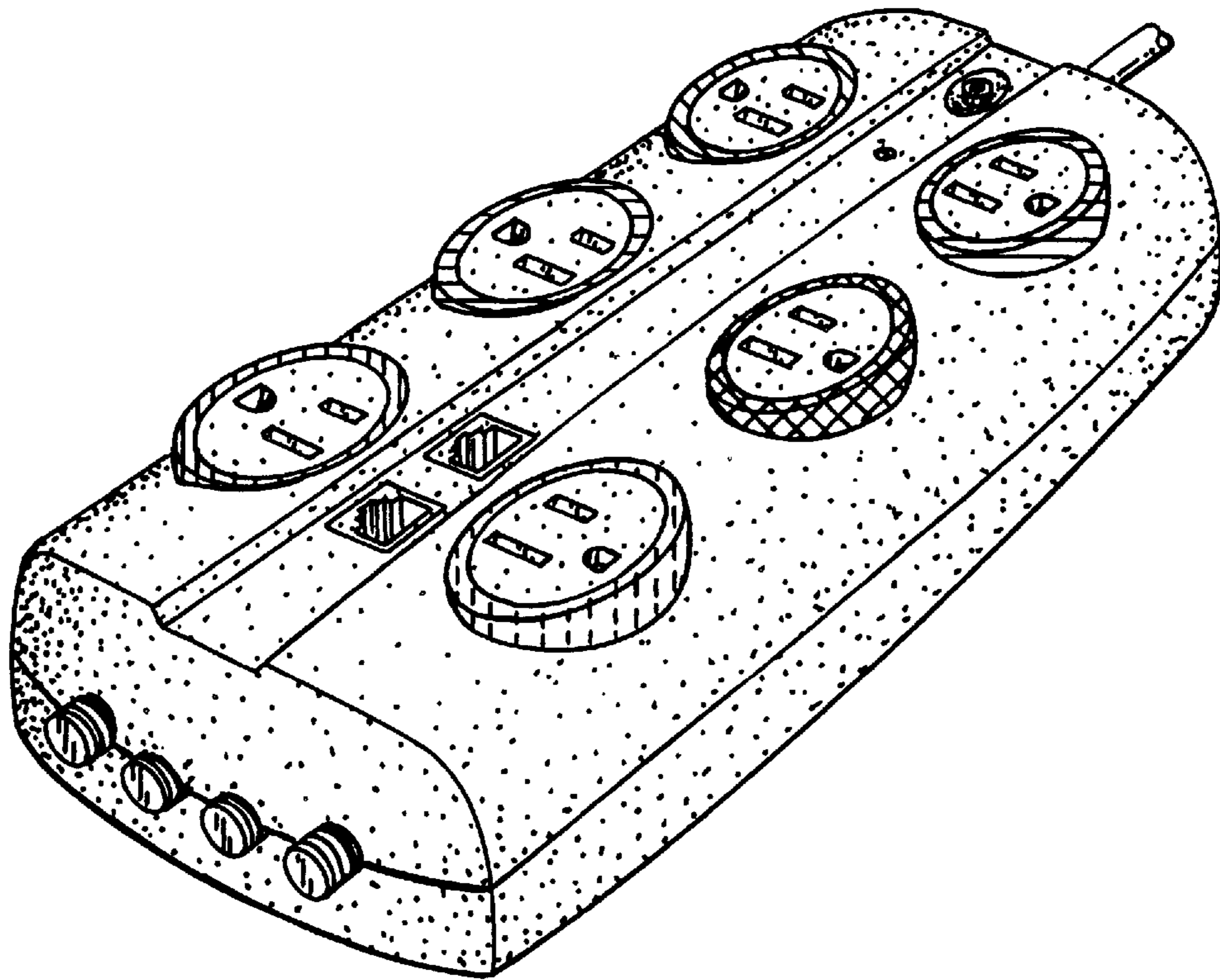


FIG. 7.



*FIG. 8.*