



US00D401219S

United States Patent [19]
Stekelenburg

[11] **Patent Number: Des. 401,219**

[45] **Date of Patent: **Nov. 17, 1998**

[54] **SOCKET**

[75] **Inventor: Albert Stekelenburg, Taipei, Taiwan**

[73] **Assignee: All-Line Inc., Taipei, Taiwan**

[**] **Term: 14 Years**

[21] **Appl. No.: 62,936**

[22] **Filed: Dec. 5, 1996**

[51] **LOC (6) Cl. 13-03**

[52] **U.S. Cl. D13/137.2**

[58] **Field of Search** D13/137.1-137.4,
D13/139.1-139.8, 145-147; 337/189; 174/51 R,
52.1, 48, 66, 67; 200/510, 297; 221/242;
439/638, 639, 660, 188

[56] **References Cited**

U.S. PATENT DOCUMENTS

D. 187,269 2/1960 Carlson D13/137.1
D. 219,262 11/1970 Robinson D13/137.2

D. 285,552 9/1986 Schwartz D13/139.8
D. 300,922 5/1989 Schwartz D13/139.8
D. 325,370 4/1992 Belcher D13/137.3
D. 329,423 9/1992 Luu D13/146
D. 350,938 9/1994 Rossman et al. D13/137.2

Primary Examiner—Susan J. Lucas
Assistant Examiner—Jennifer Rivard
Attorney, Agent, or Firm—Bacon & Thomas

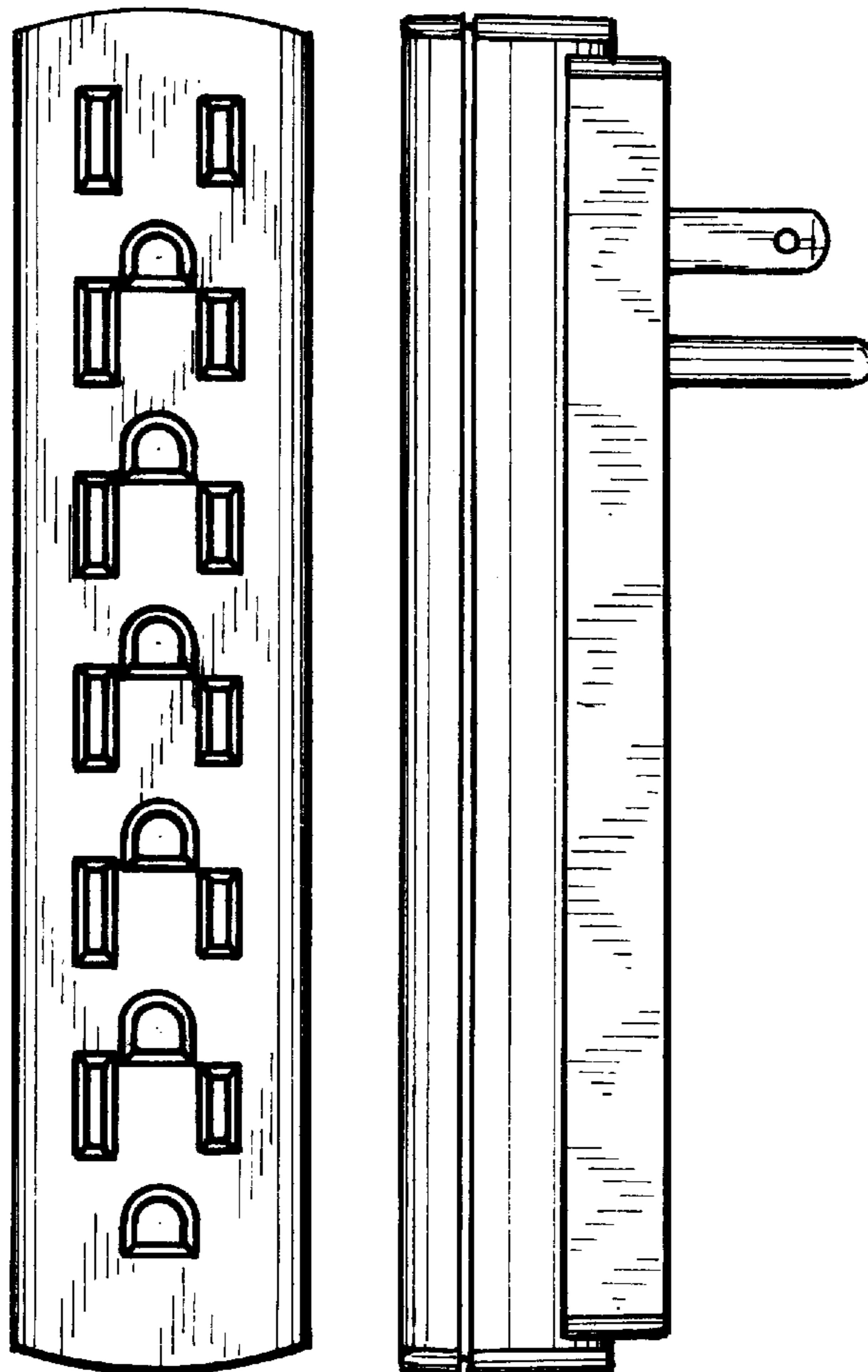
[57] **CLAIM**

The ornamental design for a socket, as shown and described.

DESCRIPTION

FIG. 1 is a front view of a socket showing the preferred embodiment of my new design;
FIG. 2 is a right side elevational view thereof;
FIG. 3 is a bottom plan view thereof;
FIG. 4 is a top plan view thereof;
FIG. 5 is a rear elevational view thereof;
FIG. 6 is a left side elevational view thereof; and,
FIG. 7 is a perspective view thereof.

1 Claim, 3 Drawing Sheets



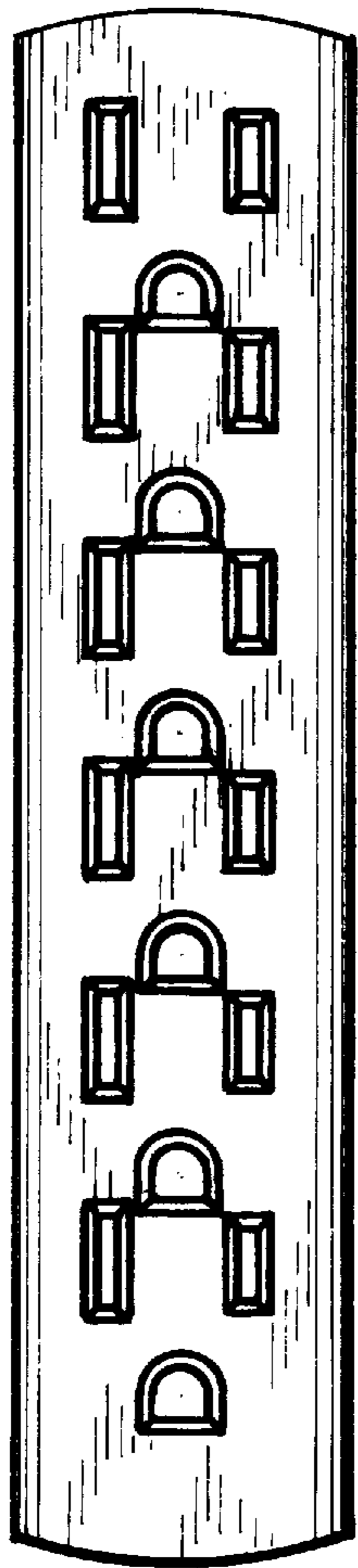


FIG. 1

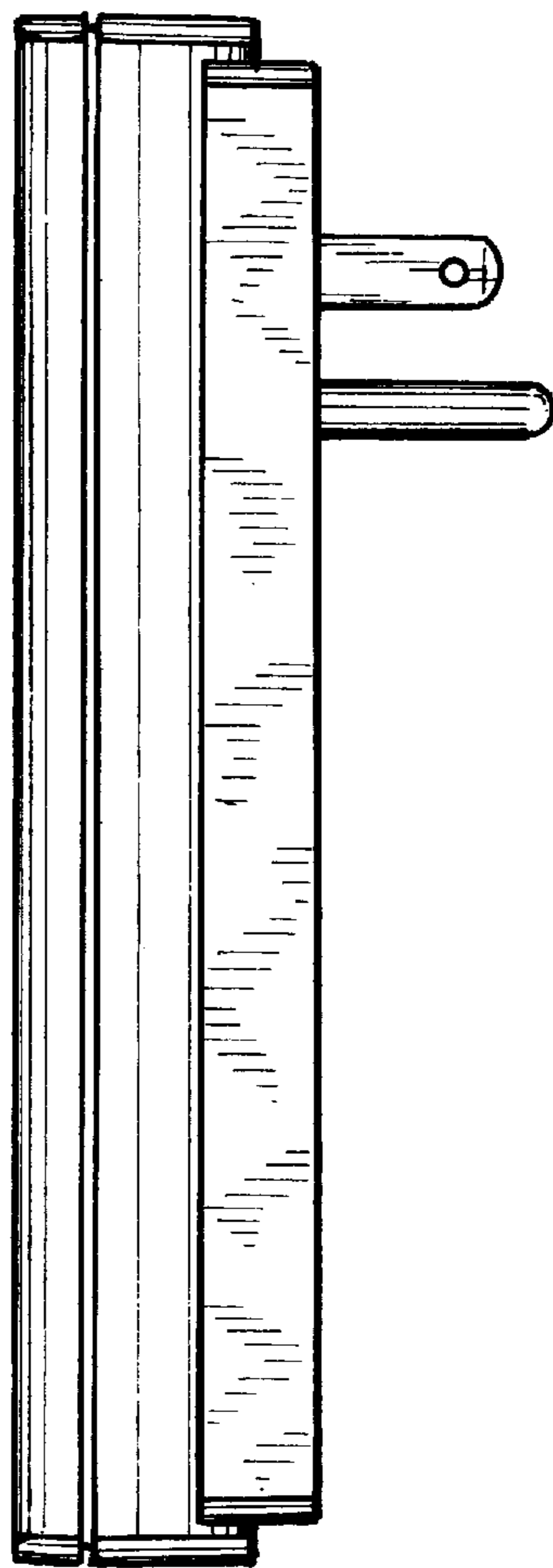


FIG. 2

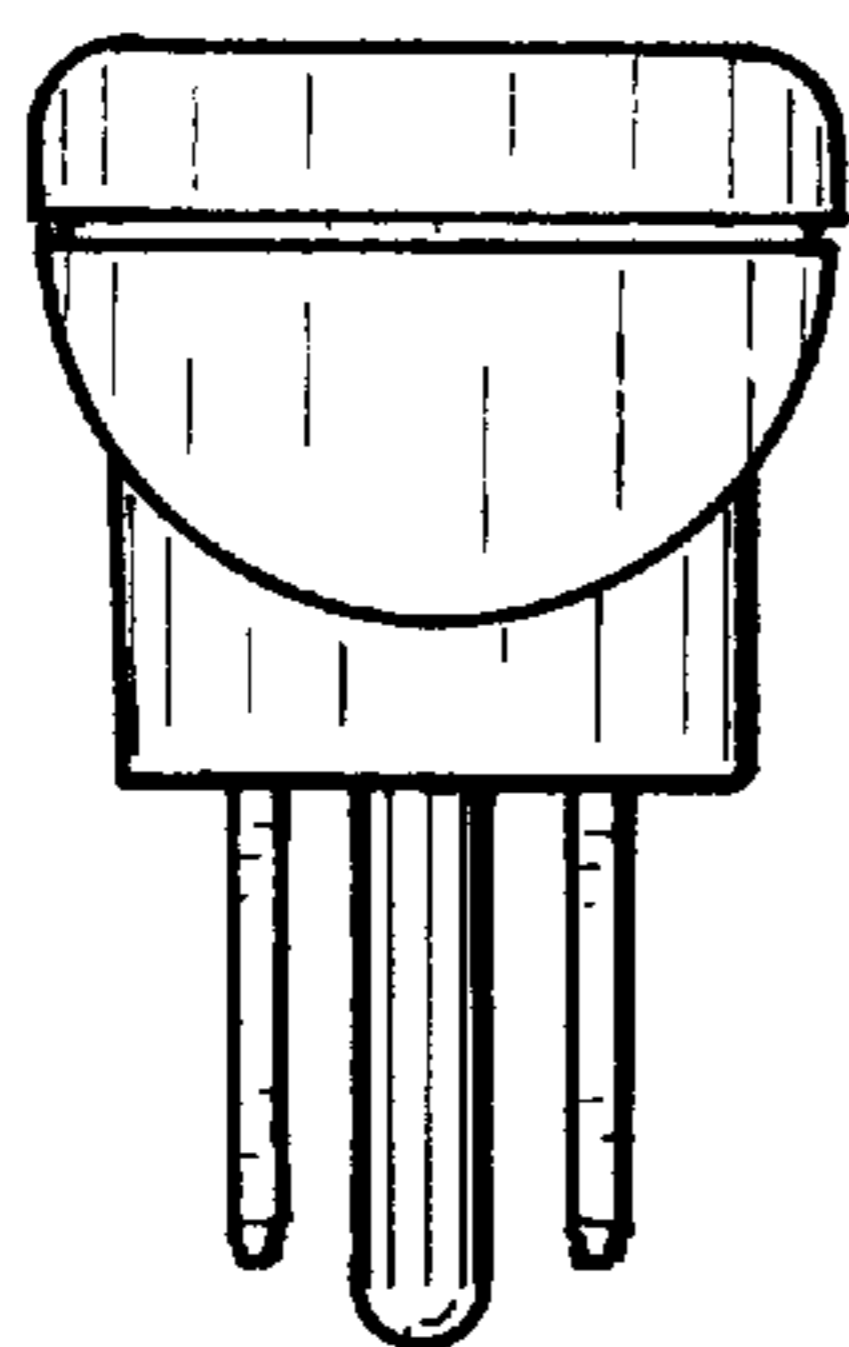


FIG. 3

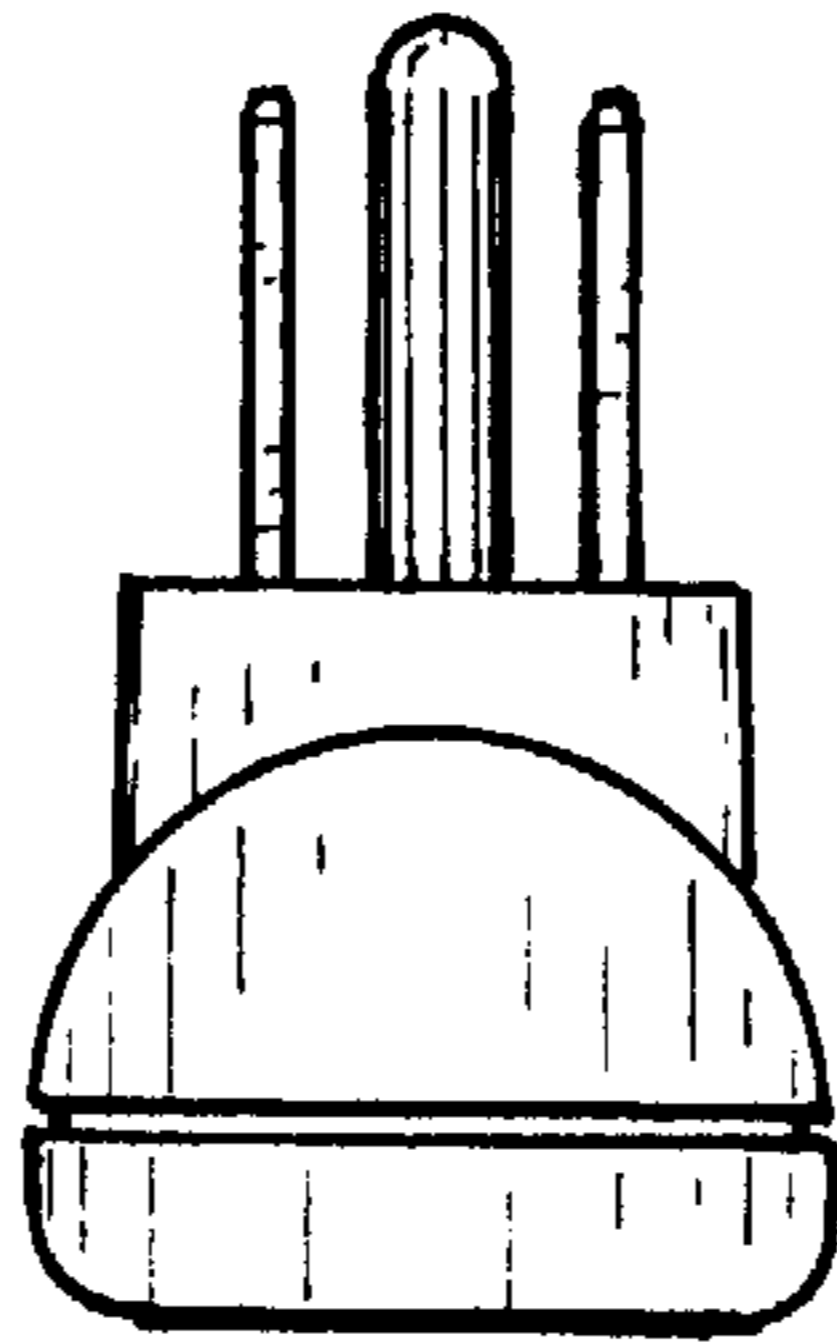


FIG. 4

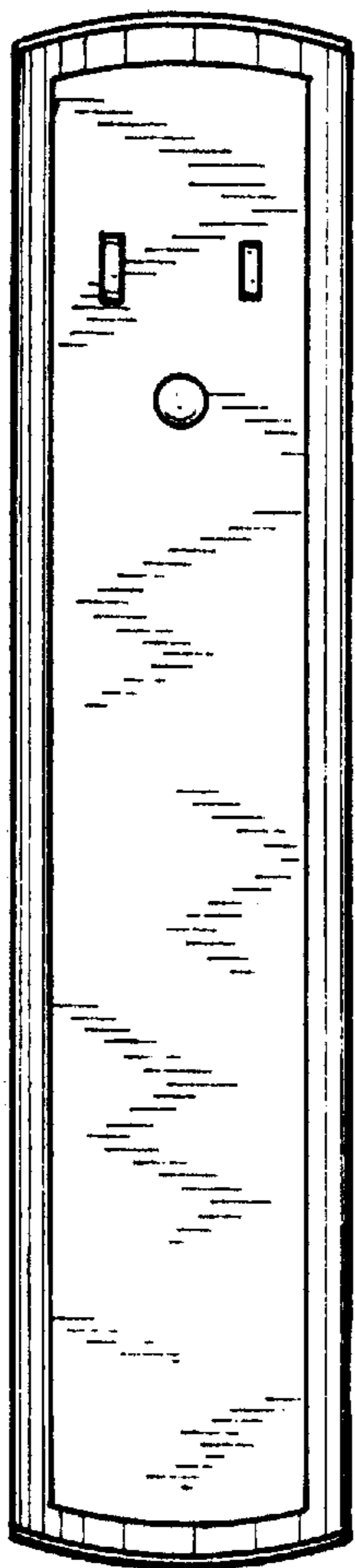


FIG. 5

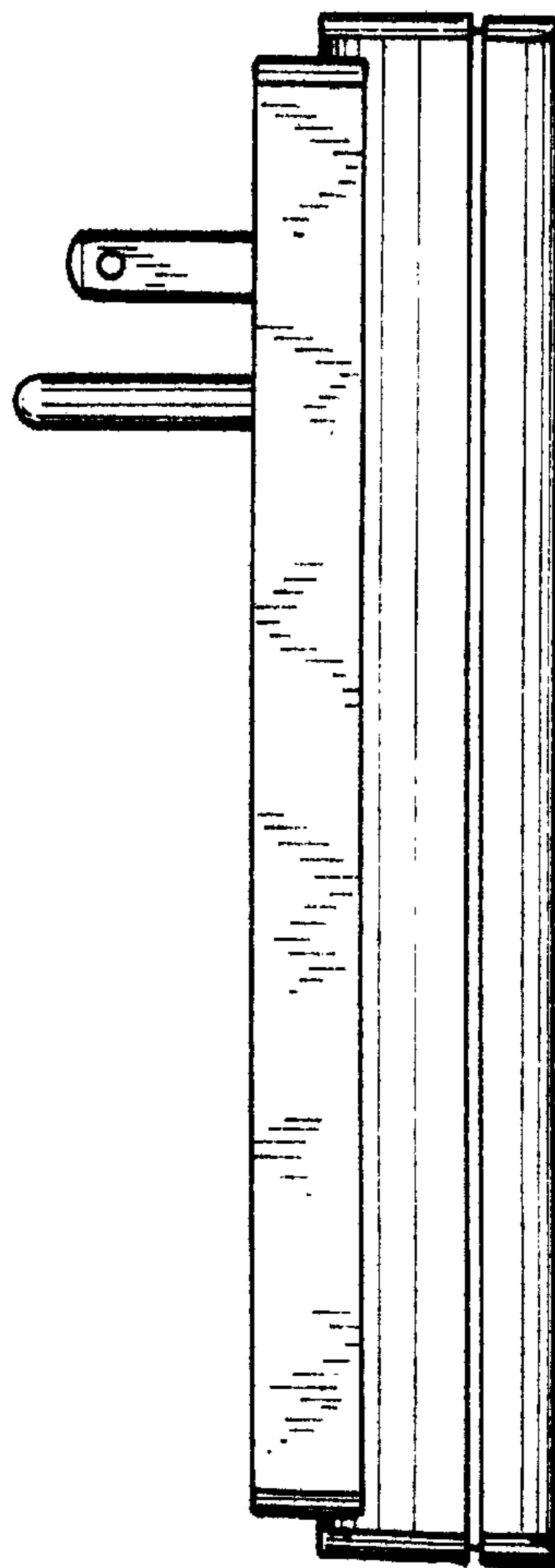


FIG. 6

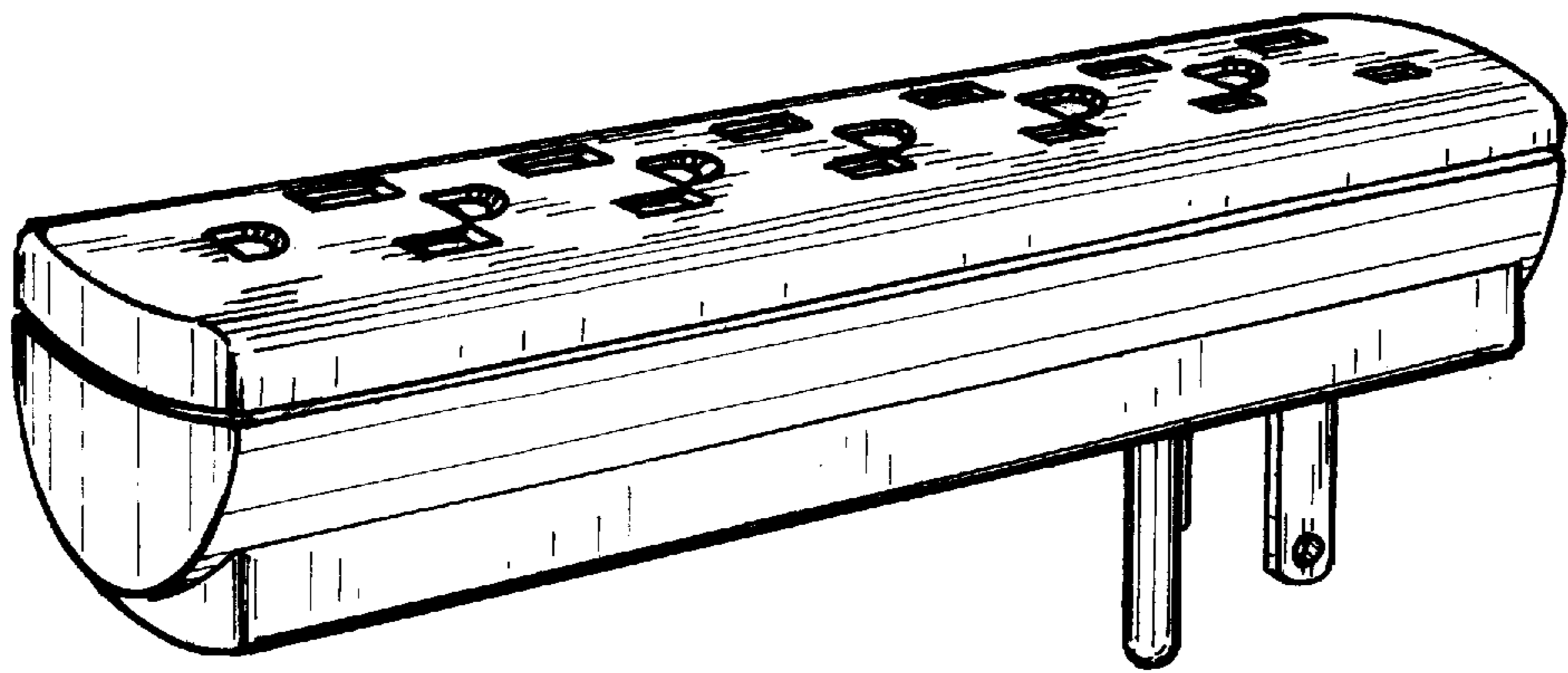


FIG. 7