



US00D401218S

United States Patent [19]

[11] **Patent Number: Des. 401,218**

Brorsson et al.

[45] **Date of Patent: **Nov. 17, 1998**

[54] **POWER CONNECTOR**

[75] Inventors: **Lena Charlott Brorsson**, Lund; **Jan Gustav Atterklint**, Skärholmen; **Sven Ingvar Sjöqvist**, Tullinge, all of Sweden; **Jacobus Nicolaas Tuin**, Best, Netherlands; **Carl-Magnus Hansson**, Lund, Sweden

[73] Assignee: **Telefonaktiebolaget LM Ericsson**, Stockholm, Sweden

[**] Term: **14 Years**

[21] Appl. No.: **60,692**

[22] Filed: **Oct. 4, 1996**

[30] **Foreign Application Priority Data**

Apr. 4, 1996 [SE] Sweden 96-0772

[51] **LOC (6) Cl.** **13-03**

[52] **U.S. Cl.** **D13/133**

[58] **Field of Search** D13/133, 146, D13/147; 439/133, 135, 600, 606-610, 655, 668, 687, 692, 696, 699.1, 344, 357

[56] **References Cited**

U.S. PATENT DOCUMENTS

D. 299,641	1/1989	Rossum, Jr.	D13/133
D. 325,724	4/1992	Satzger et al.	D13/146
5,360,351	11/1994	Periou et al.	439/357

Primary Examiner—Alan P. Douglas
Assistant Examiner—Lavone D. Tabor
Attorney, Agent, or Firm—Burns, Doane, Swecker & Mathis, L.L.P.

[57] **CLAIM**

The ornamental design for a power connector, as shown and described.

DESCRIPTION

FIG. 1 is a front, top perspective view of an audio connector showing our new design; FIG. 2 is a rear, bottom, perspective view thereof; FIG. 3 is perspective view like FIG. 1 but with the locking spring removed for clarity of illustration only; and, FIG. 4 is a rear, bottom perspective view of FIG. 3.

1 Claim, 2 Drawing Sheets

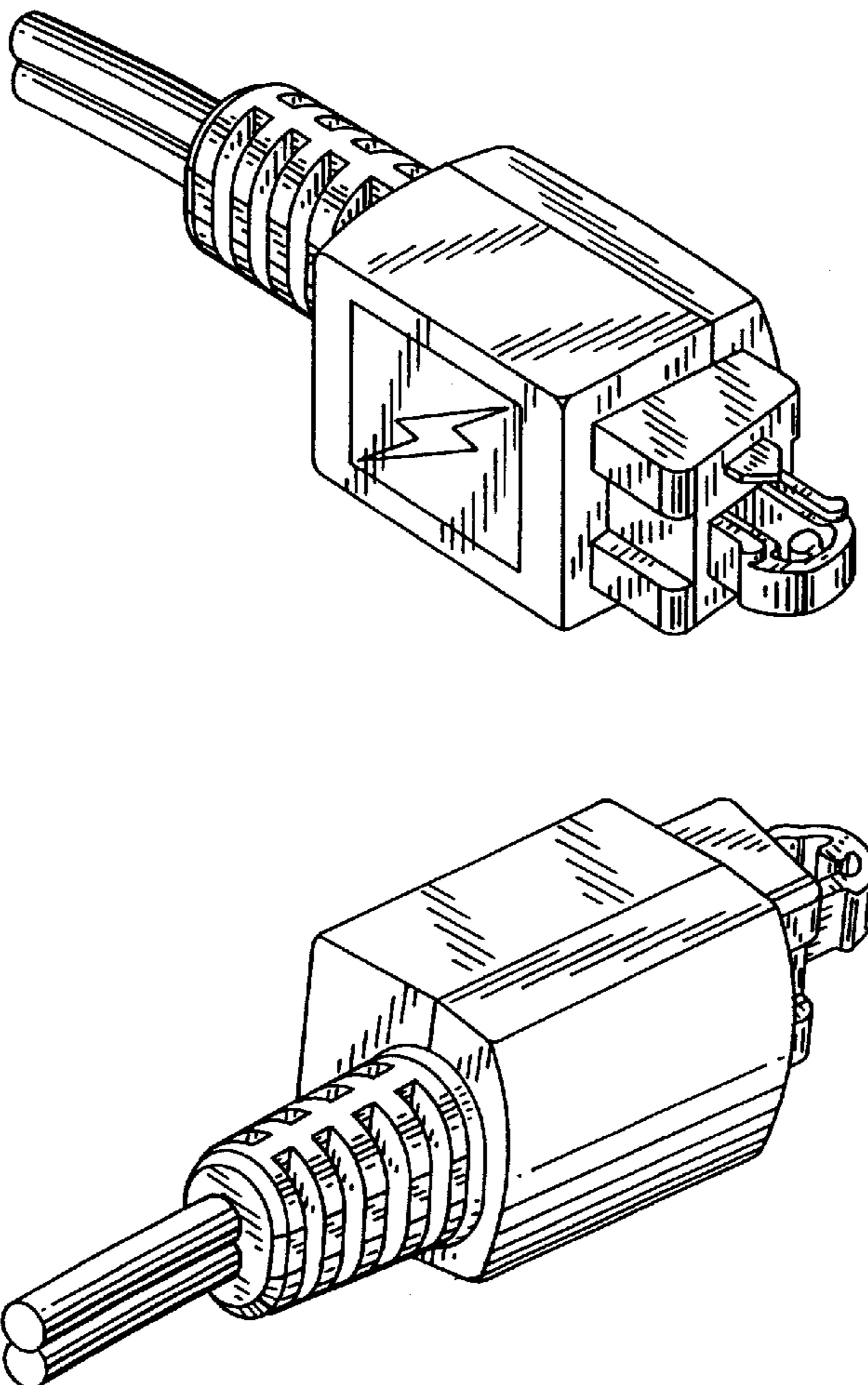


FIG. 1

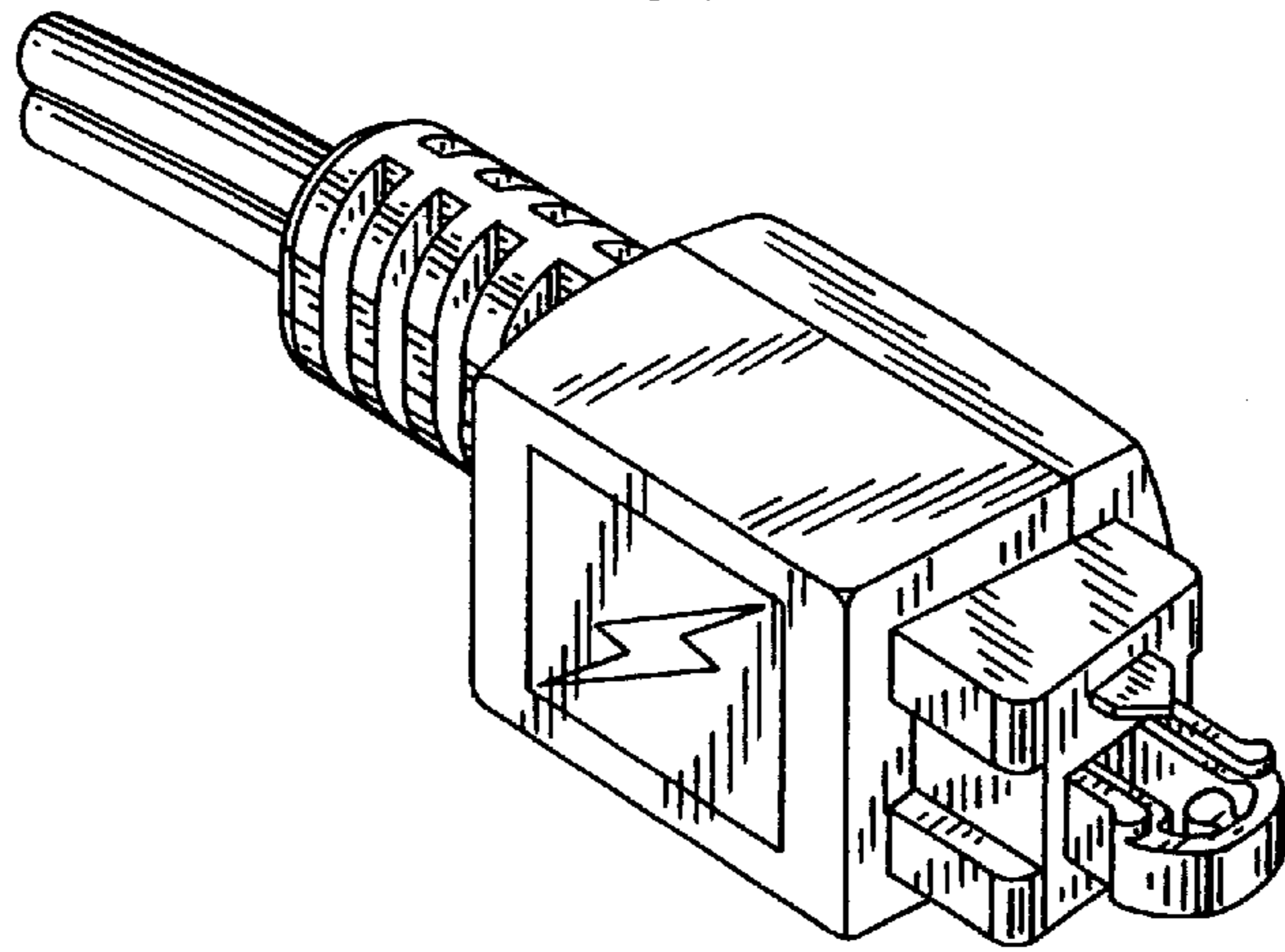


FIG. 2

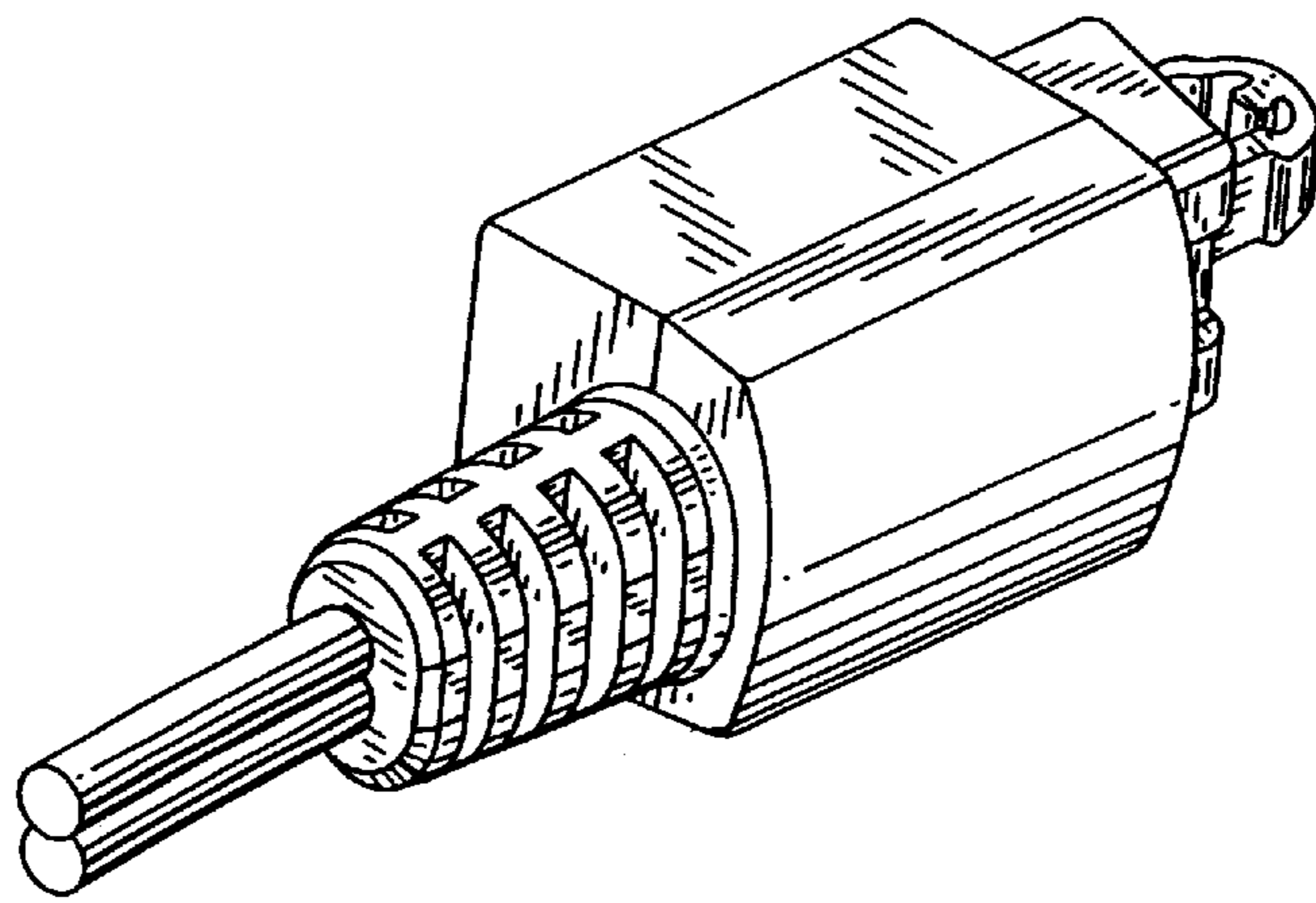


FIG. 3

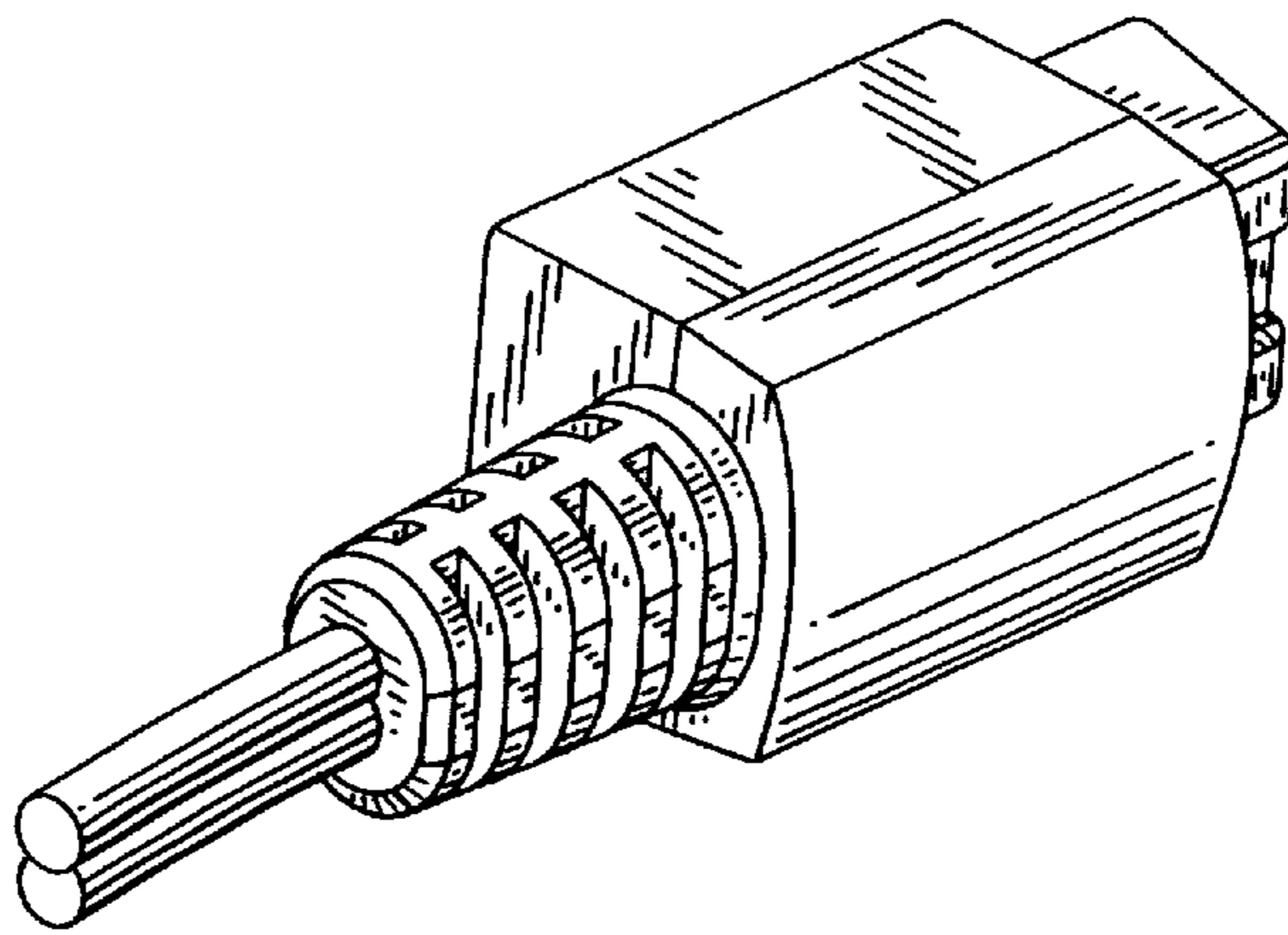
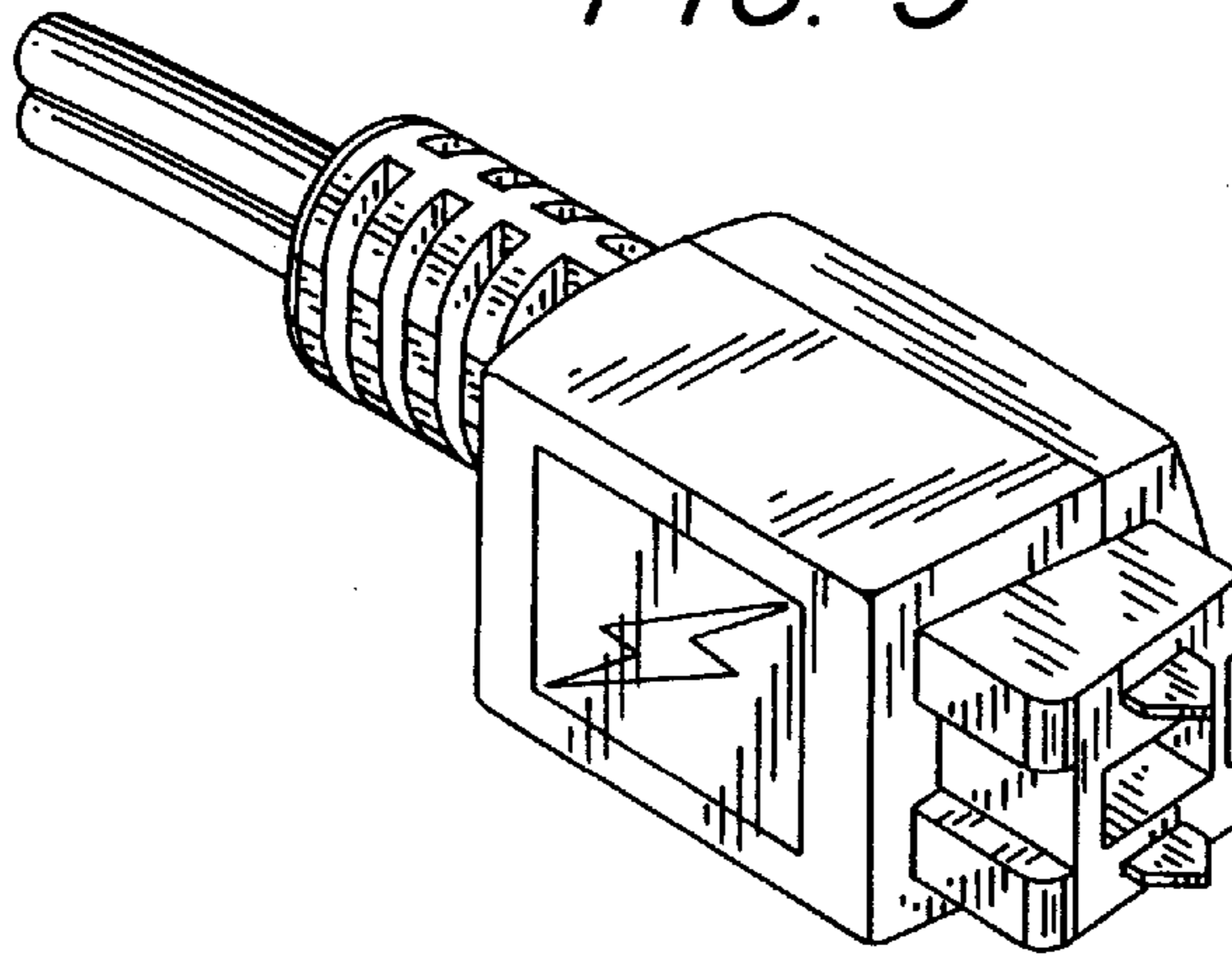


FIG. 4