



US00D401217S

United States Patent [19]
Wirth

[11] **Patent Number: Des. 401,217**

[45] **Date of Patent: **Nov. 17, 1998**

[54] **BATTERY DISCONNECT SWITCH**

D. 331,041 11/1992 Fountain D13/120
4,591,675 5/1986 Sessum 200/52 R

[75] Inventor: **Steven E. Wirth**, Bloomington, Minn.

Primary Examiner—Brian N. Vinson
Attorney, Agent, or Firm—Roger W. Jensen

[73] Assignee: **WirthCo Engineering, Inc.**,
Bloomington, Minn.

[57] **CLAIM**

[**] Term: **14 Years**

The ornamental design for a battery disconnect switch, as shown and described.

[21] Appl. No.: **79,001**

DESCRIPTION

[22] Filed: **Nov. 6, 1997**

[51] **LOC (6) Cl.** **13-03**

FIG. 1 is a top view of a battery disconnect switch showing my new design;

[52] **U.S. Cl.** **D13/120; D13/169; D13/175**

FIG. 2 is a right end elevational view thereof;

[58] **Field of Search** D13/120, 169,
D13/175, 158; 200/52 R, 61.7, 553, 554

FIG. 3 is a left end elevational view thereof;

FIG. 4 is a rear elevational view thereof;

FIG. 5 is a front elevational view thereof;

FIG. 6 is a bottom view thereof; and,

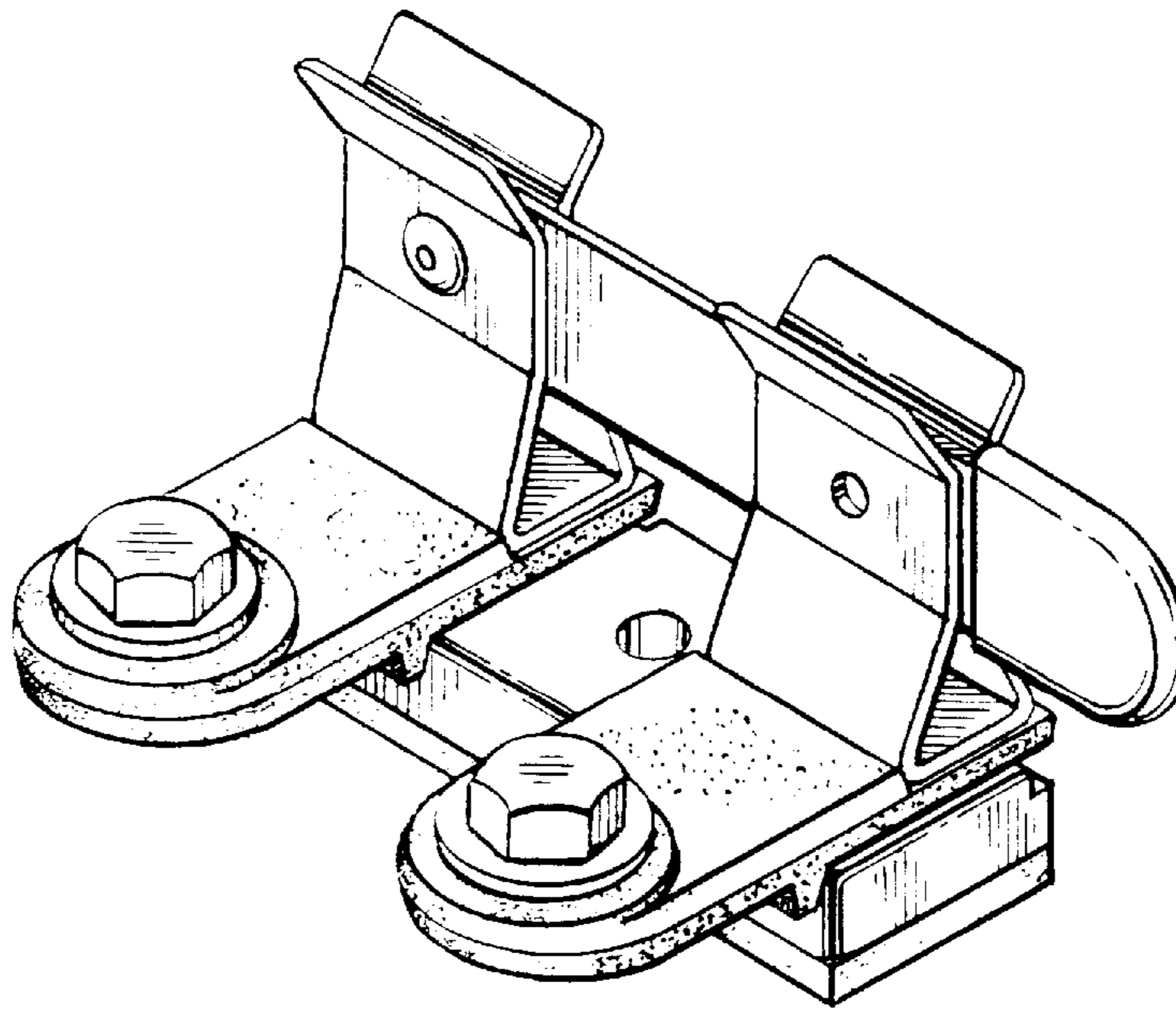
FIG. 7 is a top right perspective view thereof.

[56] **References Cited**

U.S. PATENT DOCUMENTS

D. 299,822 2/1989 Constable et al. D13/158 X

1 Claim, 2 Drawing Sheets



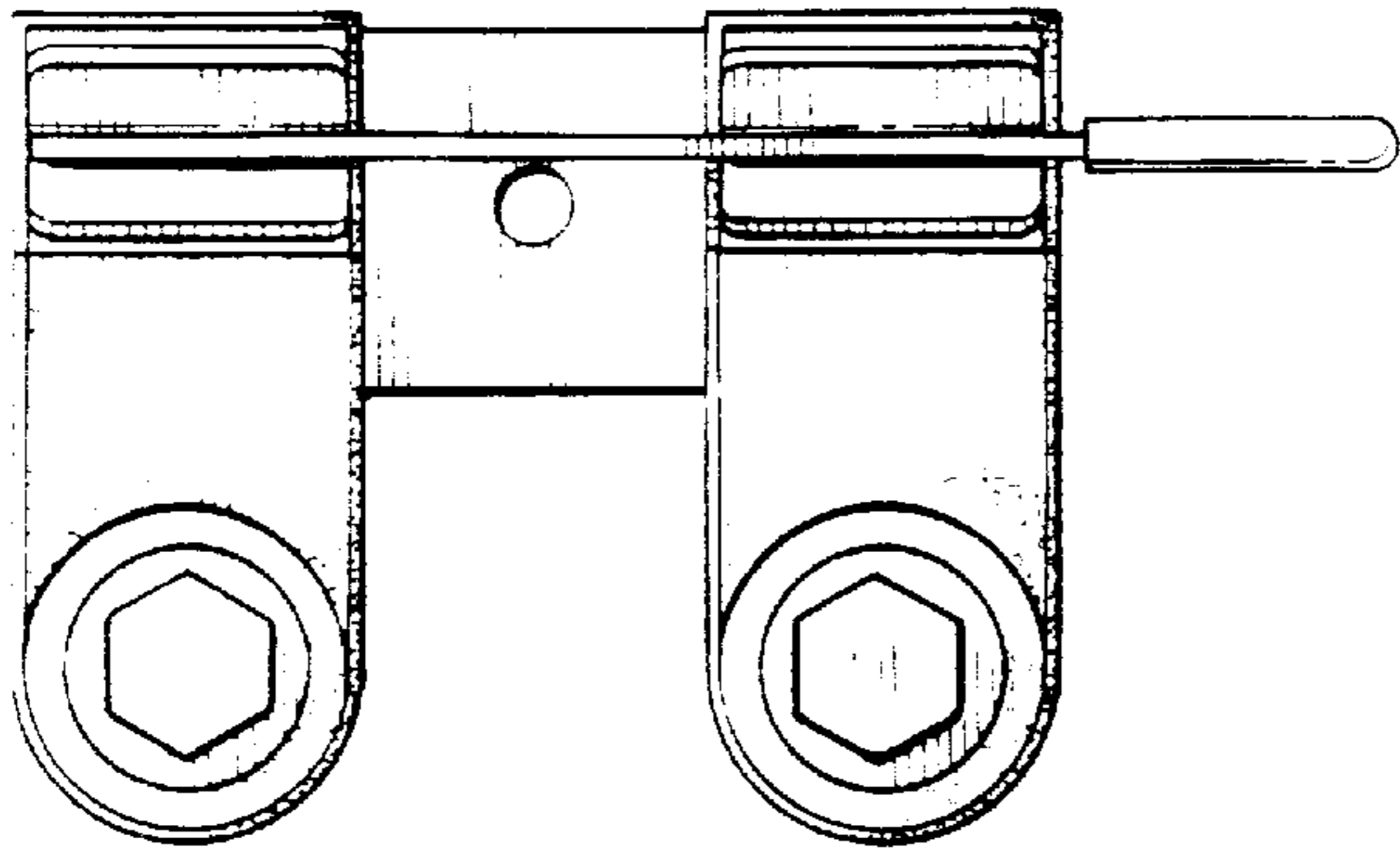


FIG. 1

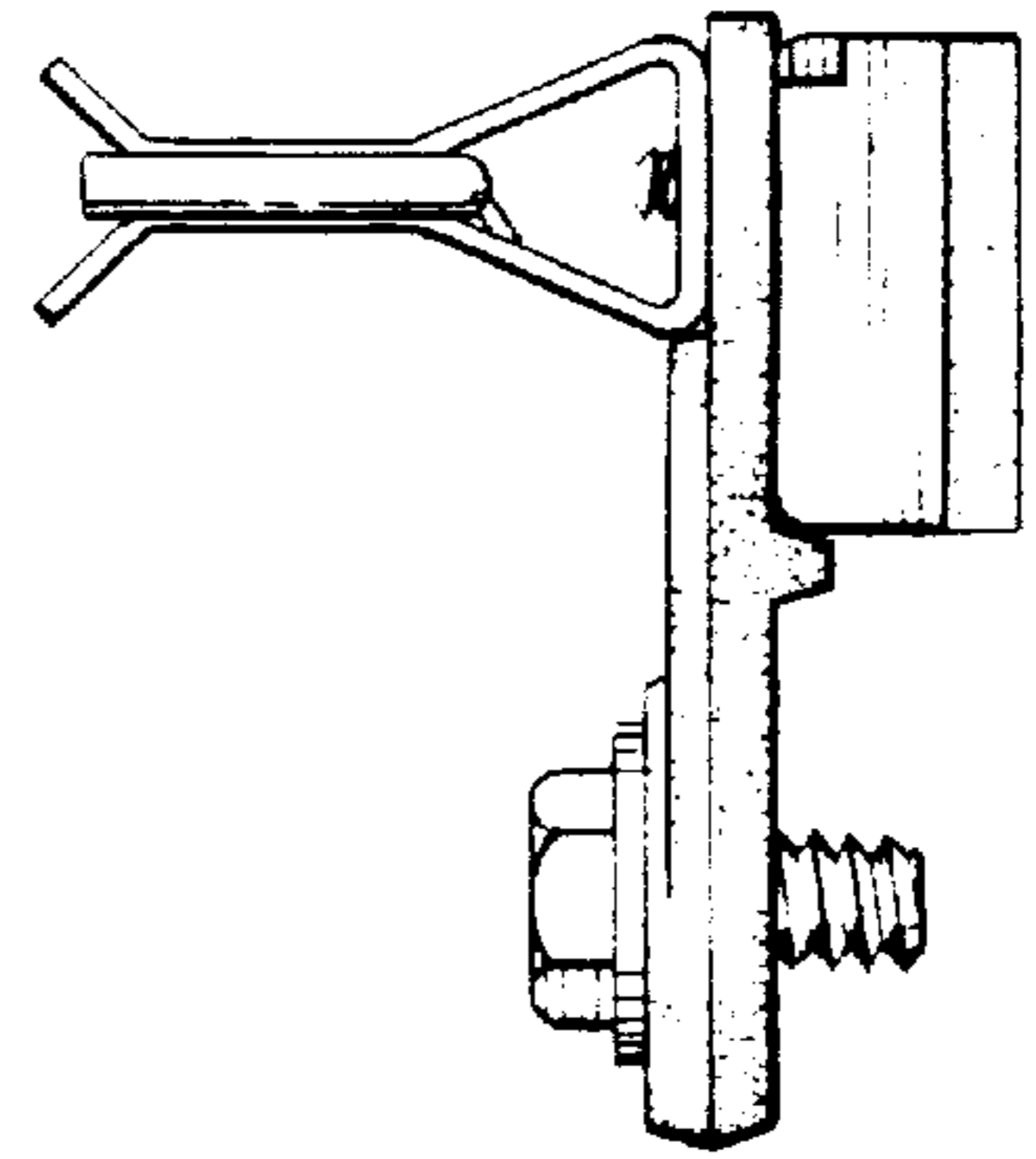


FIG. 2

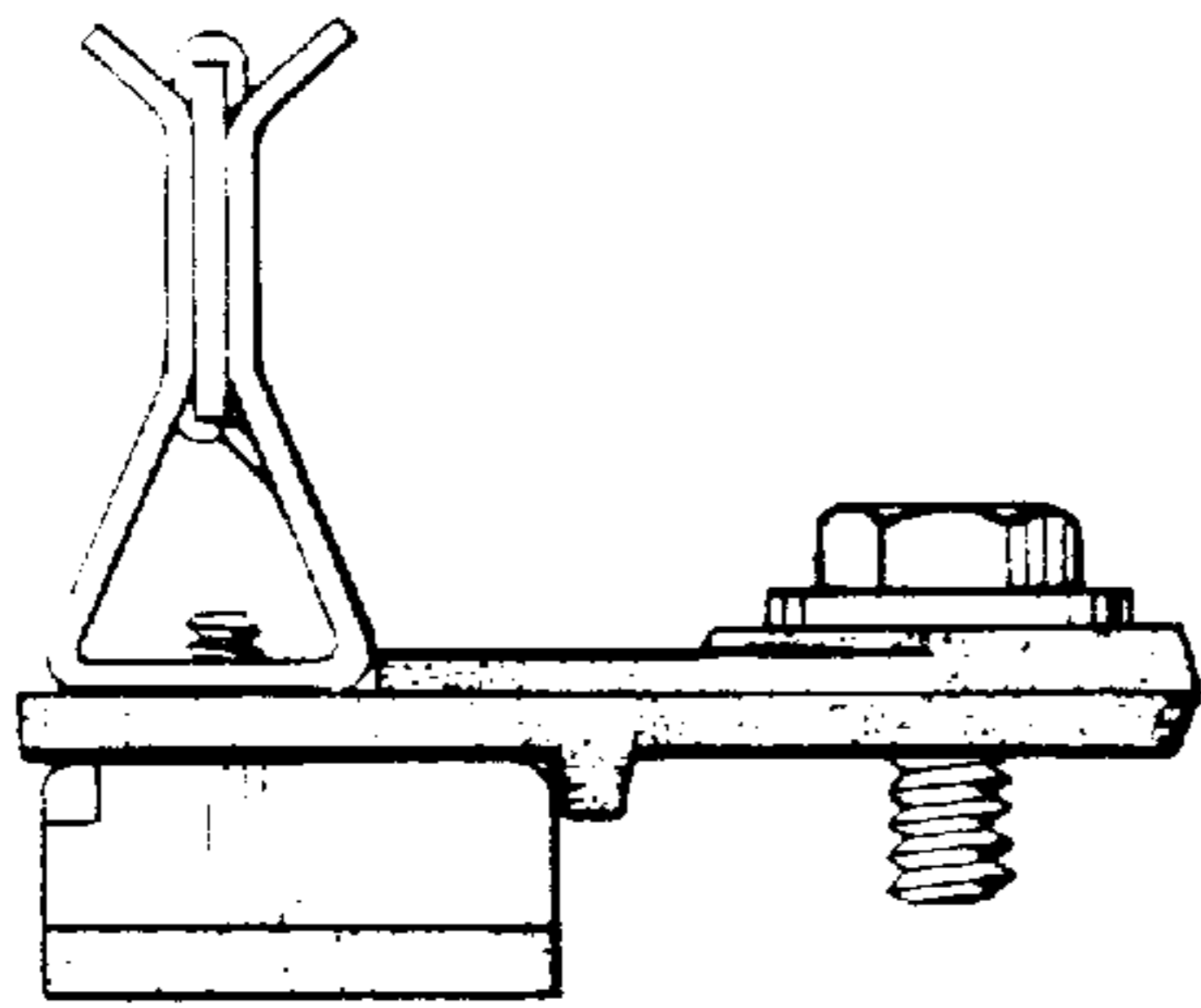


FIG. 3

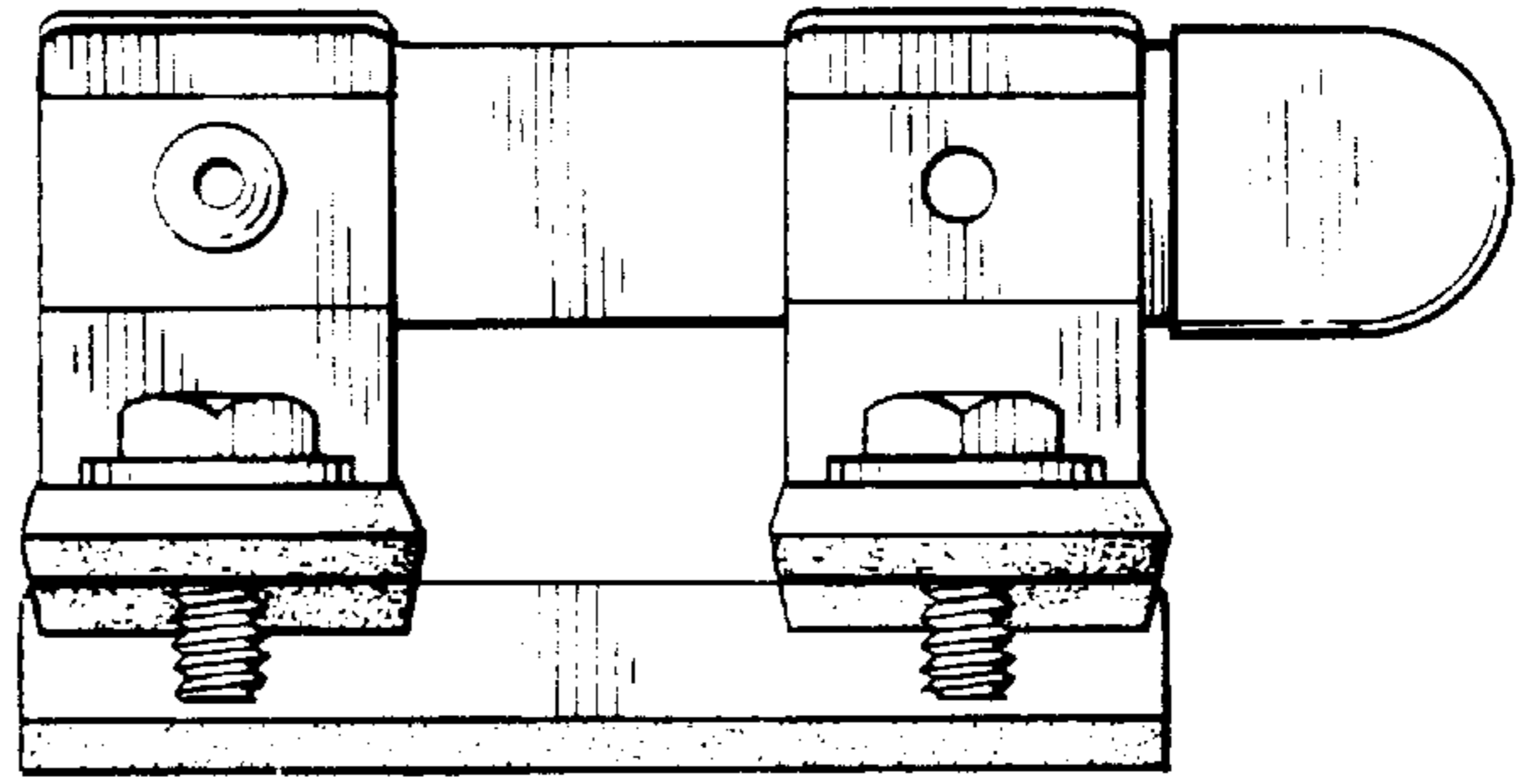


FIG. 5

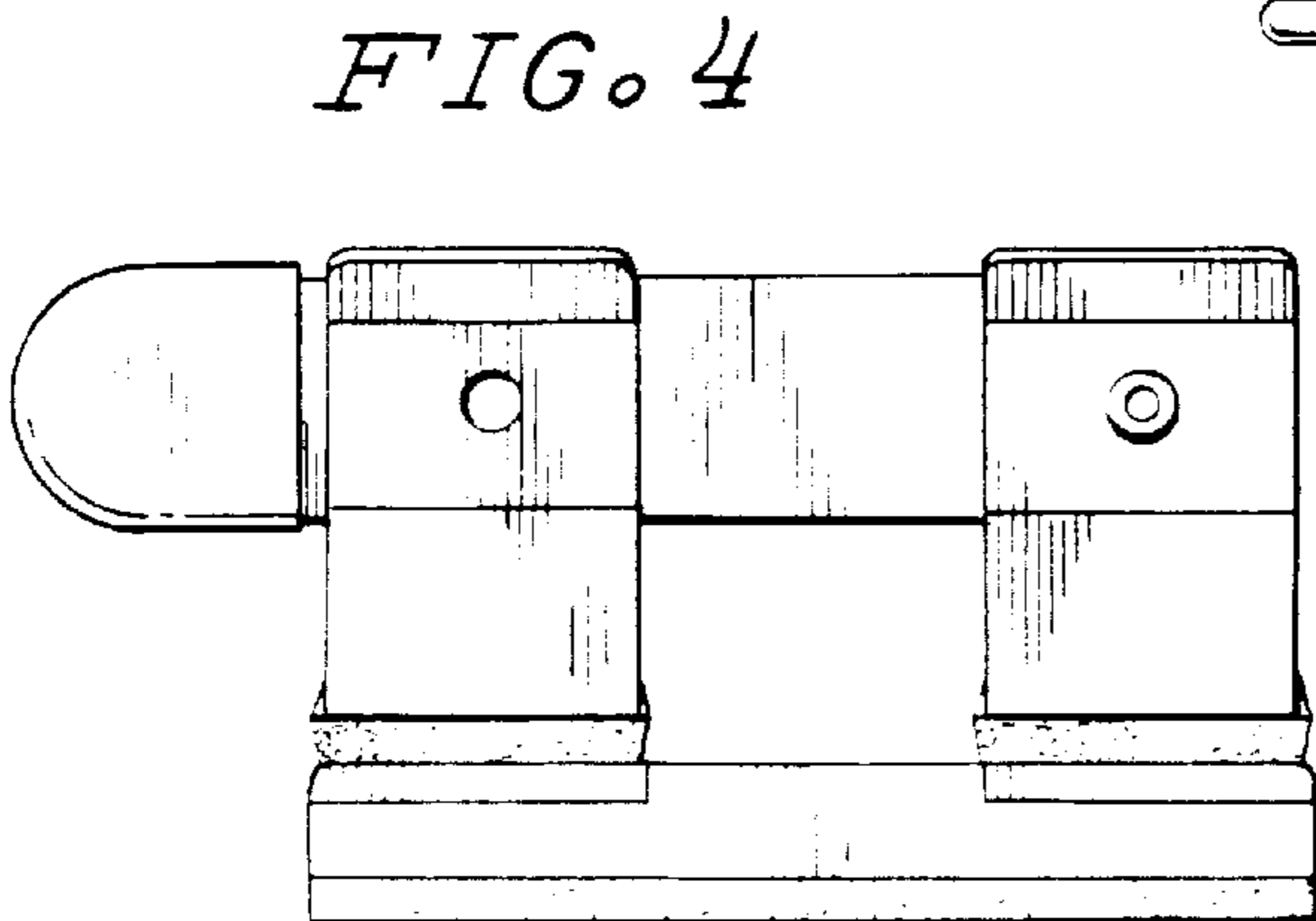


FIG. 4

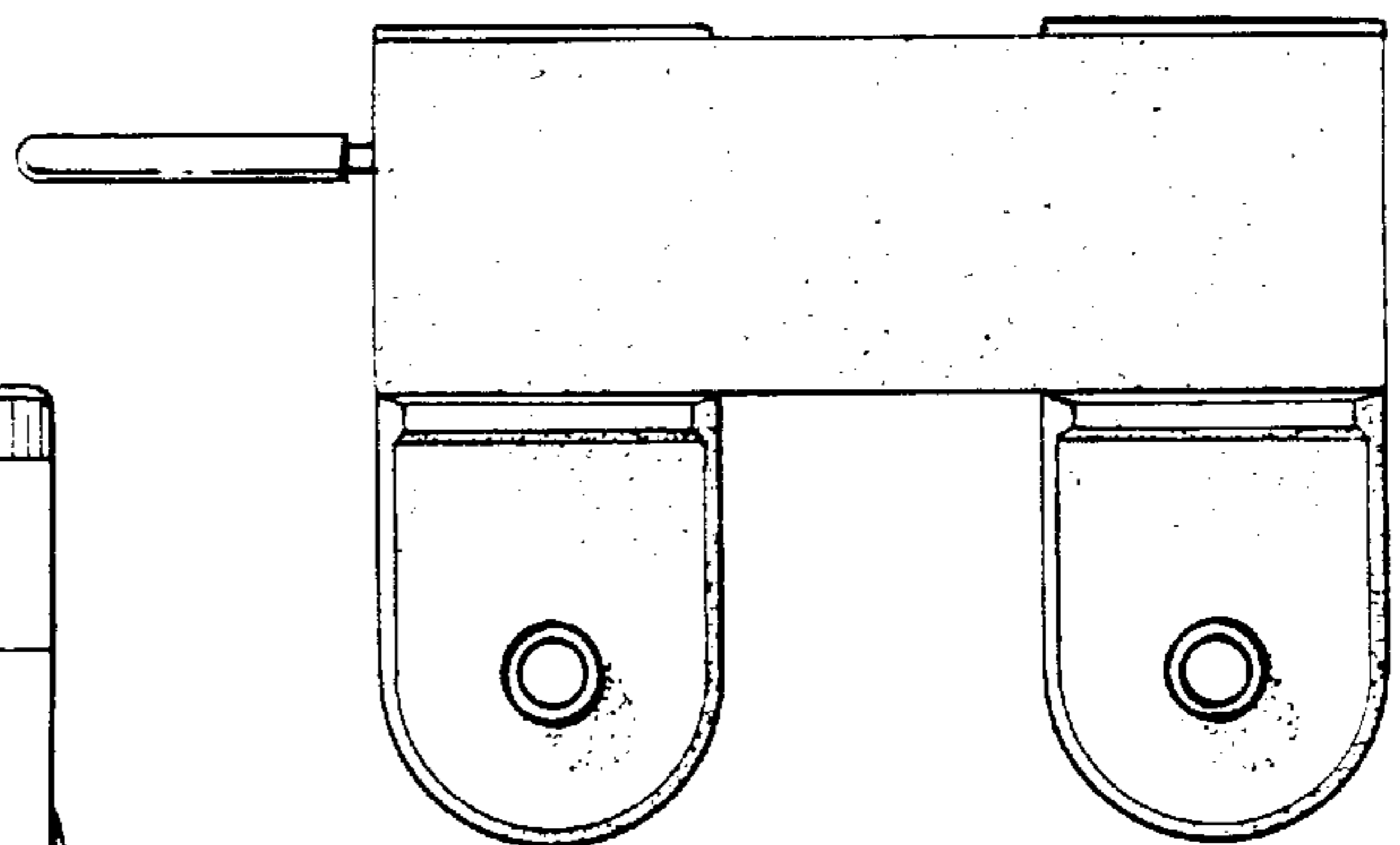


FIG. 6

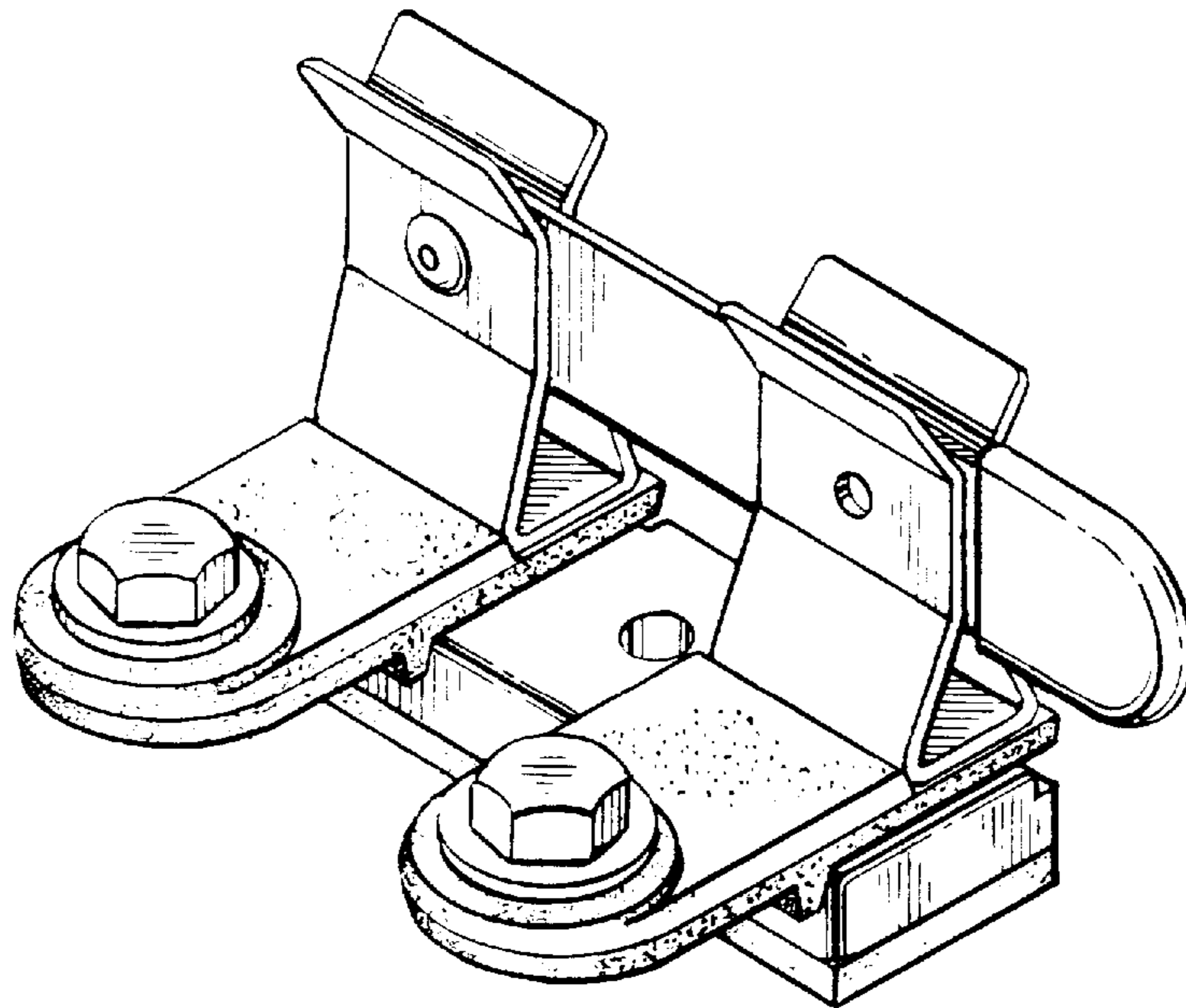


FIG. 7