



US00D401216S

United States Patent [19]

Person et al.

[11] Patent Number: **Des. 401,216**

[45] Date of Patent: ****Nov. 17, 1998**

[54] **POWER CONVERTER**

5,347,211 9/1994 Jakubowski 363/146 X
5,600,550 2/1997 Cook, II 363/58

[75] Inventors: **Edward Andre Person**, Coquitlam;
Jeffrey Romeo Franchini, Burnaby;
Douglas Kenneth Manness, Port
Coquitlam; **William Ernest Fenton**,
Surrey; **Donald Putt**, North Vancouver,
all of Canada

OTHER PUBLICATIONS

Product Brochure—Statpower Technologies Corporation.
PROwatt line of power inverters. Copyright ©1996. Printed
in Canada.

Product Brochure—Statpower Technologies Corporation.
PORTAWATTZ line of power inverters. Copyright ©1996.
Printed in Canada.

Product Brochure—Statpower Technologies Corporation.
PROsine line of power inverters. Copyright ©1995. Printed
in Canada.

[73] Assignee: **Statpower Technologies Corporation**,
Burnaby, Canada

Primary Examiner—Joel Sincavage

Attorney, Agent, or Firm—Fulbright & Jaworski L.L.P.

[**] Term: **14 Years**

[21] Appl. No.: **70,125**

[22] Filed: **Apr. 30, 1997**

[57] CLAIM

The ornamental design for power converter, as shown.

[51] LOC (6) Cl. **13-02**

[52] U.S. Cl. **D13/110**

[58] Field of Search D13/110; 363/141,
363/144, 15, 129, 132

DESCRIPTION

FIG. 1 is an isometric view of a power converter bearing the
ornamental design;

FIG. 2 is a top view of the power converter;

FIG. 3 is a left hand side view of the power converter;

FIG. 4 is a bottom view of the power converter;

FIG. 5 is a right hand side view of the power converter;

FIG. 6 is a front end view of the power converter; and,

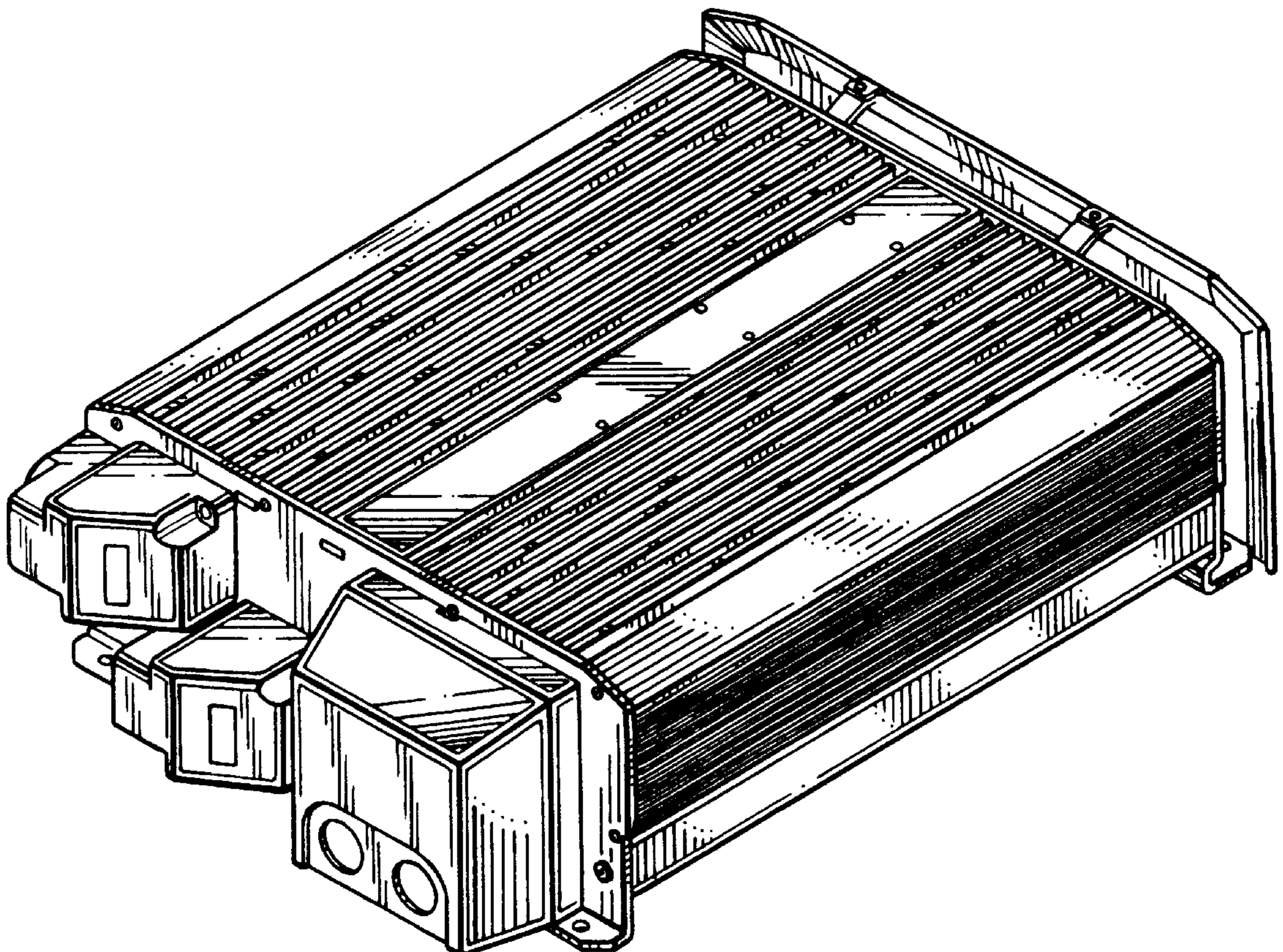
FIG. 7 is a rear end view of the powder converter.

[56] References Cited

U.S. PATENT DOCUMENTS

D. 39,482	8/1908	Hunziker	D13/110
D. 356,996	4/1995	Henderson et al.	D13/110
D. 365,082	12/1995	Cook, II et al.	D13/110
D. 387,032	12/1997	Tracewell	D13/110
4,872,102	10/1989	Getter	363/141
5,170,336	12/1992	Getter et al.	363/141
5,293,145	3/1994	Rynkiewicz	336/65

1 Claim, 5 Drawing Sheets



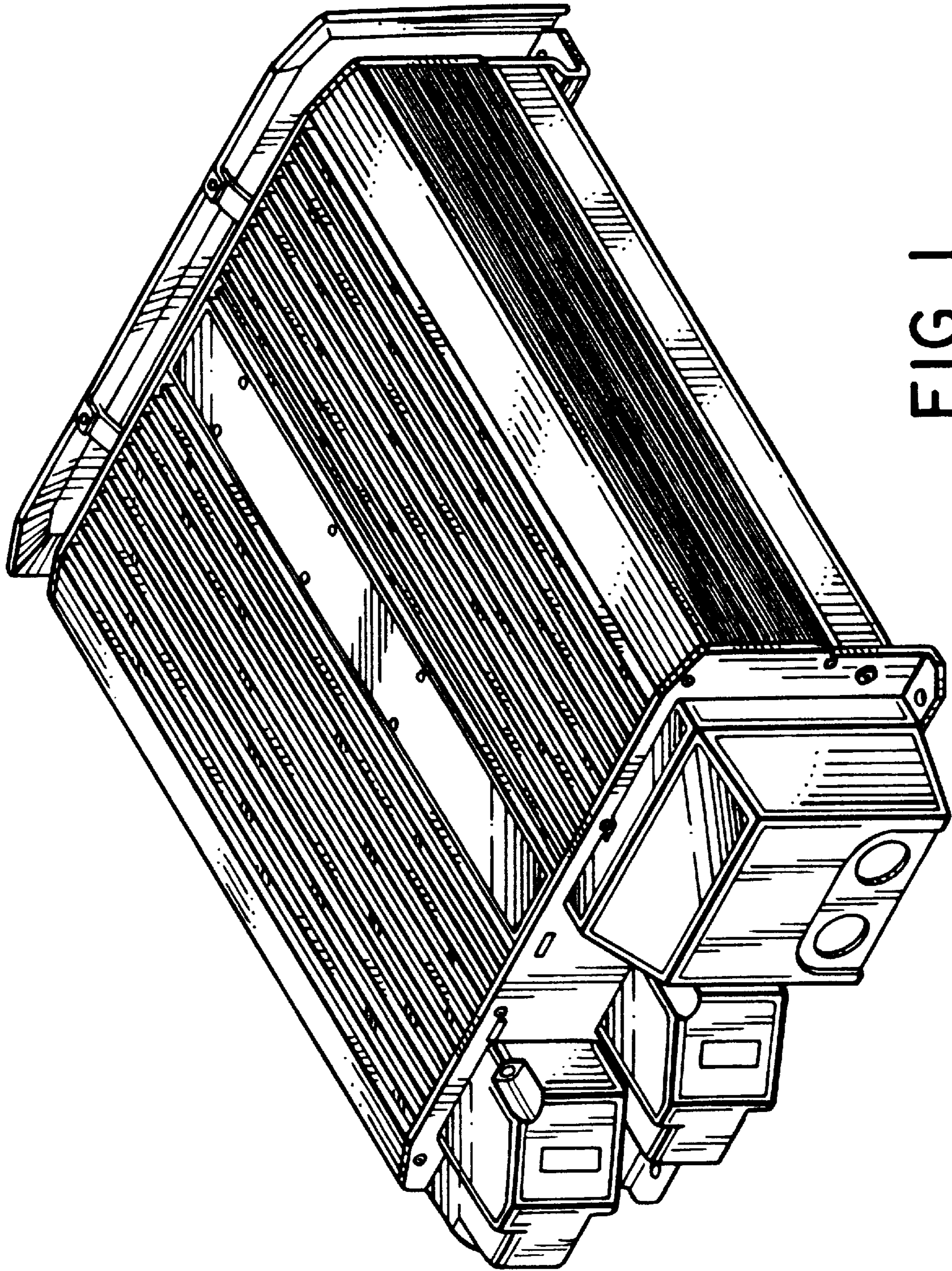


FIG. 1

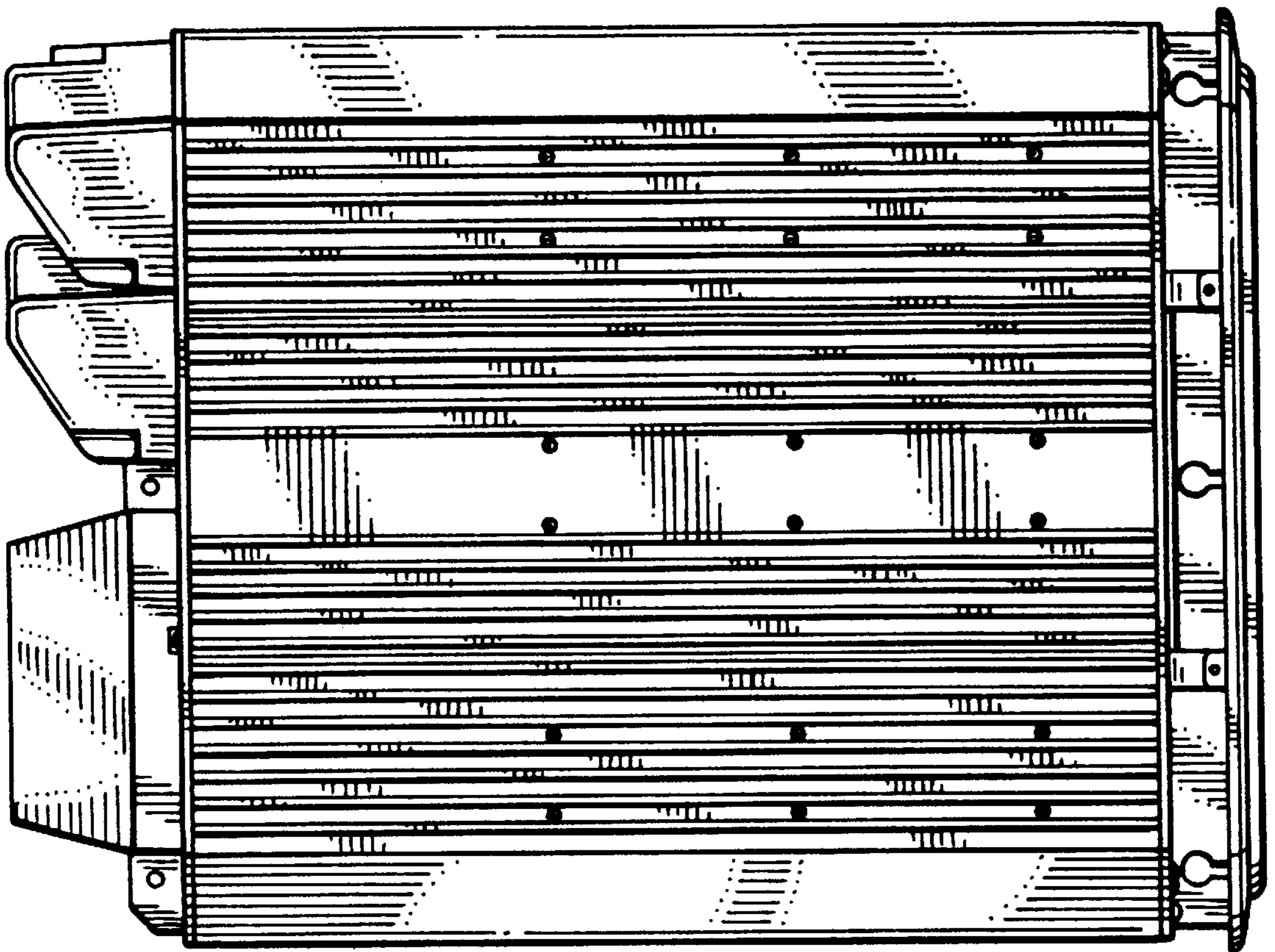


FIG. 2

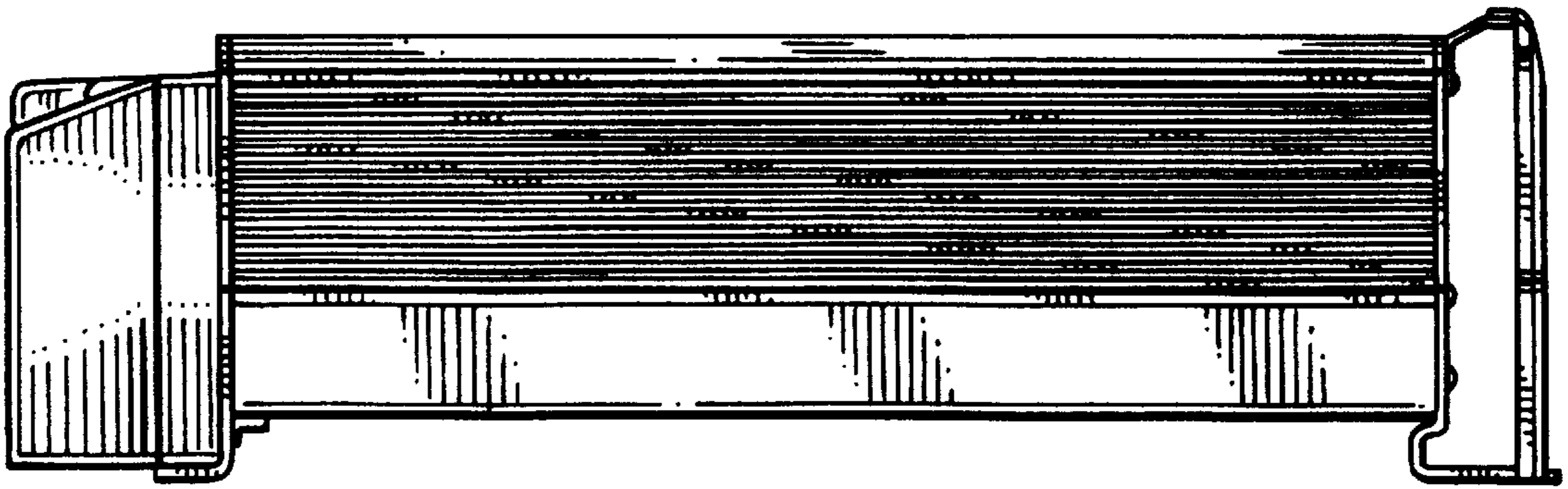


FIG. 3

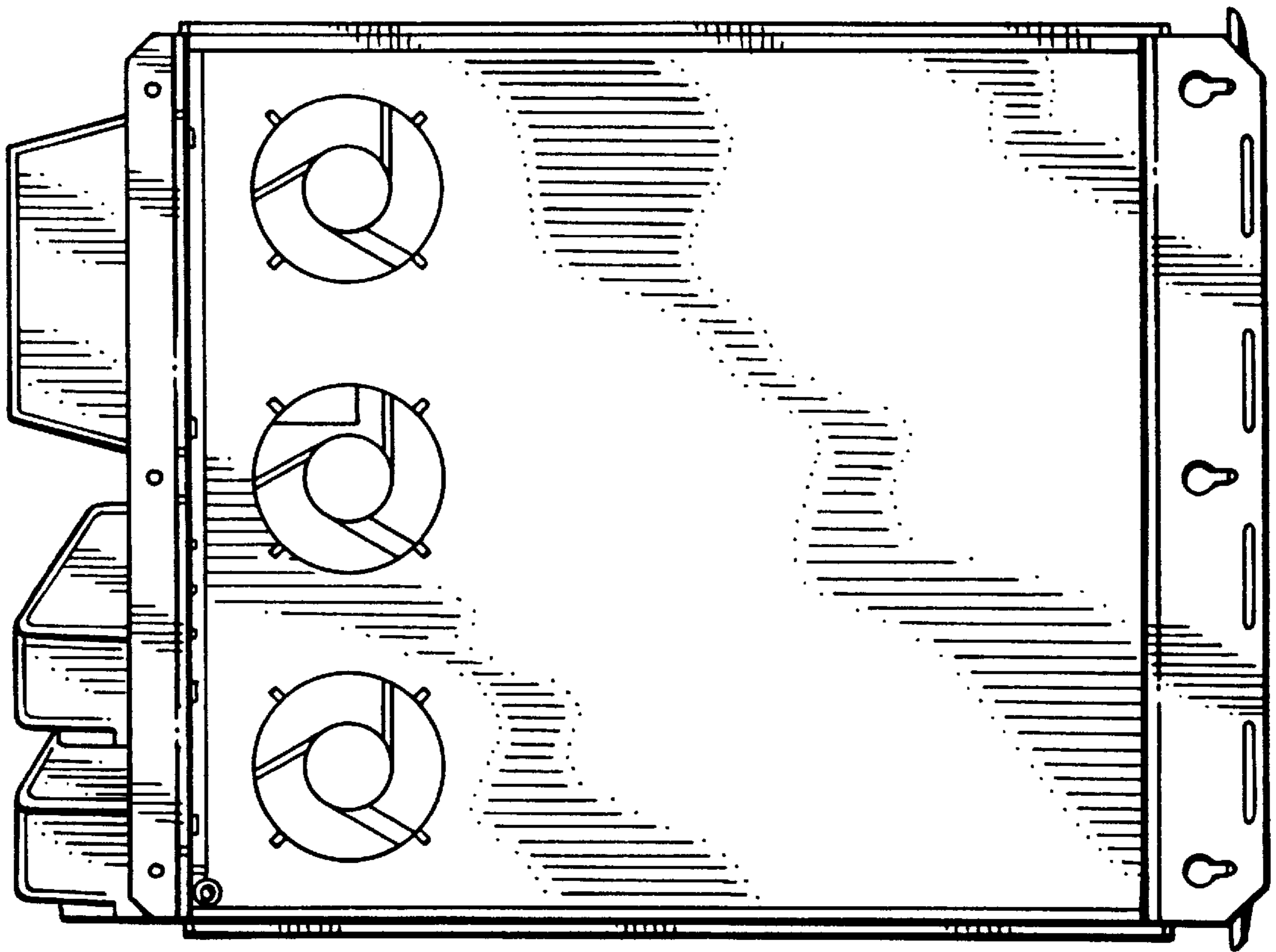


FIG. 4

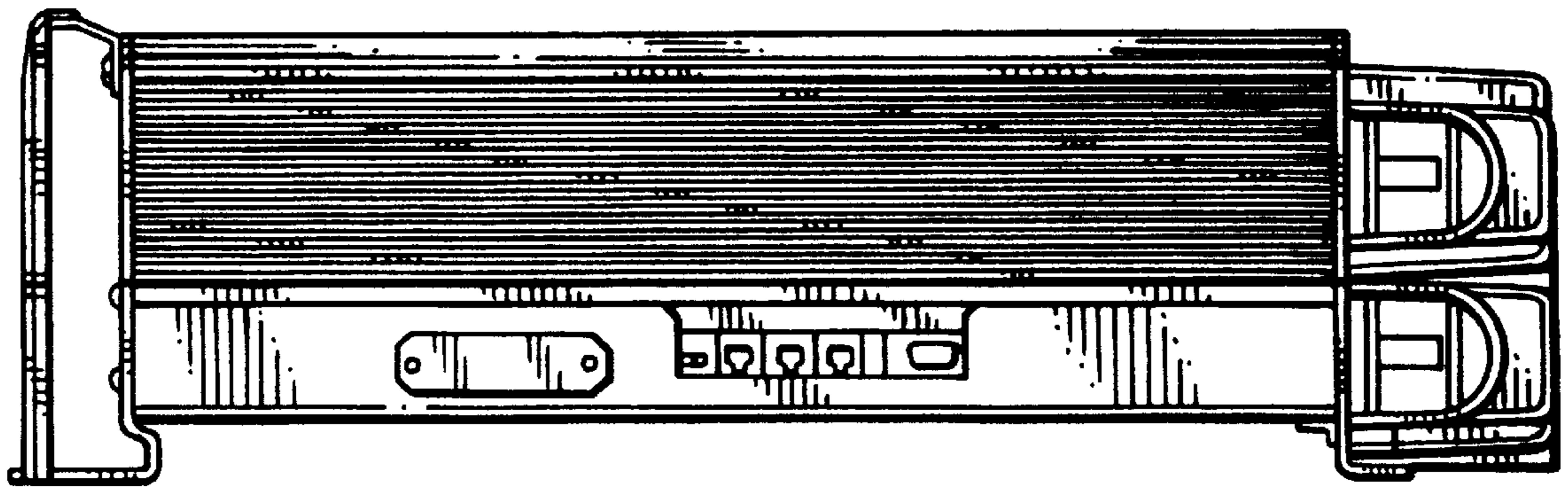


FIG. 5

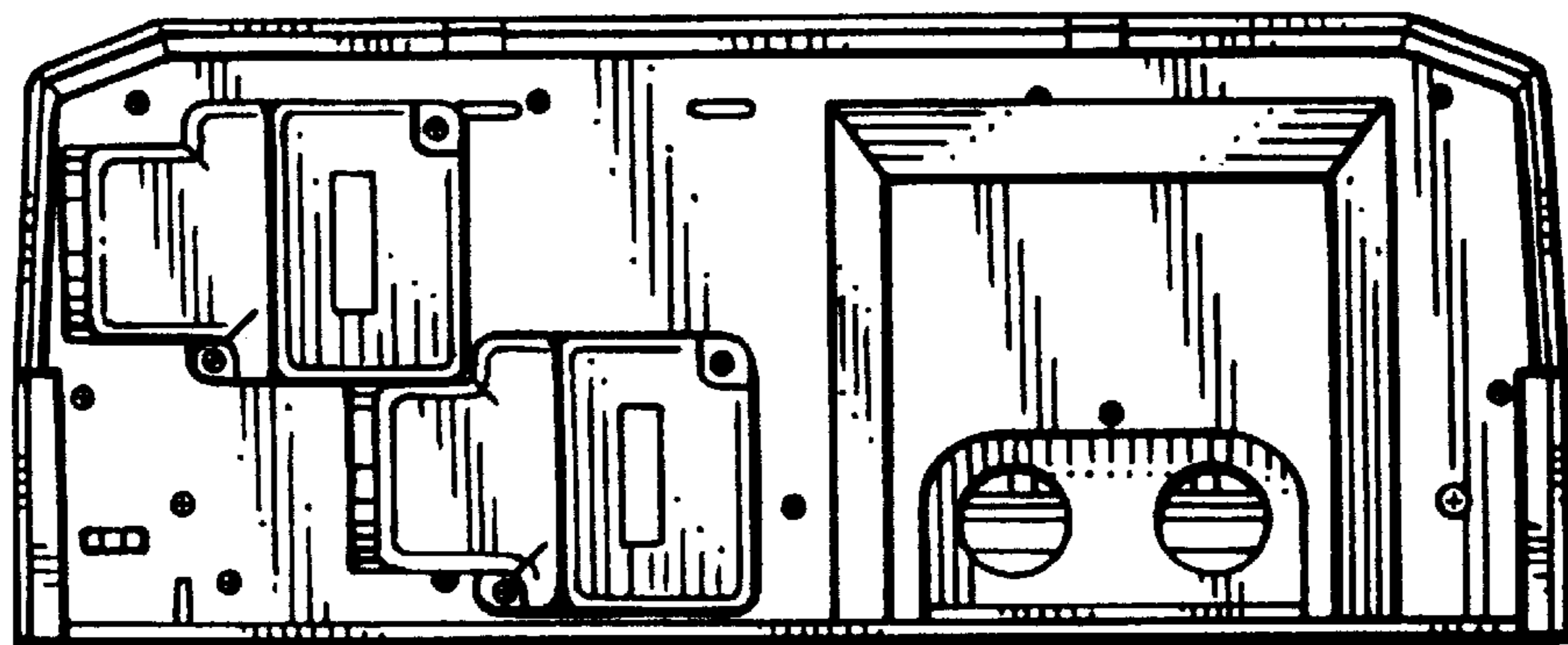


FIG. 6

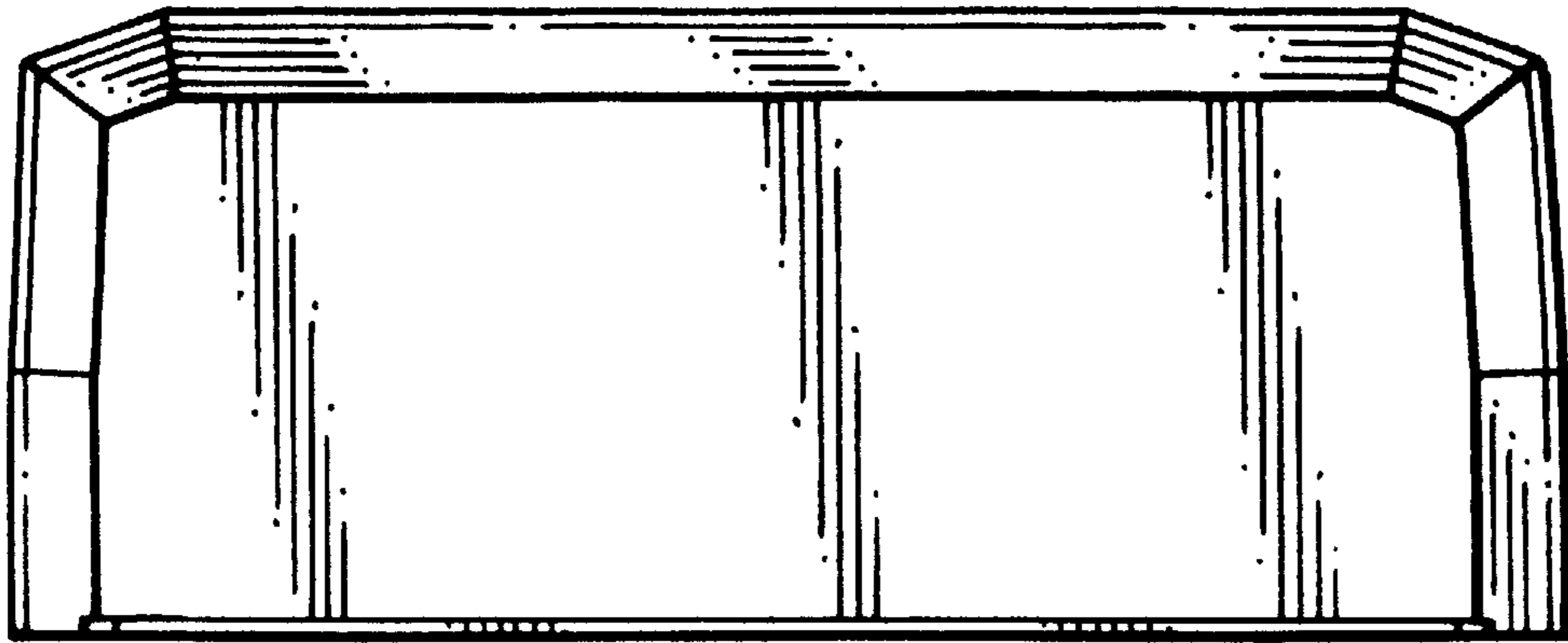


FIG. 7