



US00D401209S

# United States Patent [19] Gaiter

[11] Patent Number: **Des. 401,209**

[45] Date of Patent: **\*\*Nov. 17, 1998**

[54] **VEHICLE FOR USE IN OUTER SPACE AS A SPACE PROBE, PLANETARY ROVER OR SPACESHIP**

5,564,653 10/1996 Ohayon ..... 244/159  
5,716,031 2/1998 Duchon ..... 244/164

[76] Inventor: **Kenneth M. Gaiter**, 680 Lawton St., SW., Apt. 5, Atlanta, Ga. 30310

*Primary Examiner*—Kay H. Chin  
*Attorney, Agent, or Firm*—Bernstein & Associates

[\*\*] Term: **14 Years**

[57] **CLAIM**

[21] Appl. No.: **65,401**

The ornamental design for a vehicle for use in outer space as a probe, planetary rover or spaceship, as shown and described.

[22] Filed: **Jan. 28, 1997**

**DESCRIPTION**

[51] **LOC (6) Cl.** ..... **12-07**

[52] **U.S. Cl.** ..... **D12/320**

[58] **Field of Search** ..... D12/319, 320;  
244/158 R-173, 158 A, 1 R

FIG. 1 is a perspective view of a vehicle for use in outer space as a space probe, planetary rover or spaceship showing my new design;

FIG. 2 is a right side elevation view thereof;

FIG. 3 is a top plan view thereof;

FIG. 4 is a rear elevation view thereof;

FIG. 5 is a front elevation view thereof; and,

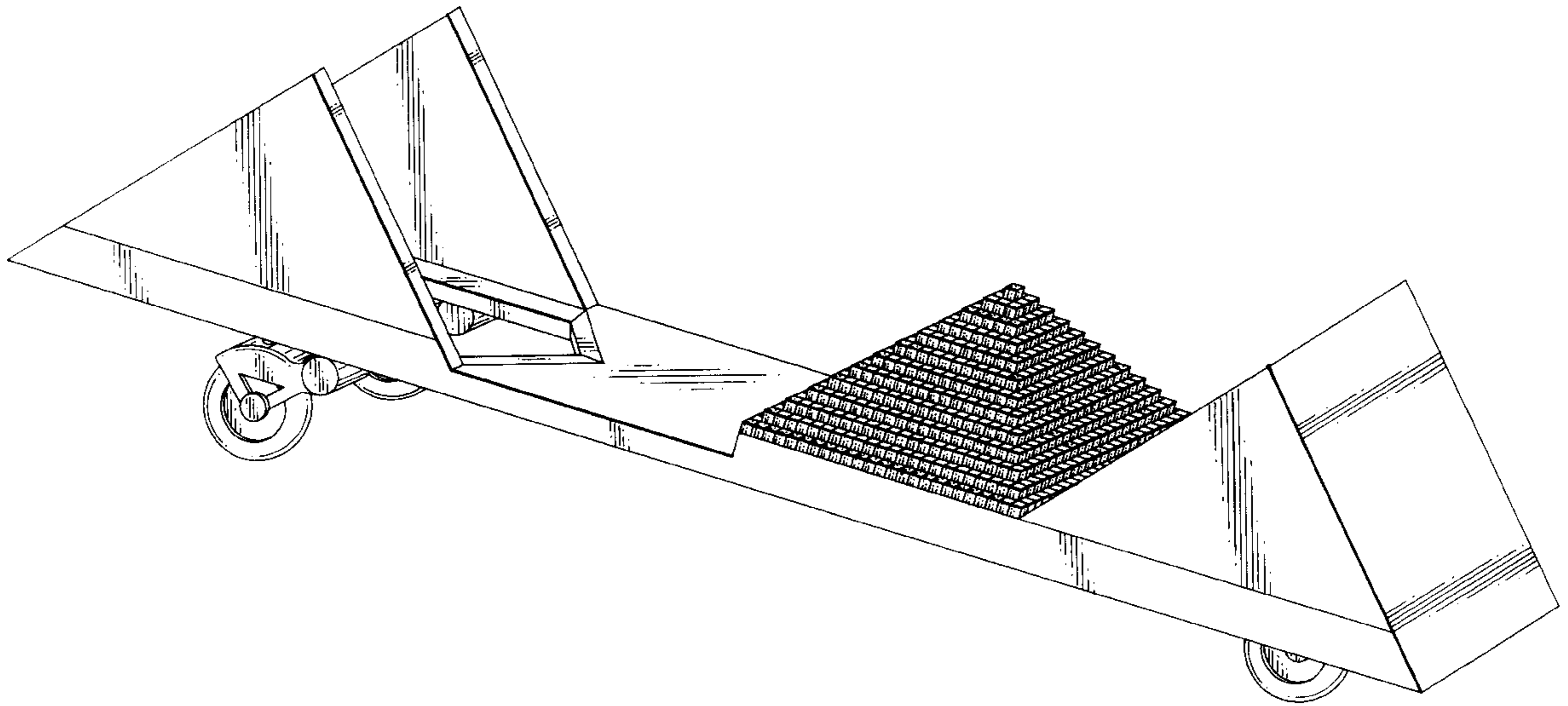
FIG. 6 is a bottom plan view thereof.

[56] **References Cited**

**U.S. PATENT DOCUMENTS**

D. 306,008 2/1990 Hudnall ..... D12/324  
3,558,080 1/1971 Kretz ..... 244/17.11  
3,715,600 2/1973 Fletcher et al. .... 244/159

**1 Claim, 3 Drawing Sheets**



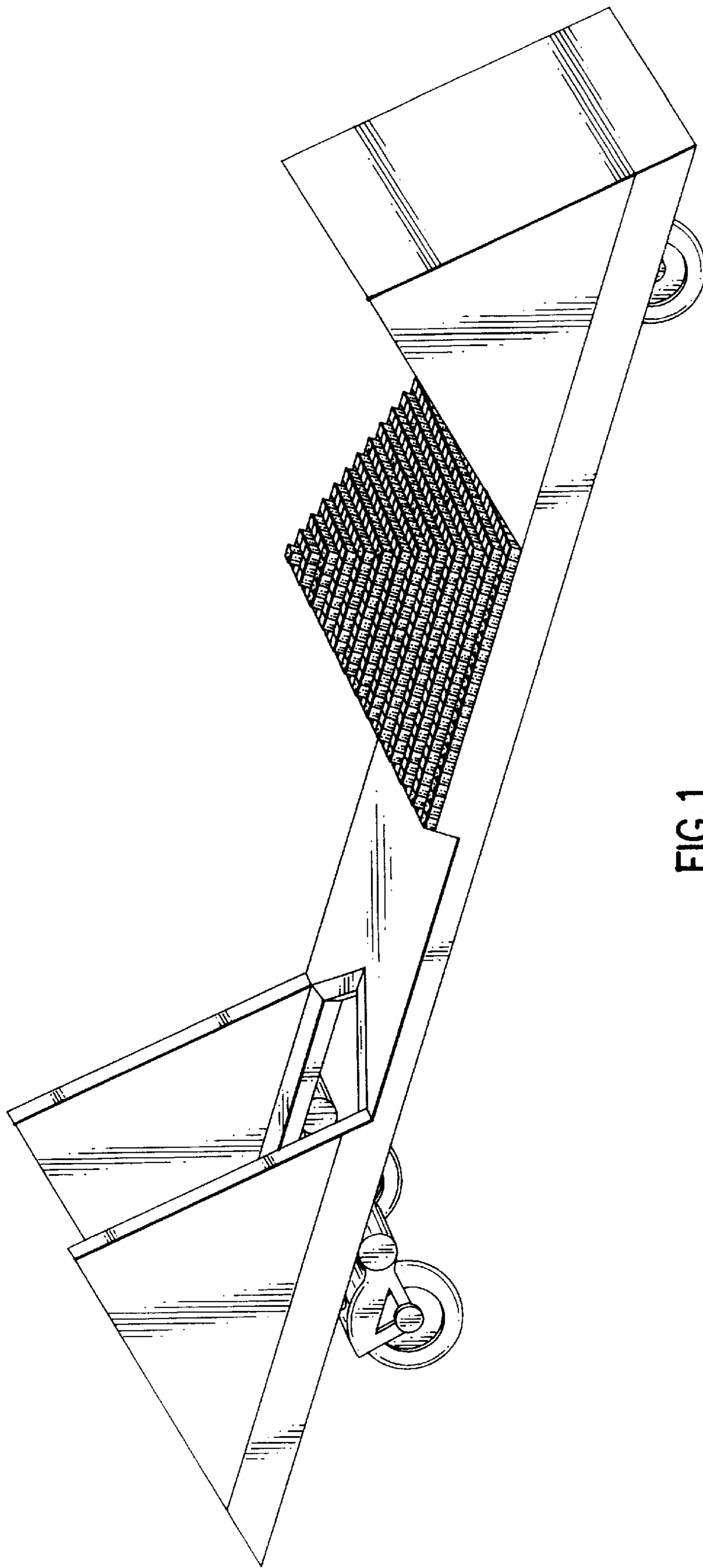


FIG. 1

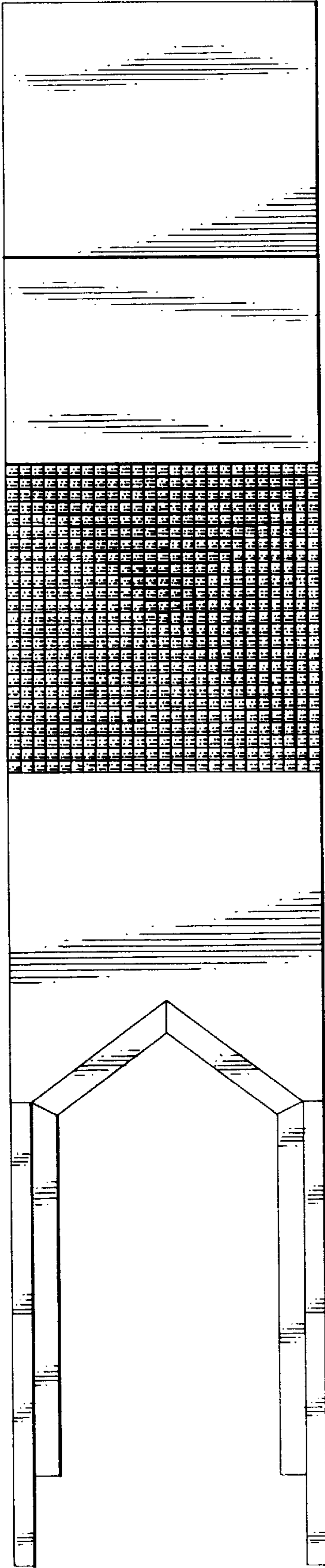


FIG. 3

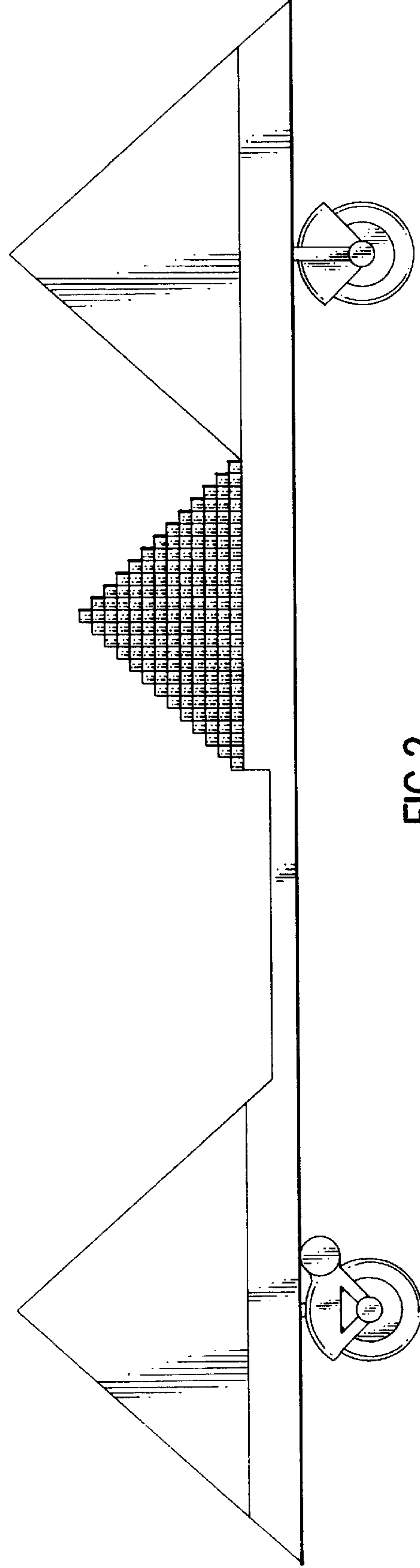


FIG. 2

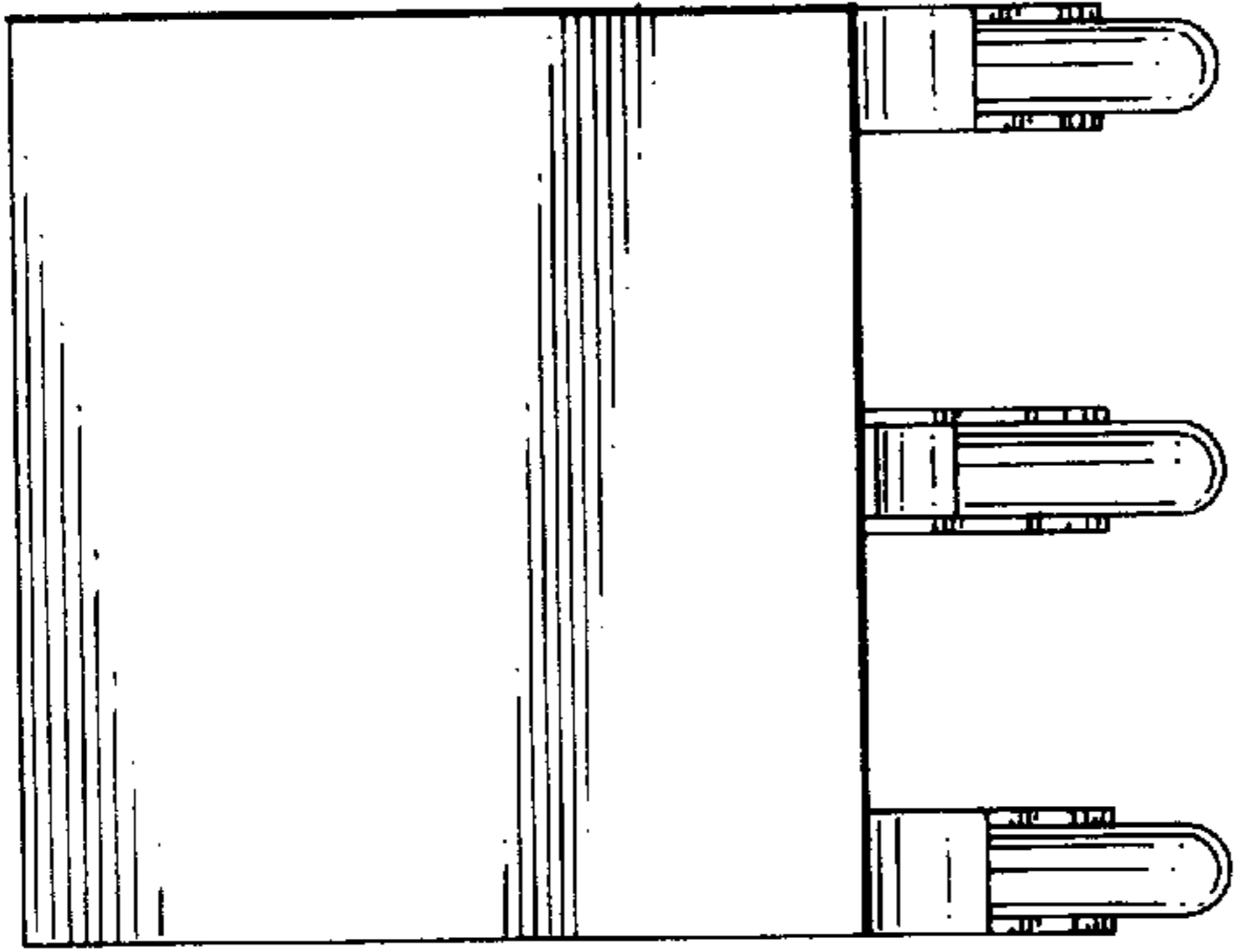


FIG. 4

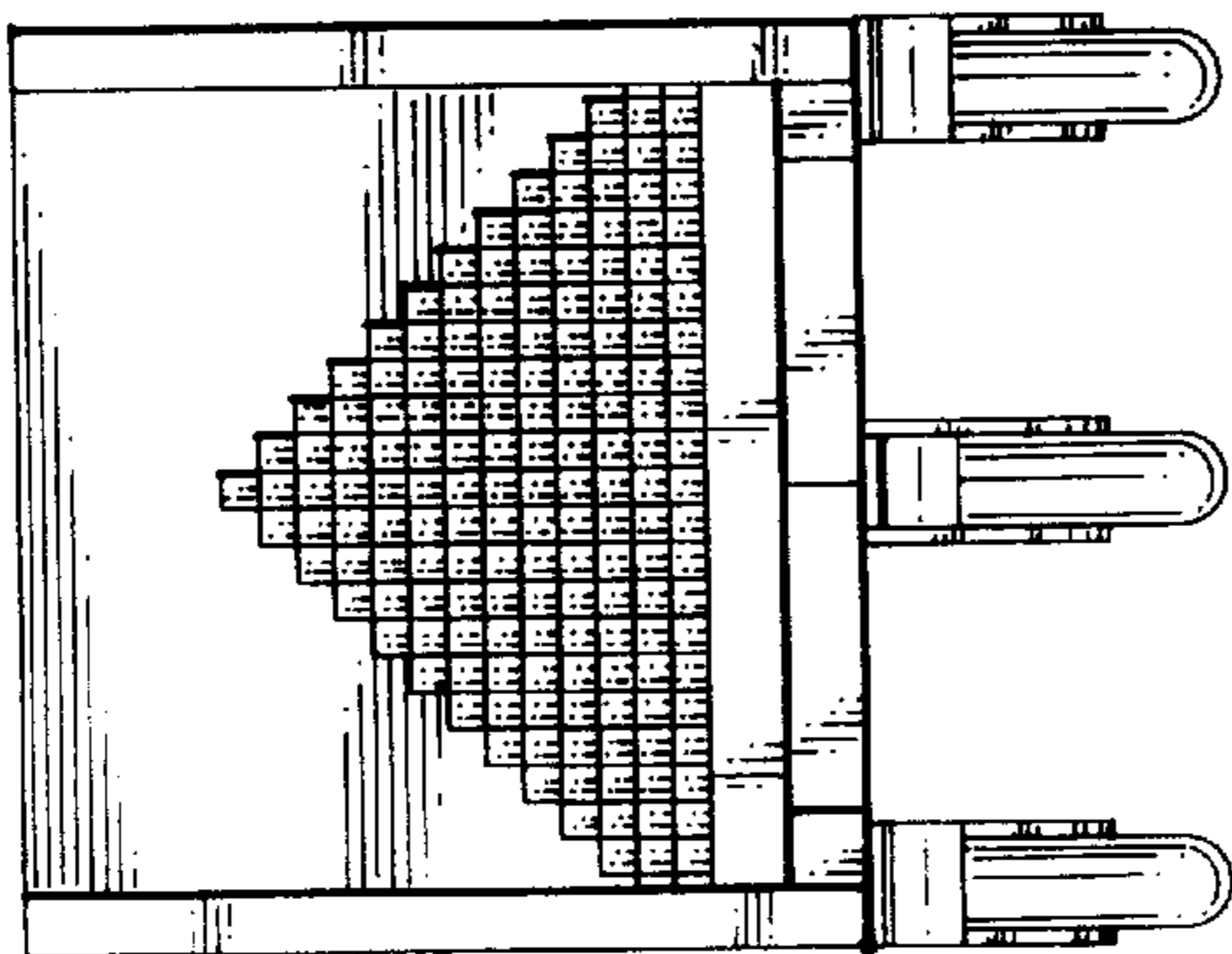


FIG. 5

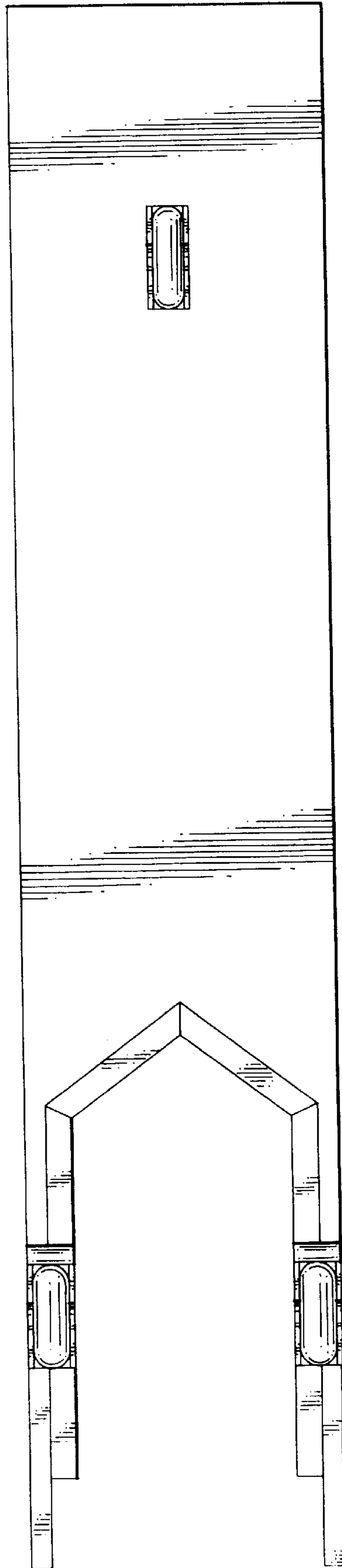


FIG. 6