



US00D401201S

United States Patent [19]
Saleen

[11] **Patent Number: Des. 401,201**

[45] **Date of Patent: **Nov. 17, 1998**

[54] **GAUGE POD FOR CUSTOMIZED
AUTOMOBILE BODY**

4,456,640 6/1984 Nishihara 296/70 X

OTHER PUBLICATIONS

[75] Inventor: **Stephen M. Saleen**, Diamond Bar,
Calif.

D&w Catalog (Germany) Pg. No. 736 At Middle Right,
Aug. 1994.

[73] Assignee: **Saleen Performance, Inc.**, Irvine,
Calif.

Primary Examiner—Louis S. Zarfes
Assistant Examiner—Frank Martinez

[**] Term: **14 Years**

[57] **CLAIM**

[21] Appl. No.: **41,071**

The ornamental design for a gauge pod for customized
automobile body, as shown and described.

[22] Filed: **Jul. 5, 1995**

DESCRIPTION

[51] **LOC (6) Cl.** **12-16**

[52] **U.S. Cl.** **D12/192**

[58] **Field of Search** D12/192; 180/190;
296/70

FIG. 1 is a perspective view of my gauge pod for customized
automobile body;

FIG. 2 is a left side elevational view thereof;

FIG. 3 is a right side elevational view thereof;

FIG. 4 is a top view thereof;

FIG. 5 is a front view thereof; and,

FIG. 6 is a back view thereof.

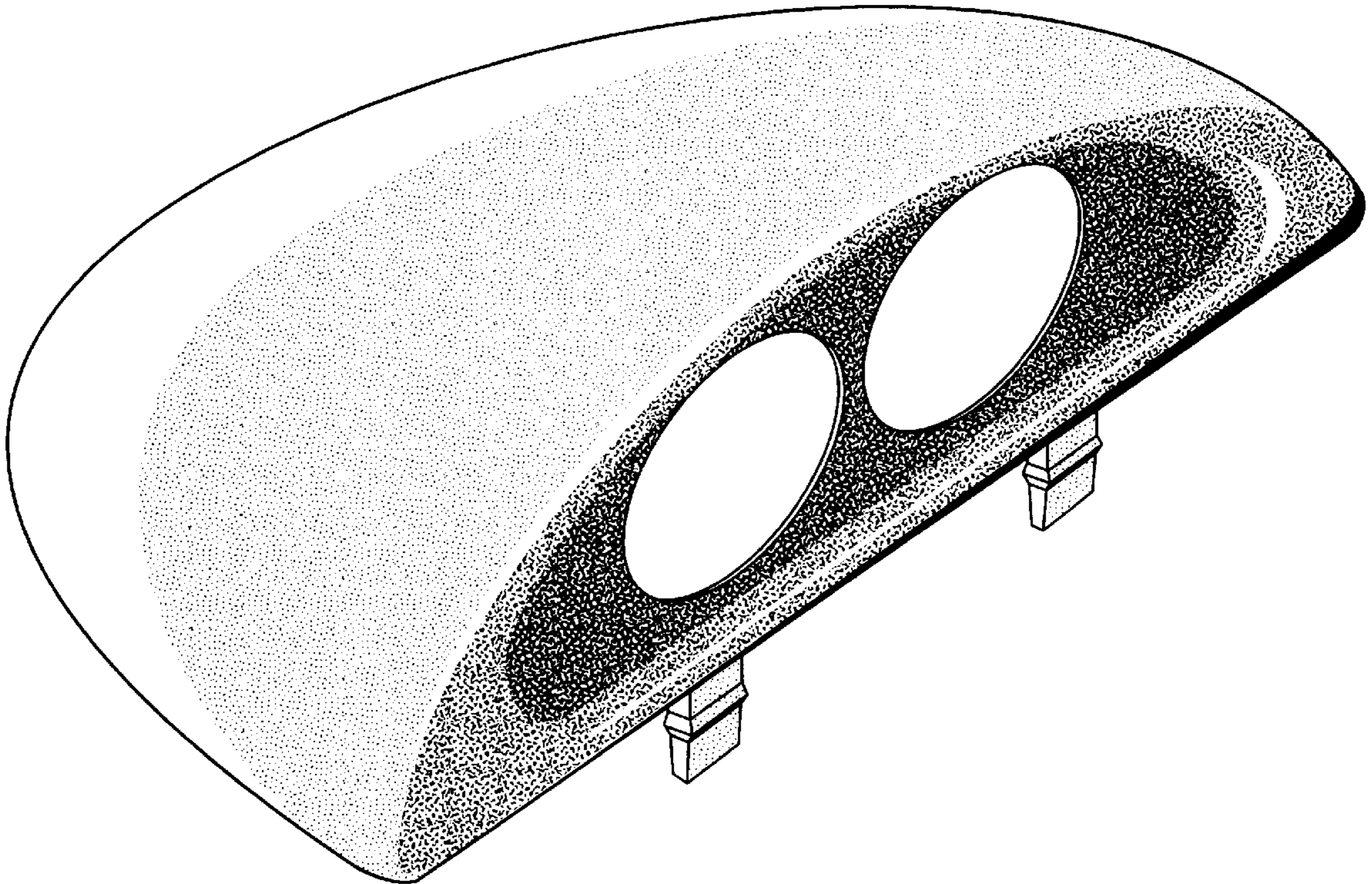
The bottom forms no part of the claimed design.

[56] **References Cited**

U.S. PATENT DOCUMENTS

- D. 369,999 5/1996 Sacco et al. D12/192
- 2,966,952 1/1961 Wilfert D12/192 X
- 3,910,371 10/1975 Magrini 180/90

1 Claim, 3 Drawing Sheets



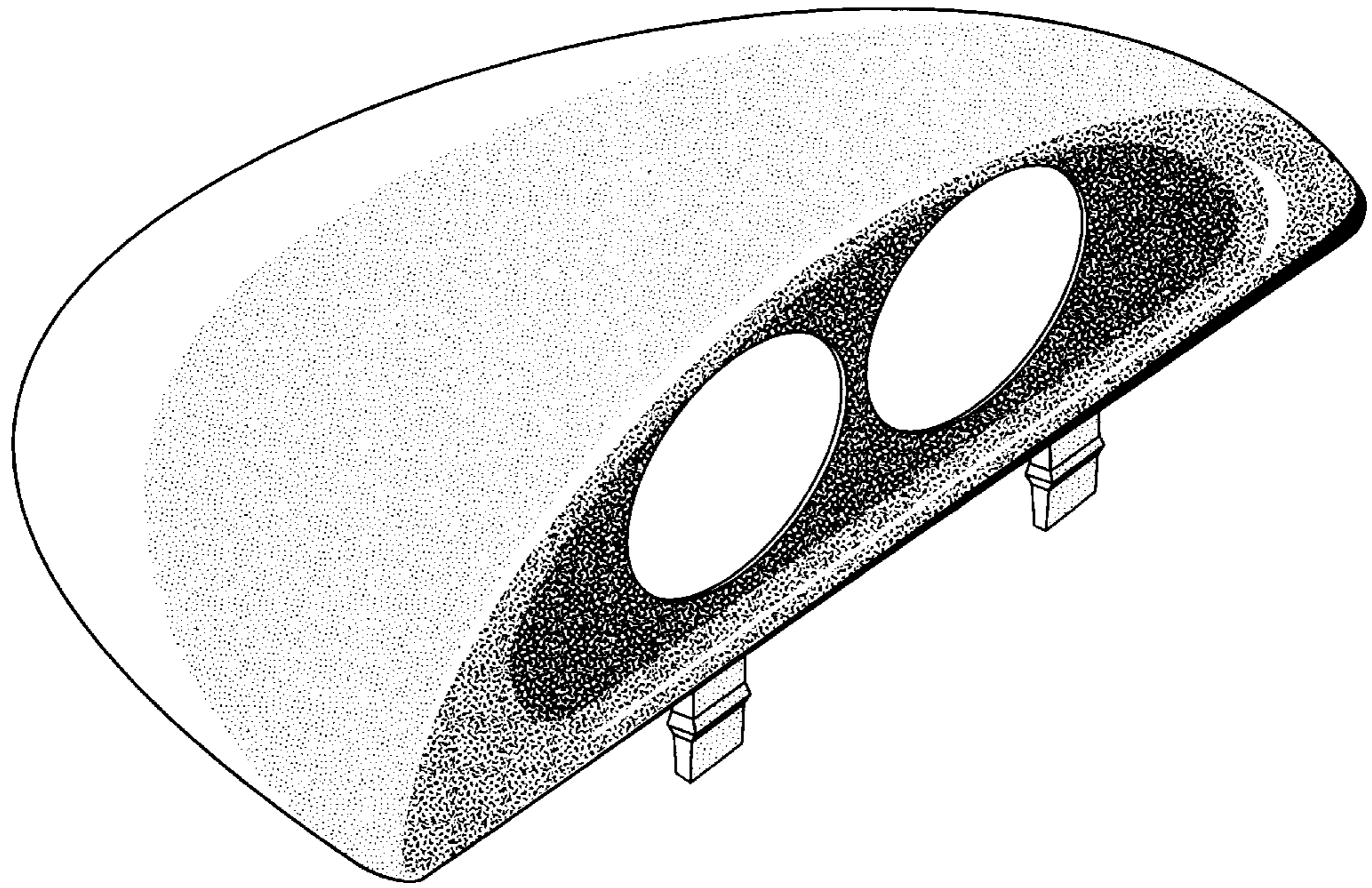


Fig. 1

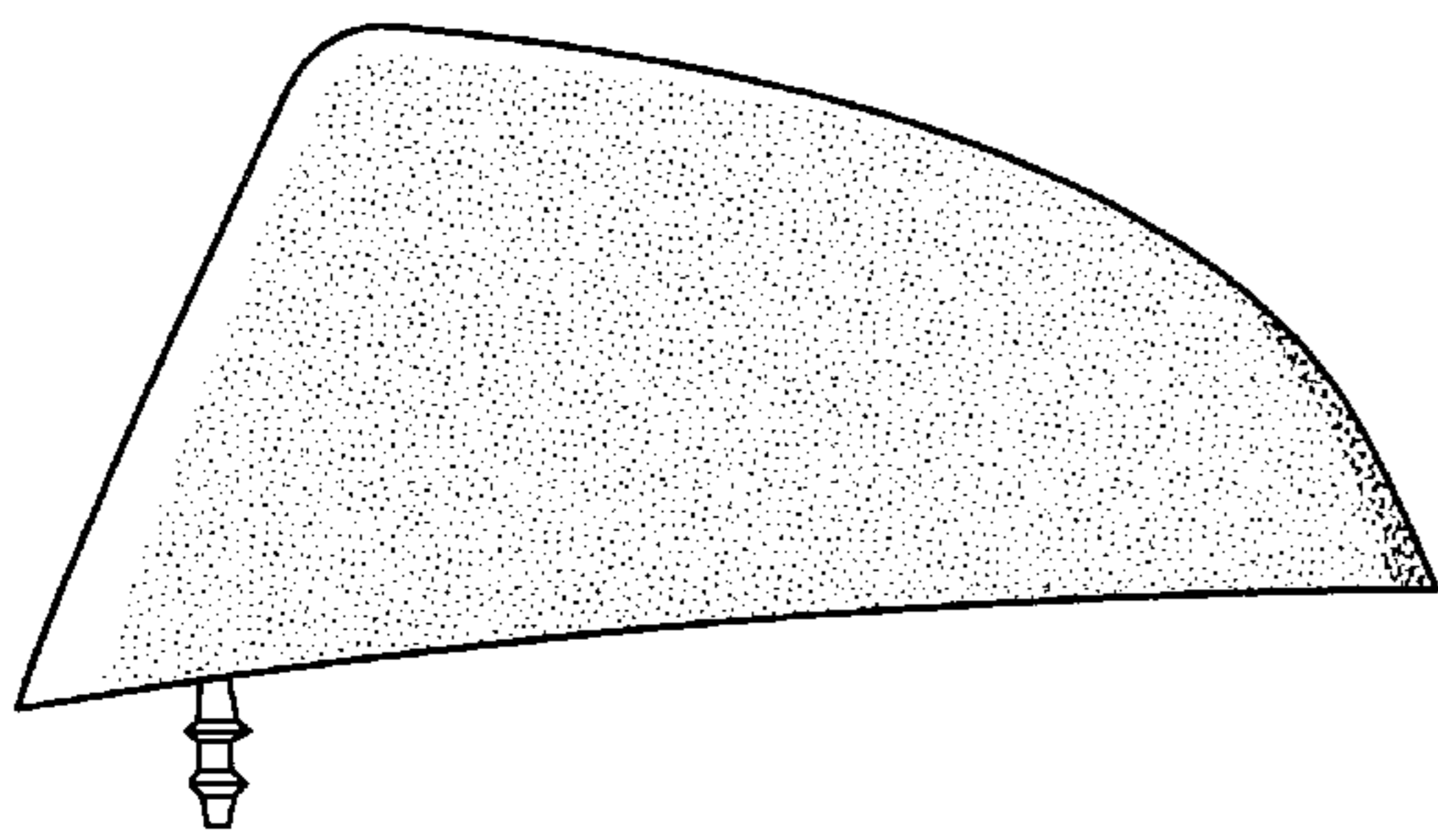


Fig. 2

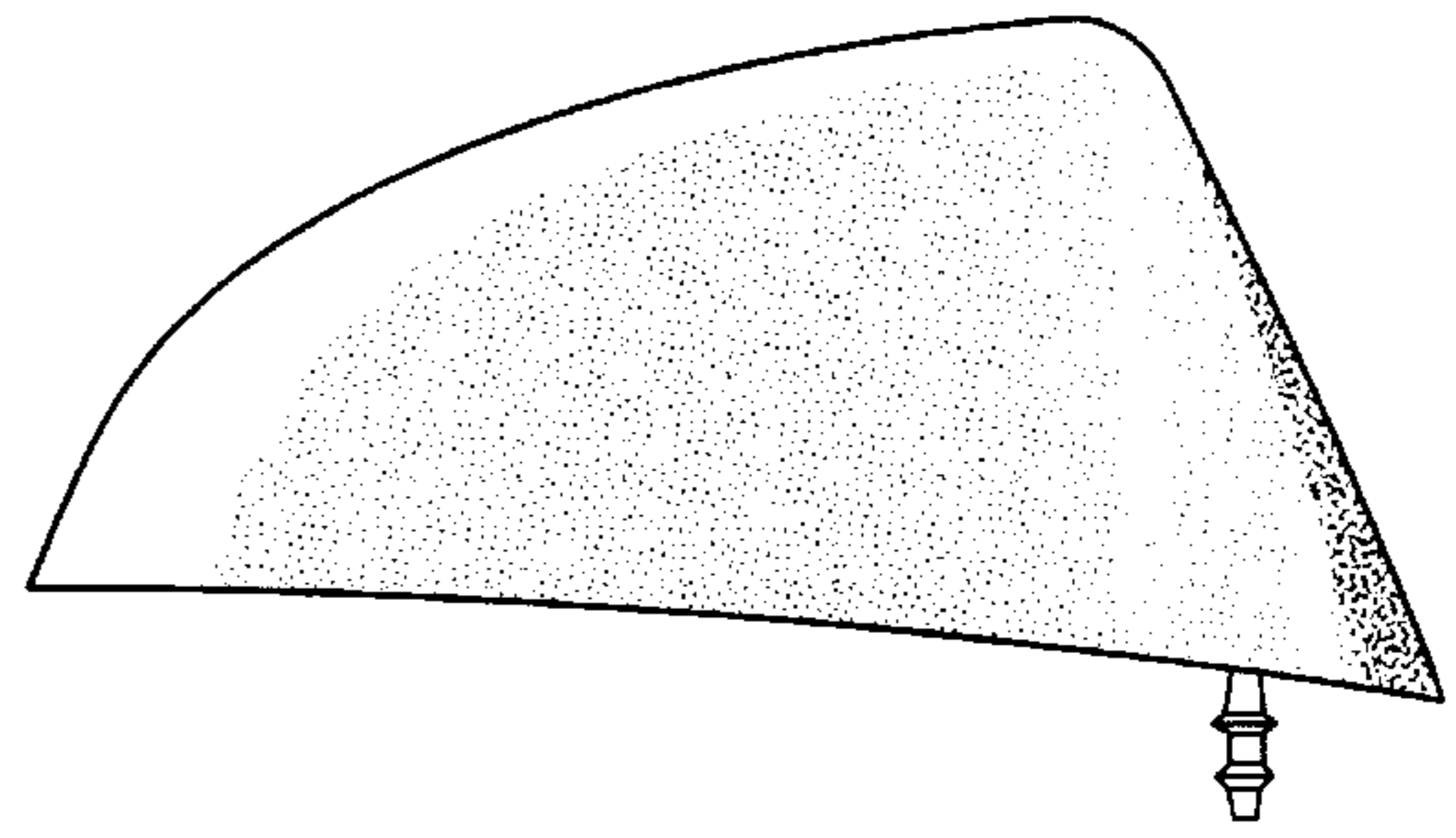


Fig. 3

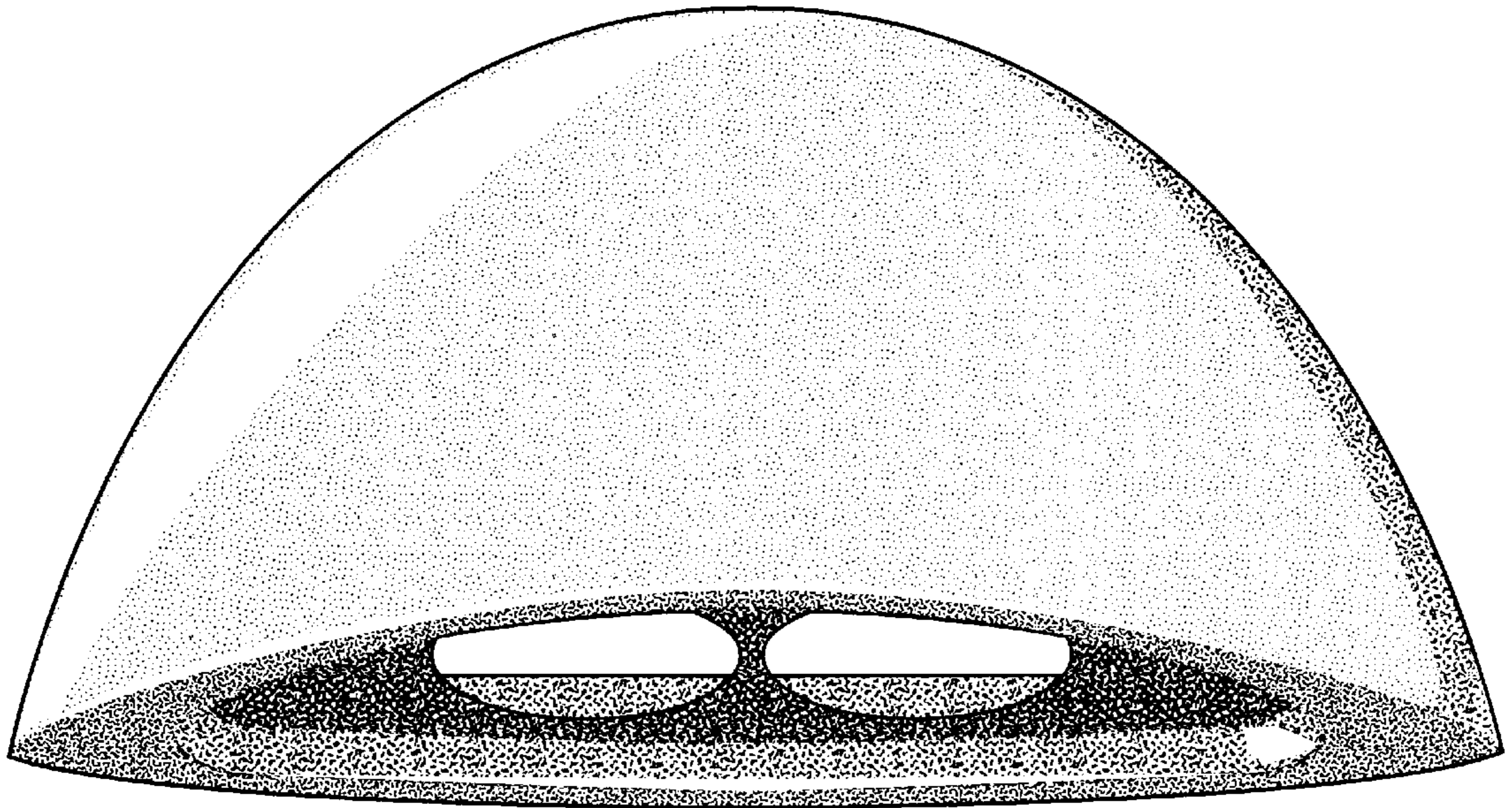


Fig. 4

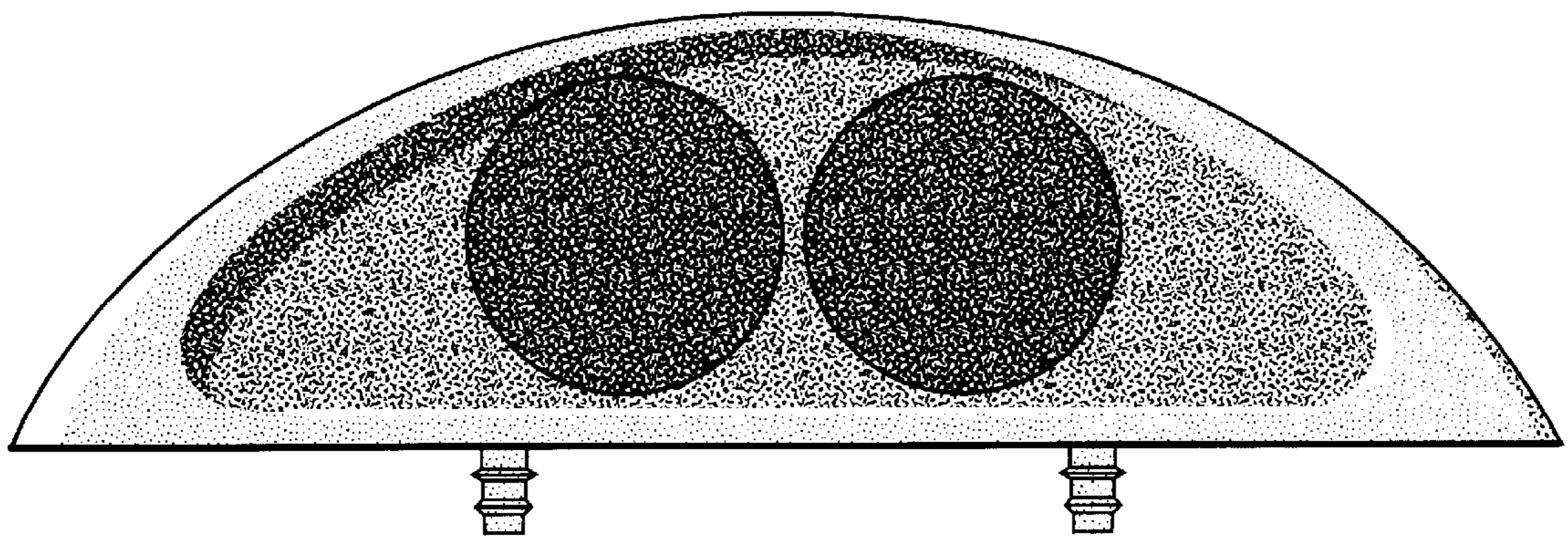


Fig. 5

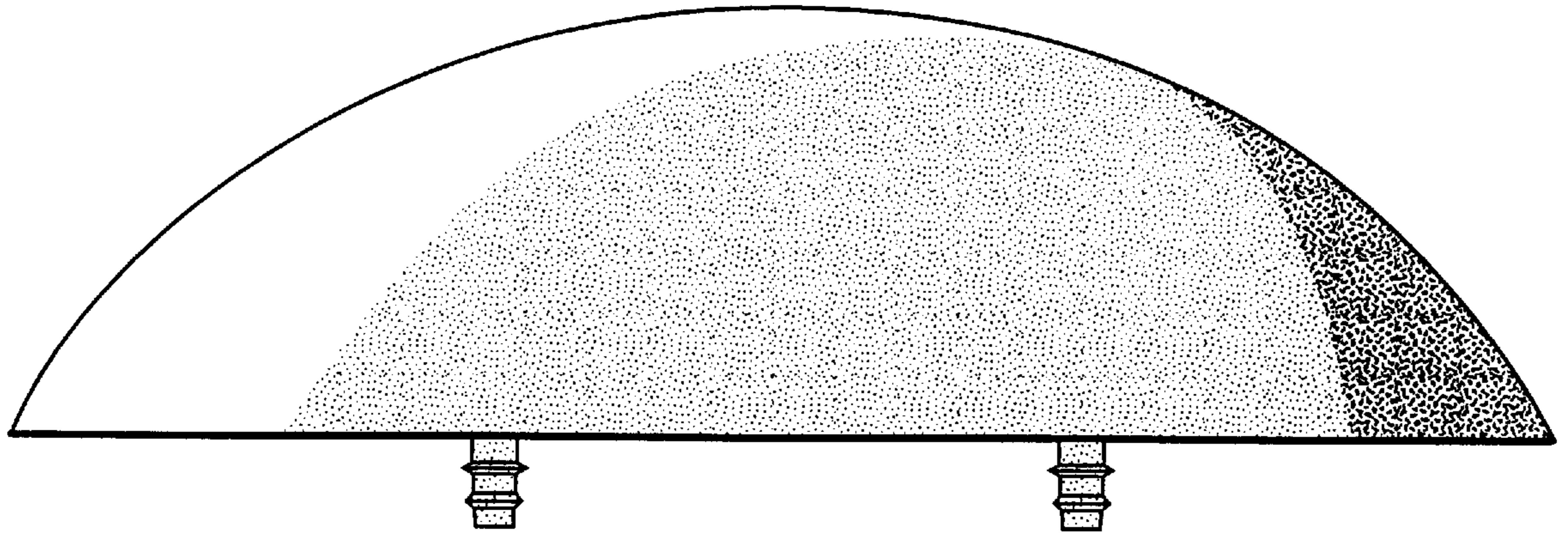


Fig. 6