



US00D401200S

United States Patent [19]
Huang

[11] **Patent Number: Des. 401,200**

[45] **Date of Patent: **Nov. 17, 1998**

[54] **REARVIEW MIRROR**

[76] Inventor: **Chi San Huang**, P.O. Box 1032,
Tainan, Taiwan

[**] Term: **14 Years**

[21] Appl. No.: **82,693**

[22] Filed: **Jan. 5, 1998**

[51] **LOC (6) Cl.** **12-16**

[52] **U.S. Cl.** **D12/187**

[58] **Field of Search** D12/187-189;
359/629, 838, 841, 842, 843-846, 850,
854-855, 864-866, 868, 871-874, 875-876,
879, 880, 881, 848, 860

[56] **References Cited**

U.S. PATENT DOCUMENTS

D. 234,592 3/1975 Callaway D12/188
D. 283,998 5/1986 Tanaka D12/187

D. 346,356 4/1994 Leu D12/187
D. 391,213 2/1998 Huang D12/187
3,917,386 11/1975 Swales 359/214
4,746,206 5/1988 Kuzstos et al. 359/555

Primary Examiner—Ralf Seifert

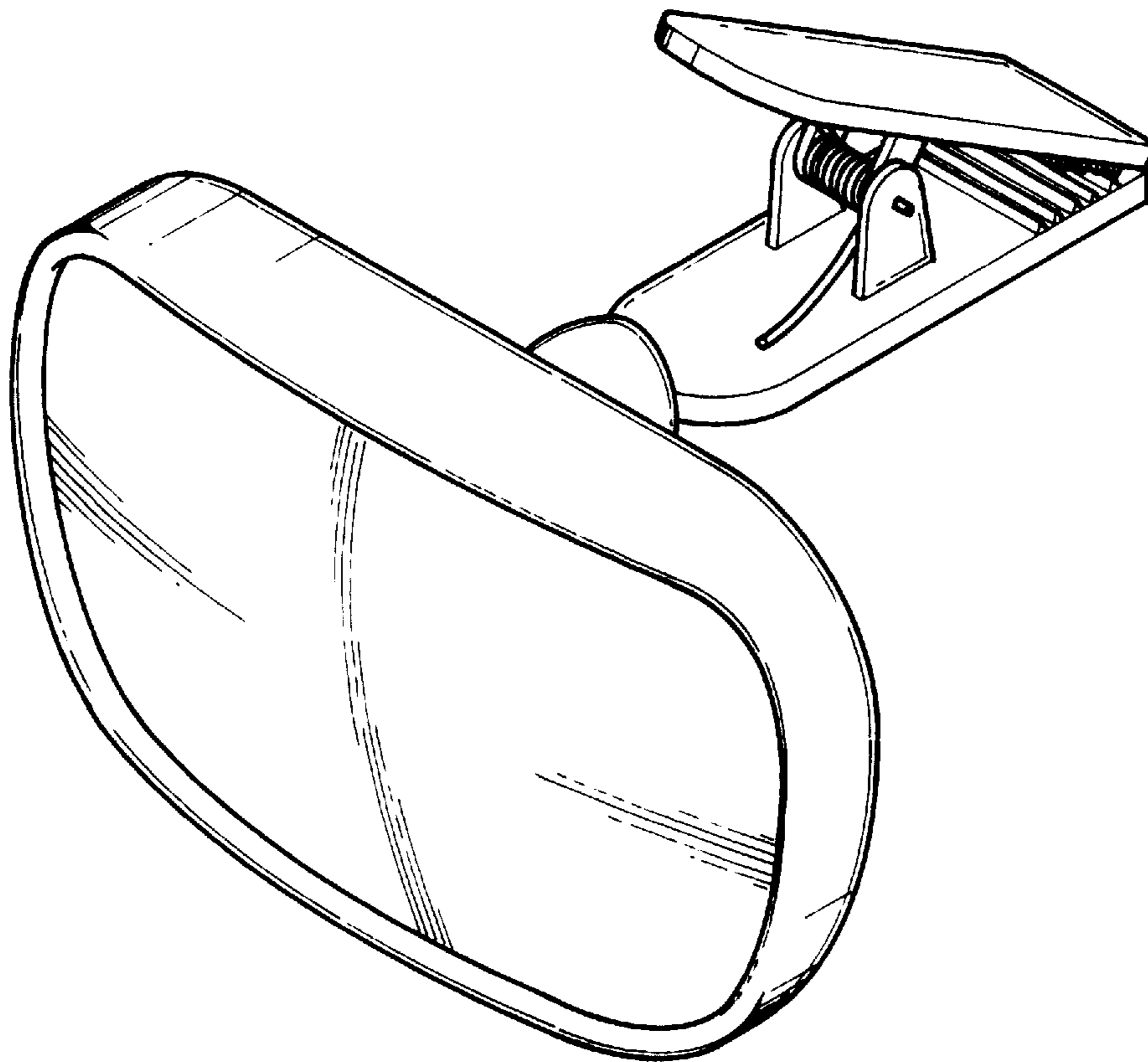
[57] **CLAIM**

The ornamental design for a rearview mirror, as shown.

DESCRIPTION

FIG. 1 is a perspective view of a rearview mirror showing my new design;
FIG. 2 is a front elevational view thereof;
FIG. 3 is a rear elevational view thereof;
FIG. 4 is a left elevational view thereof;
FIG. 5 is a right elevational view thereof;
FIG. 6 is a top plan view thereof; and,
FIG. 7 is a bottom plan view.

1 Claim, 4 Drawing Sheets



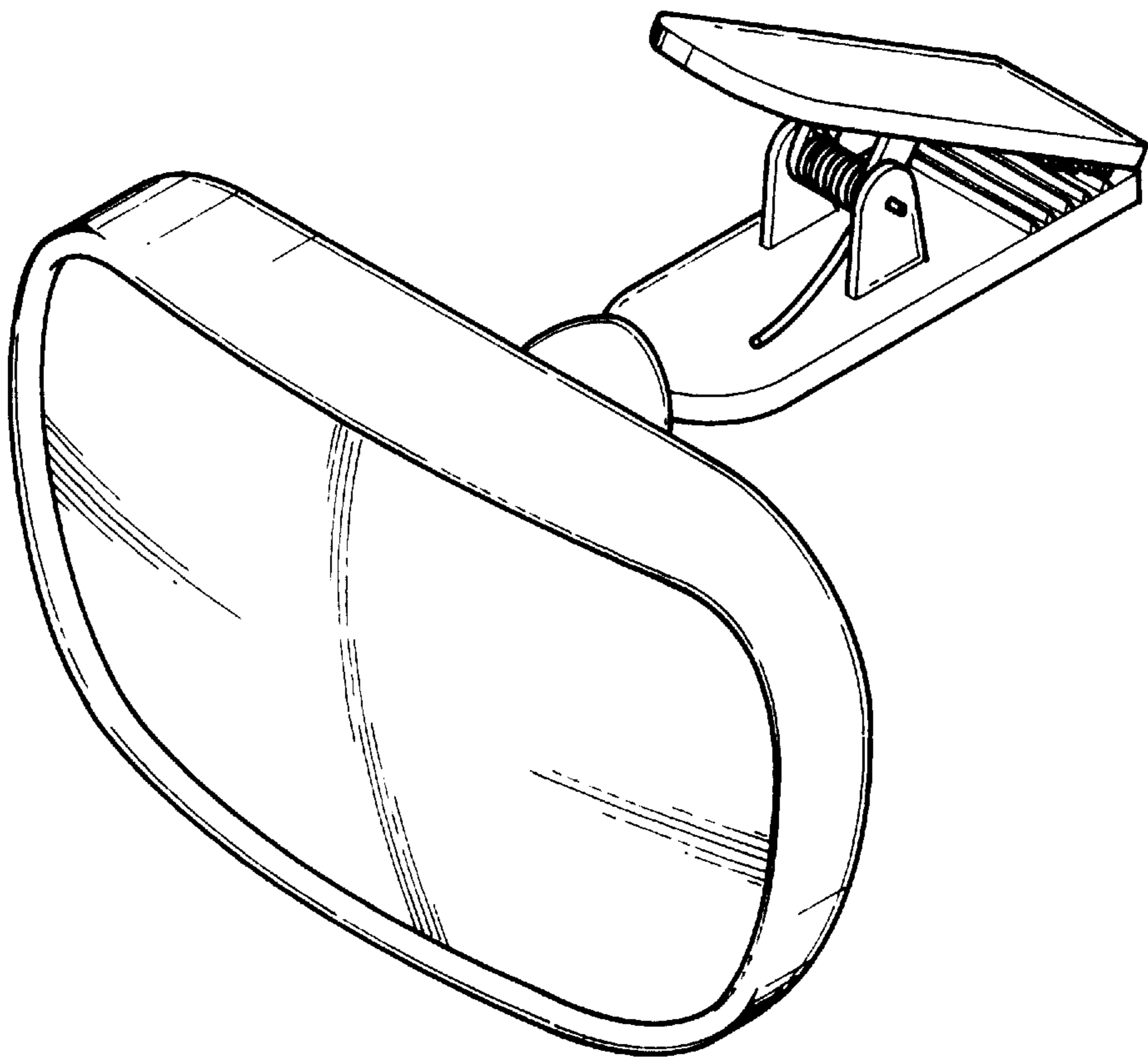


FIG.1

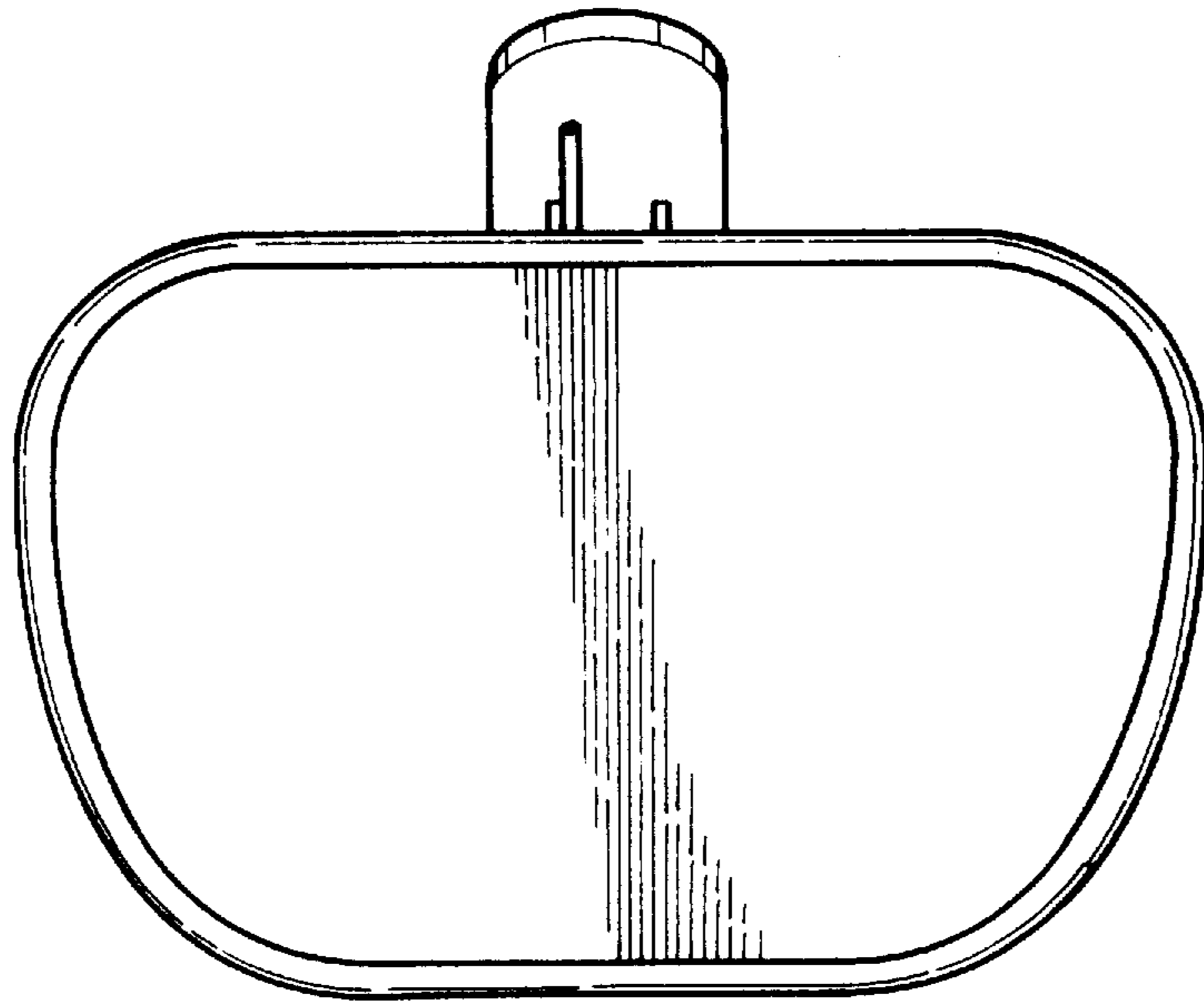


FIG. 2

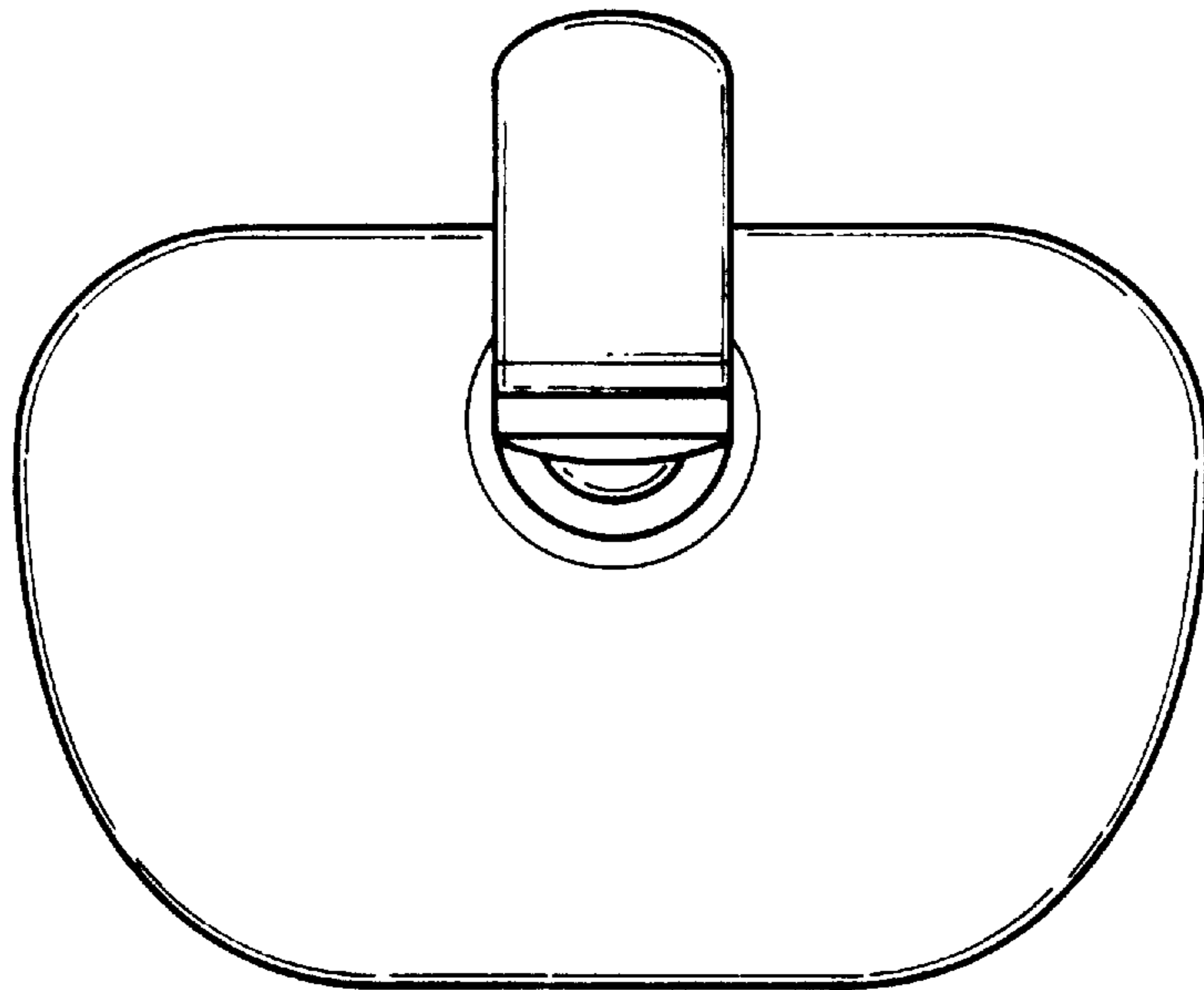


FIG. 3

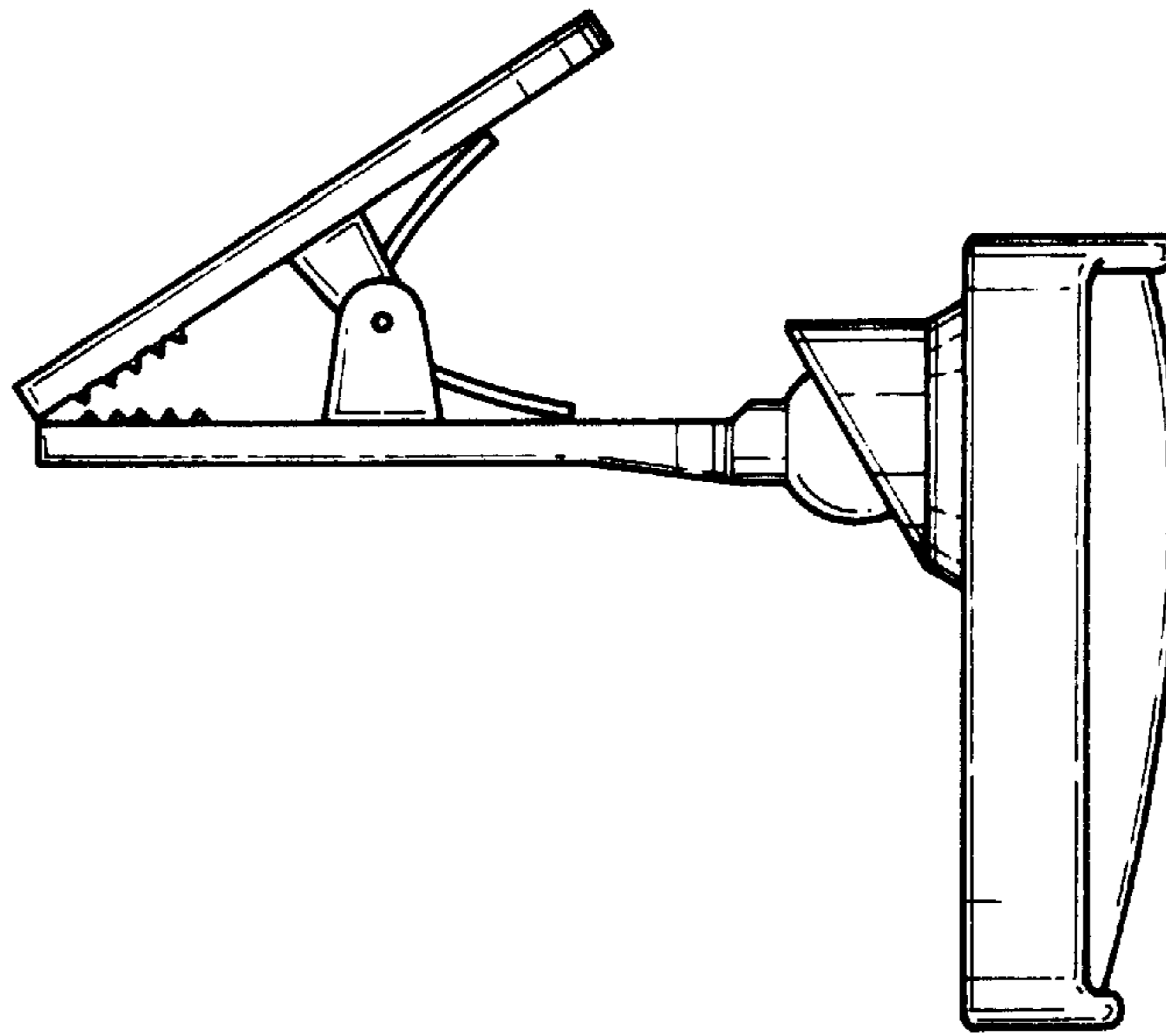


FIG. 4

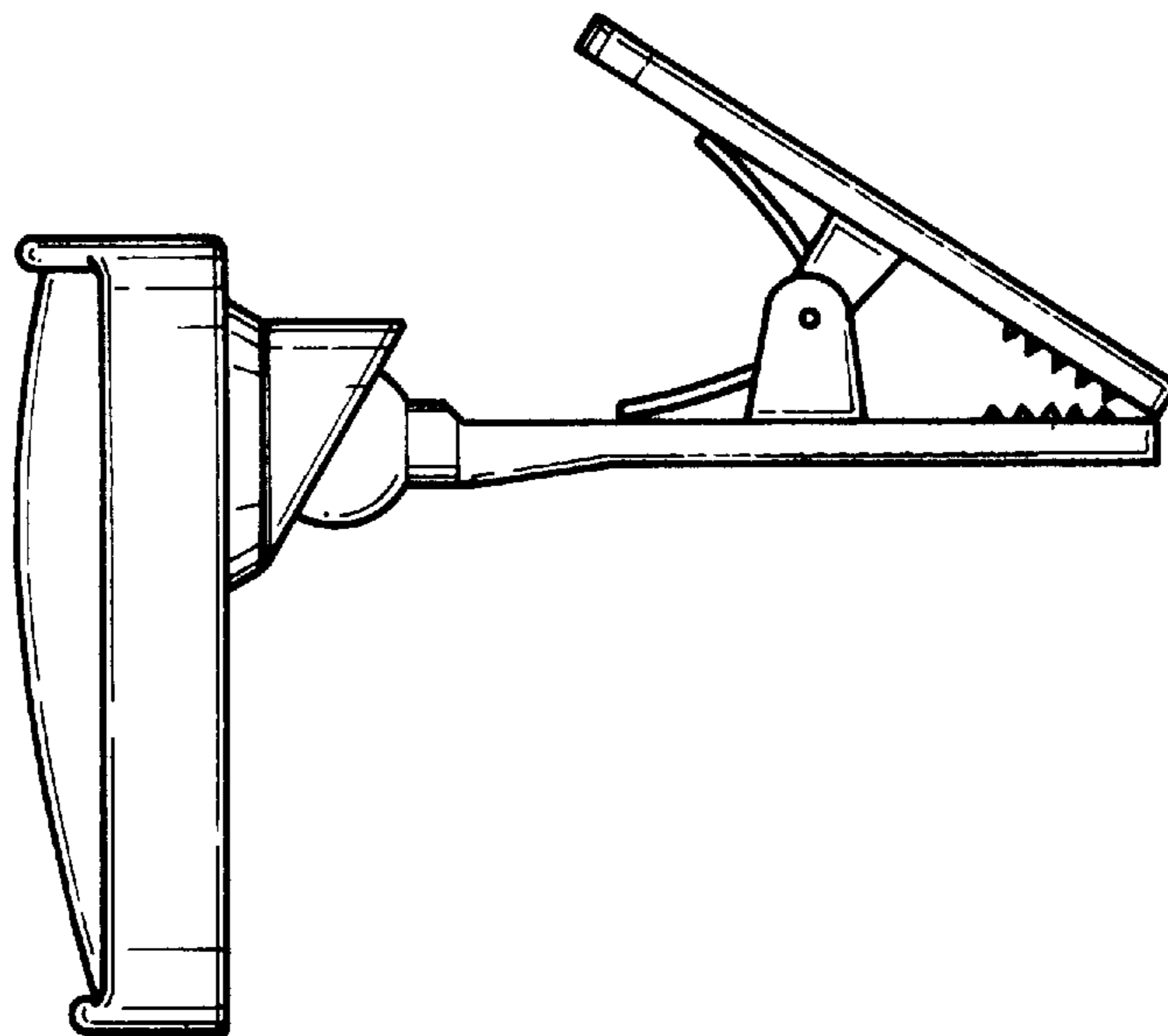


FIG. 5

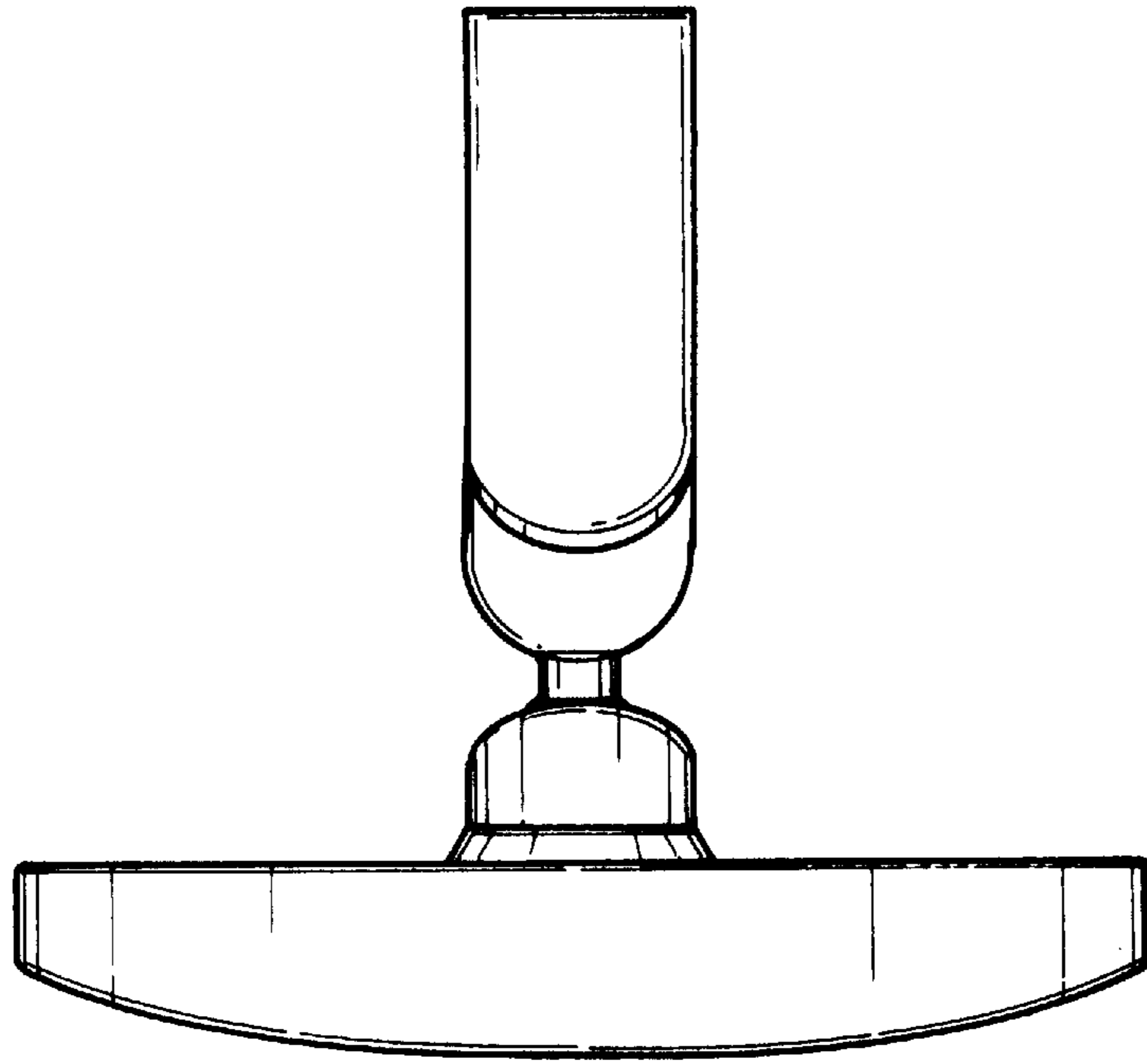


FIG. 6

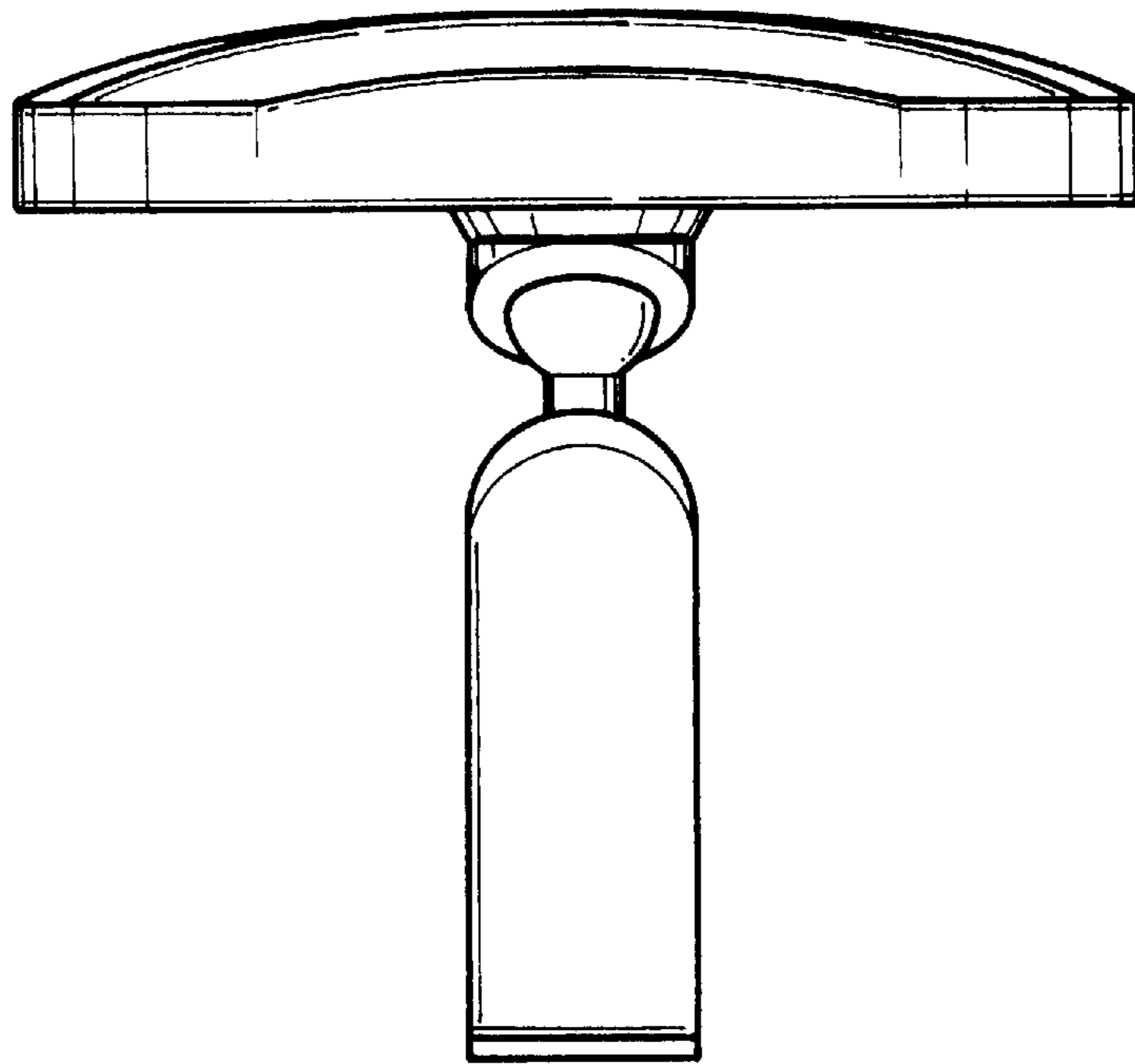


FIG. 7