



US00D401199S

# United States Patent [19]

**Kovach et al.**

[11] **Patent Number: Des. 401,199**

[45] **Date of Patent: \*\*Nov. 17, 1998**

[54] **SPOILER WITH LEGS**

[75] Inventors: **Robert L. Kovach**, Independence;  
**Robert A. Kovach**, Auburn, both of  
Ohio

[73] Assignee: **Dawn Enterprises, Inc.**, Valley View,  
Ohio

[\*\*] Term: **14 Years**

[21] Appl. No.: **43,747**

[22] Filed: **Sep. 11, 1995**

[51] **LOC (6) Cl.** ..... **12-16**

[52] **U.S. Cl.** ..... **D12/181**

[58] **Field of Search** ..... D12/181, 190,  
D12/191; 180/903; 296/91, 180.1, 180.2,  
180.3, 180.4, 180.5

[56] **References Cited**

**U.S. PATENT DOCUMENTS**

D. 290,453 6/1987 Konen et al. .... D12/181  
5,013,081 5/1991 Cronce et al. .... 296/180.1

**OTHER PUBLICATIONS**

J.C. Whitney & Co., Catalog No. 540J, ©1992, Curved  
Wings Spoiler Item C, Reference Nos. 86-5755A &  
20-0544T, p. 74; Fiberglass Rear Wing Spoilers, Items A-E,

Bottom, Left of p. 75; Custom-Fit Aluminum Rear Wing  
Spoilers, Center Column of p. 75.

J. C. Whitney & Co., Catalog No. 515J, ©1990, Contoured  
Pedestal-Mount Rear Wing Spoiler, Top, Right of p. 138.

*Primary Examiner*—Alan P. Douglas  
*Assistant Examiner*—Lavone D. Tabor  
*Attorney, Agent, or Firm*—Woodling, Krost & Rust

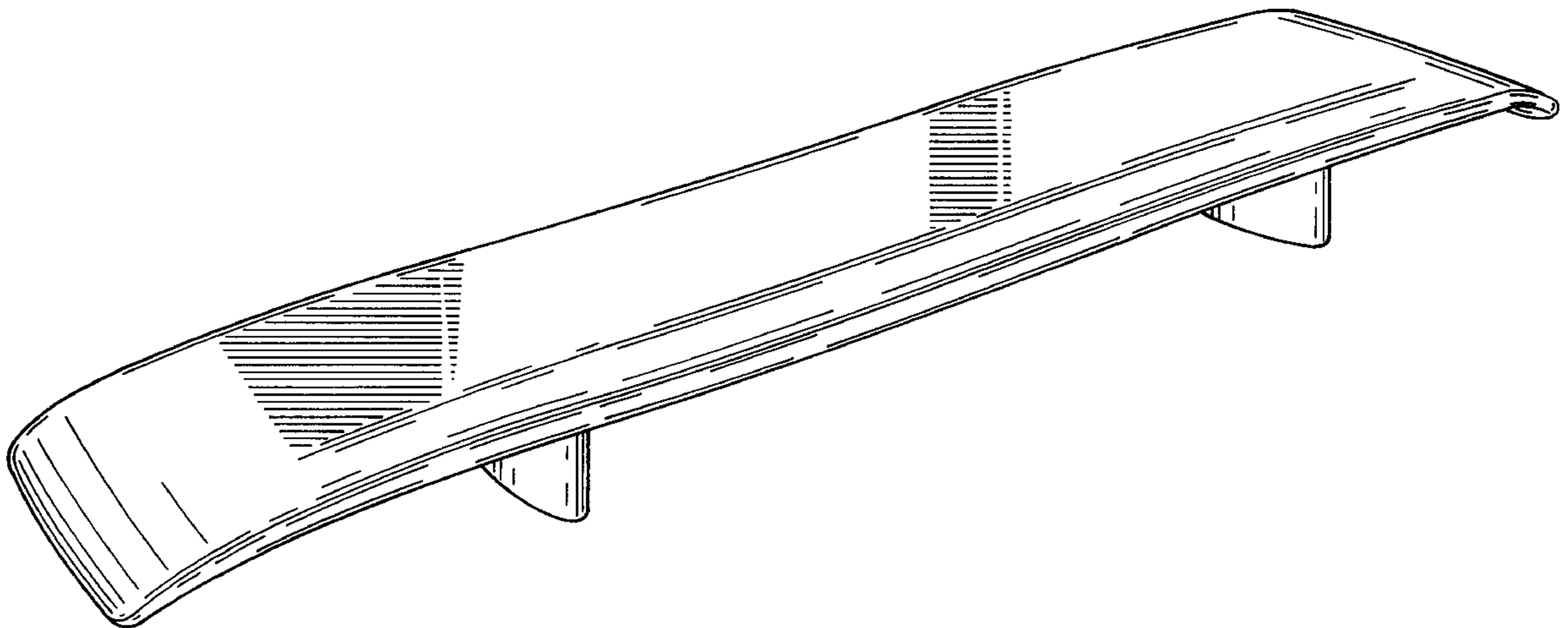
[57] **CLAIM**

We claim the ornamental design for a spoiler with legs, as  
shown and described.

**DESCRIPTION**

FIG. 1 is a rear perspective view of our design;  
FIG. 2 is a front perspective view of our design;  
FIG. 3 is a top plan view of our design;  
FIG. 4 is a rear elevational view of our design;  
FIG. 5 is a front elevational view of our design;  
FIG. 6 is a bottom view of our design; and,  
FIG. 7 is a left side elevational view of our design.

**1 Claim, 4 Drawing Sheets**



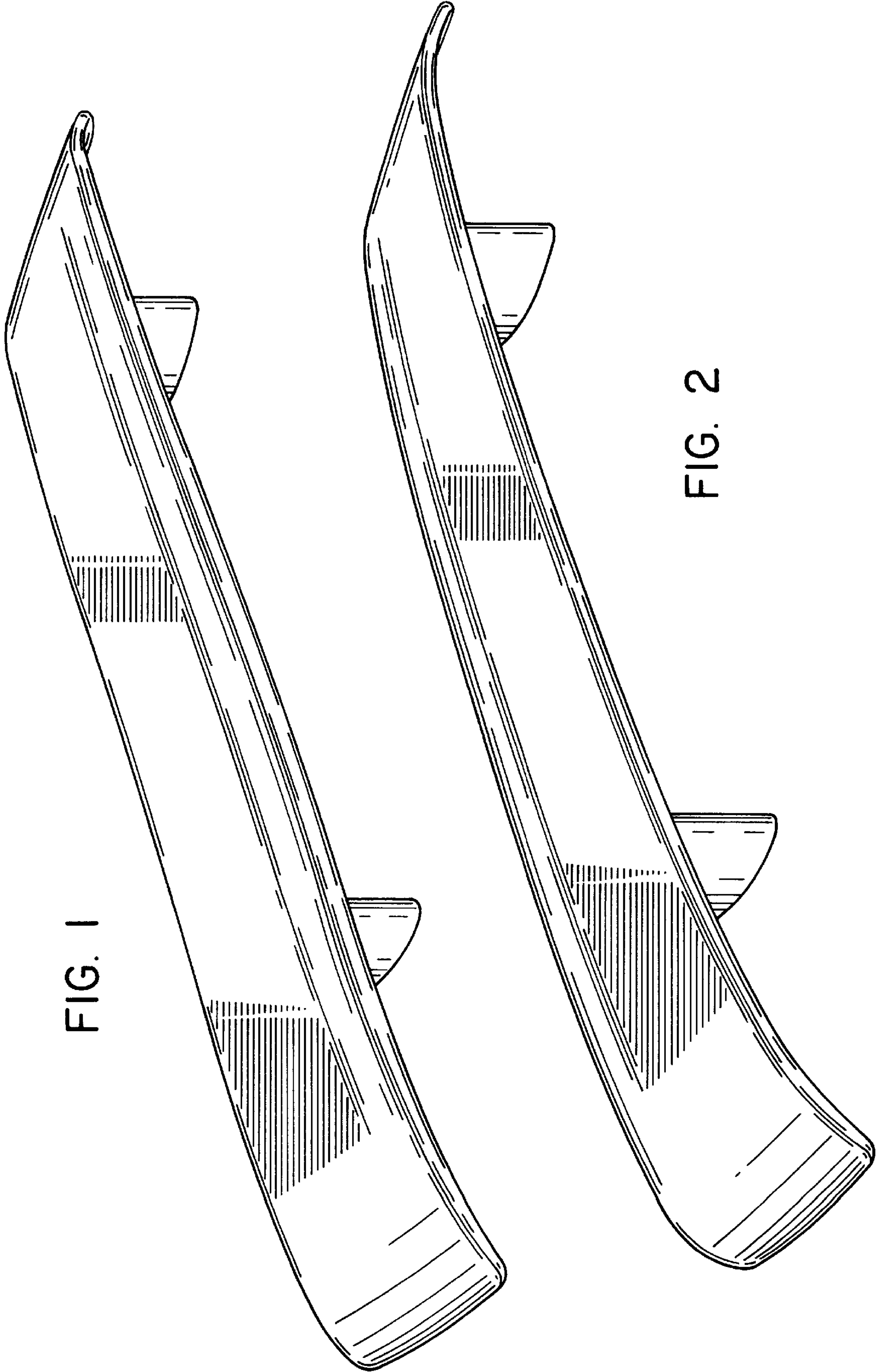


FIG. 1

FIG. 2

FIG. 3

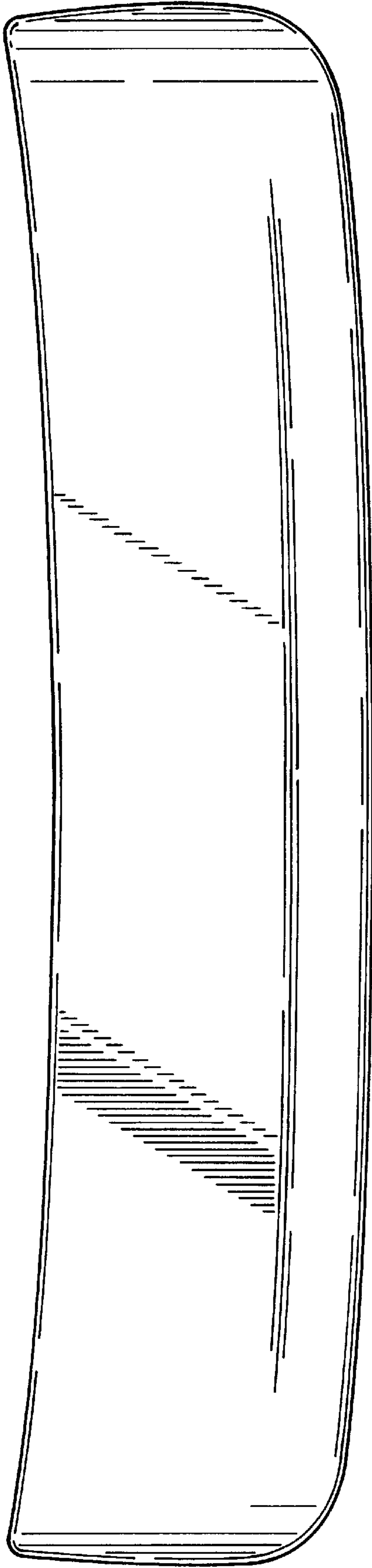


FIG. 4

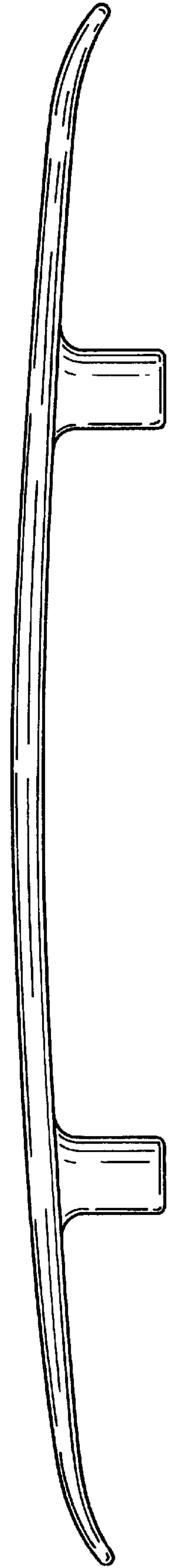


FIG. 5

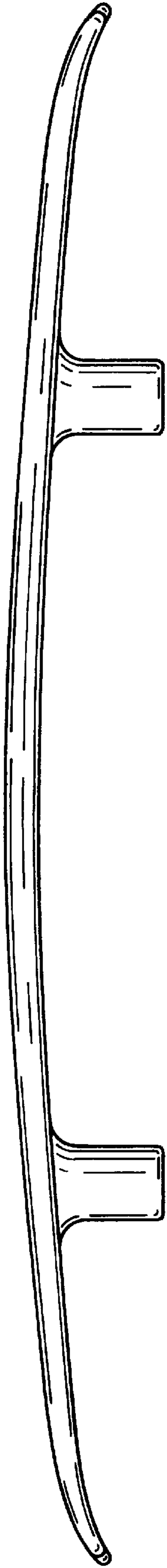
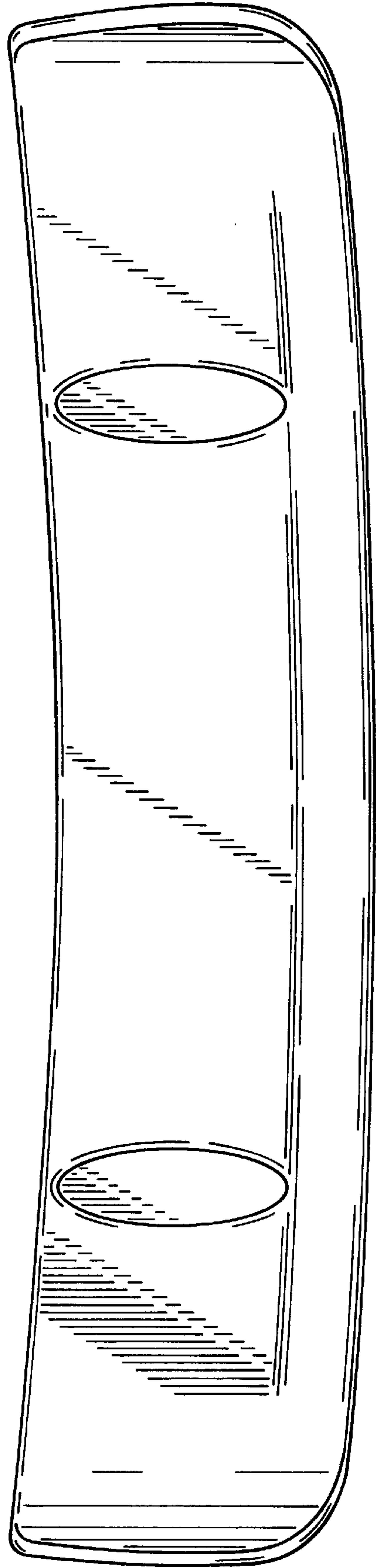


FIG. 6



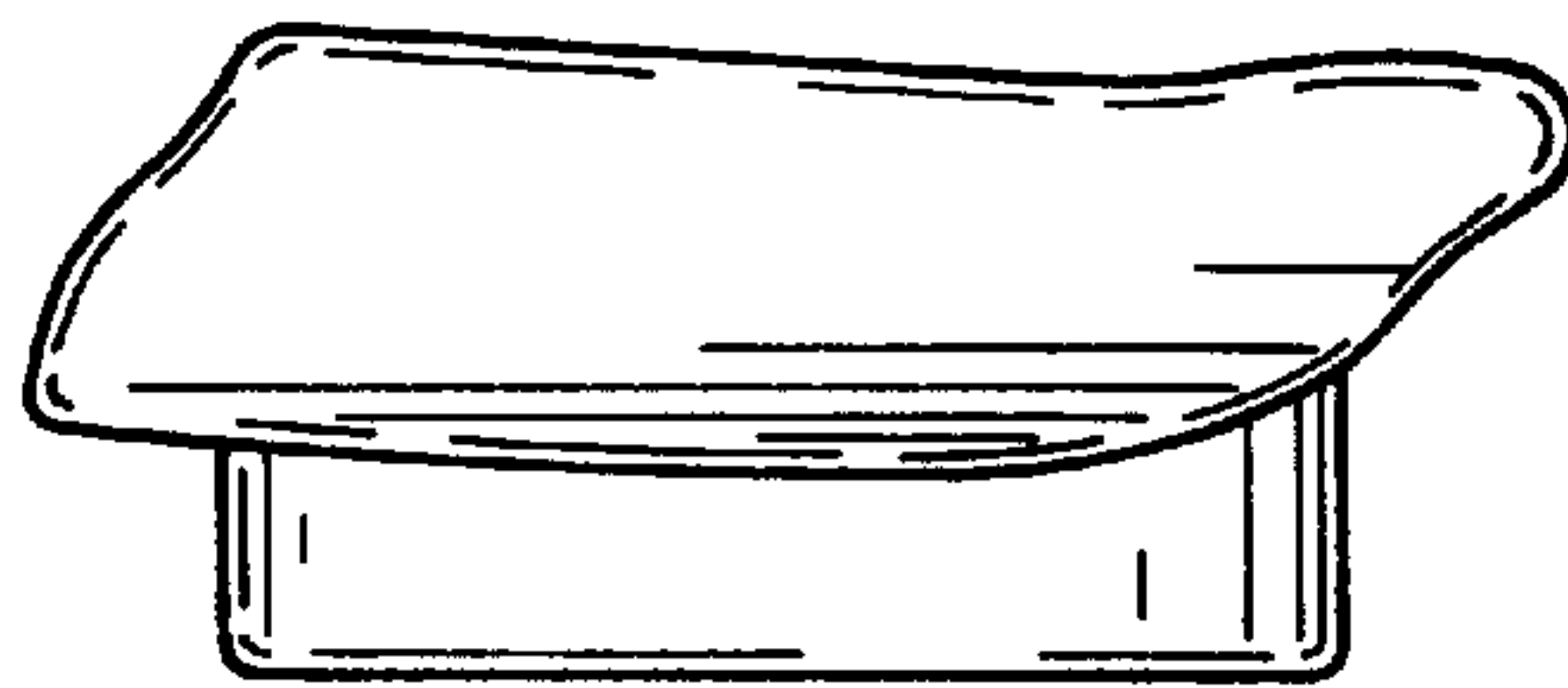


FIG. 7