



US00D401197S

United States Patent [19] Julian

[11] **Patent Number: Des. 401,197**

[45] **Date of Patent: **Nov. 17, 1998**

[54] **BASKETBALL HITCH PLUG**

[76] Inventor: **Patrick M. Julian**, 6909 Weedin Pl.
N.E. - Apartment B-402, Seattle, Wash.
98115

[**] Term: **14 Years**

[21] Appl. No.: **85,121**

[22] Filed: **Mar. 17, 1998**

[51] **LOC (6) Cl.** **12-16**

[52] **U.S. Cl.** **D12/162**

[58] **Field of Search** D12/162, 400;
D9/307, 441, 451; 211/14; 280/477, 490.1,
507, 511; D29/106

[56] **References Cited**

U.S. PATENT DOCUMENTS

D. 369,996	5/1996	Wylie	D12/162
D. 373,310	9/1996	Trautmann	D9/441
D. 385,482	10/1997	Bried et al.	D9/451
1,383,290	7/1921	Cressey	D9/307 X

Primary Examiner—Robert M. Spear
Attorney, Agent, or Firm—Snell & Wilmer, L.L.P.

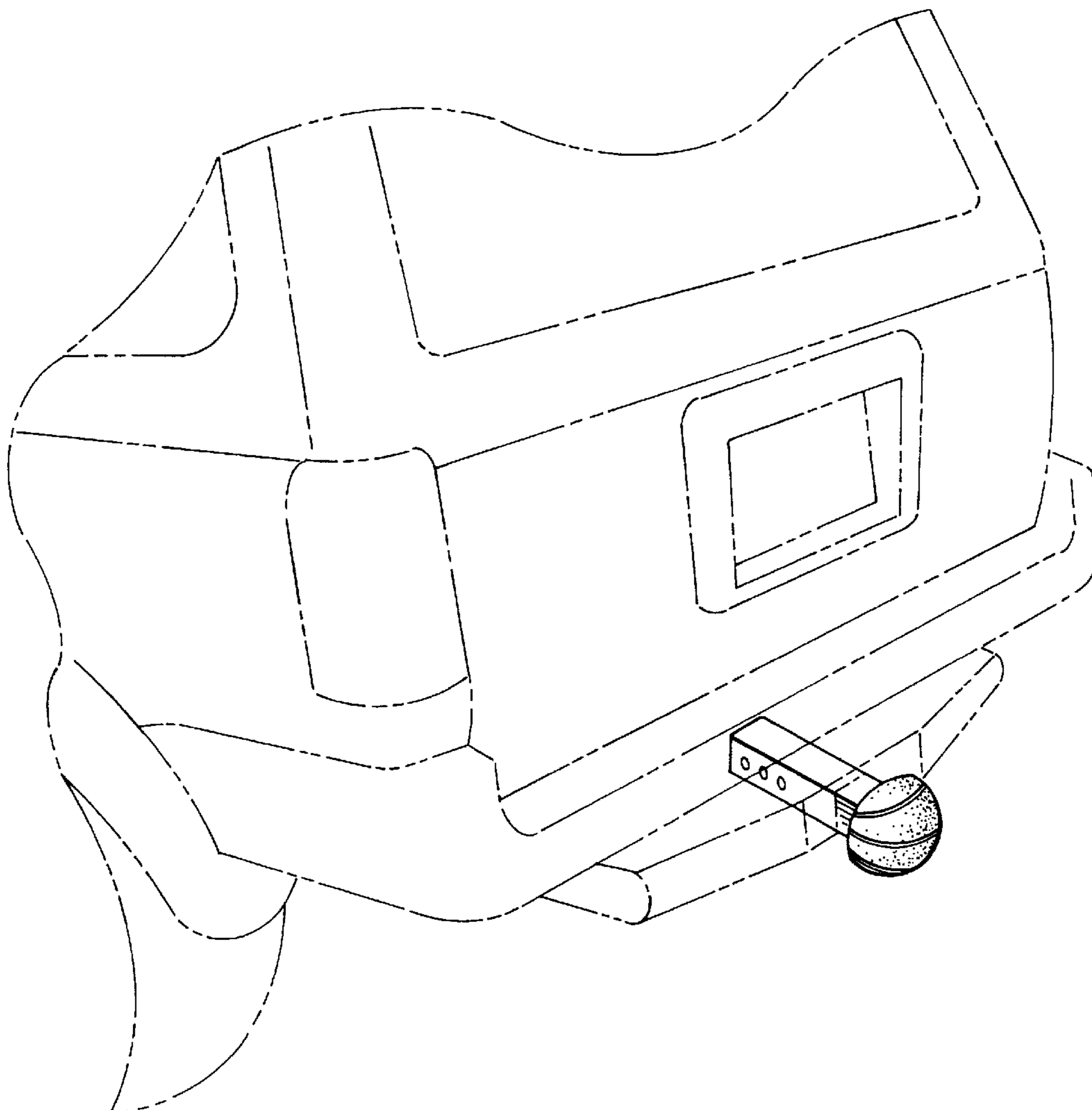
[57] **CLAIM**

The ornamental design for a basketball hitch plug, as shown and described.

DESCRIPTION

FIG. 1 is a perspective view of a basketball hitch plug showing my new design;
FIG. 2 is a top plan view of the basketball hitch plug;
FIG. 3 is a bottom plan view of the basketball hitch plug;
FIG. 4 is a front elevational view of the basketball hitch plug;
FIG. 5 is a rear elevational view of the basketball hitch plug;
FIG. 6 is a side elevational view of the basketball hitch plug;
and,
FIG. 7 is a perspective view, shown at a reduced scale, of the basketball hitch plug mounted on the hitch of a vehicle. The broken line showing of a vehicle is for illustrative purposes only and forms no part of the claimed design.

1 Claim, 2 Drawing Sheets



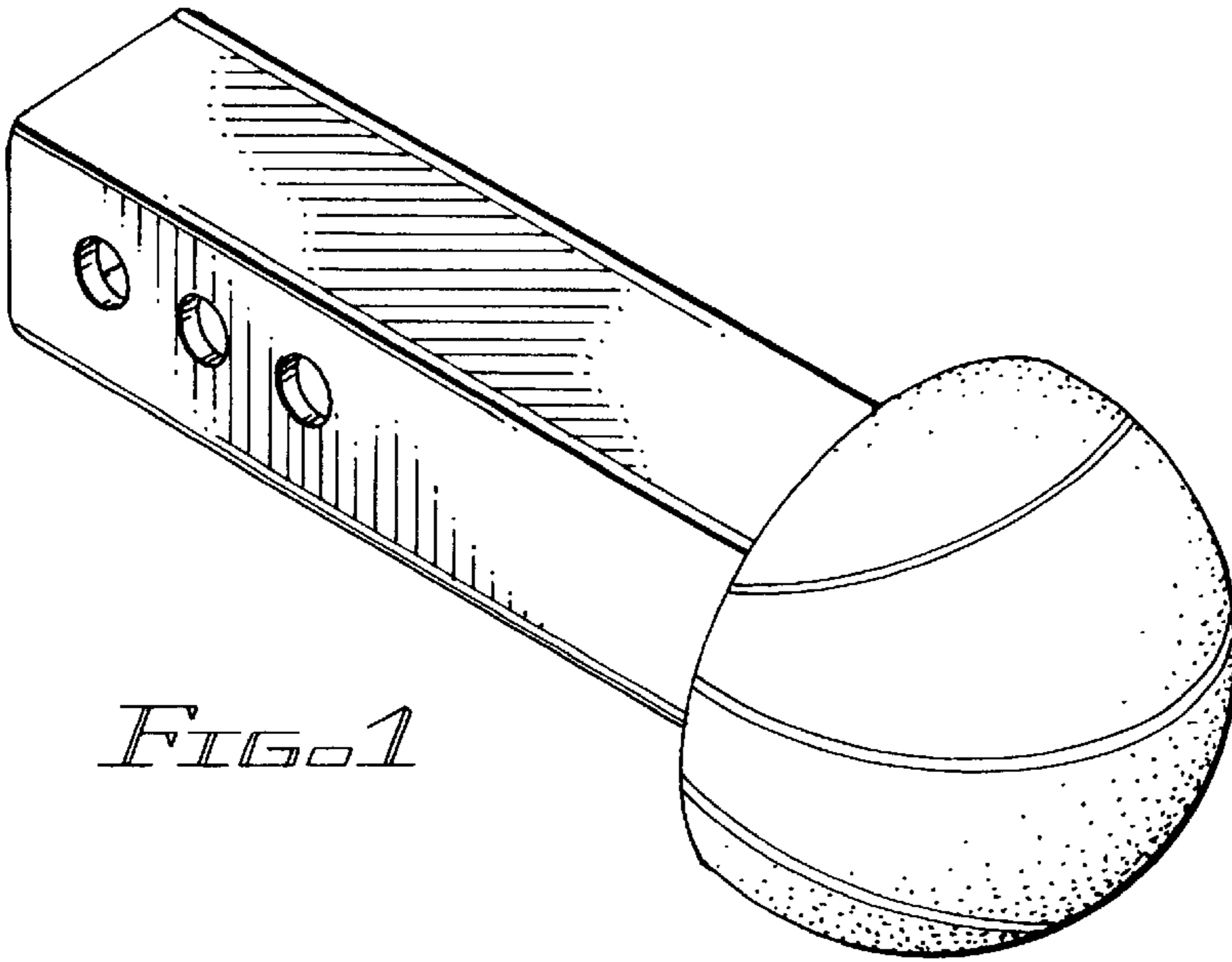


FIG. 1

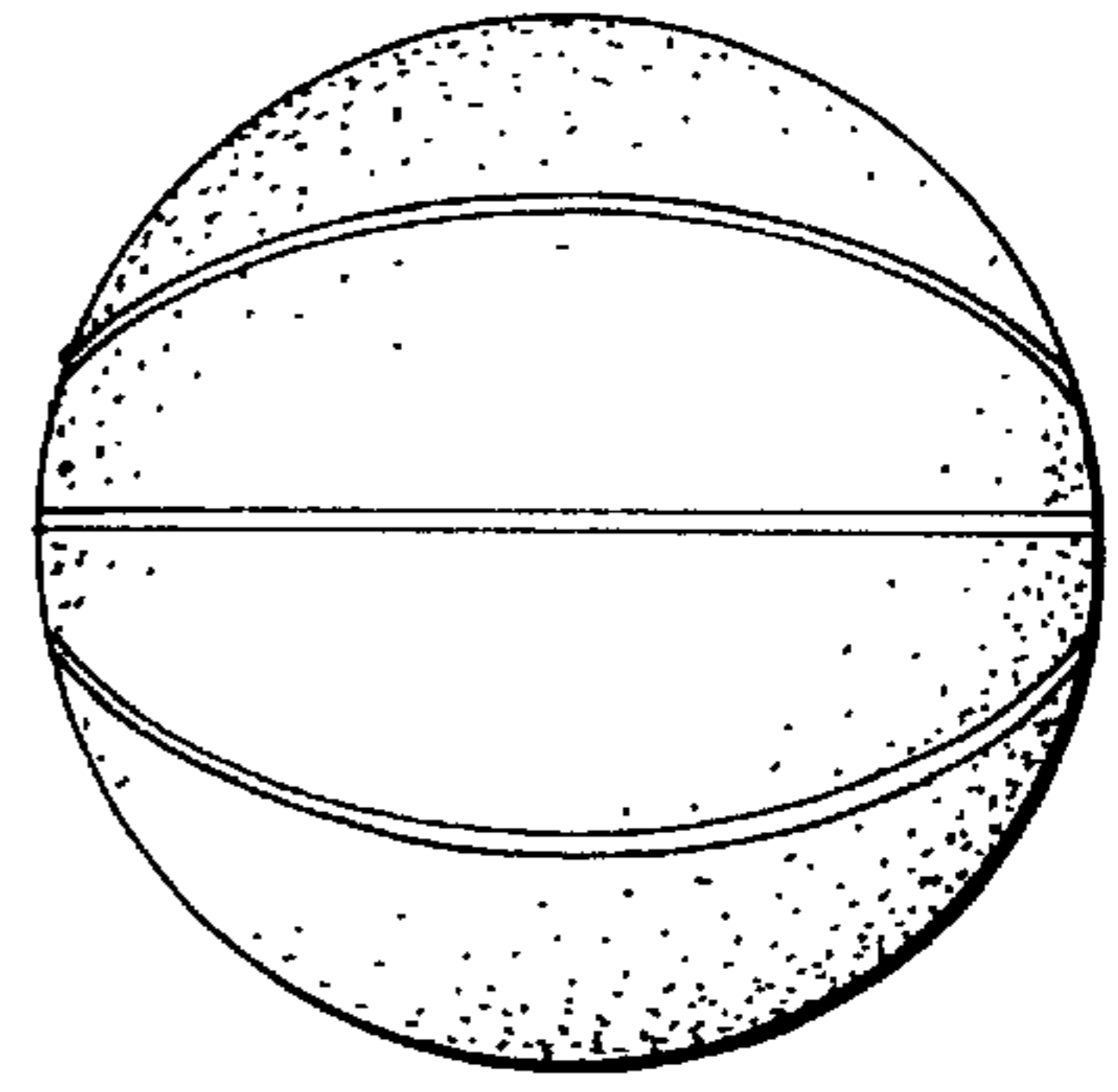


FIG. 4

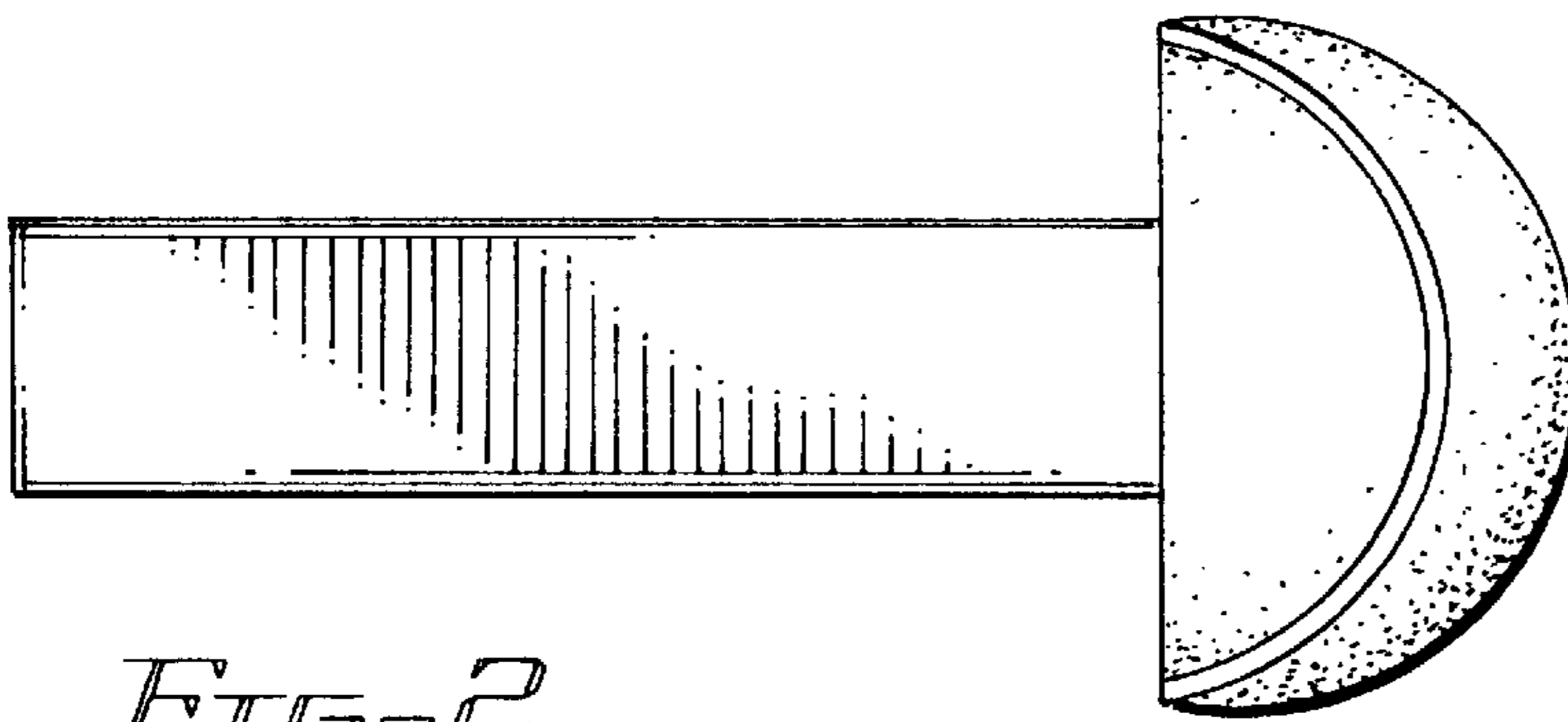


FIG. 2

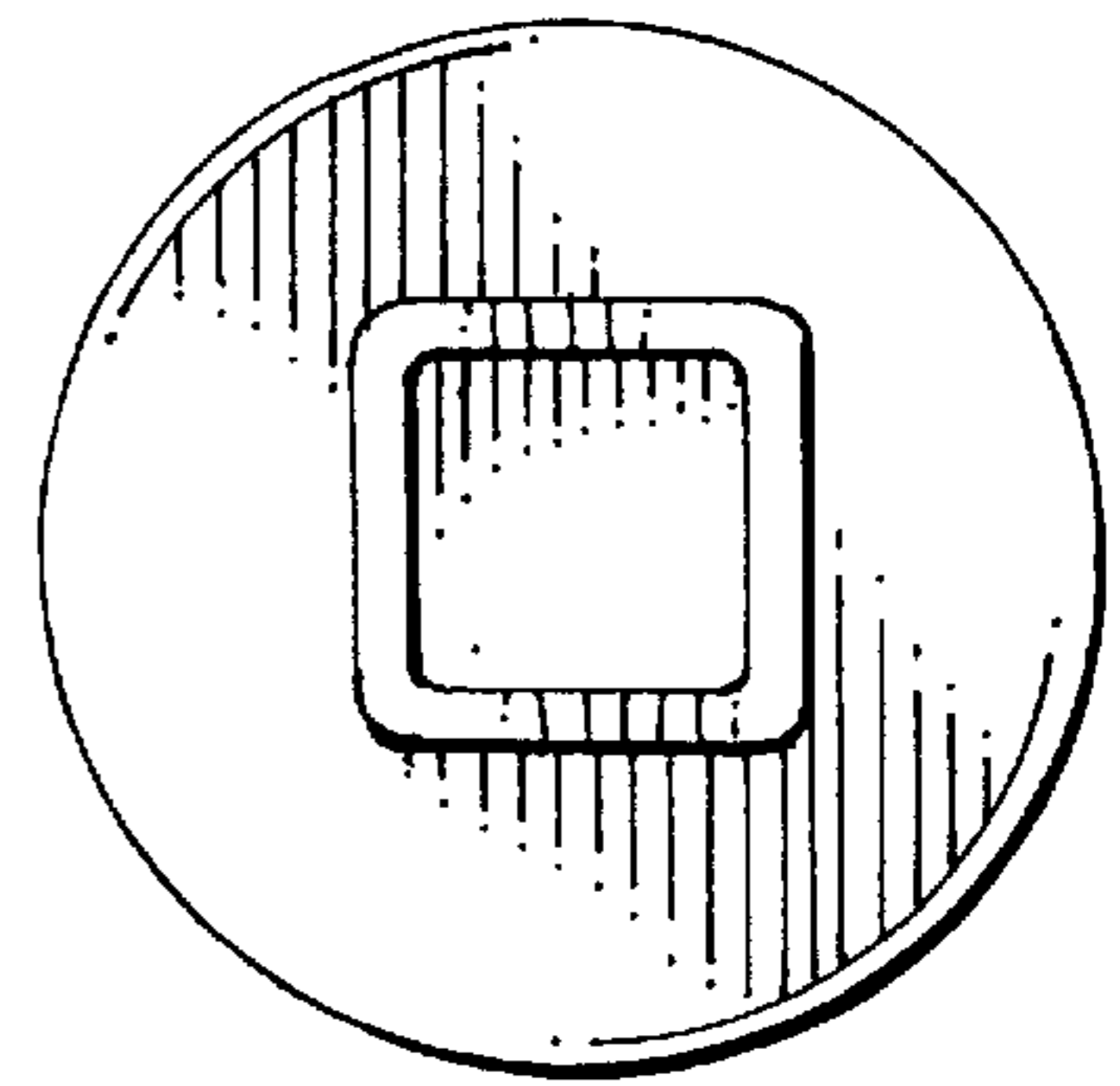


FIG. 5

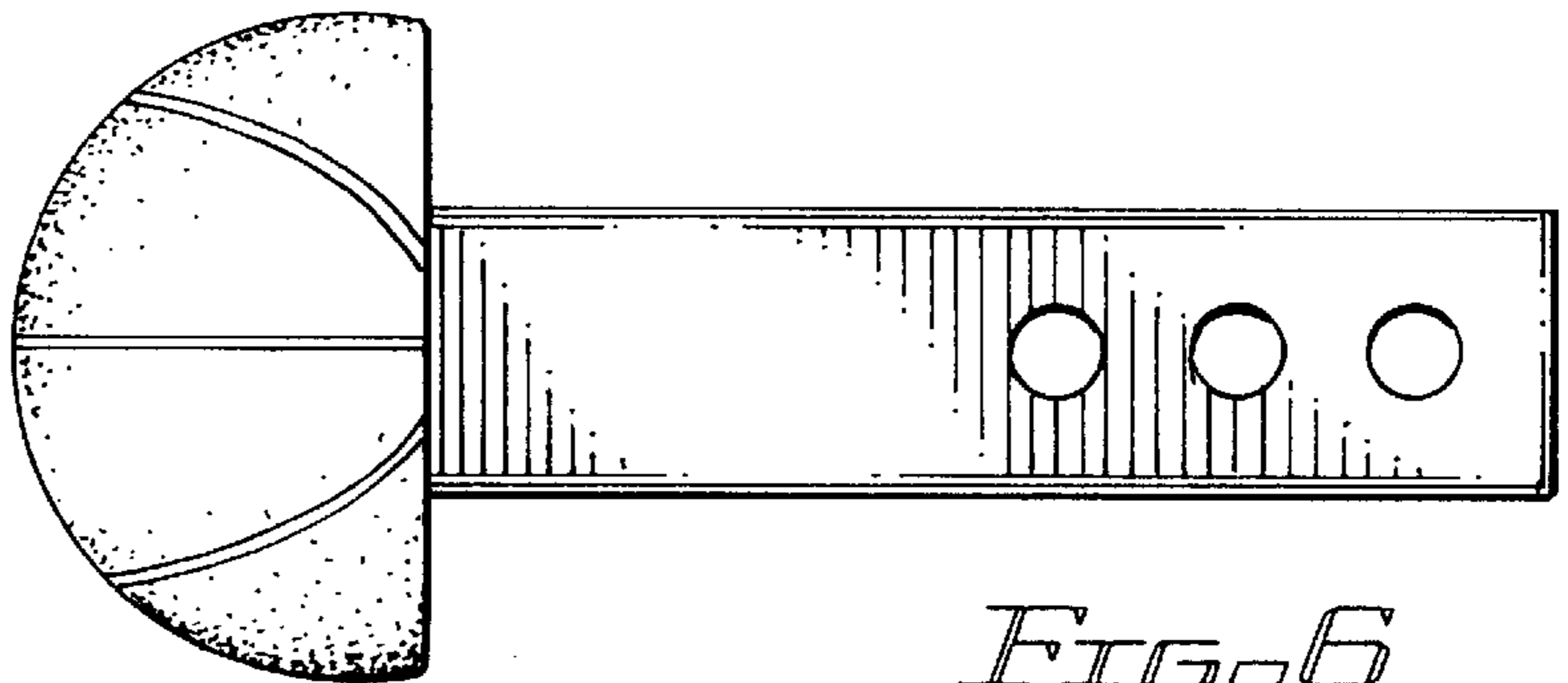


FIG. 6

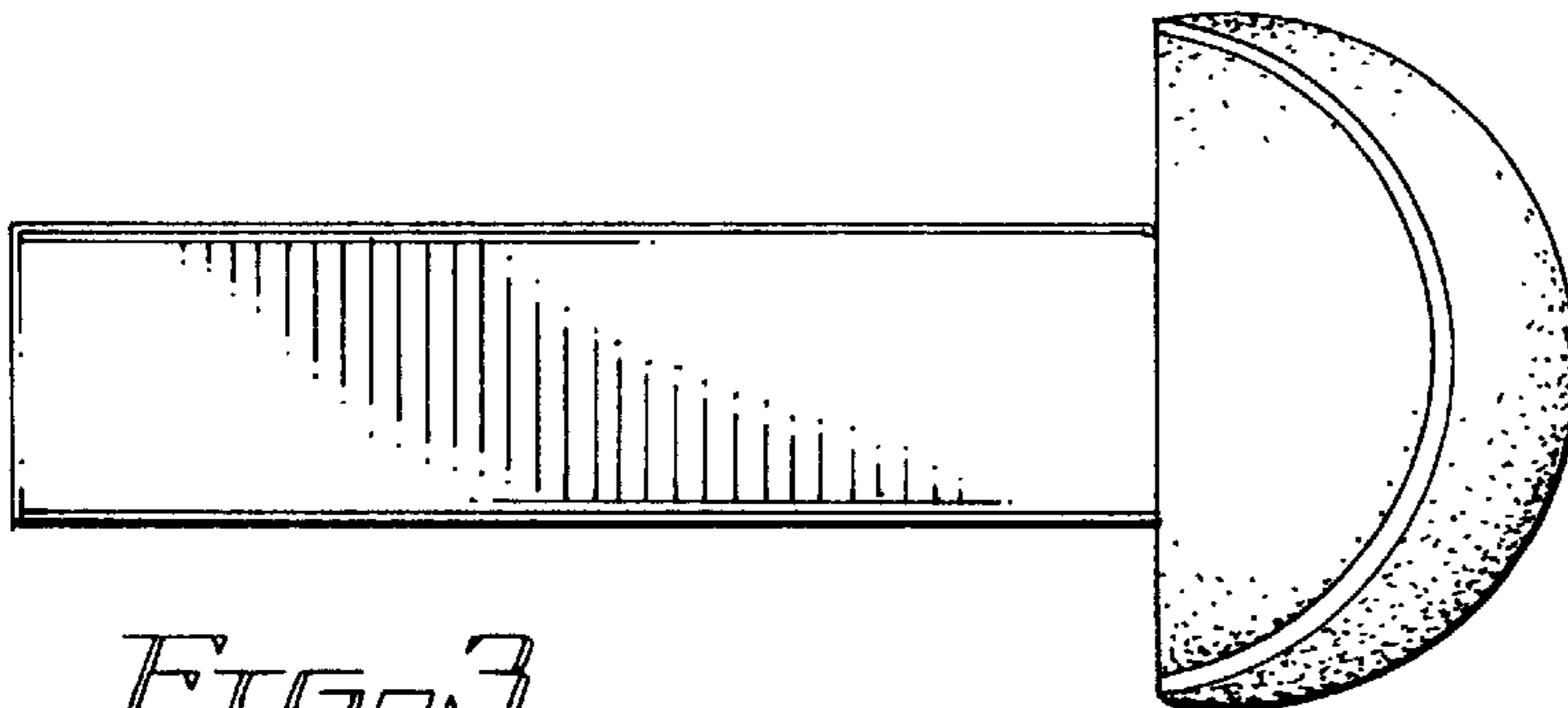


FIG. 3

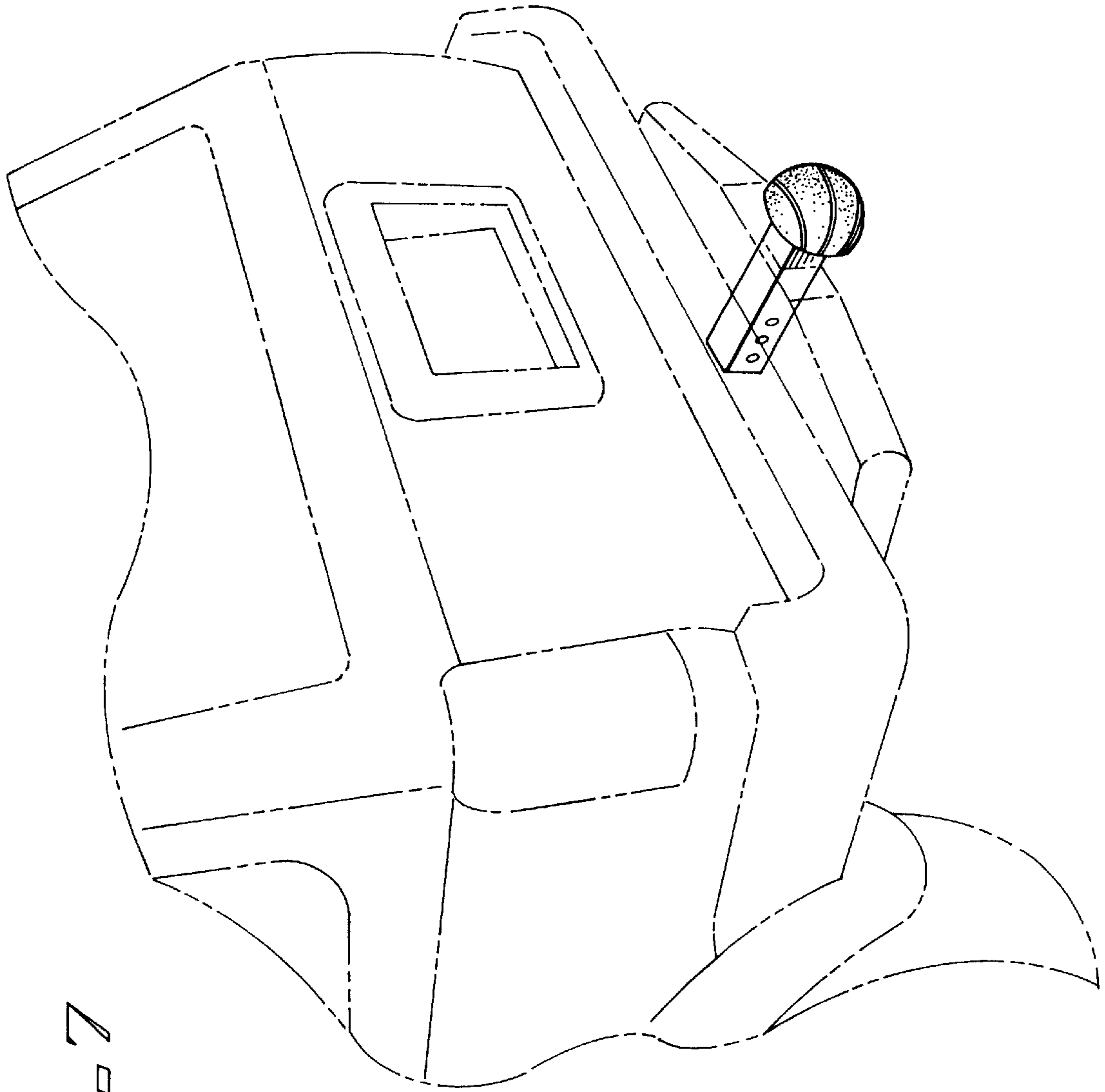


FIG. 7