



US00D401195S

United States Patent [19]
Chimenti

[11] **Patent Number: Des. 401,195**
[45] **Date of Patent: **Nov. 17, 1998**

[54] **RACK HITCH MOUNT**

[75] Inventor: **Thomas A. Chimenti**, Fairfield, Conn.

[73] Assignee: **Industri AB Thule**, Hillerstorp, Sweden

[**] Term: **14 Years**

[21] Appl. No.: **72,911**

[22] Filed: **Jun. 13, 1997**

[51] **LOC (6) Cl.** **12-16**

[52] **U.S. Cl.** **D12/162**

[58] **Field of Search** D12/162, 400;
224/521, 924; 280/490.1, 503, 507, 511,
727, 441.1, 441.2

[56] **References Cited**

U.S. PATENT DOCUMENTS

D. 293,229	12/1987	Smith	D12/162
D. 378,669	4/1997	Gregory	D12/162
2,676,720	4/1954	Noble	.	
2,685,913	8/1954	Schlueter	.	
3,301,421	1/1967	Lutters	.	
3,877,622	4/1975	McLain	.	
3,894,643	7/1975	Wilson	.	
4,298,151	11/1981	O'Connor	.	
4,301,953	11/1981	Abbott	224/924
4,400,129	8/1983	Eisenberg et al.	.	
4,561,575	12/1985	Jones	224/521
4,573,854	3/1986	McFarland	.	
4,676,413	6/1987	Began et al.	.	
4,676,414	6/1987	Deguevara	.	
4,682,749	7/1987	Sträter	.	
4,832,358	5/1989	Bull	280/441.2
4,887,754	12/1989	Boyer et al.	.	
5,042,705	8/1991	Johansson	.	
5,050,785	9/1991	Hays	.	
5,056,700	10/1991	Blackburt et al.	.	
5,092,503	3/1992	Cocks	.	
5,094,373	3/1992	Lovci	.	
5,096,102	3/1992	Tolson	.	
5,108,018	4/1992	Spinka	.	
5,181,822	1/1993	Allsop et al.	.	
5,190,195	3/1993	Fullhart et al.	.	

5,195,670	3/1993	Piretti et al.	.	
5,209,628	5/1993	Hassell	.	
5,232,135	8/1993	Marren	.	
5,303,857	4/1994	Hewson	.	
5,330,084	7/1994	Peters	.	
5,372,287	12/1994	Deguevara	224/521
5,373,978	12/1994	Buttchen et al.	.	
5,381,939	1/1995	Tippets	.	
5,449,101	9/1995	Van Dusen	224/521
5,449,189	9/1995	Hirschfeld	.	
5,469,997	11/1995	Carlson	.	
5,476,202	12/1995	Lipp	.	
5,489,110	2/1996	Van Dusen	224/521
5,497,927	3/1996	Peterson	.	
5,509,592	4/1996	Lipka	224/521
5,518,159	5/1996	DeGuevara	.	
5,526,971	6/1996	Despain	.	
5,527,146	6/1996	Allsop et al.	.	
5,529,231	6/1996	Burgess	.	
5,549,231	8/1996	Fletcher et al.	.	
5,690,260	11/1997	Aikins et al.	224/521

FOREIGN PATENT DOCUMENTS

2689468	10/1991	France	.
930997	5/1993	WIPO	.

Primary Examiner—Robert M. Spear
Attorney, Agent, or Firm—Royston, Rayzor, Vickery, Novak & Druce, L.L.P.

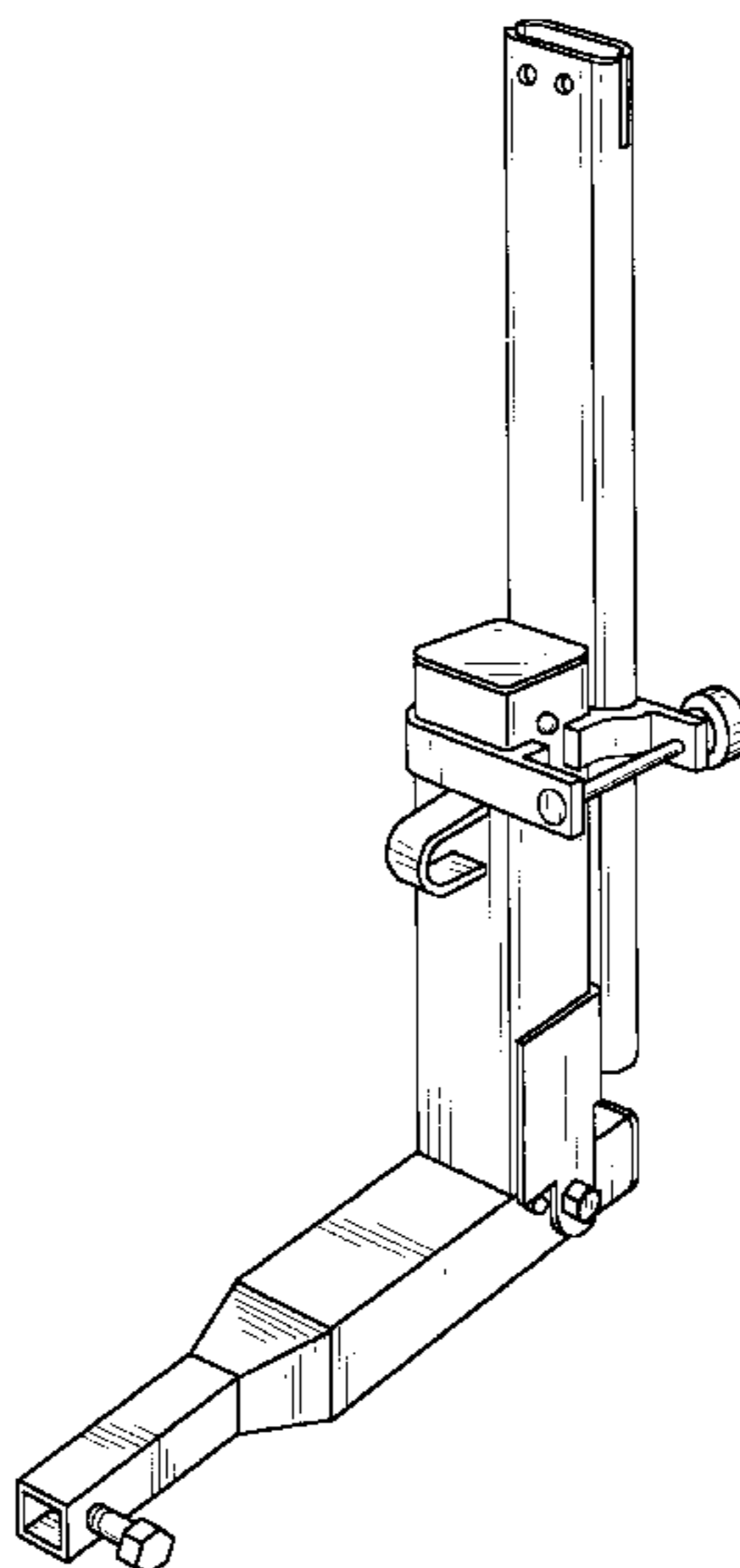
[57] **CLAIM**

I claim the ornamental design for the rack hitch mount, as shown and described.

DESCRIPTION

FIG. 1 is a perspective view of the rack hitch mount showing my new design;
FIG. 2 is a top plan view thereof;
FIG. 3 is a front elevational view thereof;
FIG. 4 is a right side elevational view thereof;
FIG. 5 is a back elevational view thereof;
FIG. 6 is a left side elevational view thereof; and,
FIG. 7 is a bottom plan view thereof.

1 Claim, 3 Drawing Sheets



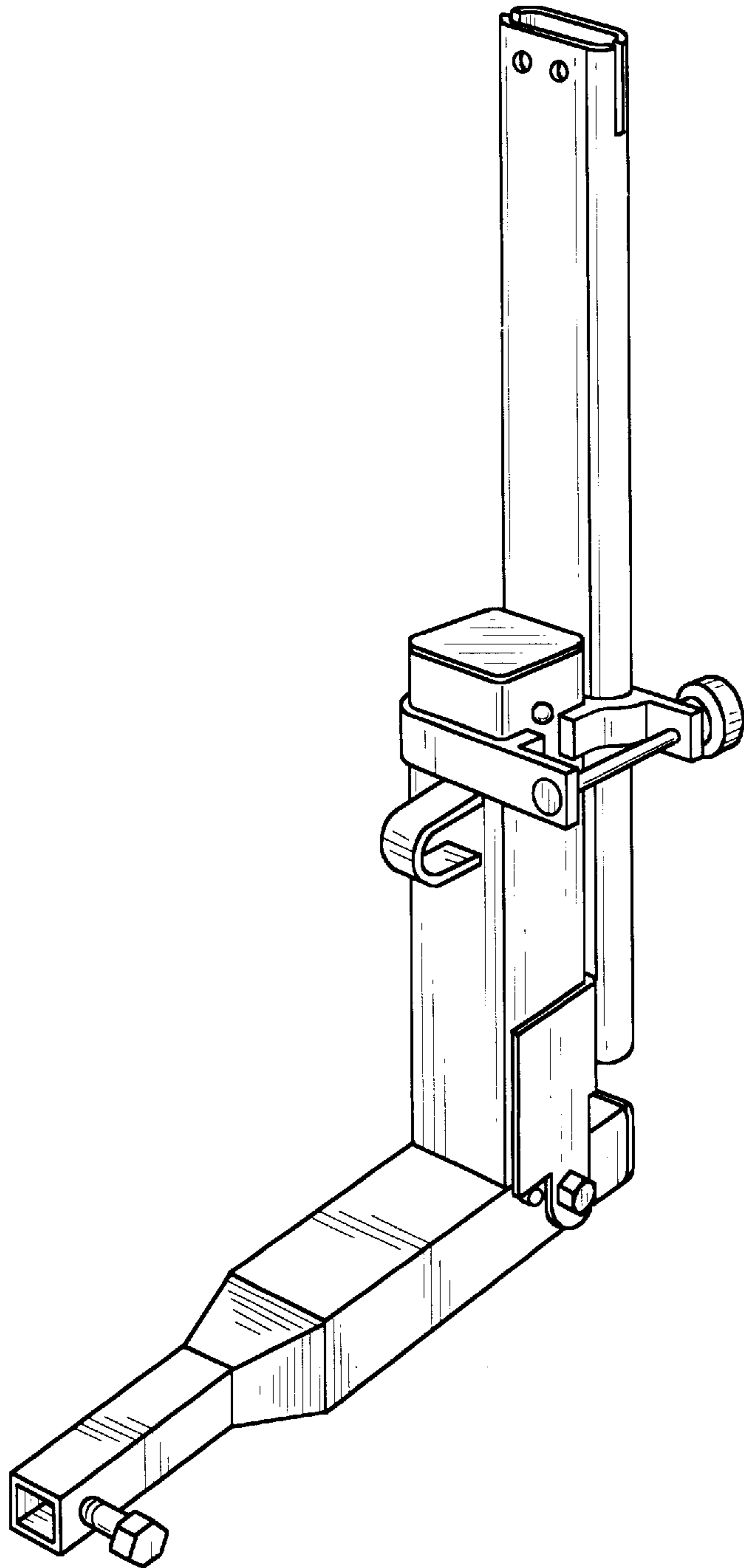


Fig. 1

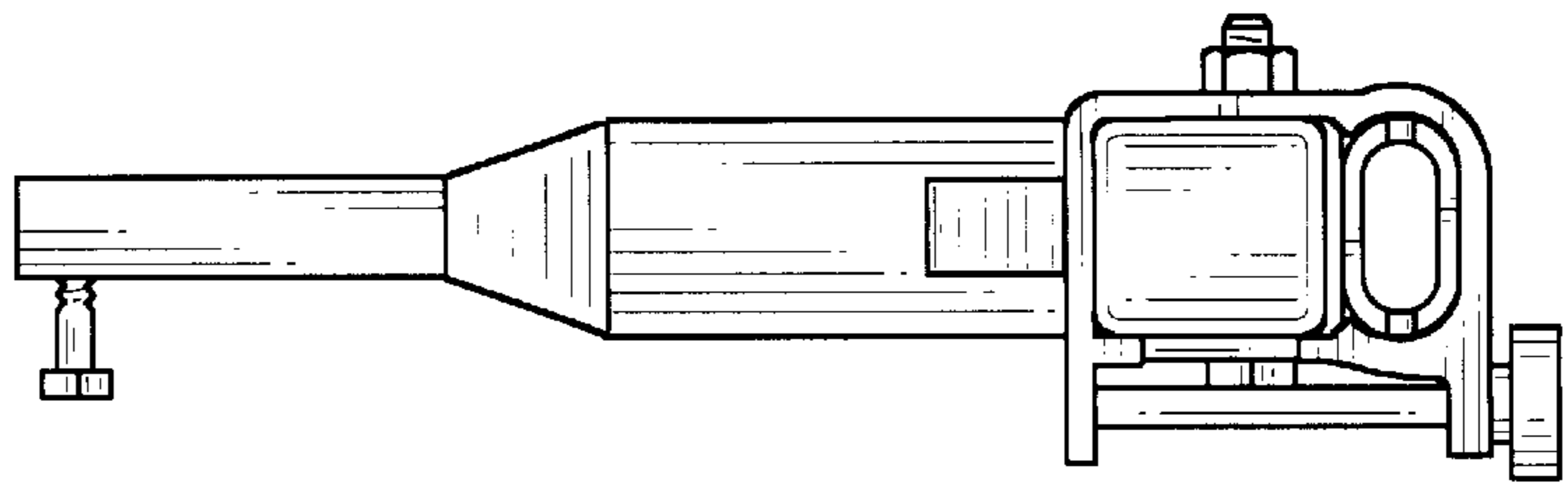


Fig. 2

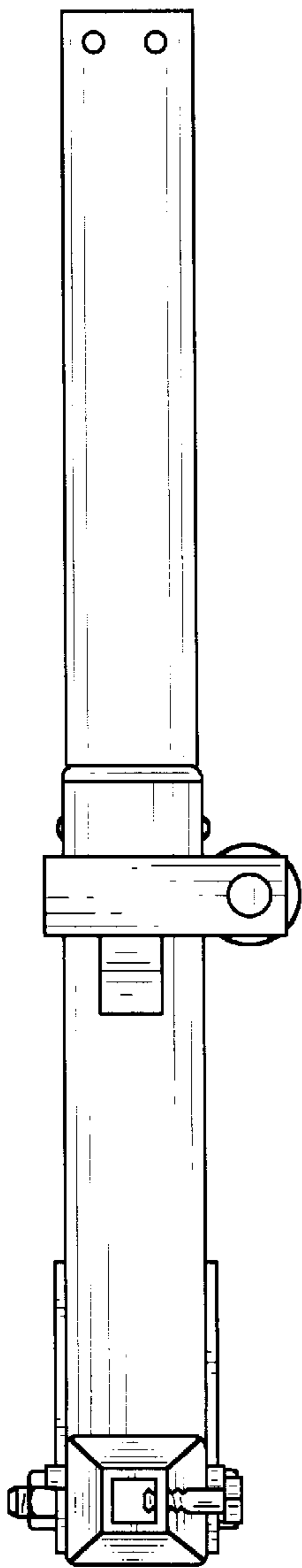


Fig. 3

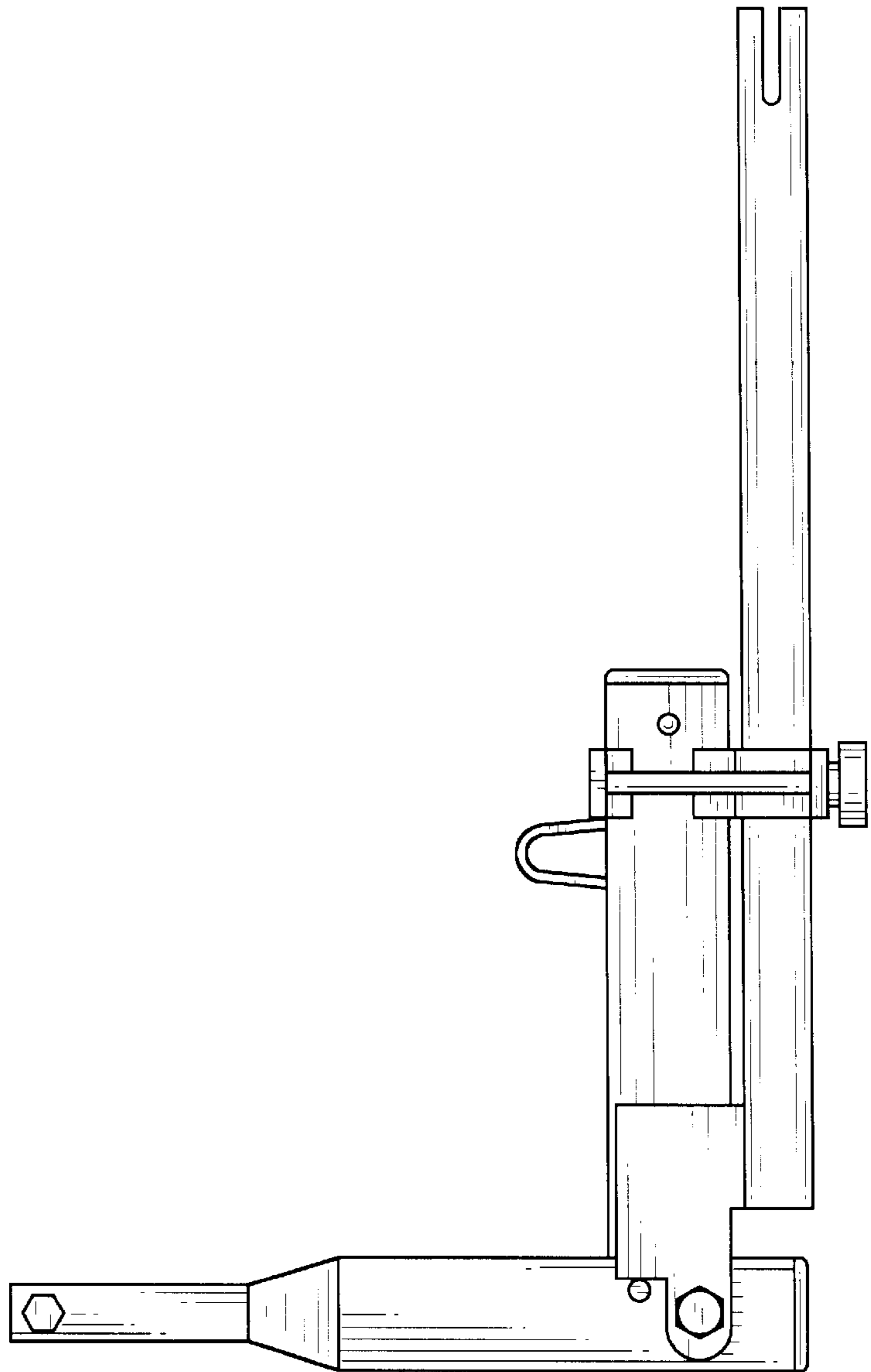


Fig. 4

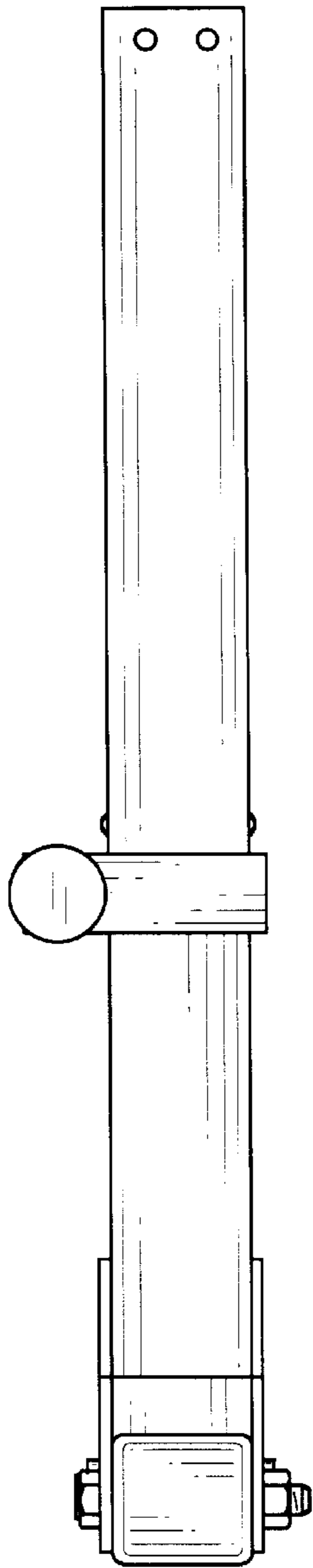


Fig. 5

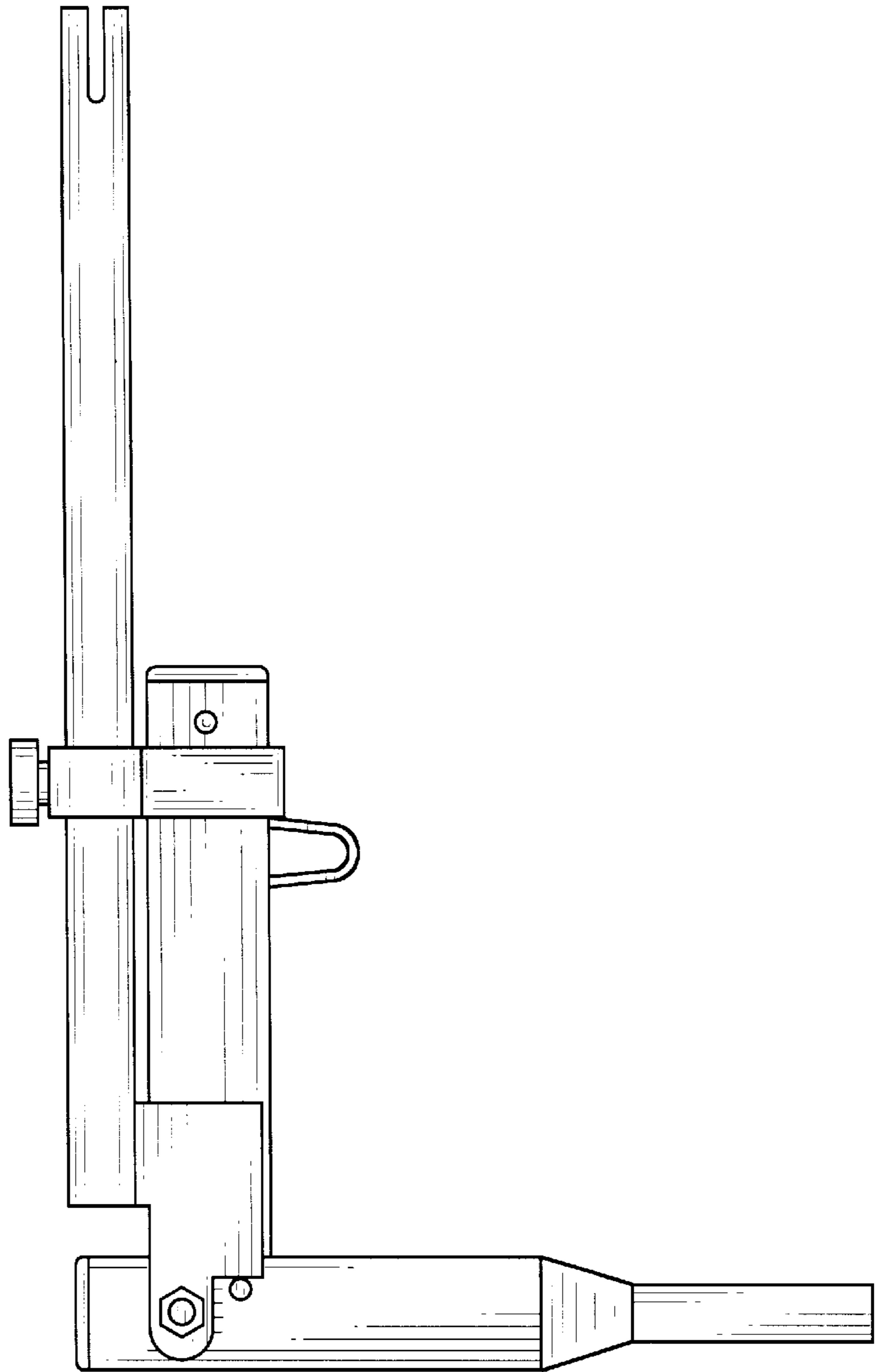


Fig. 6

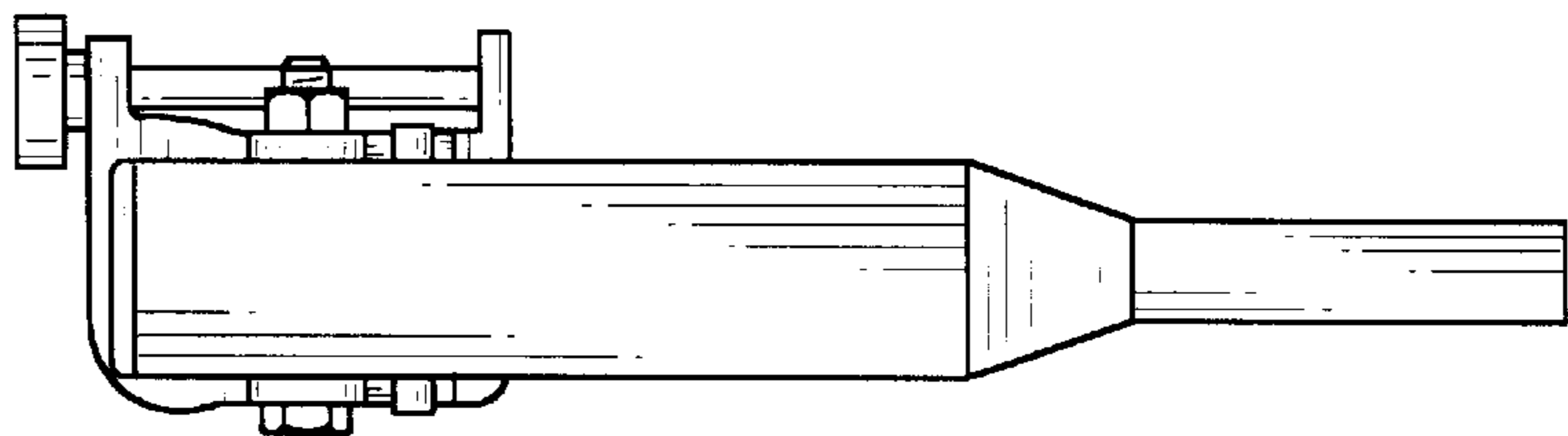


Fig. 7