



US00D401193S

United States Patent [19] Julian

[11] **Patent Number: Des. 401,193**

[45] **Date of Patent: **Nov. 17, 1998**

[54] **FOOTBALL HELMET HITCH PLUG**

[76] Inventor: **Patrick M. Julian**, 6909 Weedin Pl.
N.E., Apartment B-402, Seattle, Wash.
98115

[**] Term: **14 Years**

[21] Appl. No.: **86,725**

[22] Filed: **Apr. 18, 1998**

[51] **LOC (6) Cl.** **12-16**

[52] **U.S. Cl.** **D12/162**

[58] **Field of Search** D12/162, 400;
D9/307, 441, 451; 211/14; 280/477, 490.1,
507, 511; D29/106

[56] **References Cited**

U.S. PATENT DOCUMENTS

D. 317,890	7/1991	Bachmann	D12/162
D. 330,857	11/1992	Kidd	D9/451
D. 344,257	2/1994	Eppard	D12/162
D. 359,018	6/1995	Thigpen	D12/162
D. 369,996	5/1996	Wylie	D12/162
D. 382,473	8/1997	Egender	D9/307
D. 387,660	12/1997	Packard	D9/307
D. 391,852	3/1998	Tucker	D6/451

Primary Examiner—Robert M. Spear
Attorney, Agent, or Firm—Snell & Wilmer, L.L.P.

[57] **CLAIM**

The ornamental design for a football helmet hitch plug, as shown and described.

DESCRIPTION

FIG. 1 is a perspective view of a football helmet hitch plug showing my new design;
 FIG. 2 is a front elevational view of the football helmet hitch plug;
 FIG. 3 is a side elevational view of the football helmet hitch plug;
 FIG. 4 is a rear elevational view of the football helmet hitch plug;
 FIG. 5 is an opposite side elevational view of the football helmet hitch plug;
 FIG. 6 is a top plan view of the football helmet hitch plug;
 FIG. 7 is a bottom plan view of the football helmet hitch plug; and,
 FIG. 8 is a perspective view, shown at a reduced scale, of the football helmet hitch plug mounted on the hitch of a vehicle. The broken line showing of a vehicle is for illustrative purposes only and forms no part of the claimed design.

1 Claim, 5 Drawing Sheets

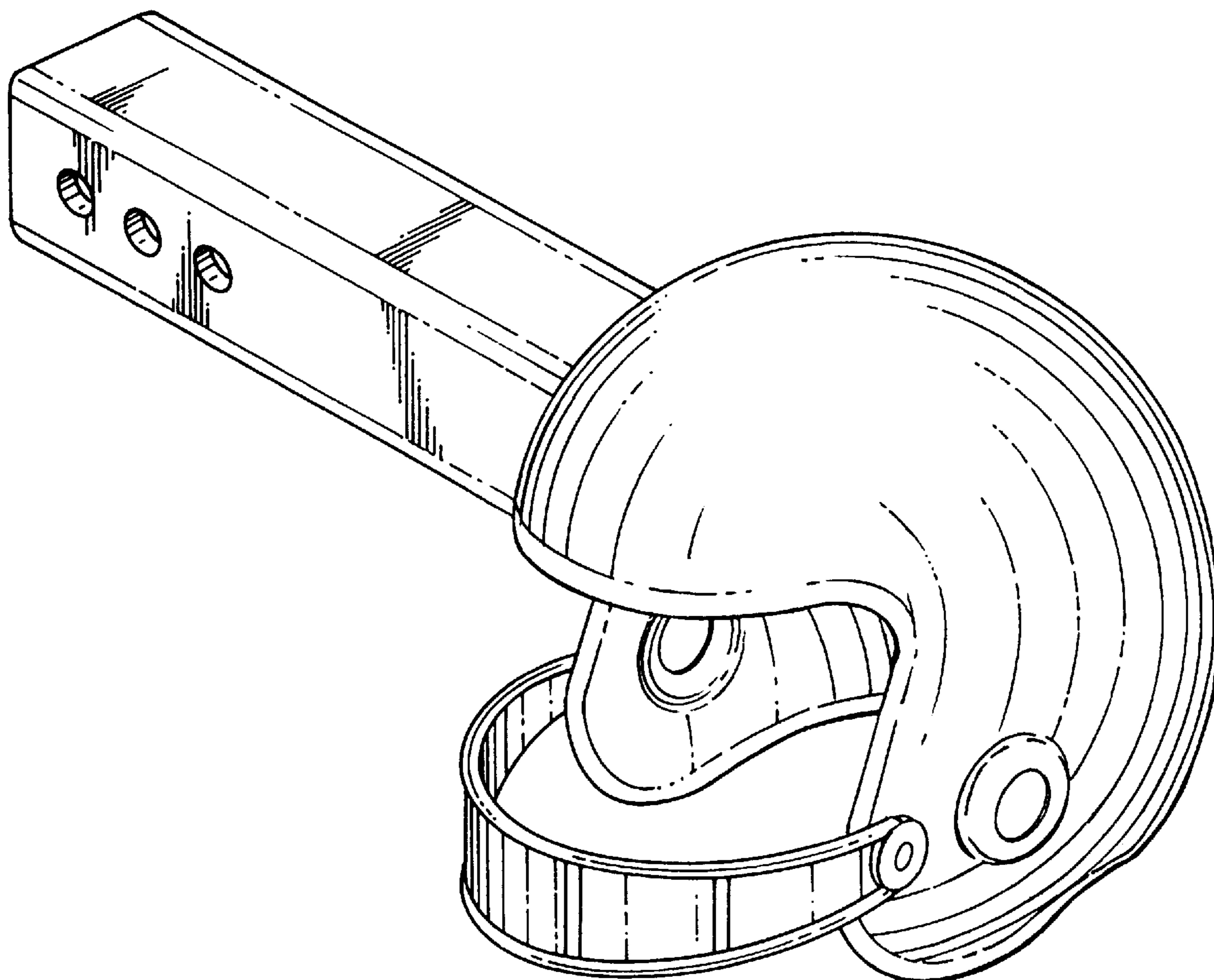


FIG. 1

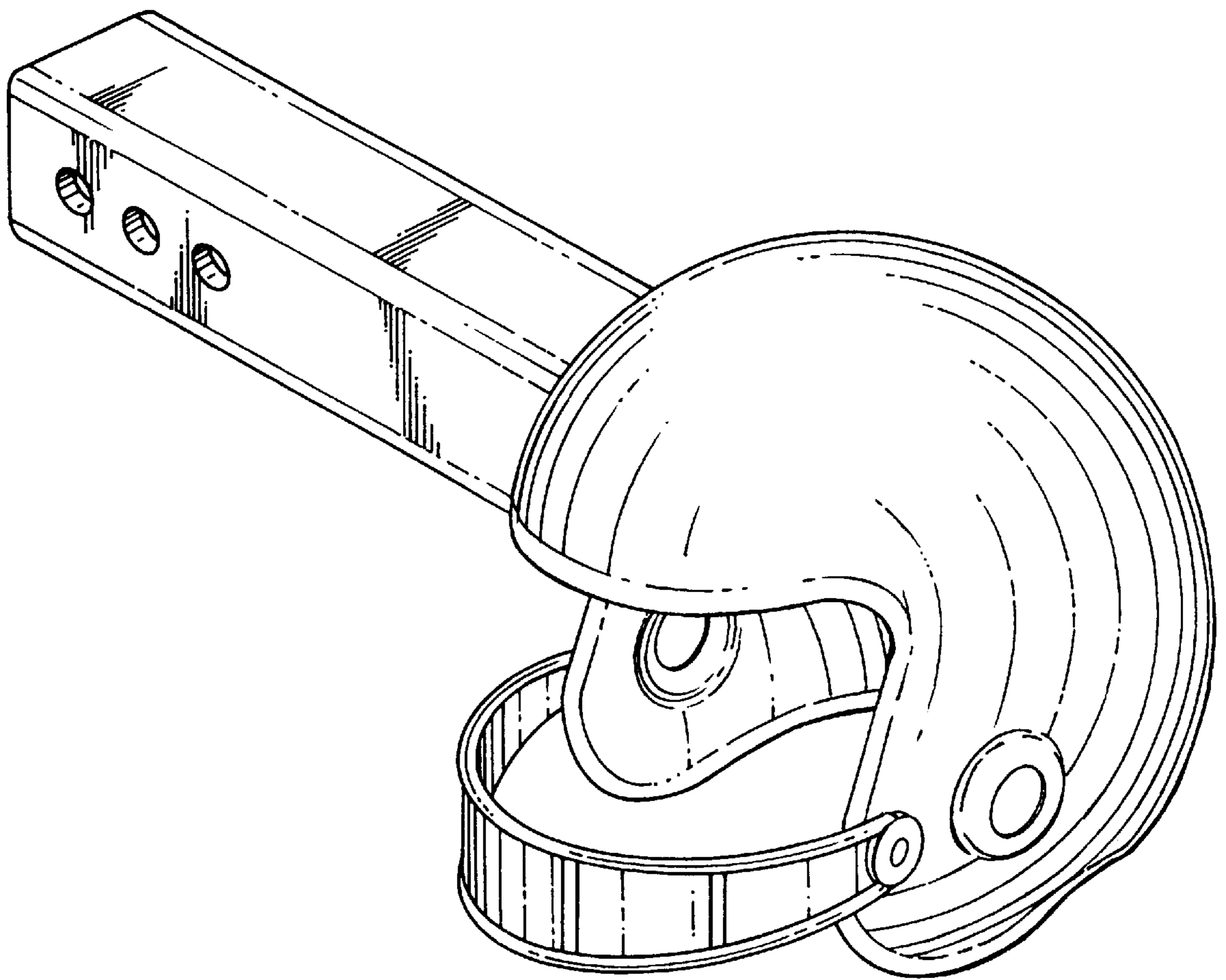


FIG. 2

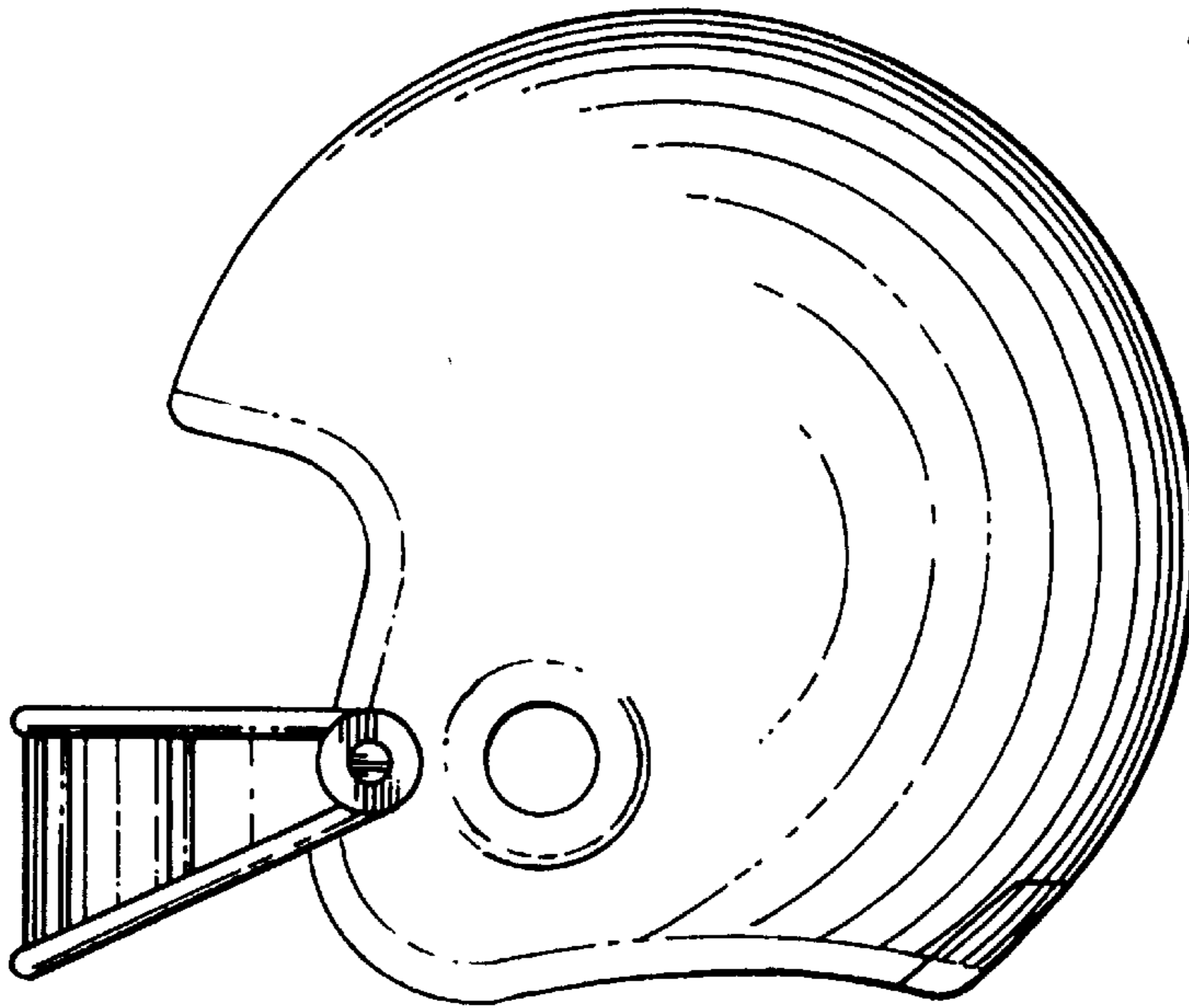


FIG. 3

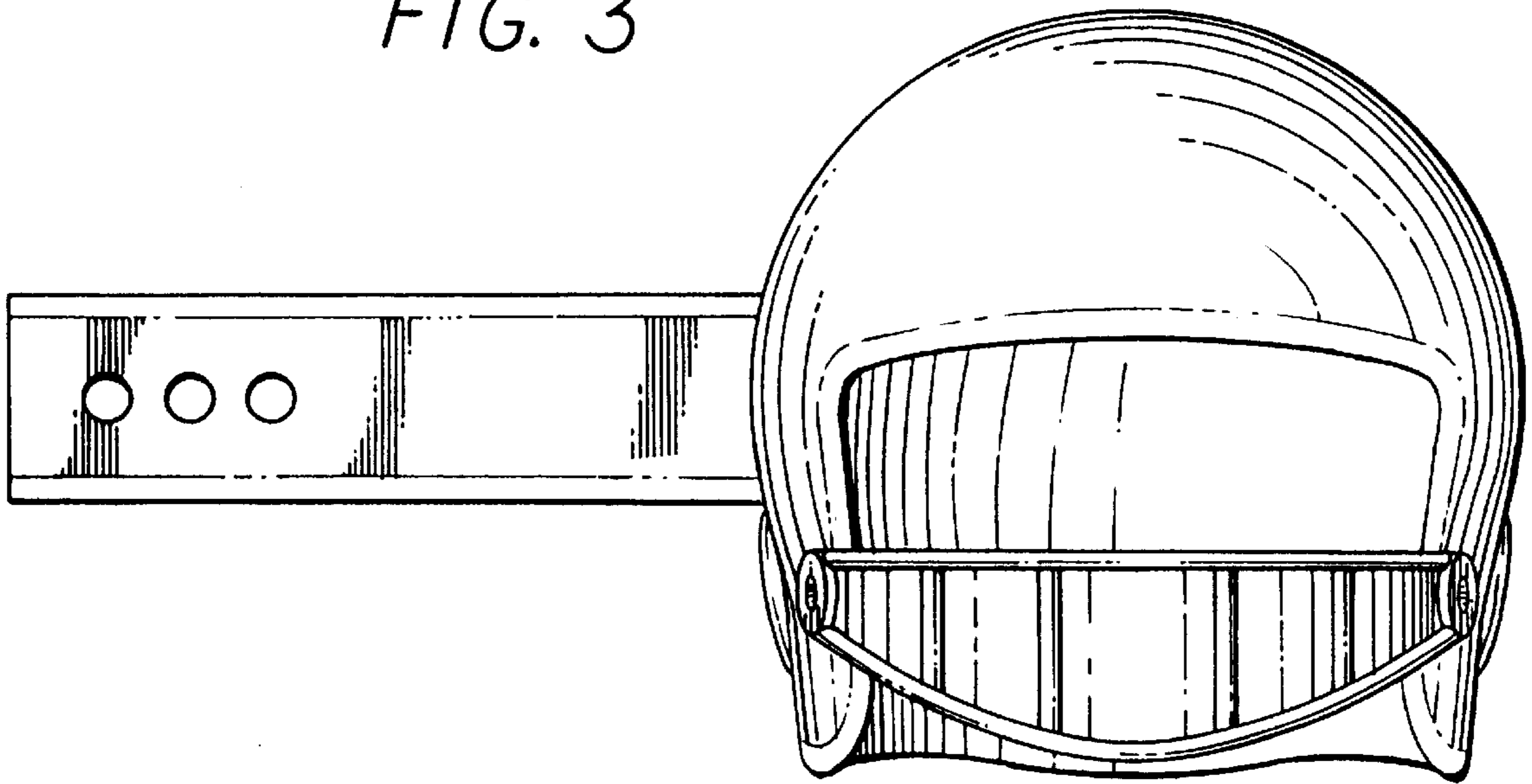


FIG. 4

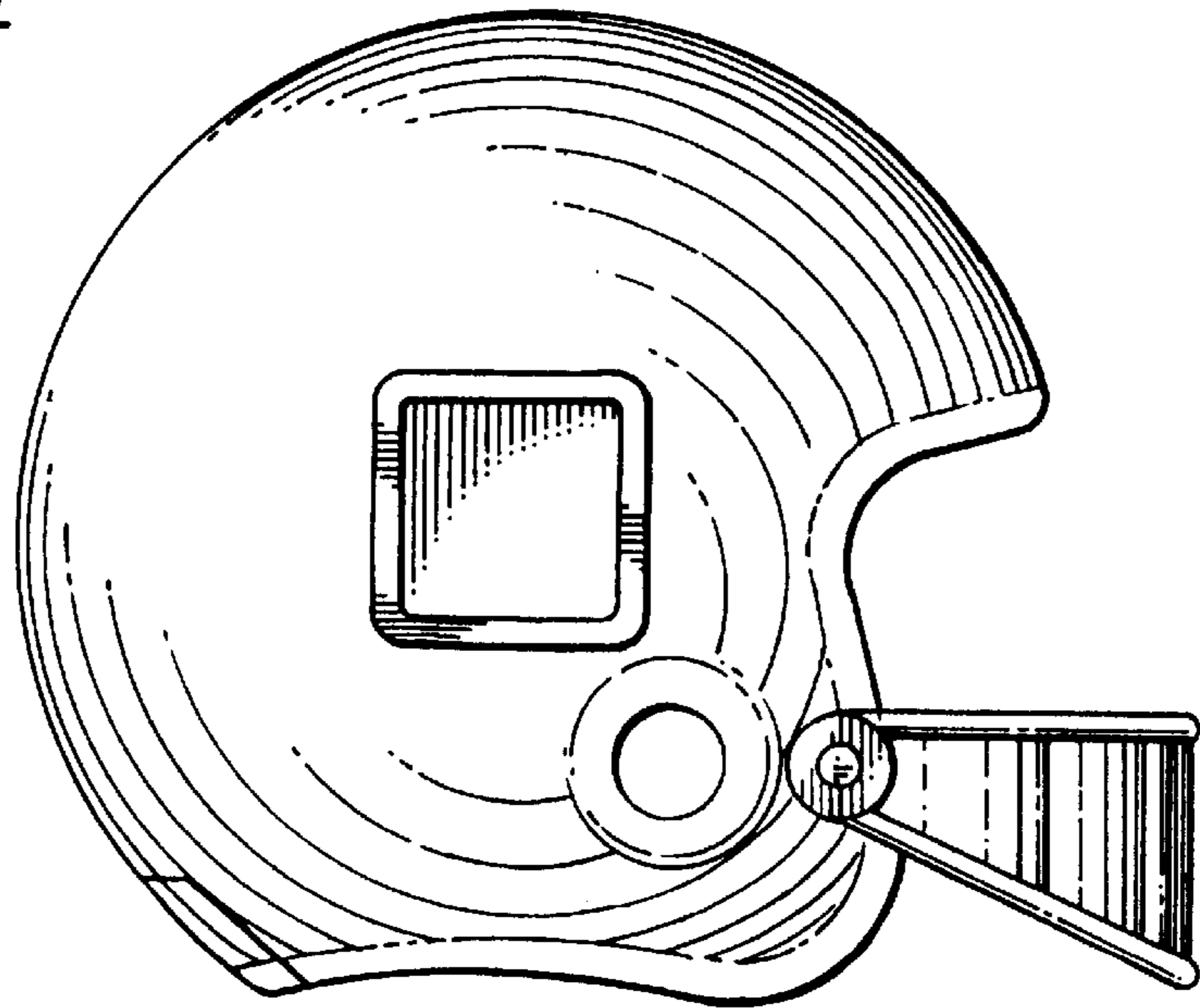
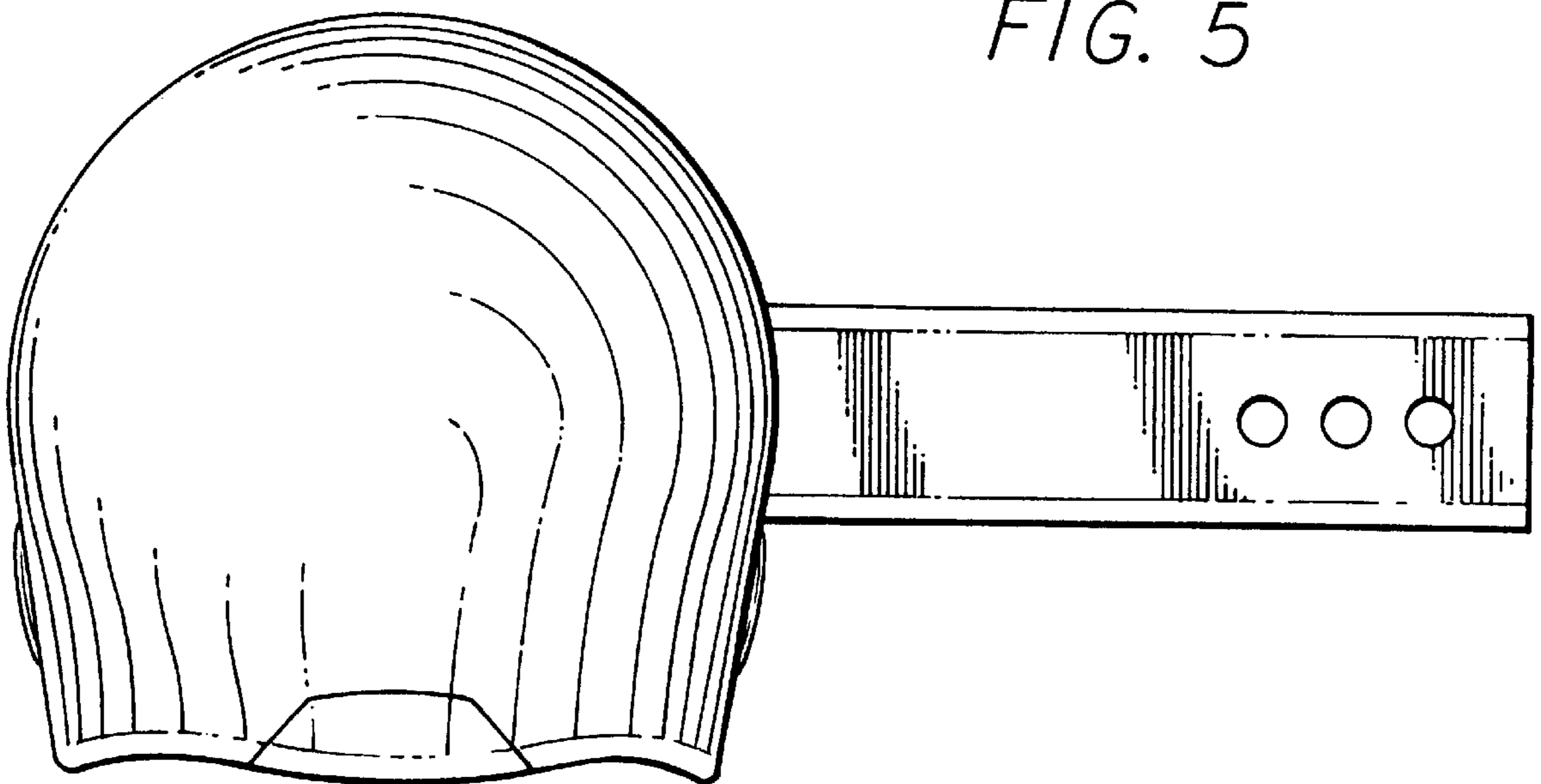


FIG. 5



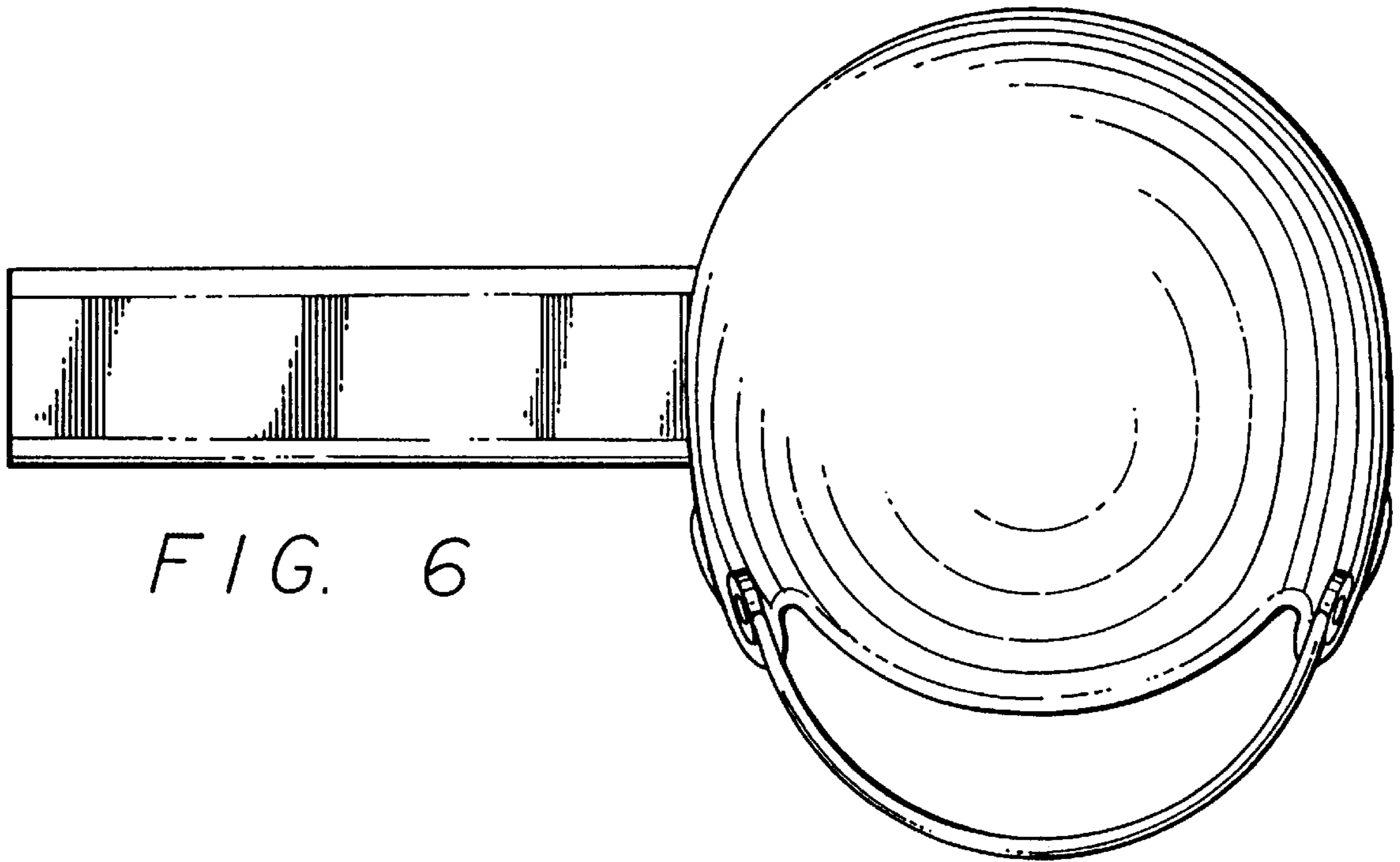


FIG. 6

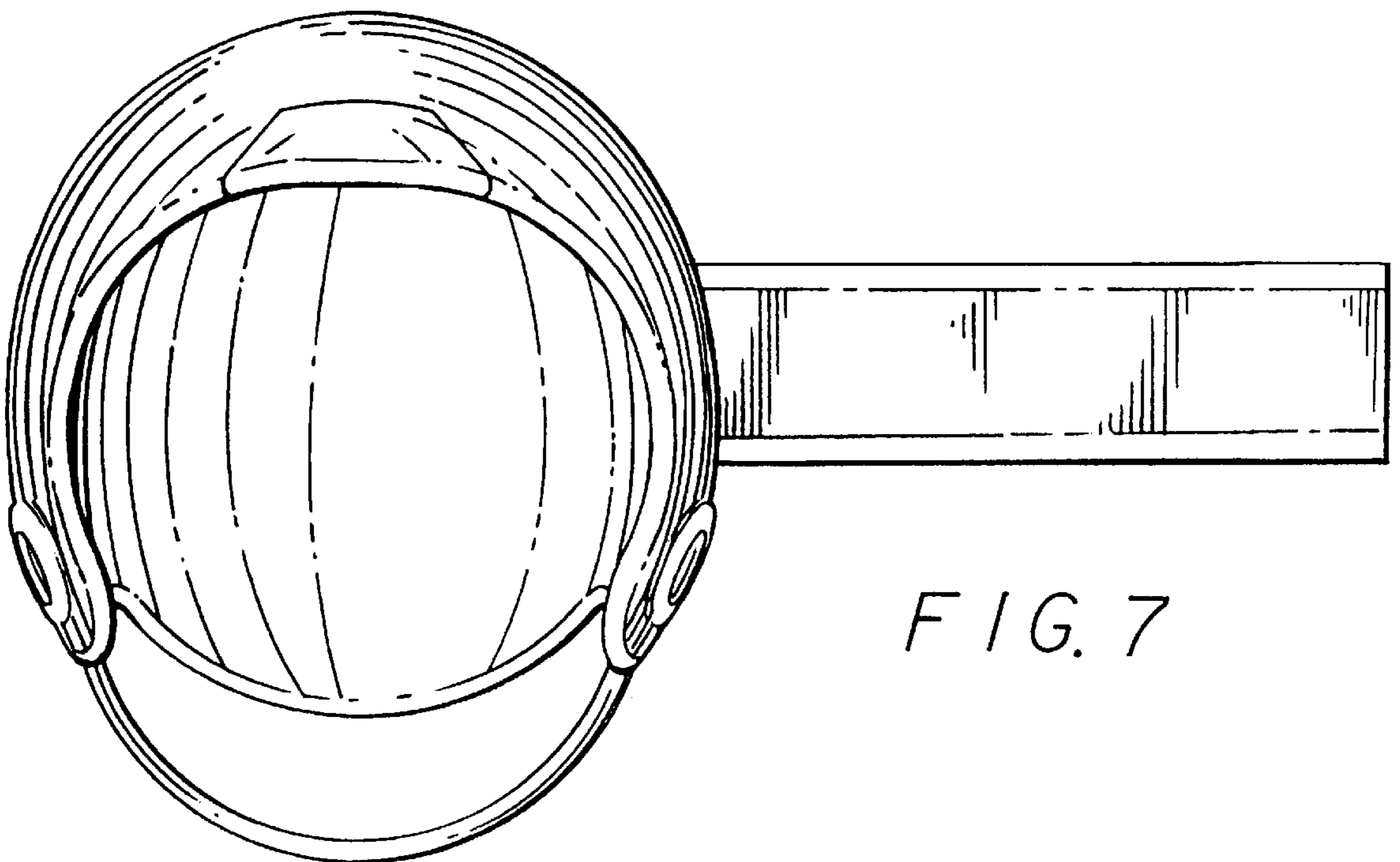


FIG. 7

FIG. 8

