



US00D401192S

United States Patent [19] Gagnon

[11] **Patent Number: Des. 401,192**

[45] **Date of Patent: **Nov. 17, 1998**

[54] **WHEELCHAIR HANDLE**

5,667,236 9/1997 Murphy 280/304.1

[76] Inventor: **Brian Gagnon**, 4311 NW. 64th Ave.,
Coral Springs, Fla. 33067

Primary Examiner—Kay H. Chin
Attorney, Agent, or Firm—Robert M. Downey, P.A.

[**] Term: **14 Years**

[57] **CLAIM**

[21] Appl. No.: **84,304**

The ornamental design for a wheelchair handle, as shown and described.

[22] Filed: **Feb. 27, 1998**

DESCRIPTION

[51] **LOC (6) Cl.** **12-12**

[52] **U.S. Cl.** **D12/133; D12/131**

[58] **Field of Search** D12/128, 131,
D12/133; 280/246, 250.1, 304.1; 180/6.5,
65.1, 65.6, 21, 907, 908; 297/DIG. 4; 188/2 F

FIG. 1 is a top front perspective view of a wheelchair handle showing my new design;

FIG. 2 is a front elevational view thereof;

FIG. 3 is a rear elevational view thereof;

FIG. 4 is a top plan view thereof;

FIG. 5 is a bottom plan view thereof;

FIG. 6 is a right side elevational view thereof; and,

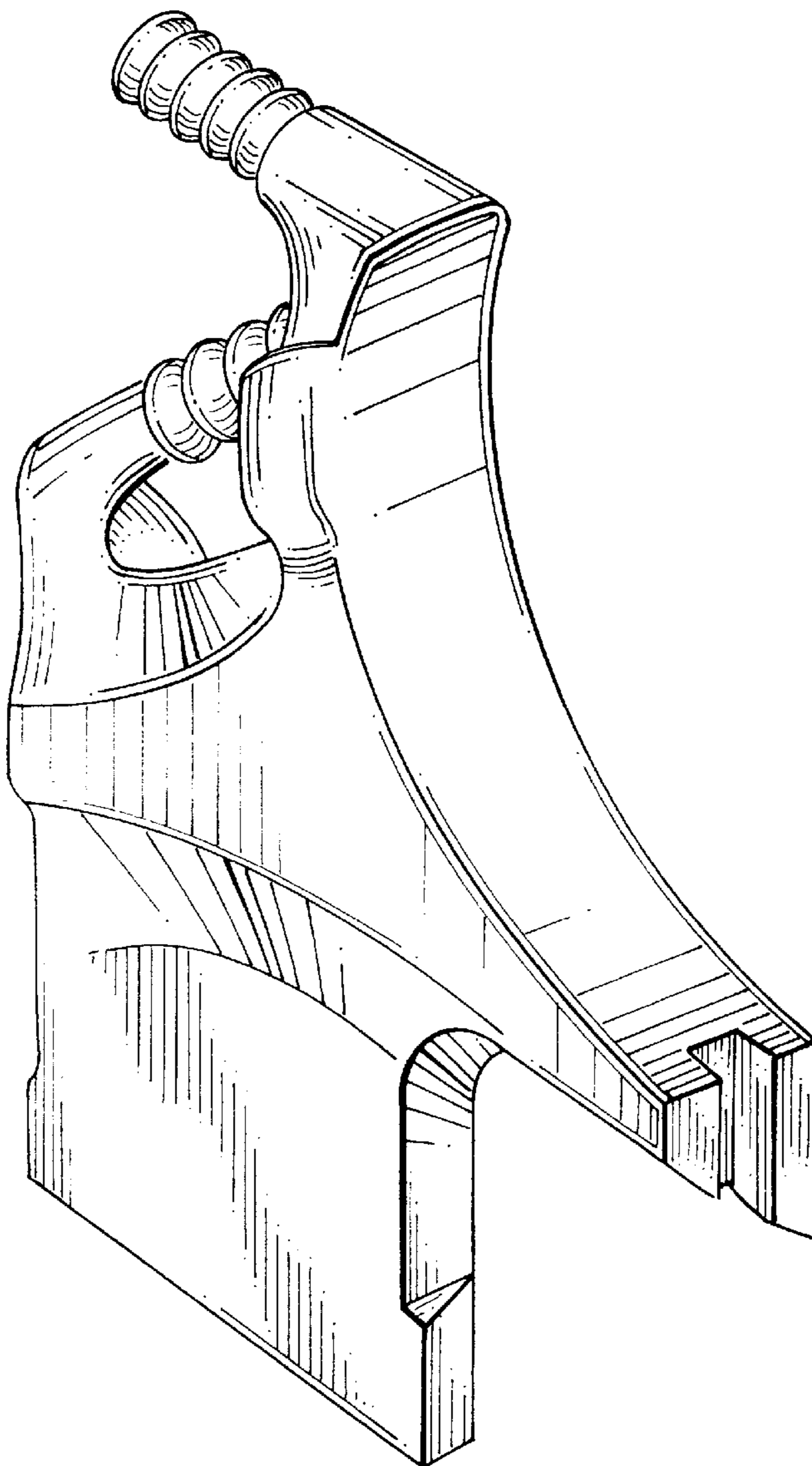
FIG. 7 is a left side elevational view thereof.

[56] **References Cited**

U.S. PATENT DOCUMENTS

4,852,697 8/1989 Kulik 188/2 F
5,294,141 3/1994 Mentessi et al. 280/250.1

1 Claim, 2 Drawing Sheets



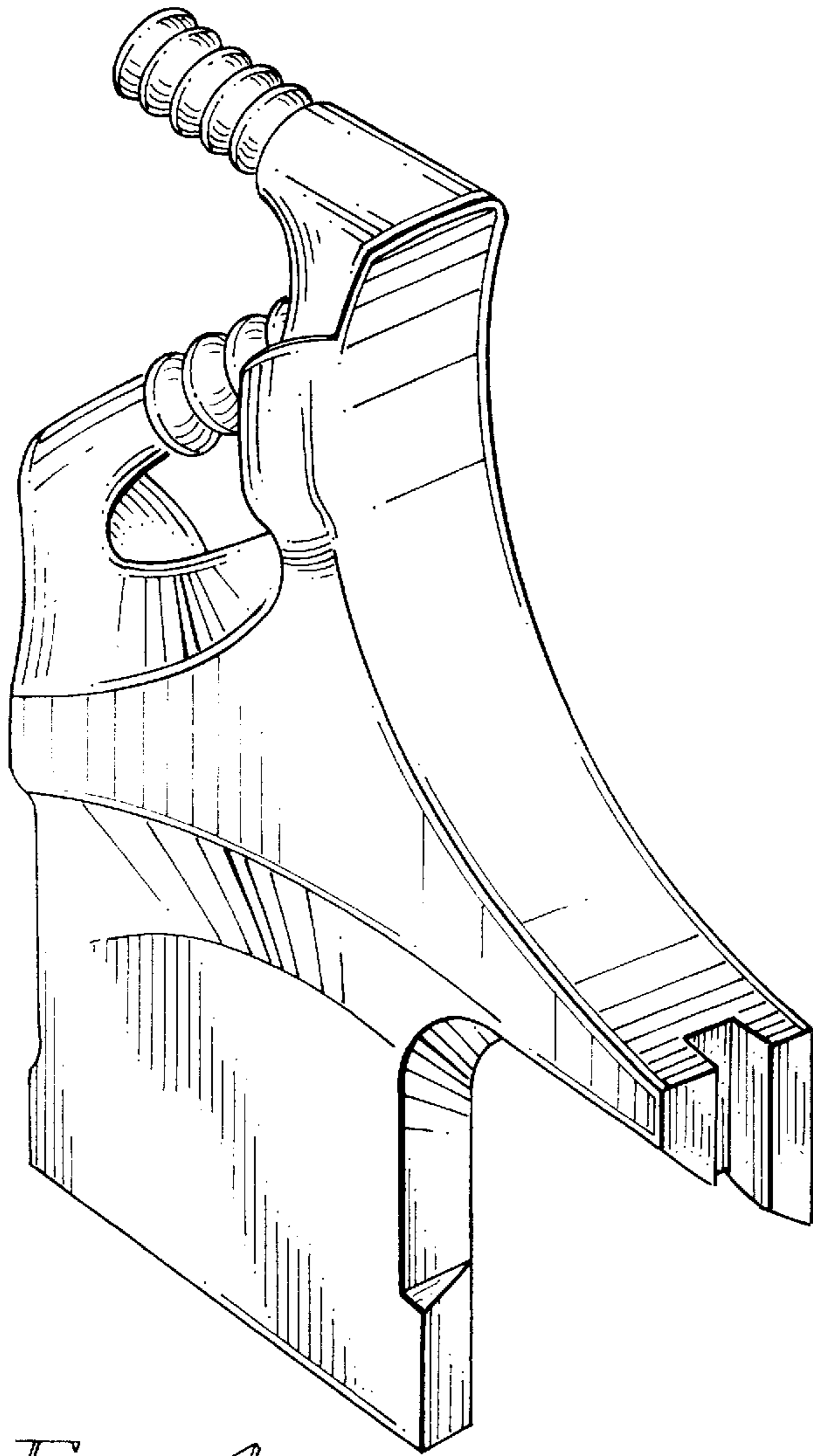


FIG. 1

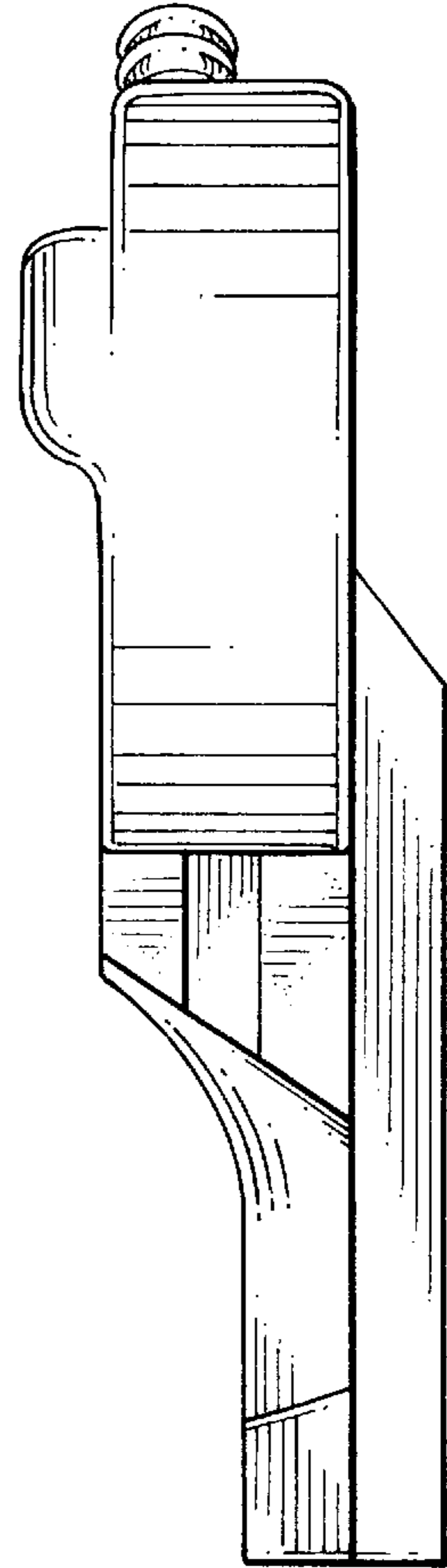


FIG. 2

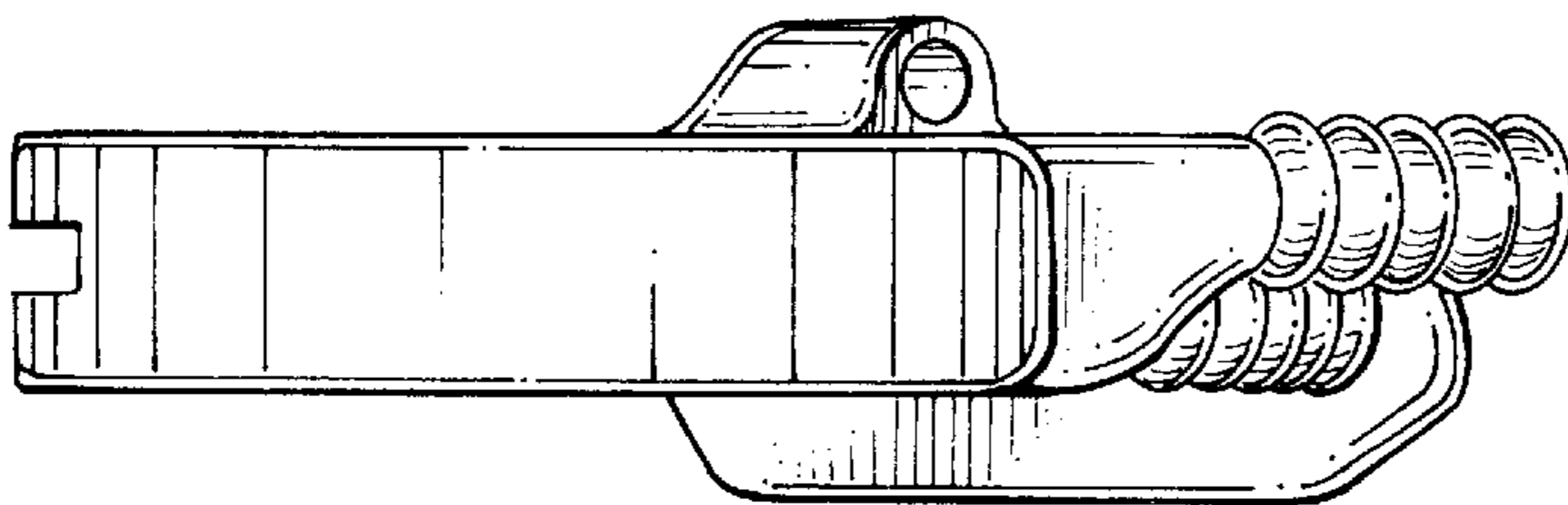
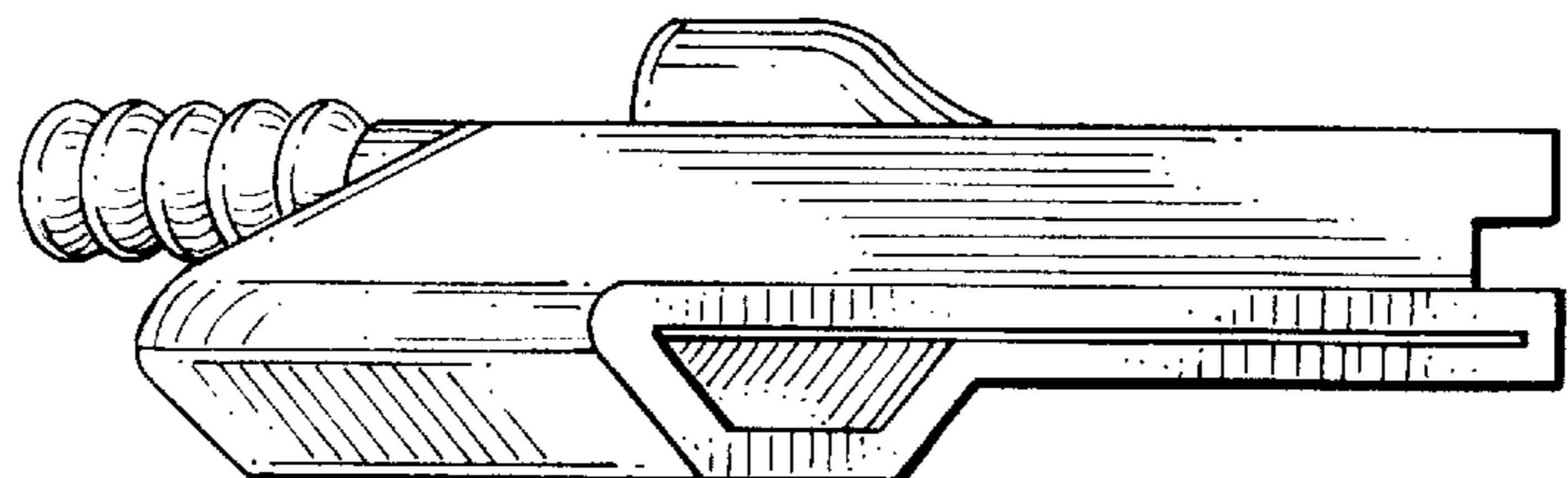


FIG. 4

FIG. 5



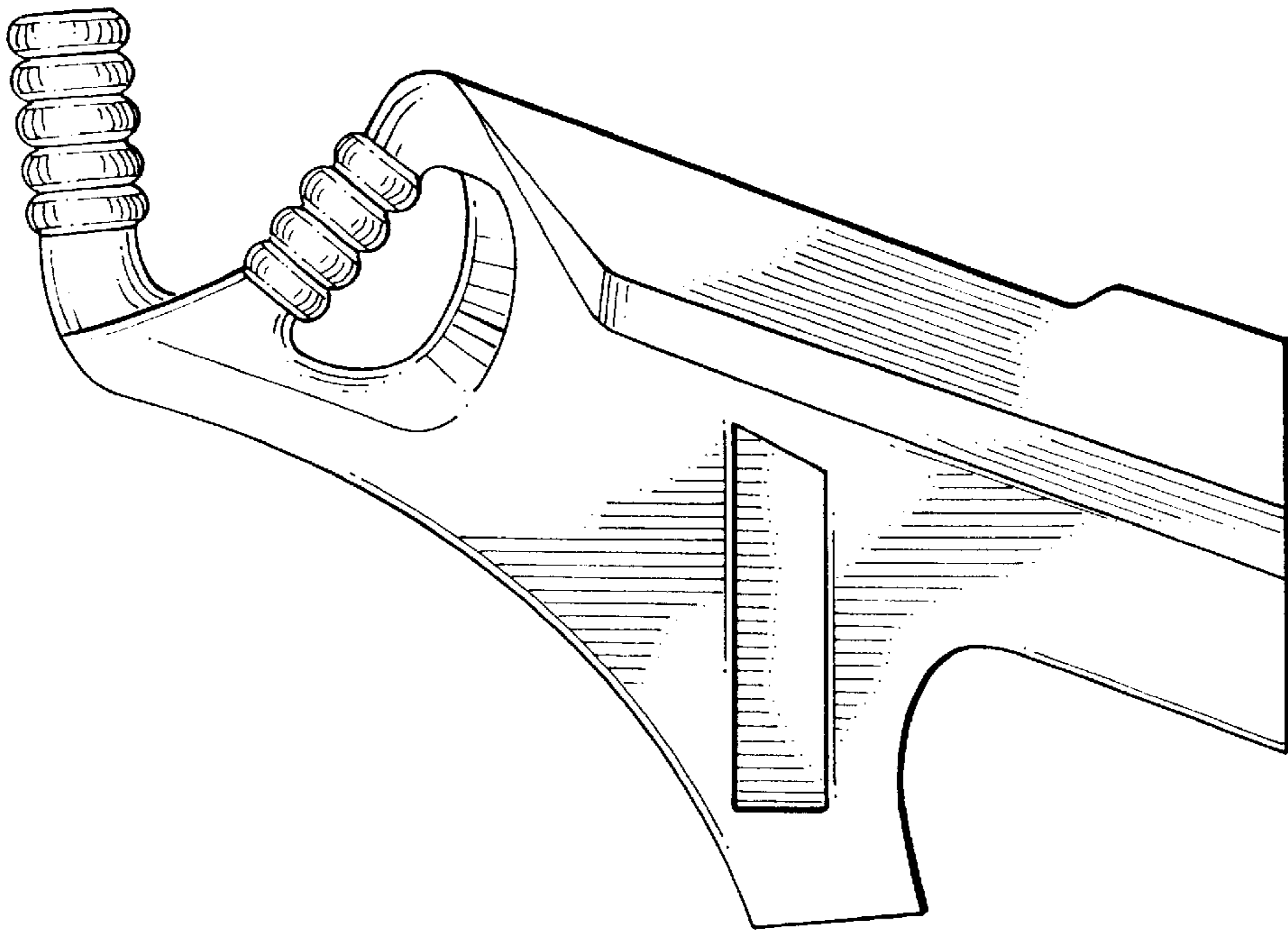


FIG. 7

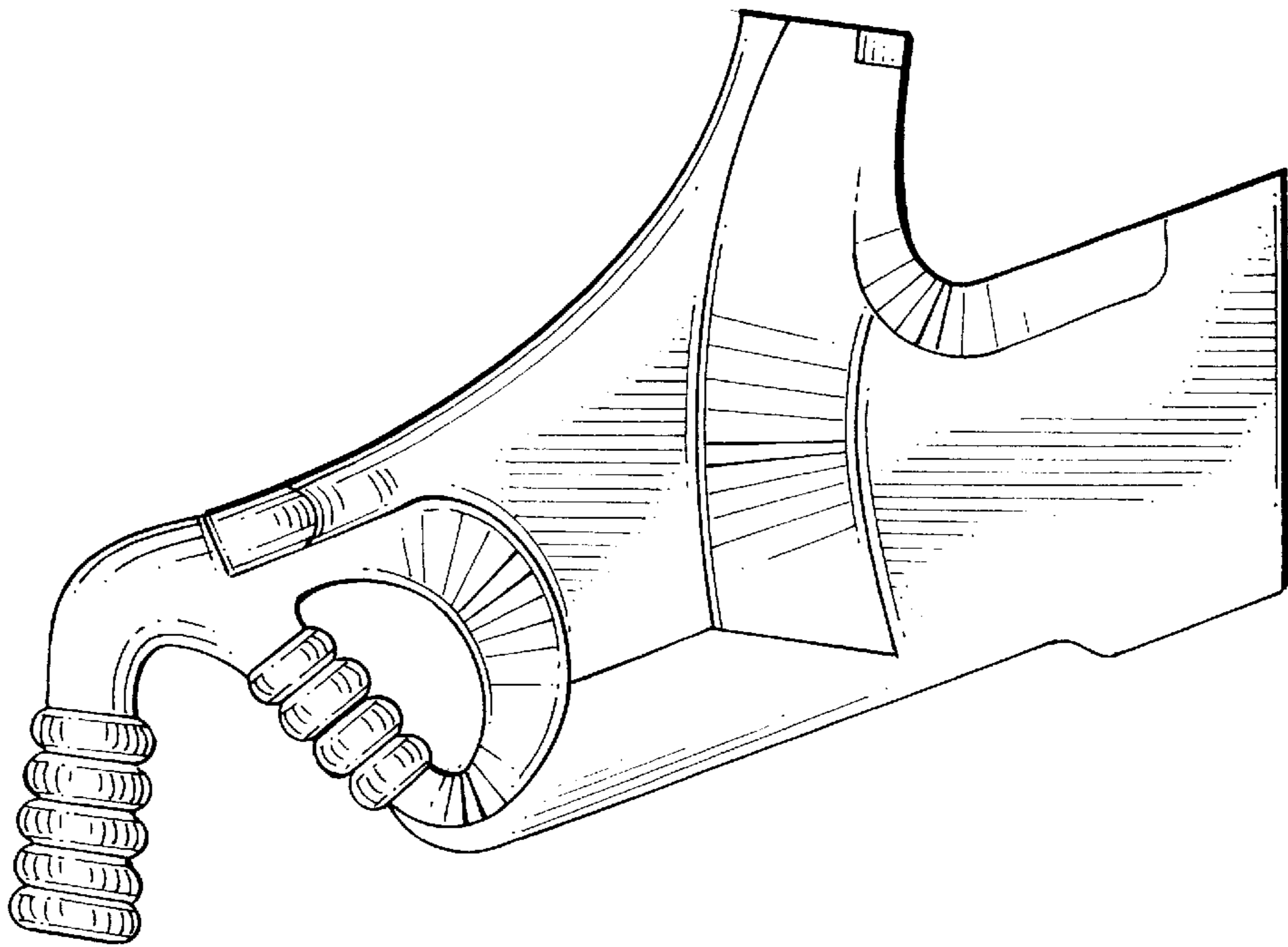


FIG. 6

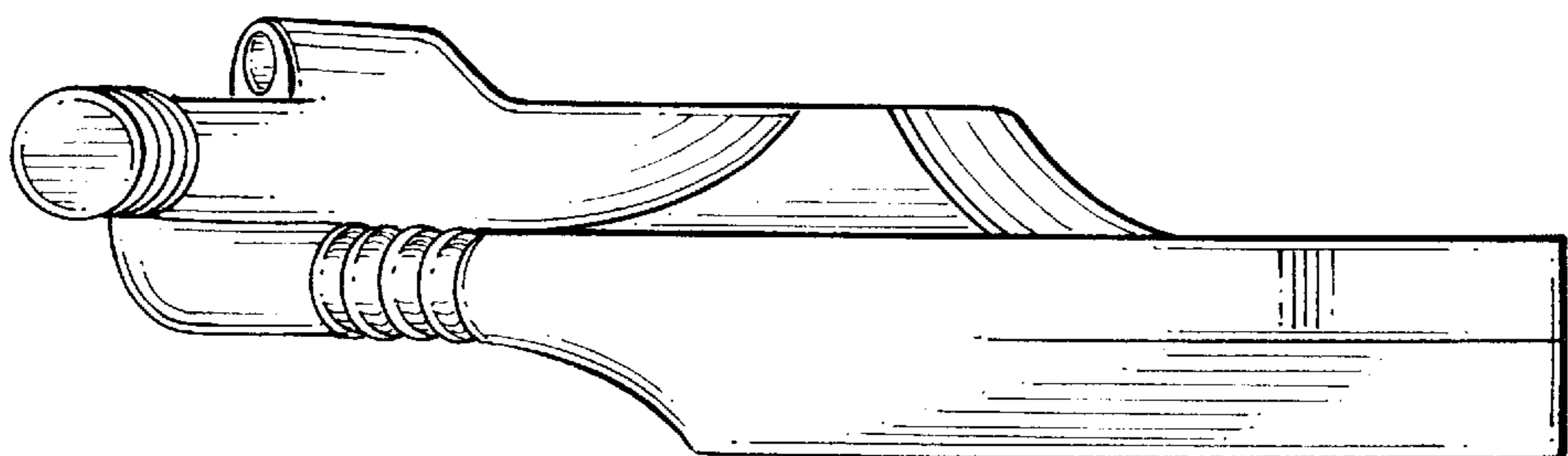


FIG. 3