



US00D401191S

# United States Patent [19] Gagnon

[11] Patent Number: **Des. 401,191**

[45] Date of Patent: **\*\*Nov. 17, 1998**

[54] **ALL TERRAIN WHEELCHAIR**

[76] Inventor: **Brian Gagnon**, 4311 NW. 64th Ave.,  
Coral Springs, Fla. 33067

[\*\*] Term: **14 Years**

[21] Appl. No.: **82,067**

[22] Filed: **Jan. 14, 1998**

[51] **LOC (6) Cl.** ..... **12-12**

[52] **U.S. Cl.** ..... **D12/131**

[58] **Field of Search** ..... D12/128, 131;  
280/246, 250.1, 304.1; 180/6.5, 65.1, 65.6,  
21, 907, 908; 297/DIG. 4

[56] **References Cited**

**U.S. PATENT DOCUMENTS**

D. 380,991	7/1997	Deming	.....	D12/131
5,020,815	6/1991	Harris et al.	.....	280/246
5,242,138	9/1993	Kornberg	.....	248/118
5,427,398	6/1995	Weybrecht	.....	280/304.1

*Primary Examiner*—Kay H. Chin  
*Attorney, Agent, or Firm*—Robert M. Downey, P.A.

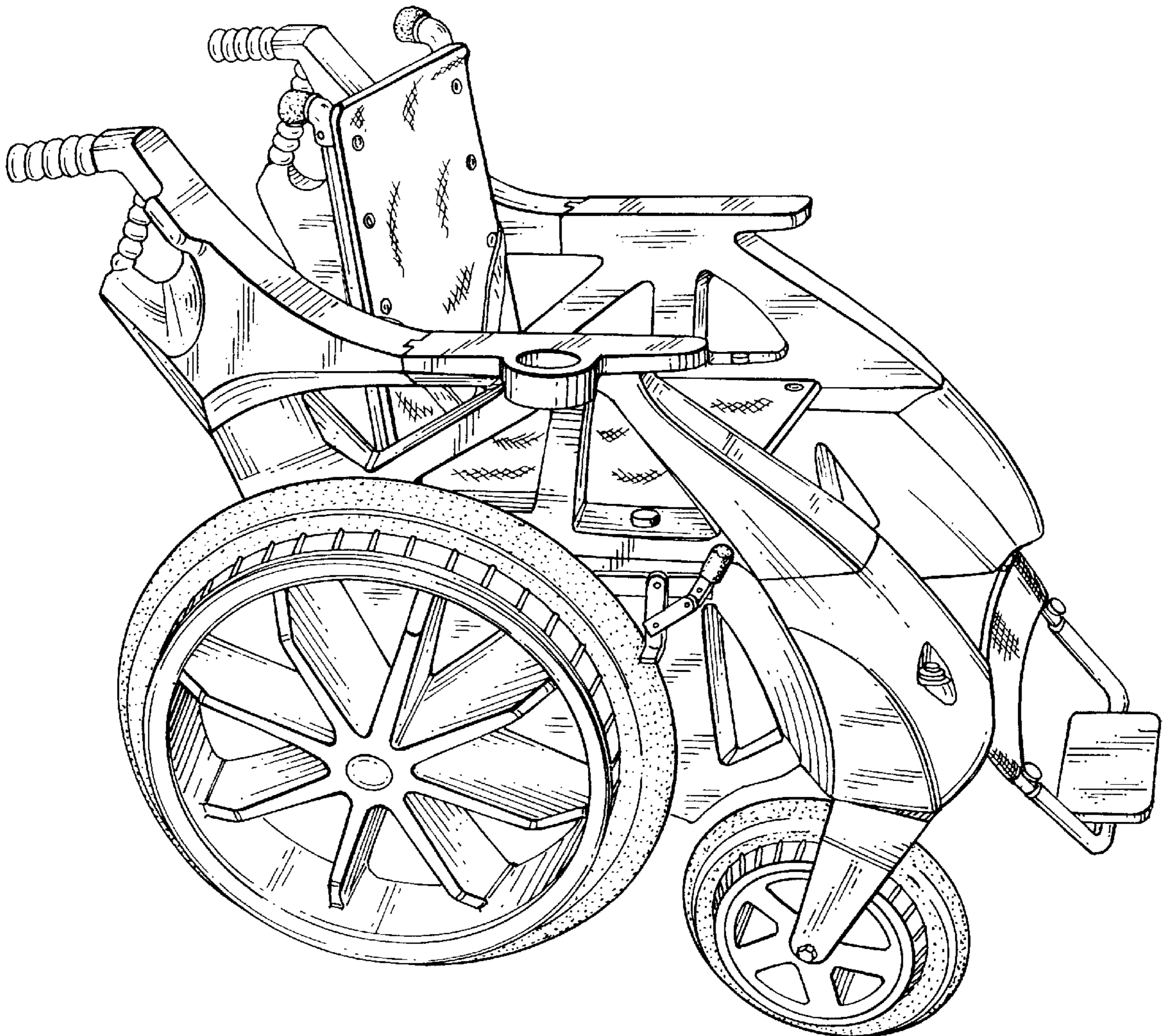
[57] **CLAIM**

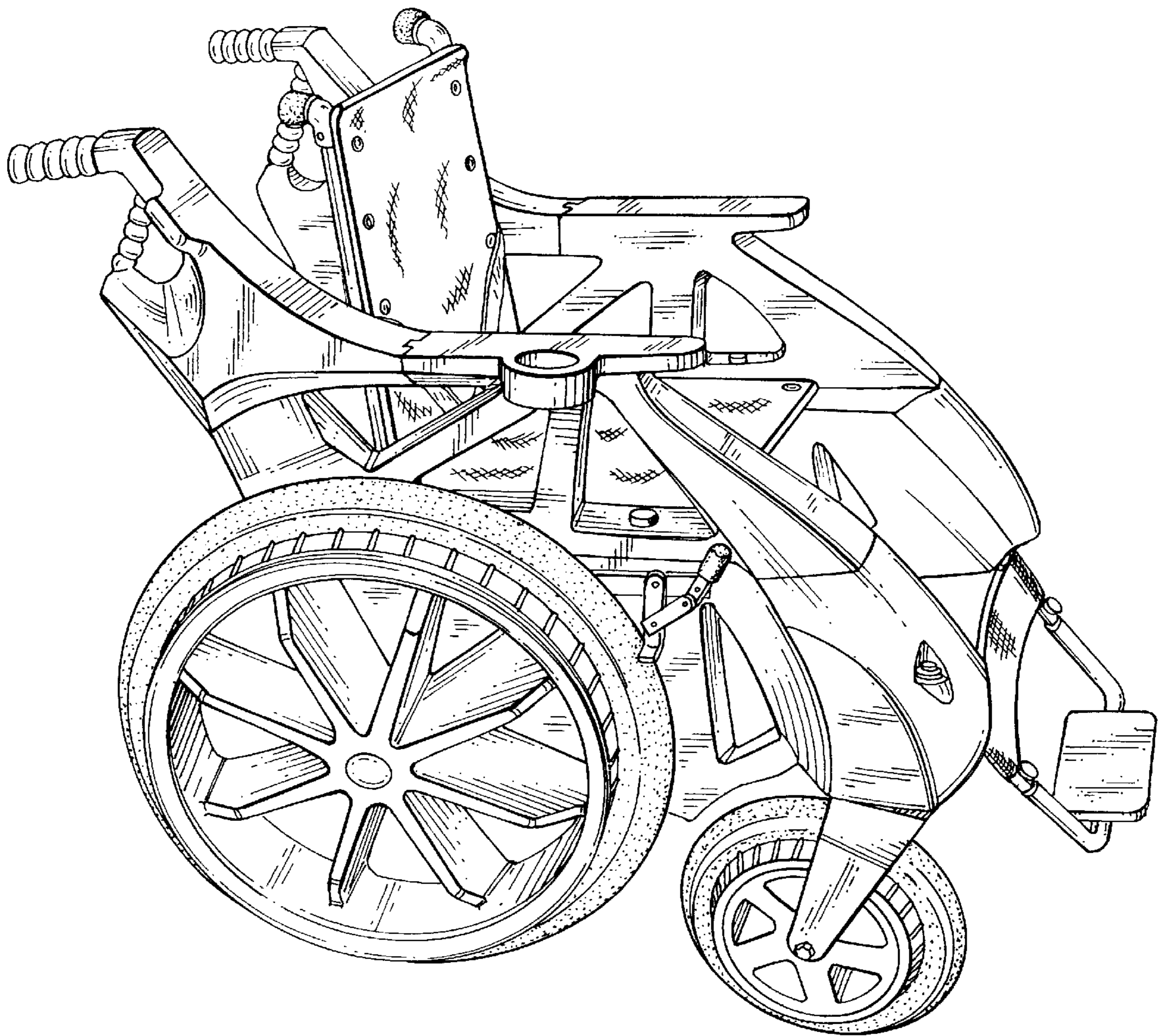
The ornamental design for an all terrain wheelchair, as shown and described.

**DESCRIPTION**

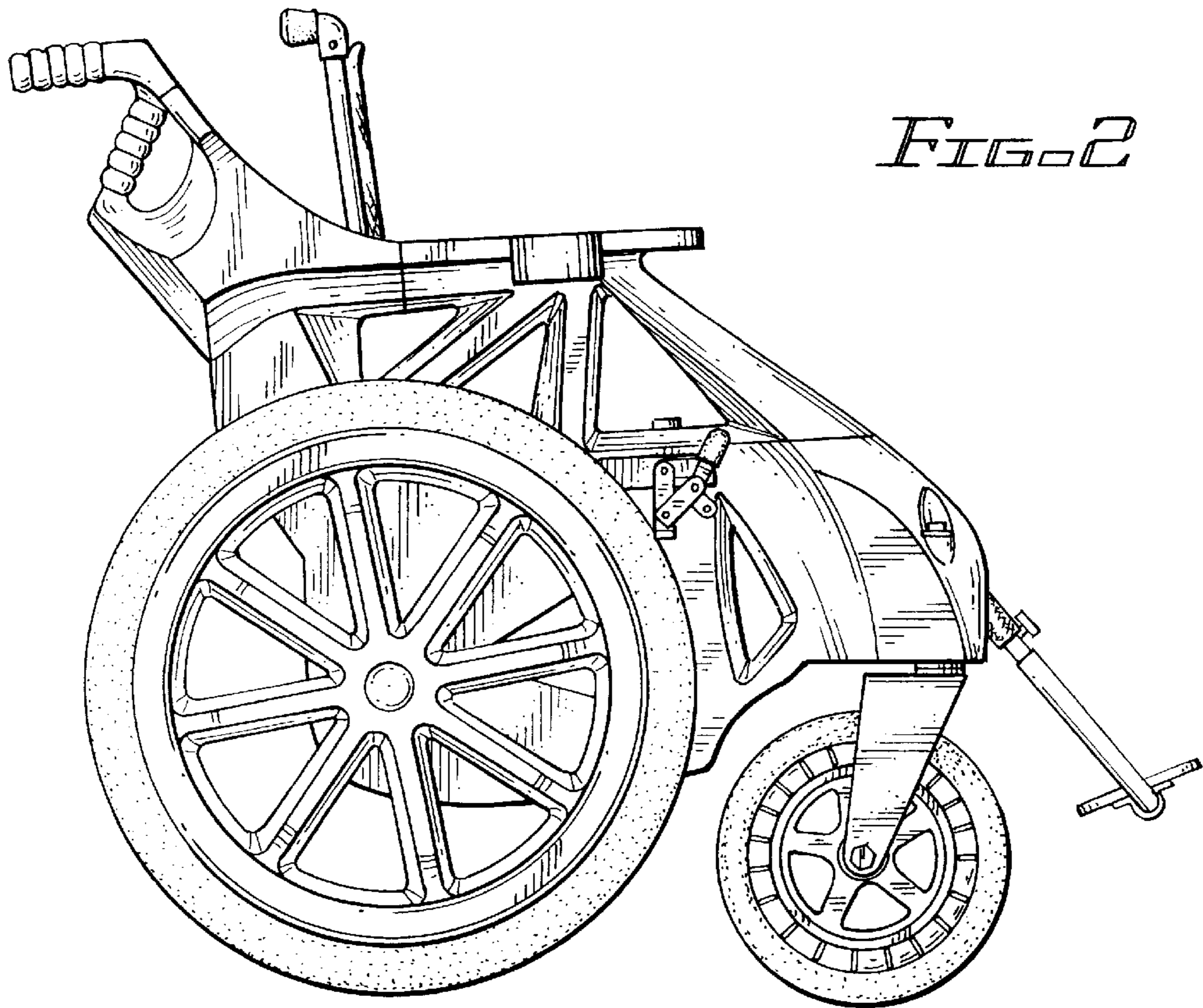
FIG. 1 is a front, top perspective view of the all terrain wheelchair showing my new design; FIG. 2 is a right side elevational view thereof; FIG. 3 is a left side elevational view thereof; FIG. 4 is a front elevational view thereof; FIG. 5 is a rear elevational view thereof; FIG. 6 is a top plan view thereof; FIG. 7 is a bottom plan view thereof; FIG. 8 is a front elevational view of the all terrain wheelchair shown in a collapsed position for transport; and, FIG. 9 is a rear elevational view of the all terrain wheelchair in the collapsed position.

**1 Claim, 5 Drawing Sheets**

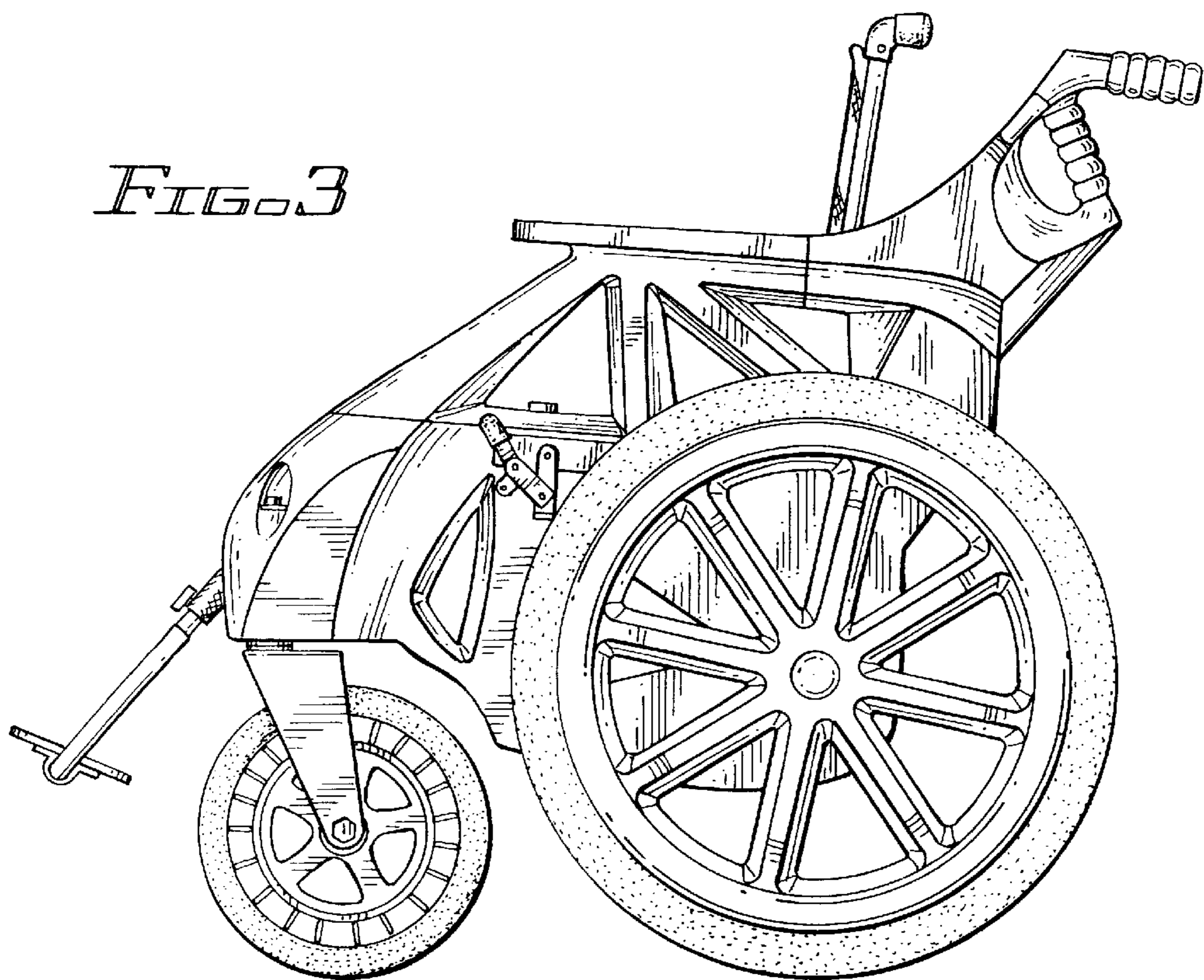




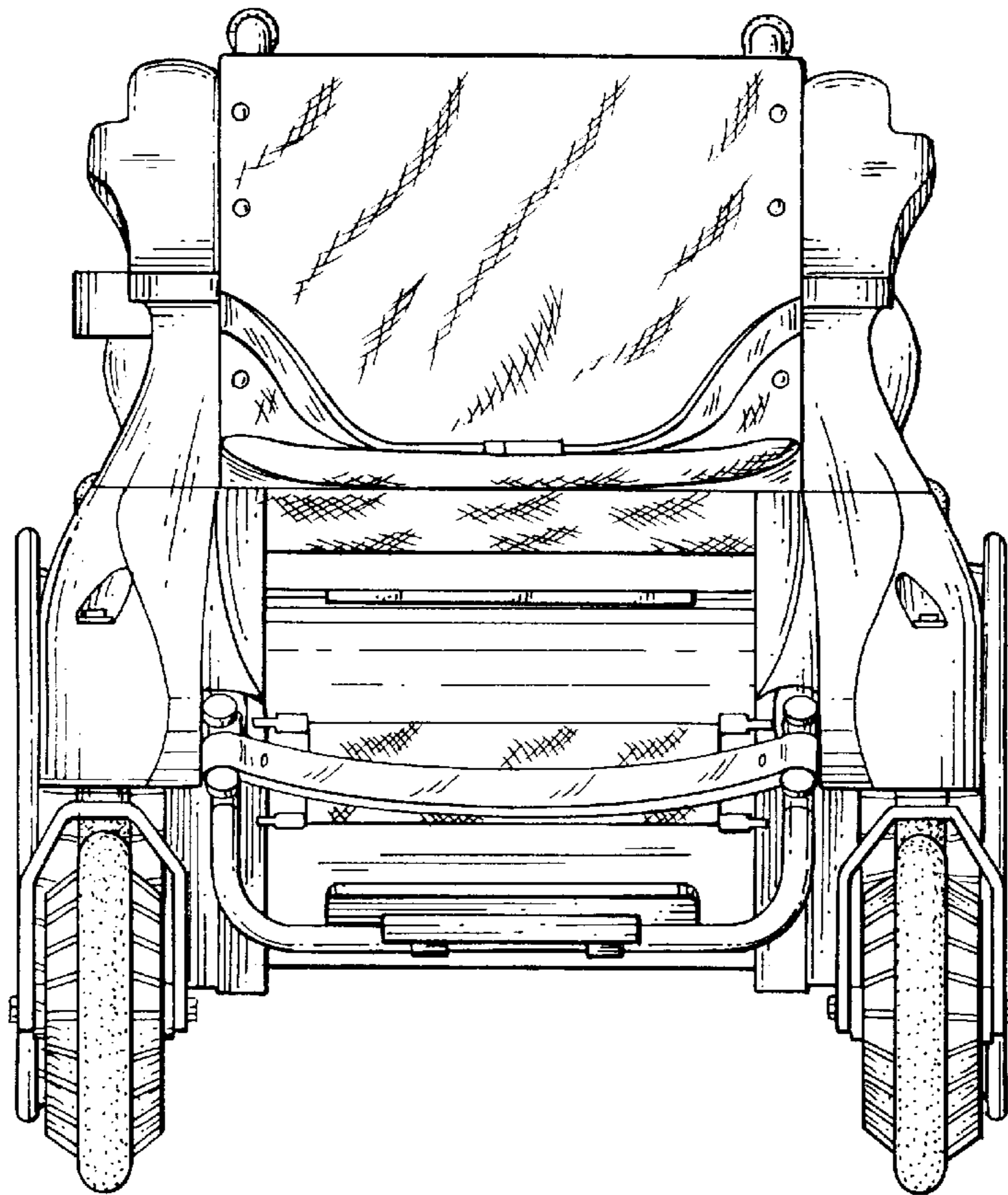
*FIG. 1*



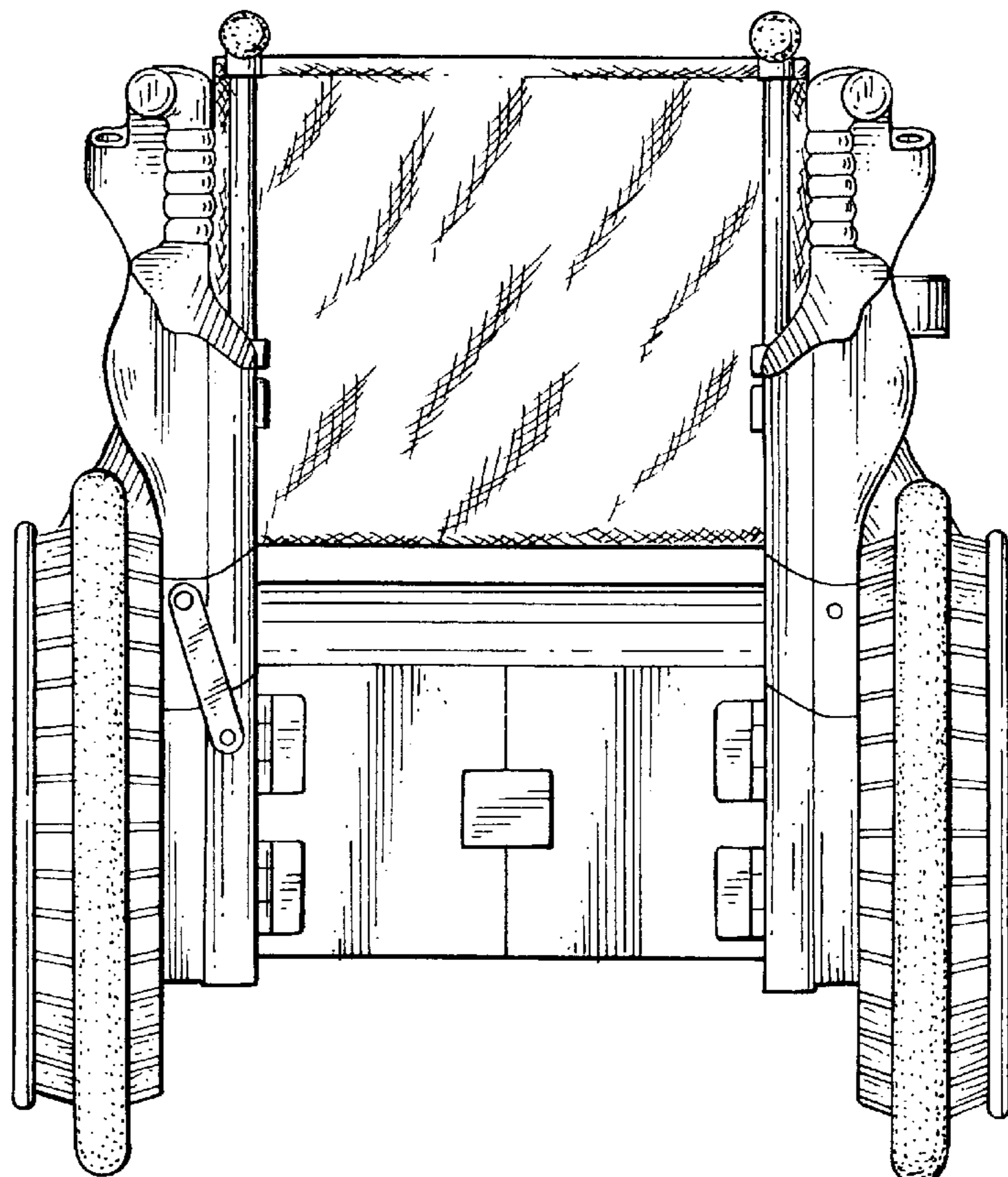
*FIG. 2*



*FIG. 3*



*FIG. 4*



*FIG. 5*

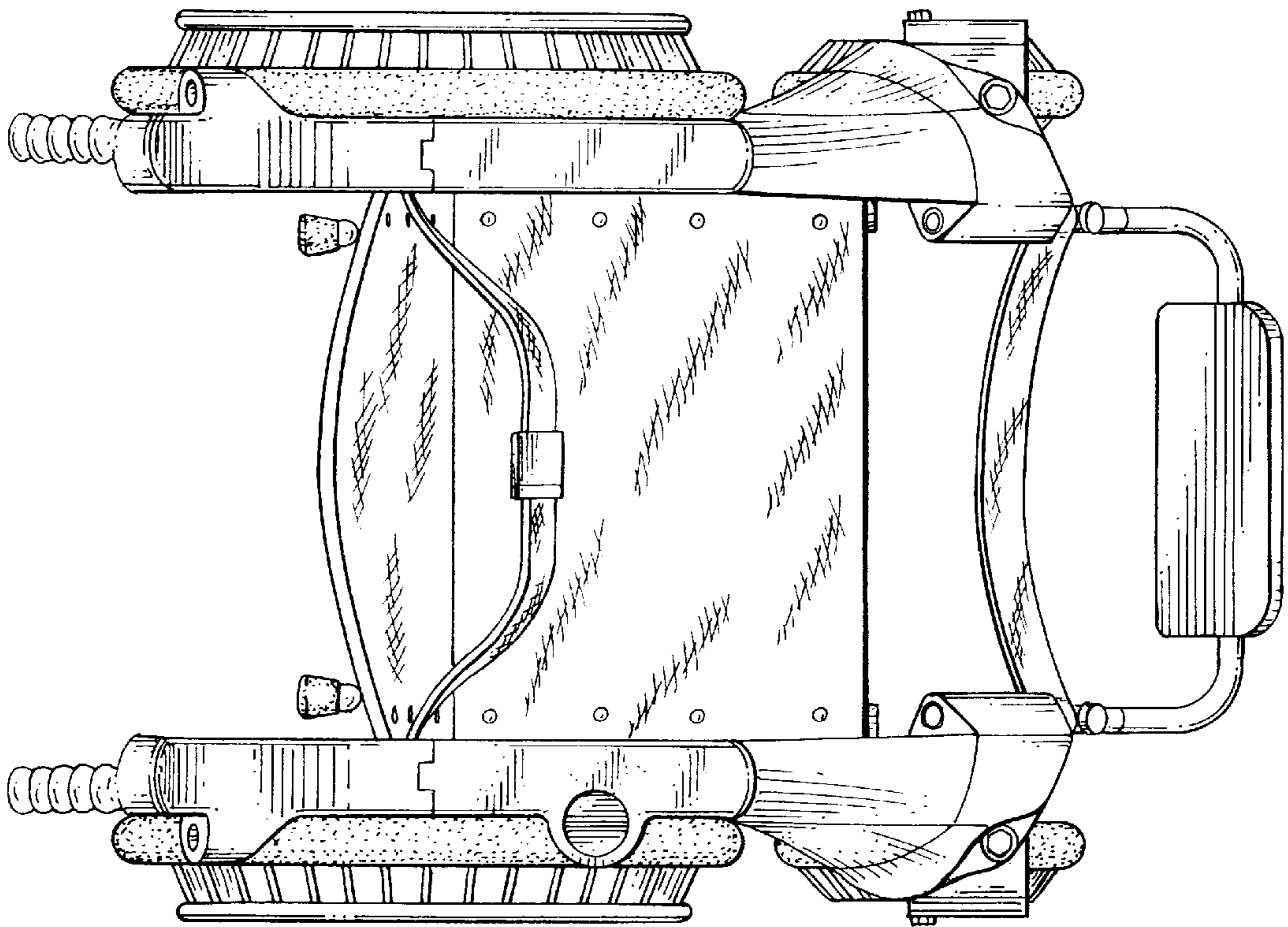


FIG. 6

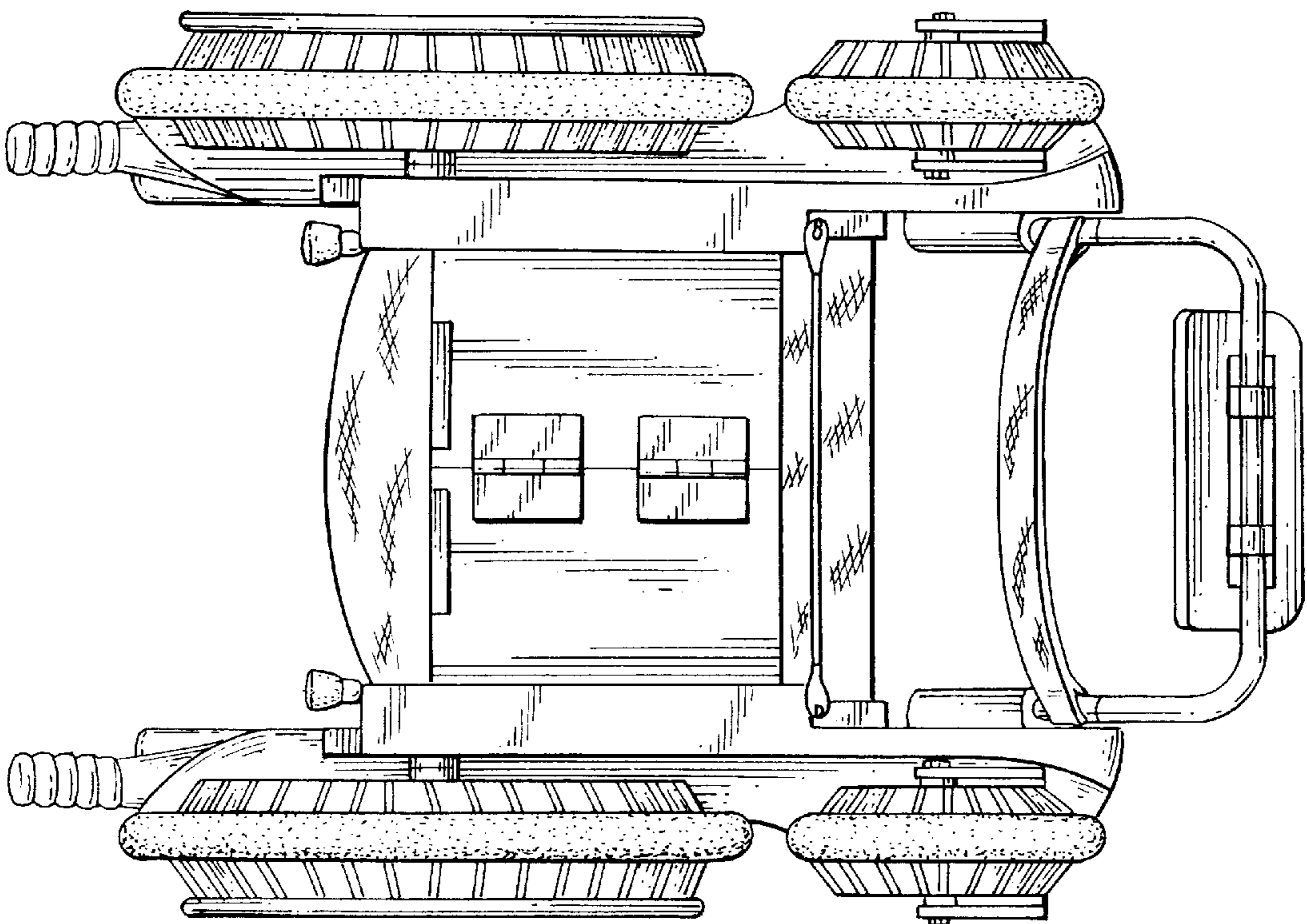
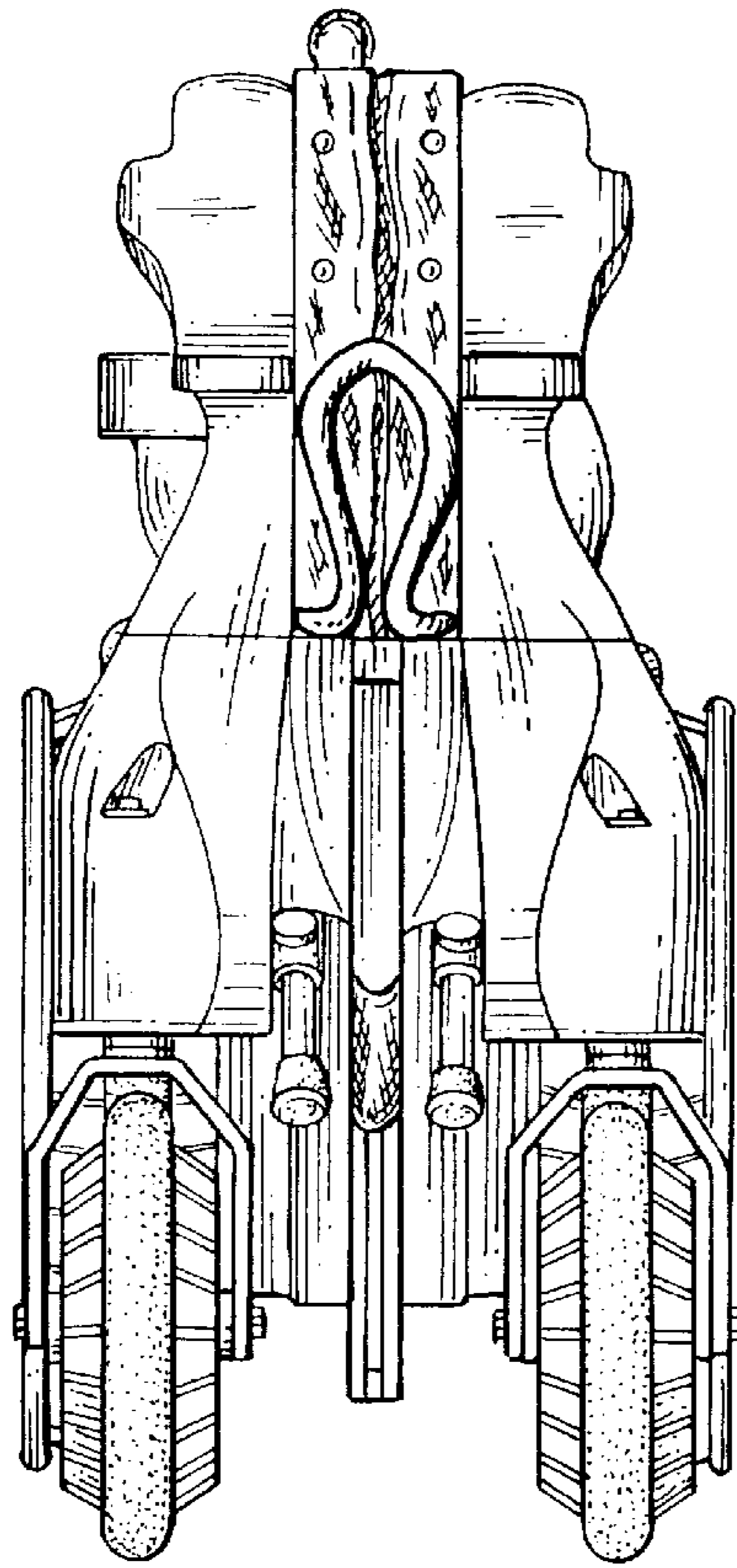
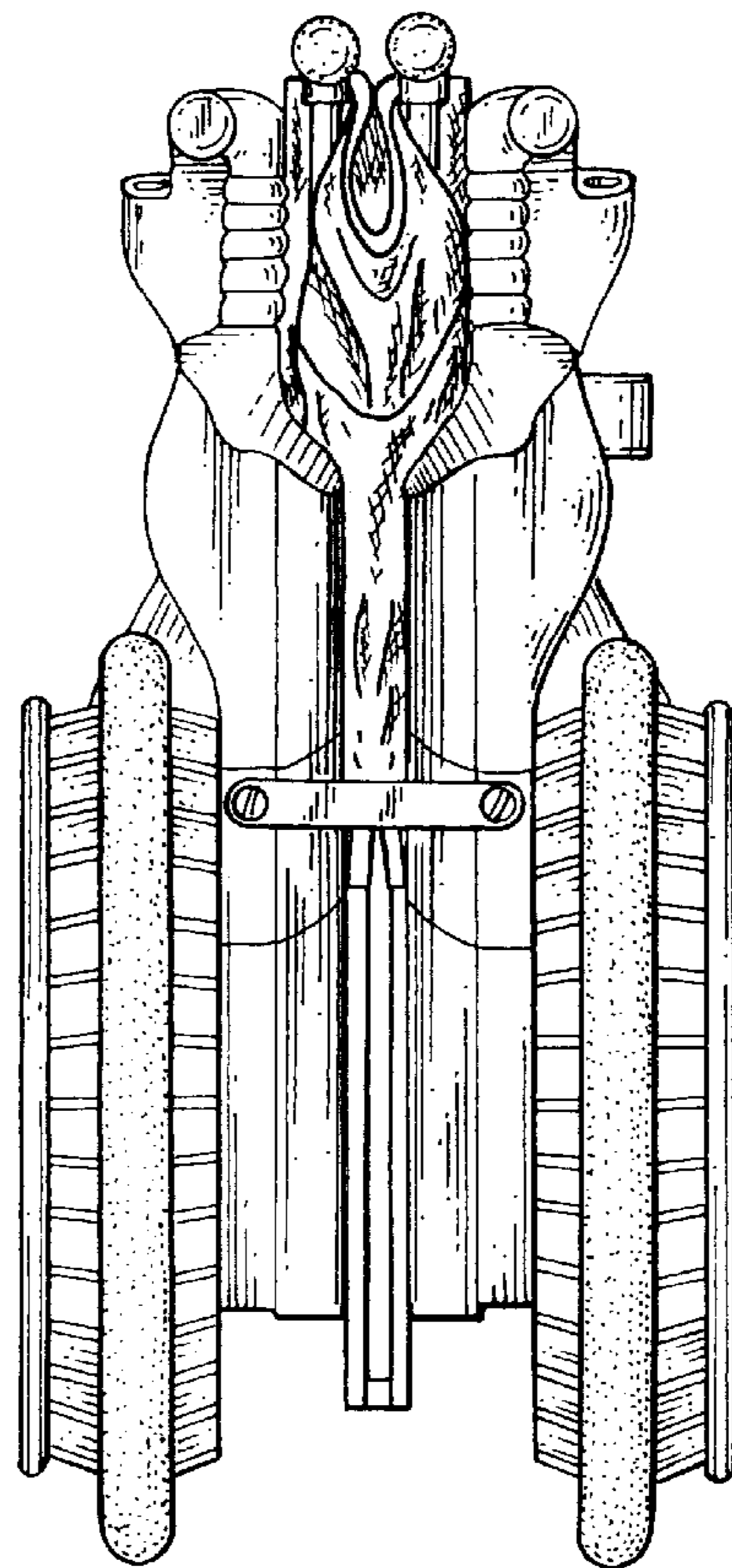


FIG. 7



*FIG. 8*



*FIG. 9*