



US00D401190S

United States Patent [19]
Krause

[11] **Patent Number: Des. 401,190**

[45] **Date of Patent: **Nov. 17, 1998**

[54] **MOTOR SCOOTER**

[76] Inventor: **Andreas Krause**, Schmalbachstrasse 9,
D-38112 Braunschweig, Germany

[**] Term: **14 Years**

[21] Appl. No.: **69,740**

[22] Filed: **Mar. 31, 1997**

[30] **Foreign Application Priority Data**

Sep. 30, 1996 [XH] Hague Agreement DM/037 686

[51] **LOC (6) Cl.** **01-00**

[52] **U.S. Cl.** **D12/128; D12/131**

[58] **Field of Search** D12/128, 131,
D12/129; 180/65.1, 907, 908, 6.5, 208;
280/250.1, 304.1; 297/DIG. 4

[56] **References Cited**

U.S. PATENT DOCUMENTS

D. 322,050 12/1991 Kataoka et al. D12/131

D. 325,892 5/1992 Nesterick et al. D12/131
D. 380,180 6/1997 Lo D12/129
4,729,447 3/1988 Morse 180/65.1

Primary Examiner—Kay H. Chin
Attorney, Agent, or Firm—Foley & Lardner

[57] **CLAIM**

The ornamental design for a motor scooter, as shown and described.

DESCRIPTION

FIG. 1 is a front elevational view of a motor scooter showing my new design;
FIG. 2 is a rear elevational view thereof;
FIG. 3 is a bottom plan view thereof;
FIG. 4 is a top plan view thereof;
FIG. 5 is a left side elevational view thereof;
FIG. 6 is a right side elevational view thereof; and,
FIG. 7 is a perspective view thereof.

1 Claim, 6 Drawing Sheets

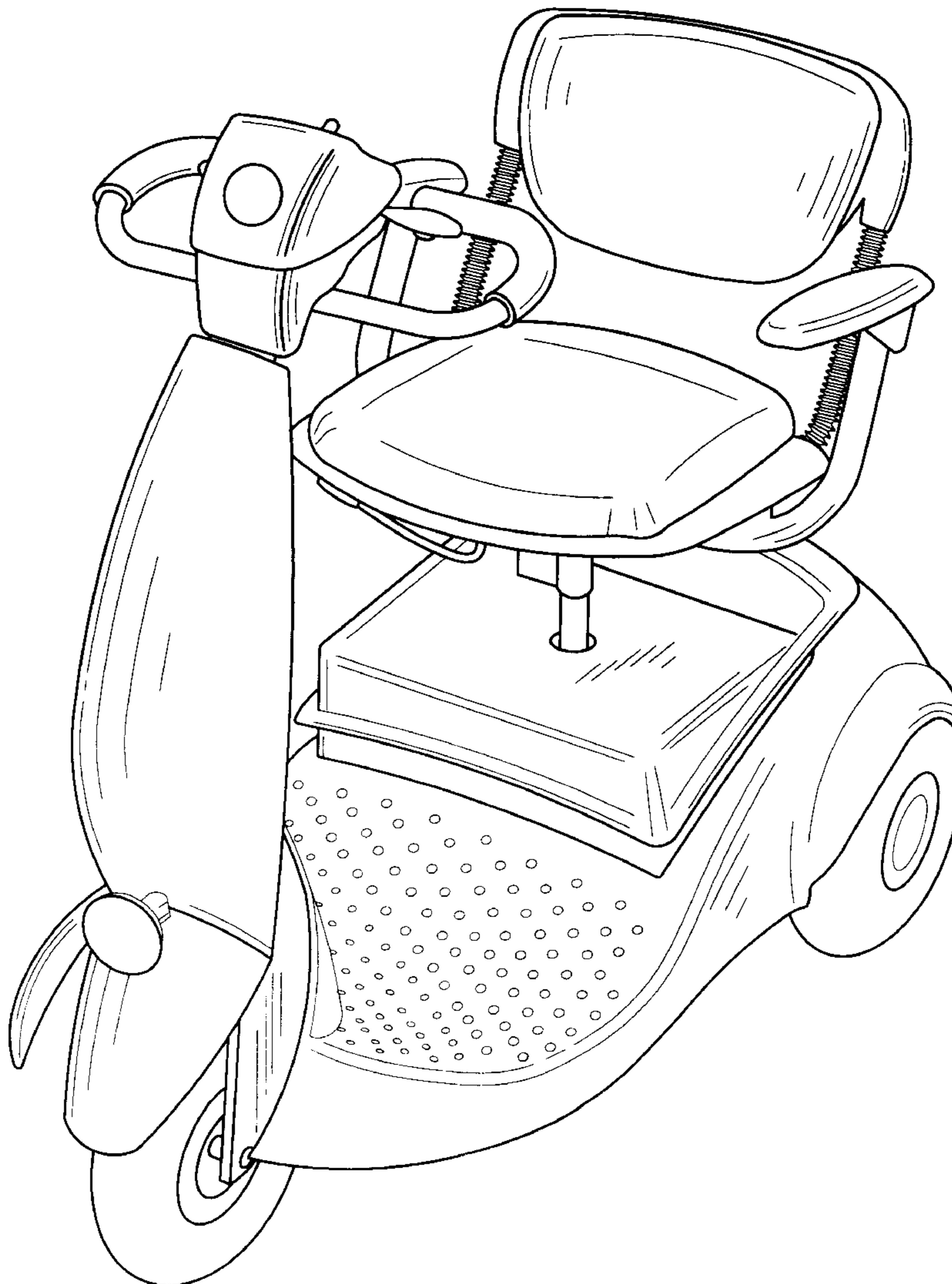


FIG. 1

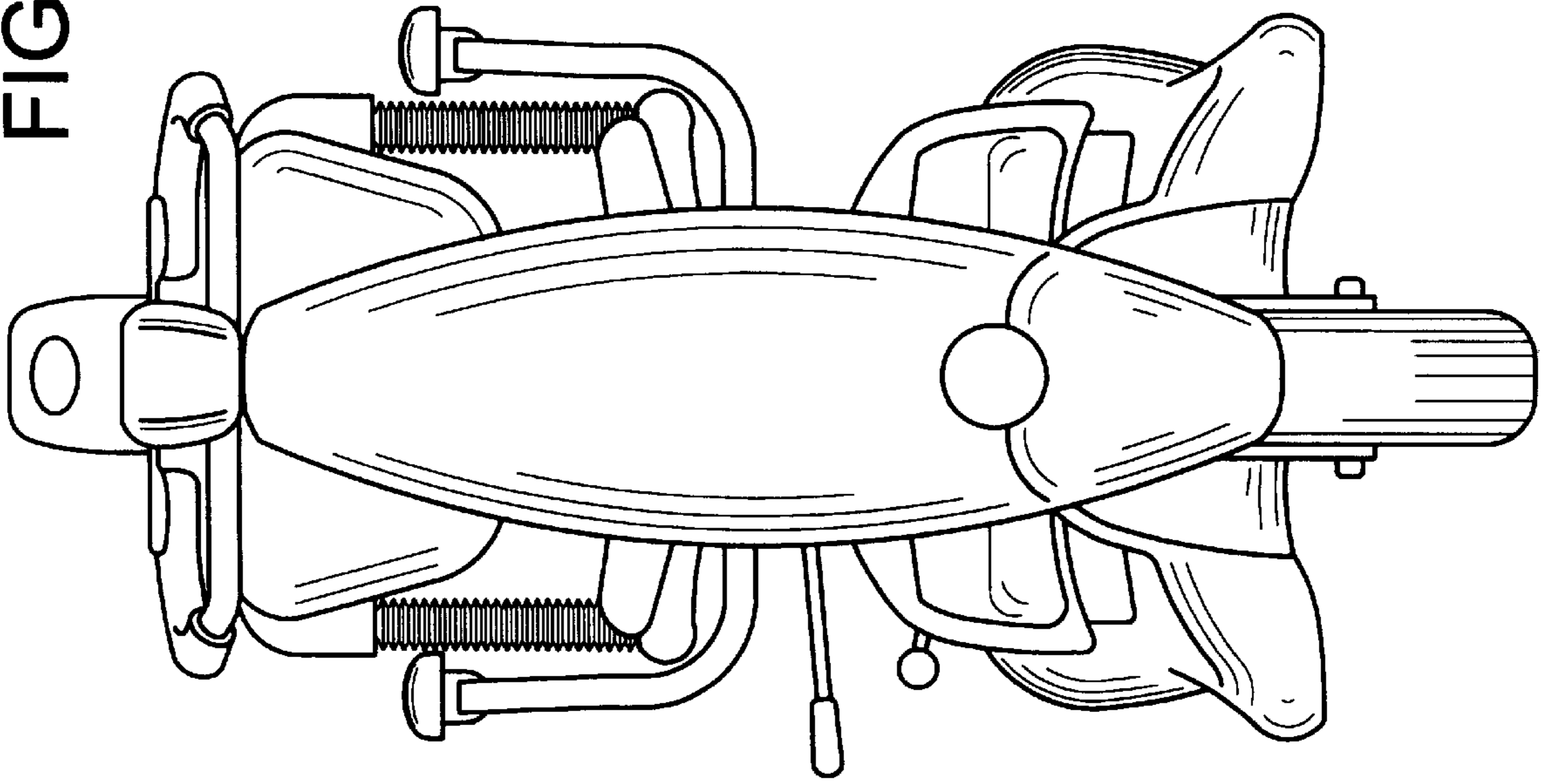


FIG. 2

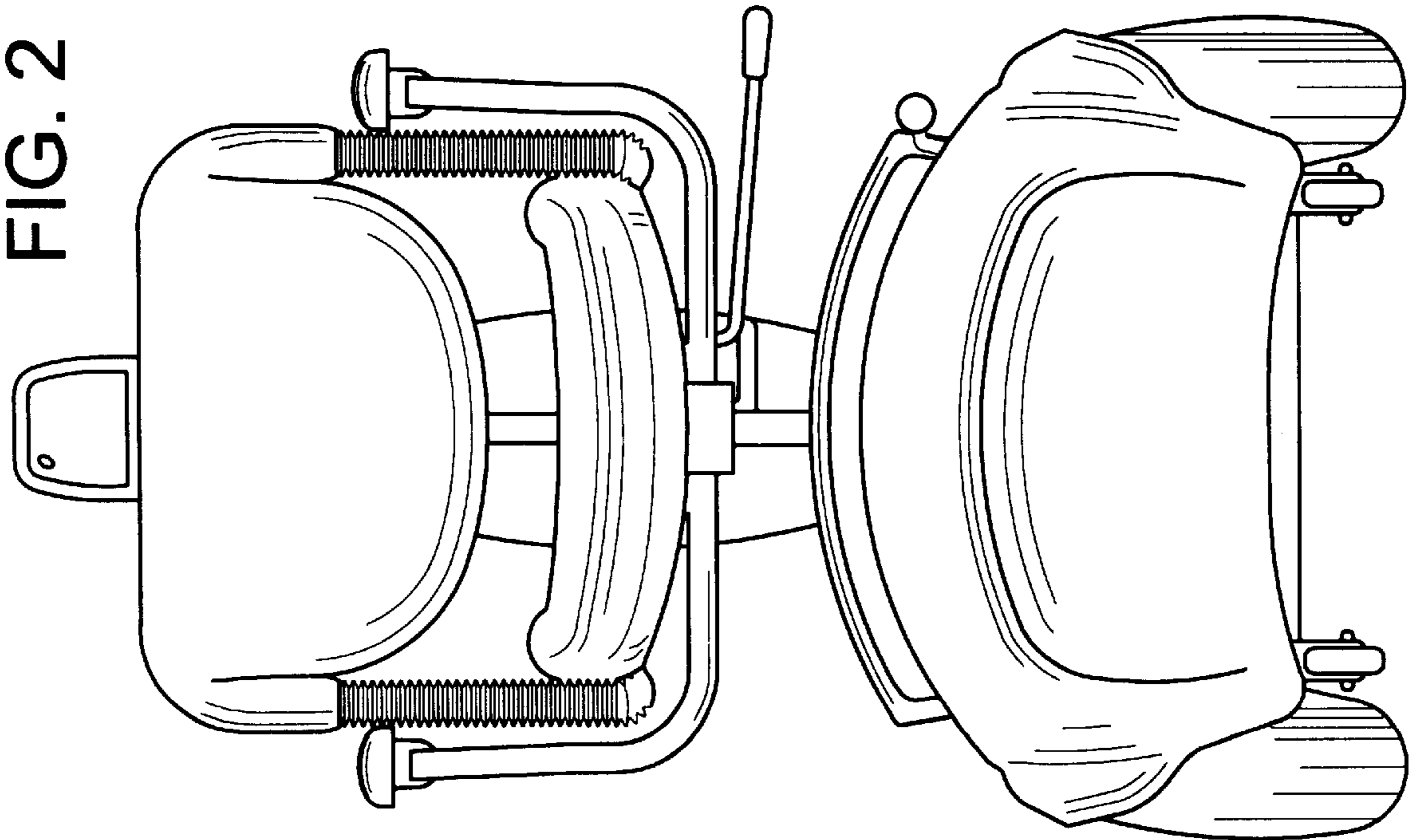


FIG. 3

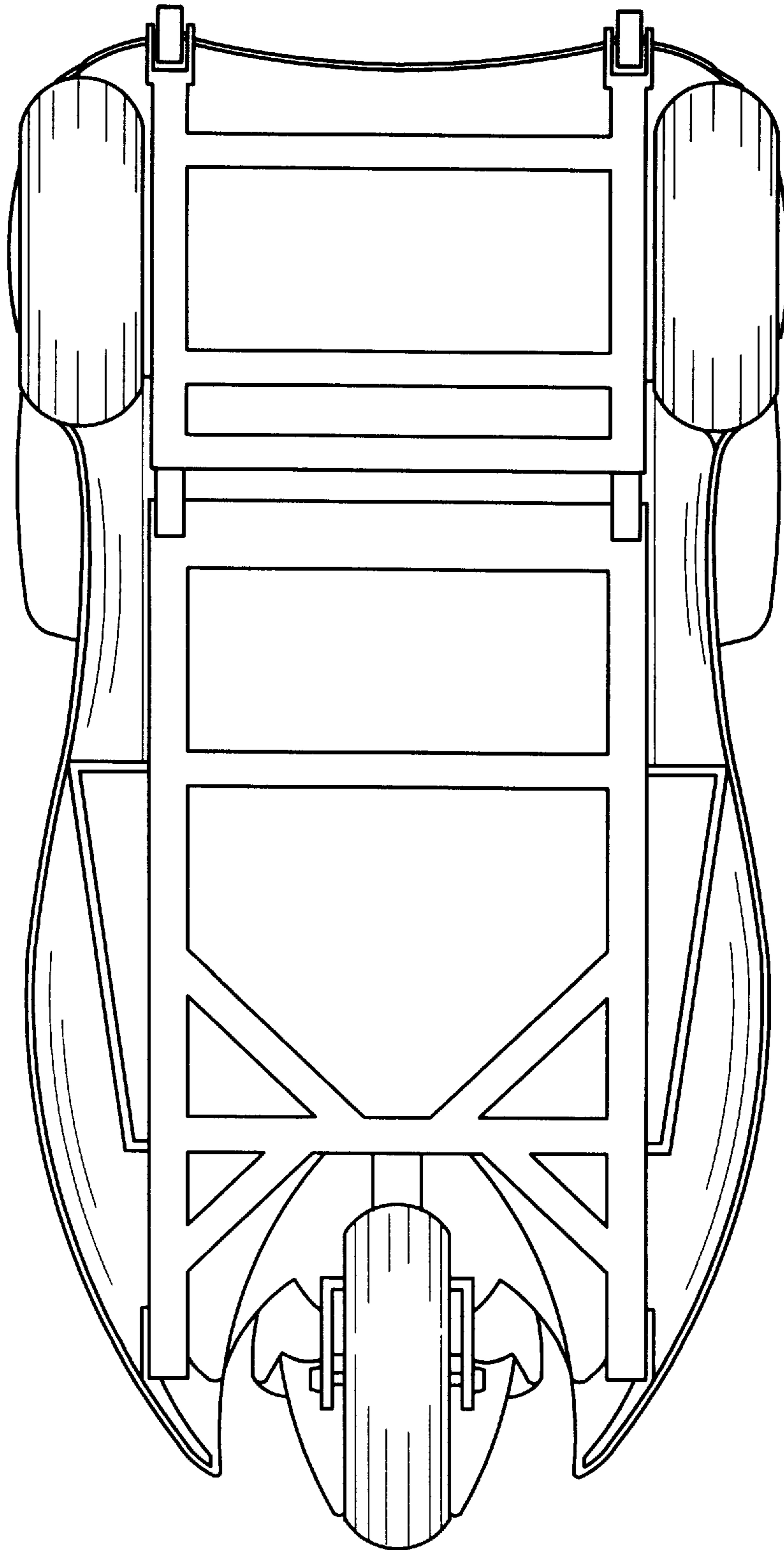


FIG. 4

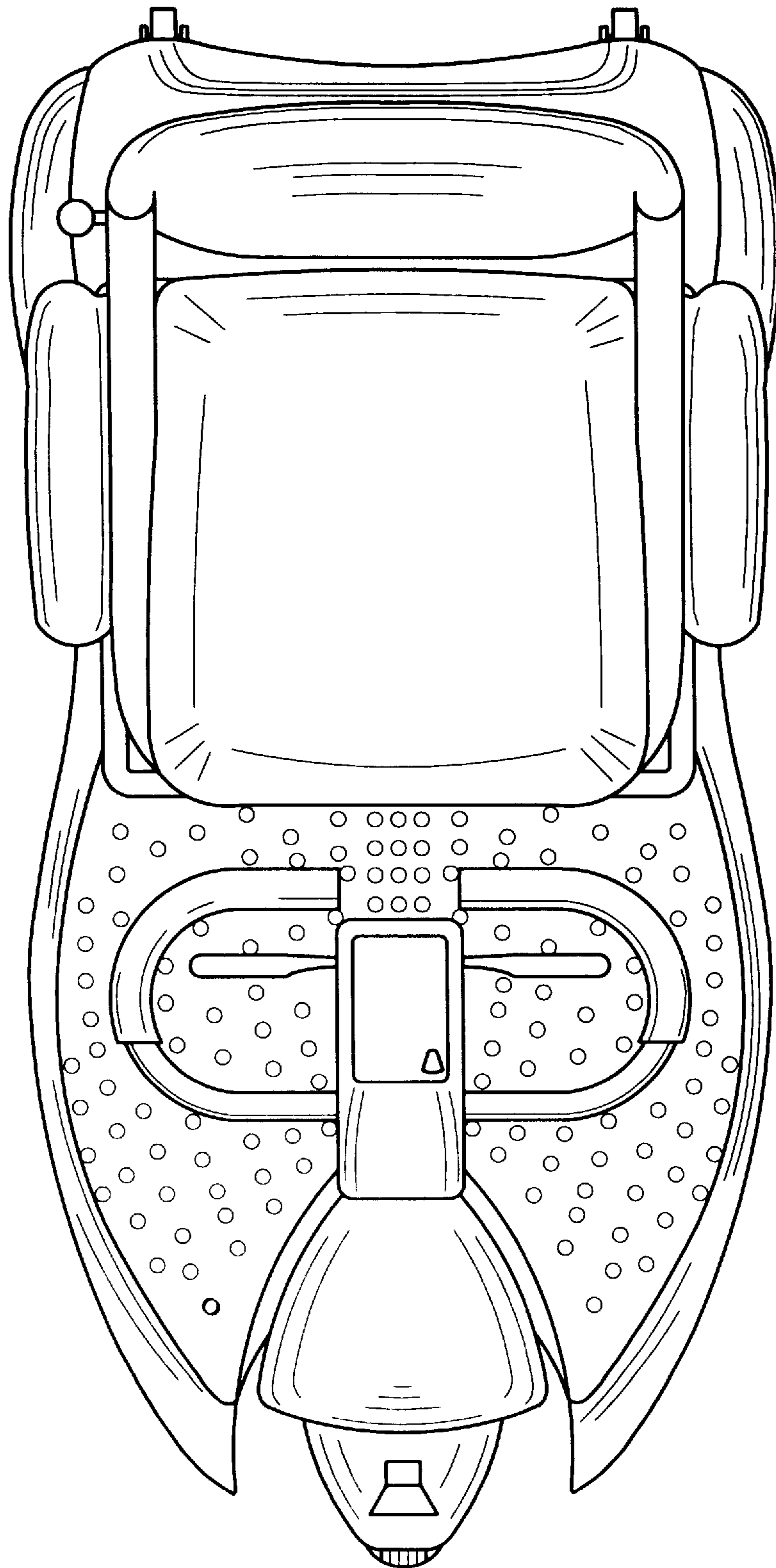


FIG. 5

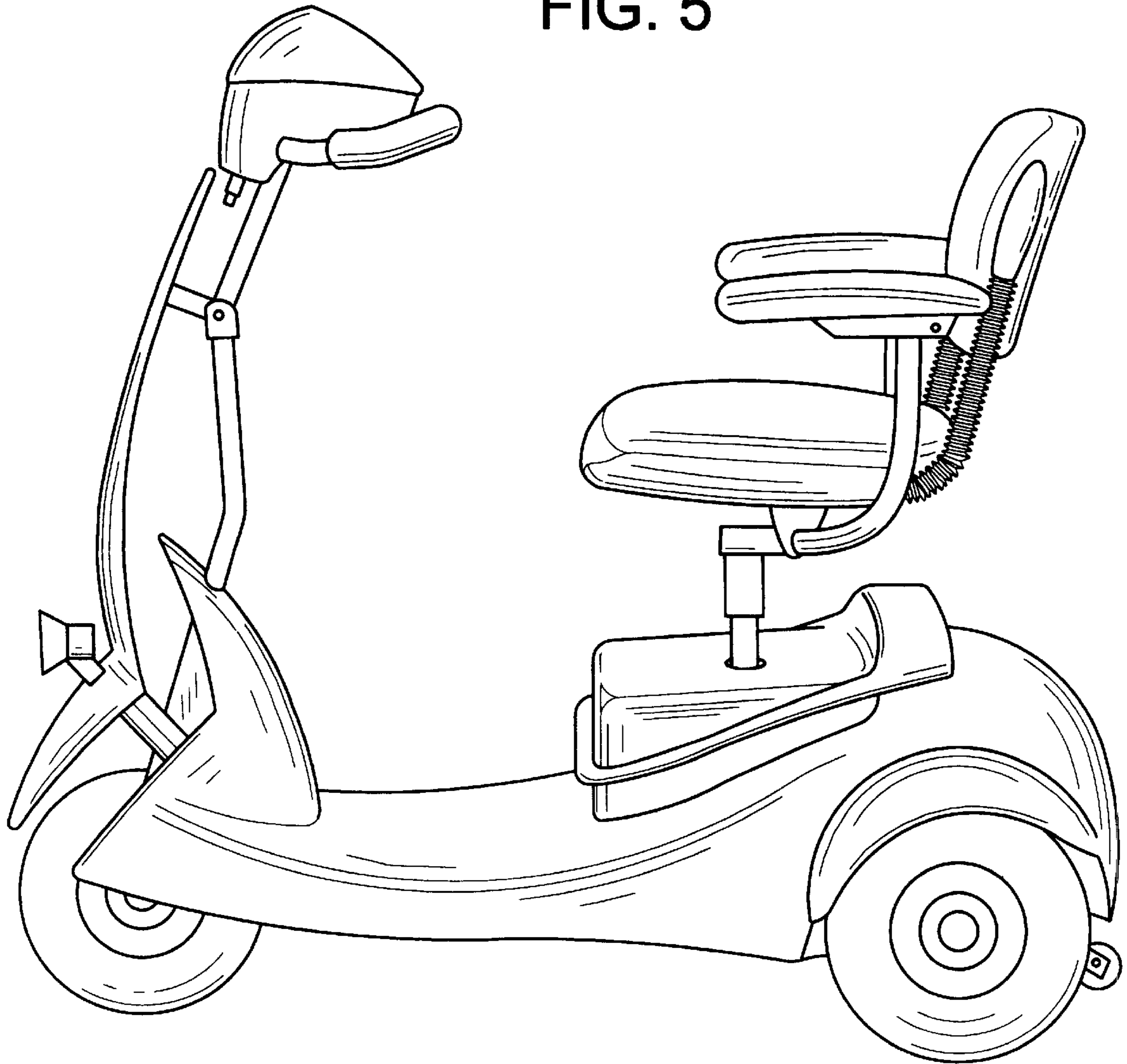


FIG. 6

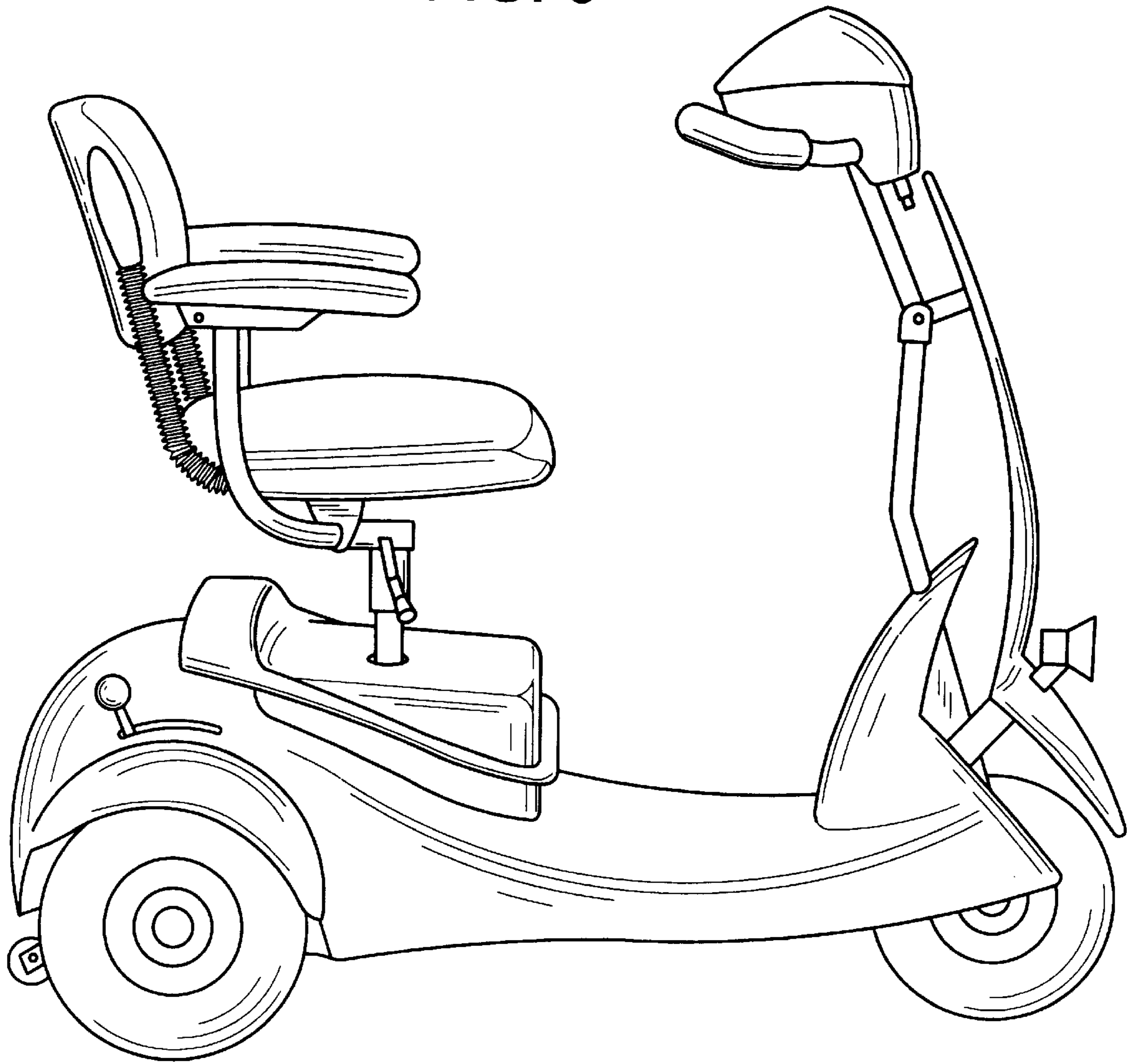


FIG. 7

