



US00D401186S

United States Patent [19]

Abbott et al.

[11] **Patent Number: Des. 401,186**

[45] **Date of Patent: **Nov. 17, 1998**

[54] **AUTOMOBILE BODY**

[75] Inventors: **Glenn Abbott**, West Bloomfield;
Brandon L. Faurote, Rochester Hills;
John P. Sgalia, Farmington Hills, all of Mich.

[73] Assignee: **Chrysler Corporation**, Auburn Hills, Mich.

[**] Term: **14 Years**

[21] Appl. No.: **63,981**

[22] Filed: **Dec. 20, 1996**

[51] **LOC (6) Cl. 12-08**

[52] **U.S. Cl. D12/91**

[58] **Field of Search D12/82-100; 296/185**

[56] **References Cited**

U.S. PATENT DOCUMENTS

D. 172,124	5/1954	Blenkle	D12/99 X
D. 220,837	6/1971	Mattson	D12/98
D. 296,538	7/1988	Kim	D12/91
D. 383,710	9/1997	Guichard et al.	D12/91

OTHER PUBLICATIONS

“Car and Driver”, Hummer, p. 108 (1992).
Automotive Industries, “Mighty Mite”, p. 18, Feb. 1, 1959.
Automotive News, “Datsun patrol”, p. 254, 1963 Almanac Issue.

Motor Trend, Jeep CJ-7, p. 51, Mar., 1976.
Jeep Catalog, Jeep CJ-5, pp. 6,7,9, 1974.

Primary Examiner—Melody M. Brown
Attorney, Agent, or Firm—Mark P. Calcaterra

[57] **CLAIM**

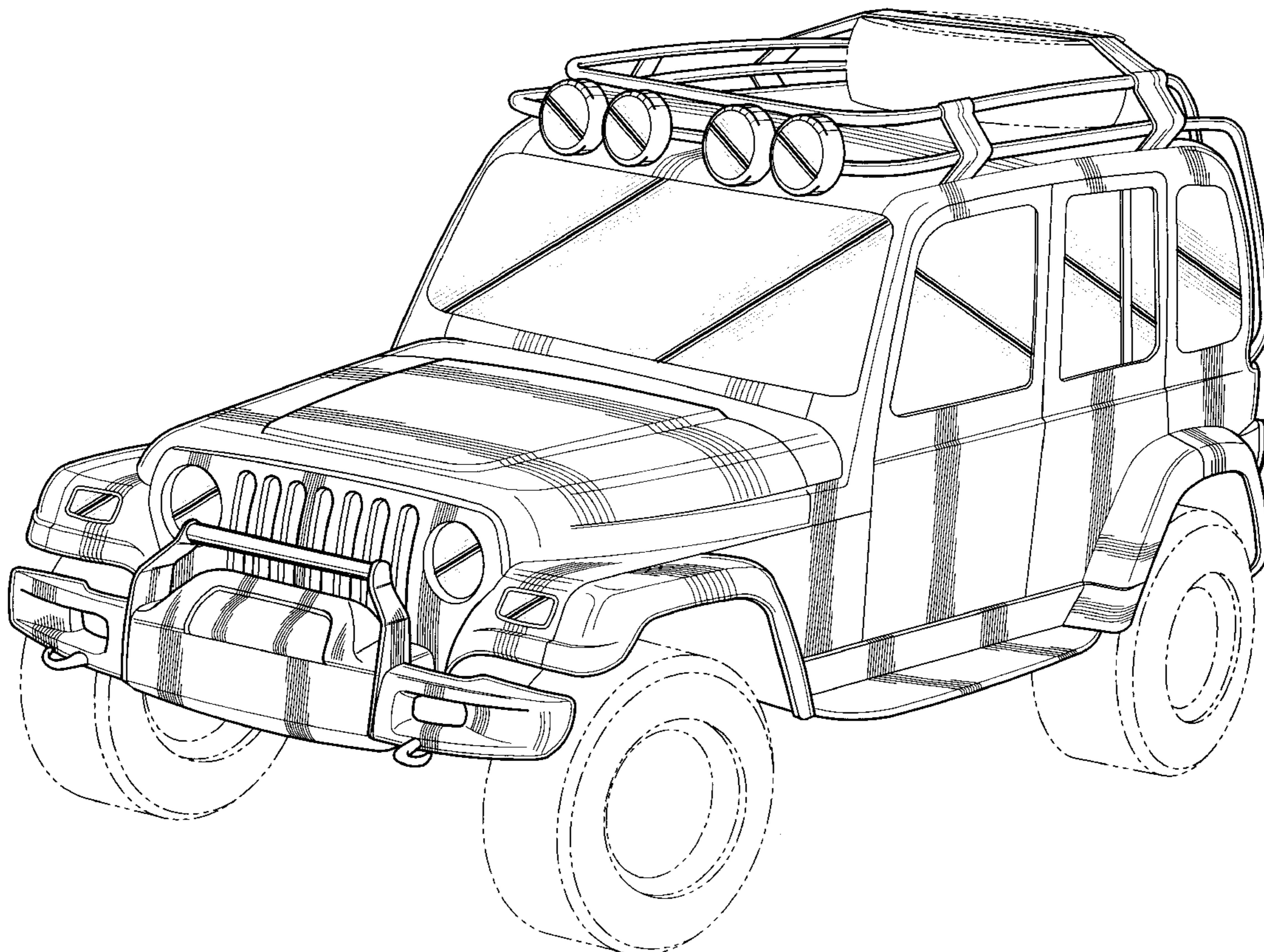
The ornamental design for an automobile body, as shown and described.

DESCRIPTION

FIG. 1 is a left side and front perspective view of an automobile body showing our new design;
FIG. 2 is a left side view of an automobile body of FIG. 1, it being understood that the opposite side to that shown is a substantial mirror image;
FIG. 3 is a front view of an automobile body of FIG. 1;
FIG. 4 is a top view of an automobile body of FIG. 1;
FIG. 5 is a right side and rear perspective view of an automobile body of FIG. 1; and,
FIG. 6 is a front perspective view of a second embodiment of an automobile body showing our new design, it being understood that the second embodiment is identical to the first embodiment except that the roof tubes have been removed.

It being understood that the broken line showing of the wheels and tires throughout the drawings is for illustrative purposes only and forms no part of the subject invention.

1 Claim, 6 Drawing Sheets



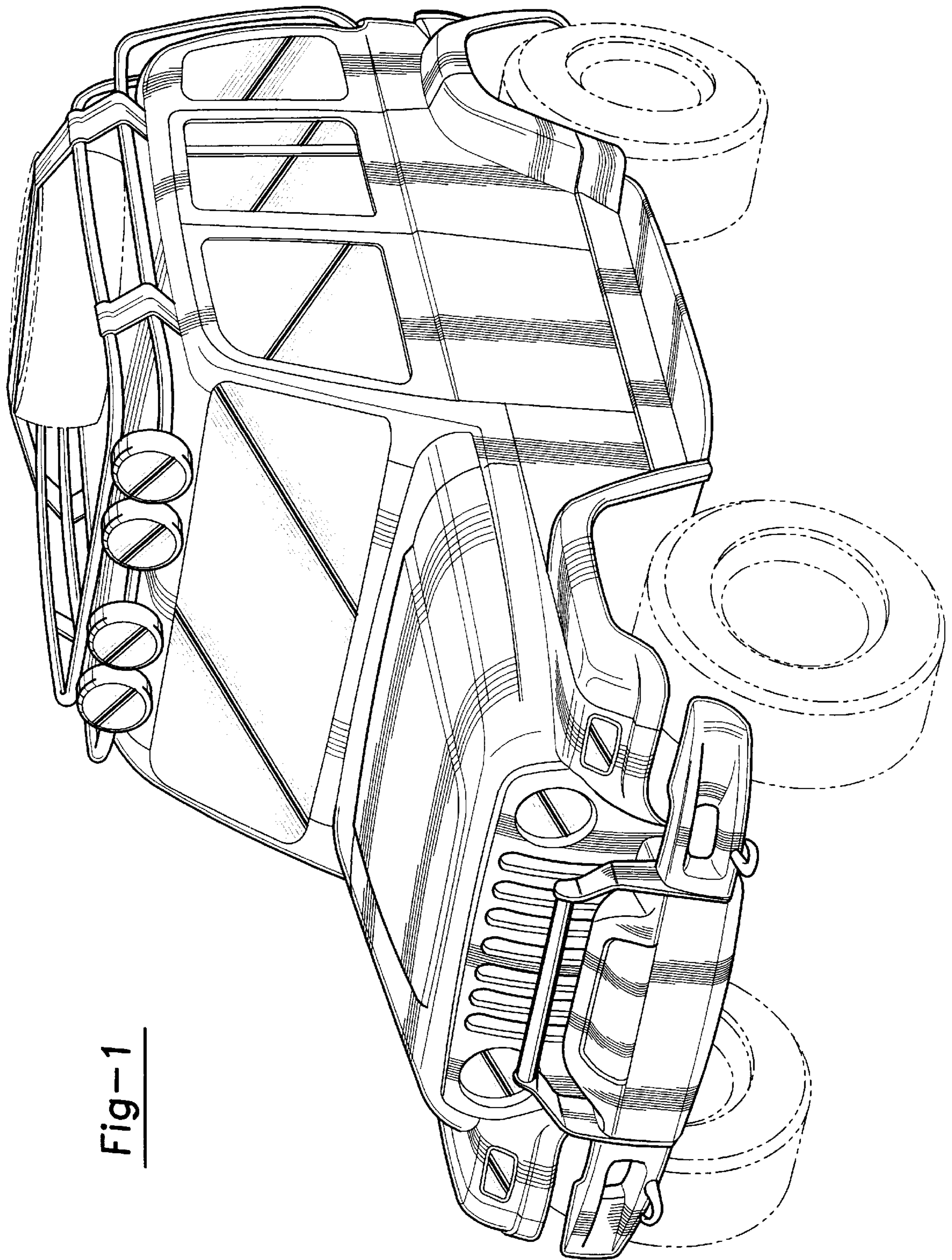


Fig-1

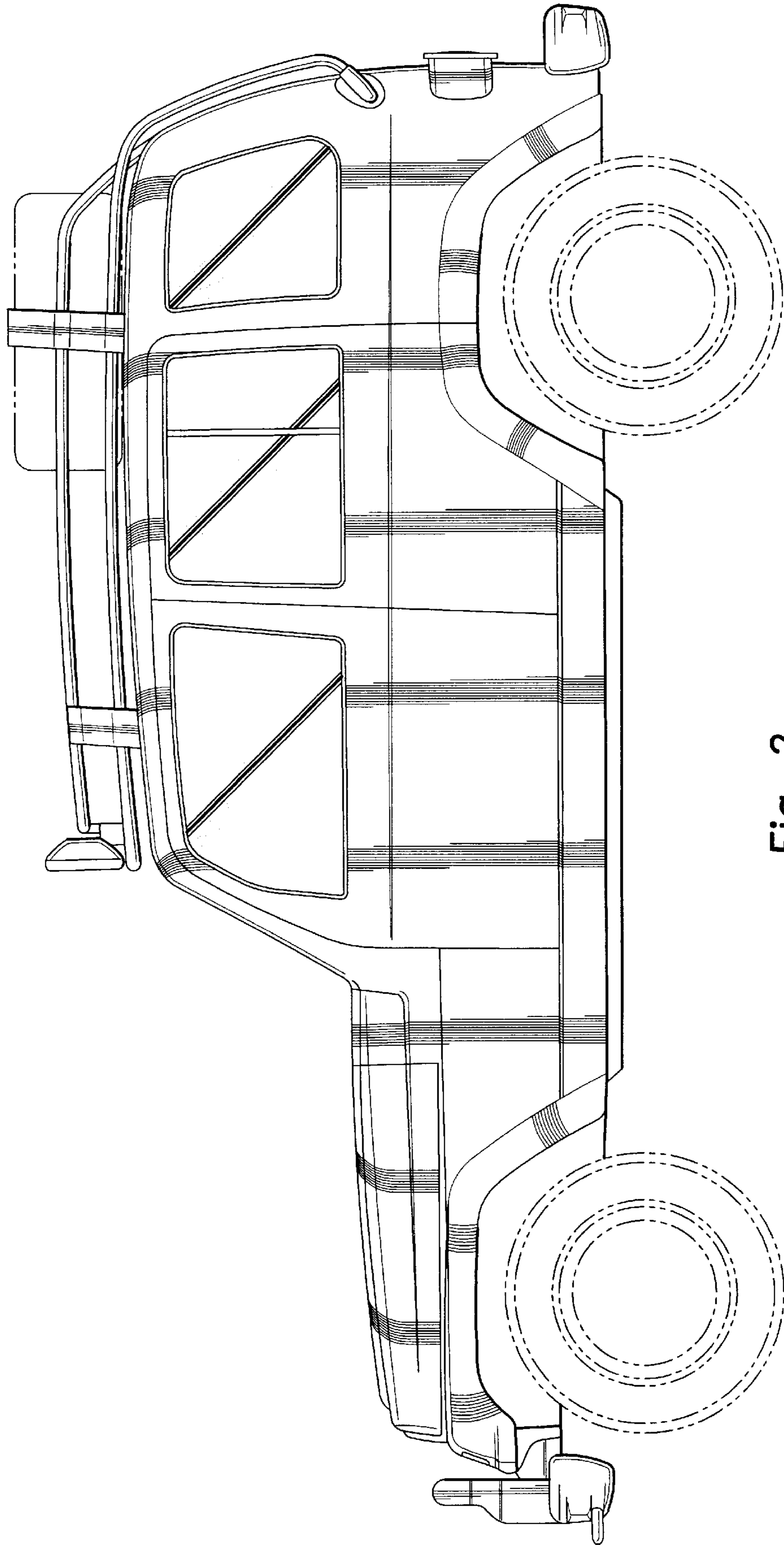
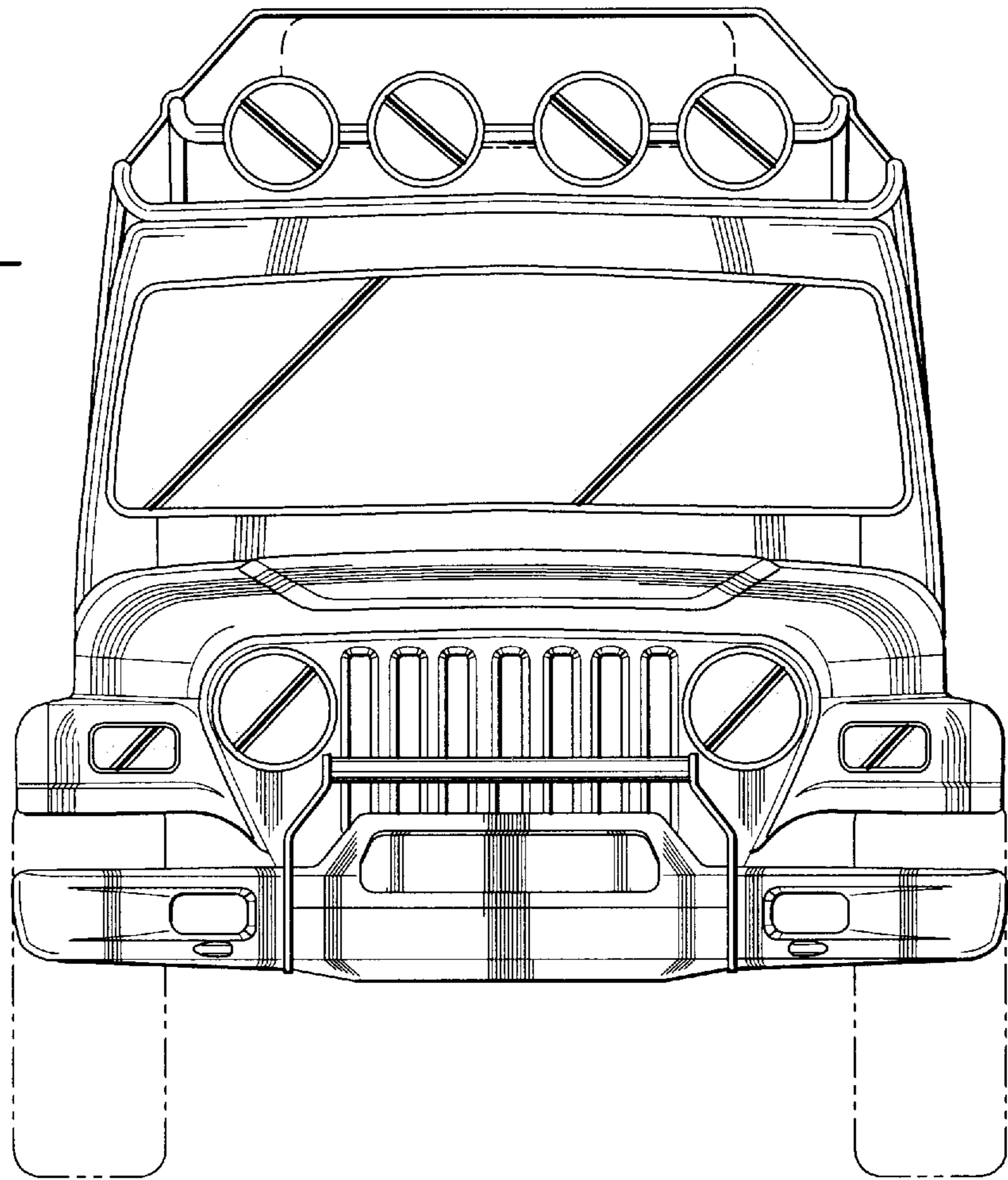


Fig-2

Fig-3



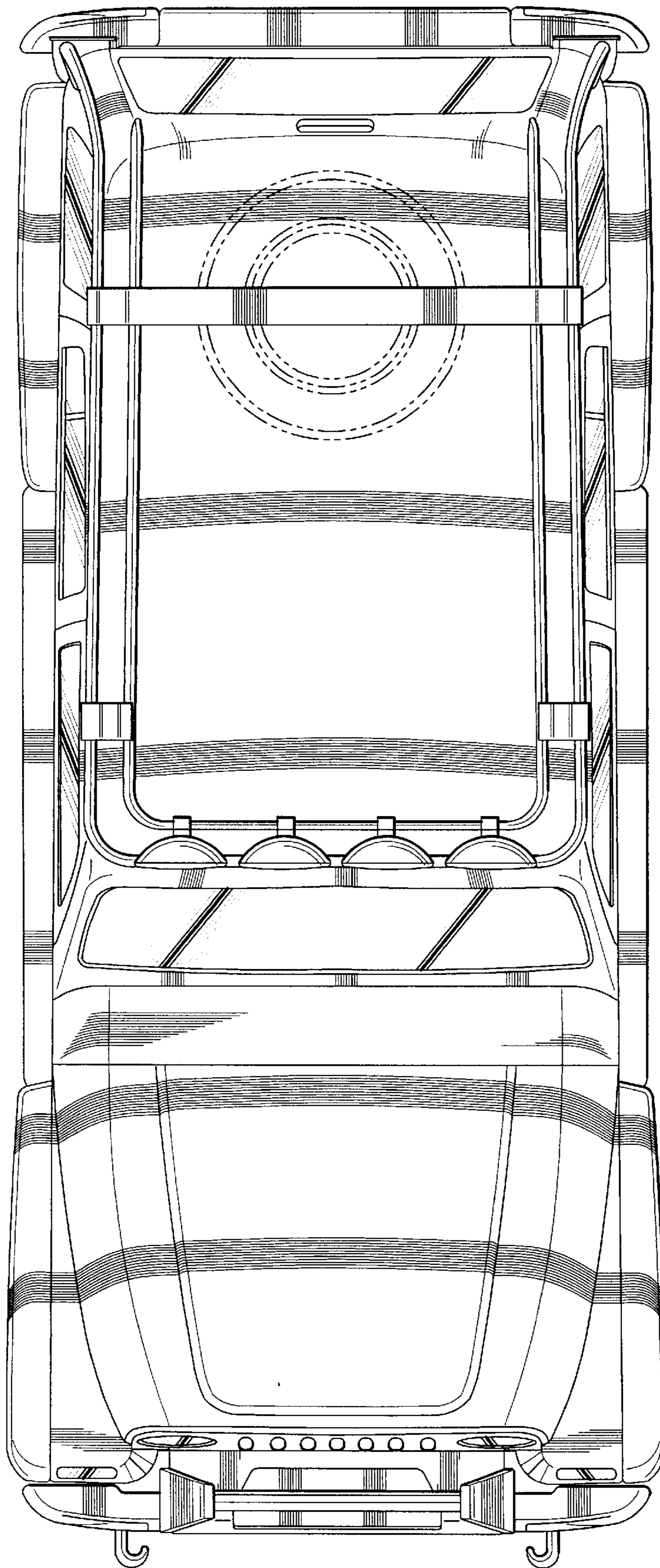


Fig-4

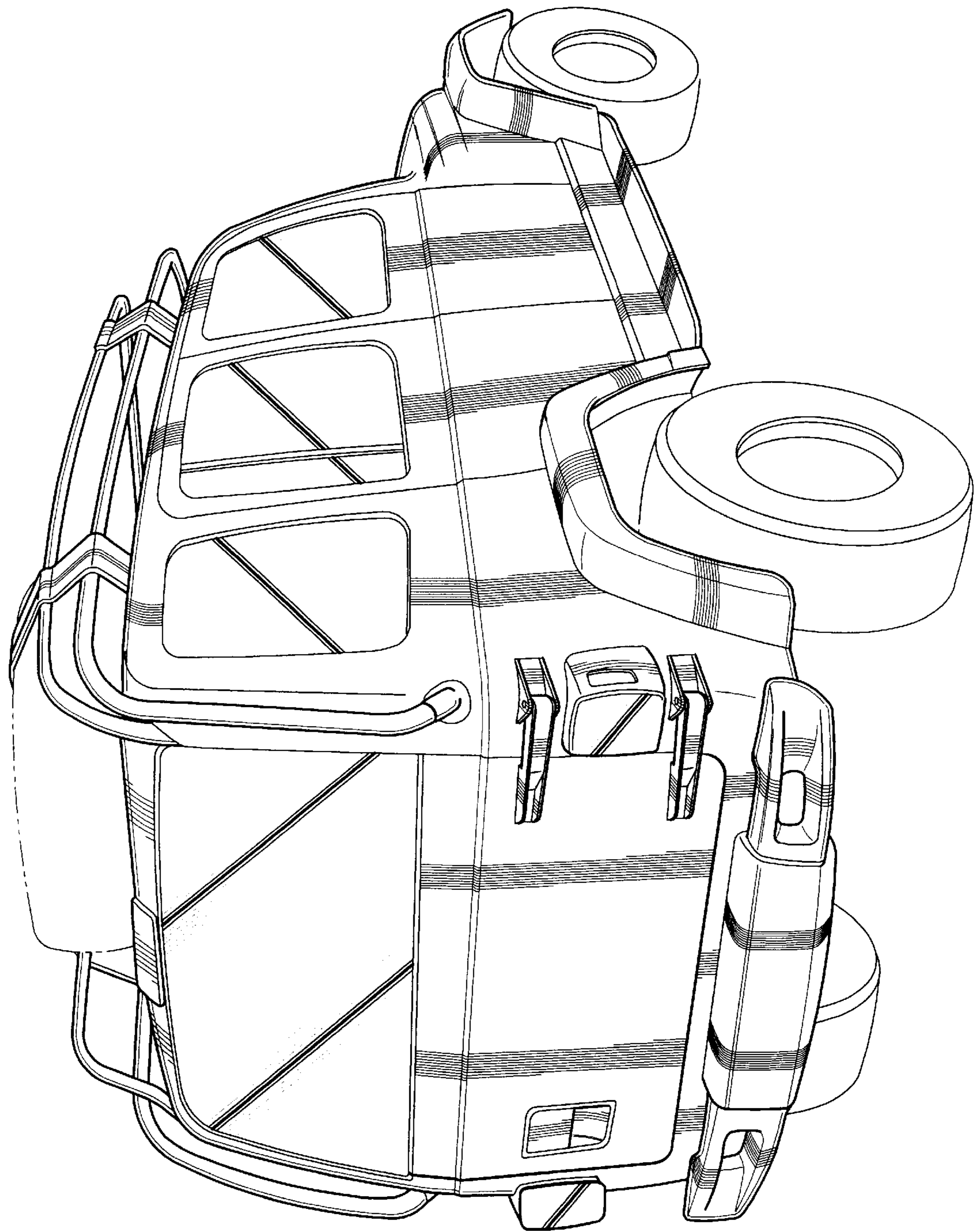


Fig-5

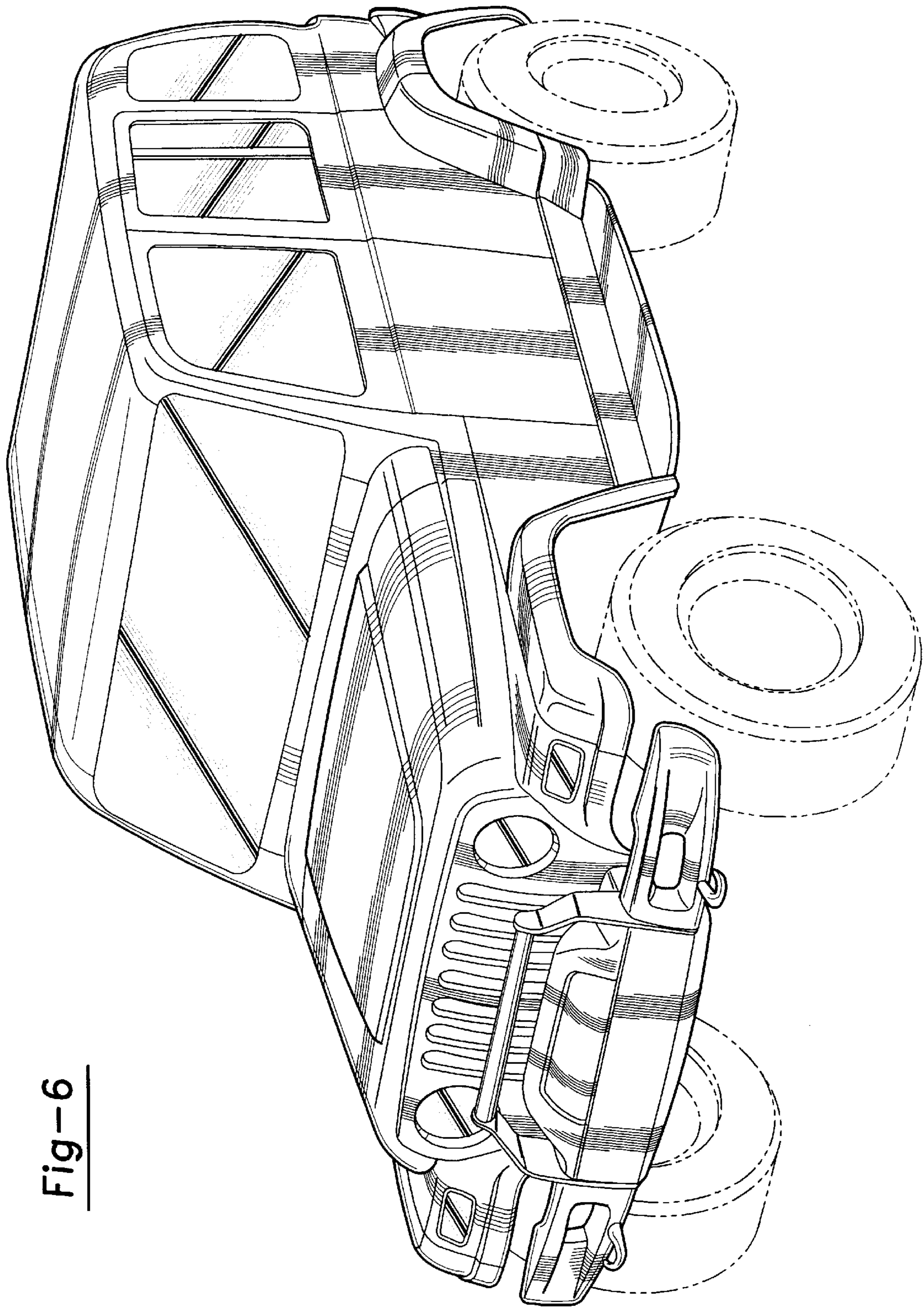


Fig-6