



US00D401185S

United States Patent [19]
McGovern

[11] **Patent Number: Des. 401,185**

[45] **Date of Patent: **Nov. 17, 1998**

[54] **VEHICLE**

[75] Inventor: **Gerard Gabriel McGovern**, Coventry,
England

[73] Assignee: **Rover Group Limited**, Warwick,
England

[**] Term: **14 Years**

[21] Appl. No.: **60,894**

[22] Filed: **Oct. 10, 1996**

[30] **Foreign Application Priority Data**

Apr. 26, 1996	[GB]	United Kingdom	2055868
Apr. 26, 1996	[GB]	United Kingdom	2055869
Apr. 26, 1996	[GB]	United Kingdom	2055870
Apr. 26, 1996	[GB]	United Kingdom	2055871

[51] **LOC (6) Cl.** **12-08**

[52] **U.S. Cl.** **D12/91**

[58] **Field of Search** D12/86, 90-92;
296/183, 185

[56] **References Cited**

U.S. PATENT DOCUMENTS

D. 316,986 5/1991 Hackett et al. D12/96

D. 318,823	8/1991	Wada et al.	D12/91
D. 318,827	8/1991	Wada et al.	D12/91
D. 318,828	8/1991	Wada et al.	D12/91
D. 318,829	8/1991	Wada et al.	D12/91
D. 367,441	2/1996	Taylor et al.	D12/91

Primary Examiner—Melody N. Brown
Attorney, Agent, or Firm—Davis and Bujold

[57] **CLAIM**

I claim the ornamental design for a vehicle, as shown.

DESCRIPTION

FIG. 1 is a perspective view of a vehicle according to the present invention showing the front, top and right side of the vehicle;

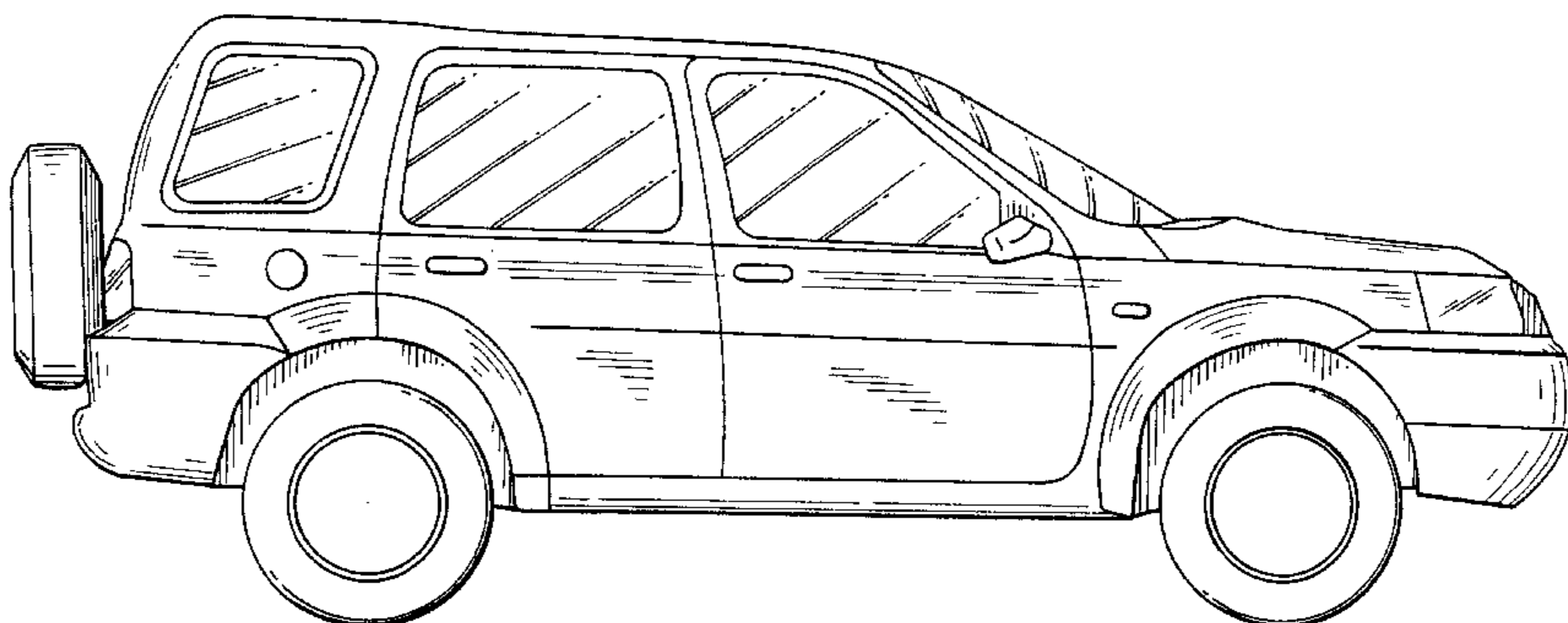
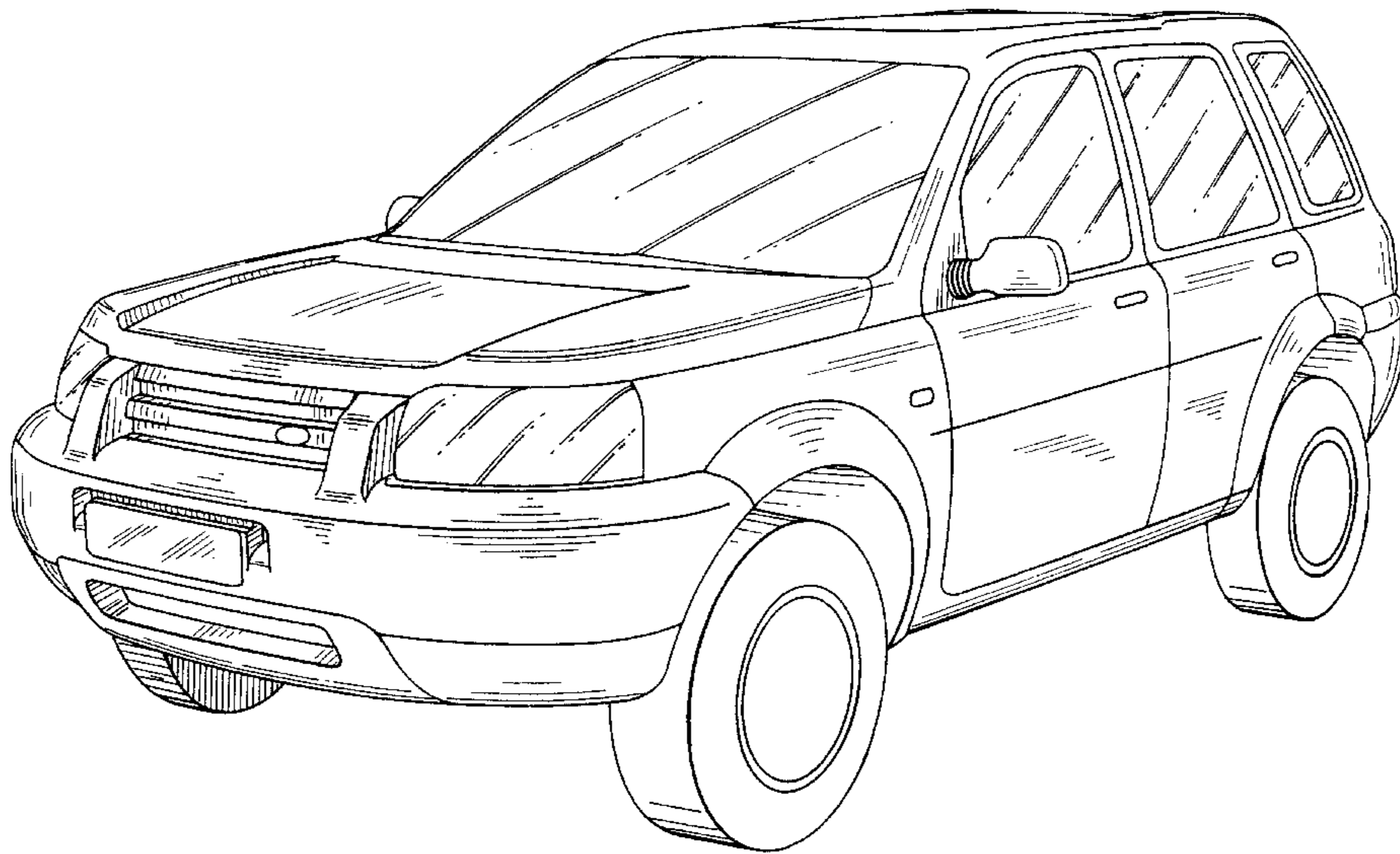
FIG. 2 is a left side view of the vehicle of FIG. 1;

FIG. 3 is a front view of the vehicle of FIG. 1;

FIG. 4 is a top plan view of the vehicle of FIG. 1; and,

FIG. 5 is a rear view of the vehicle of FIG. 1.

1 Claim, 5 Drawing Sheets



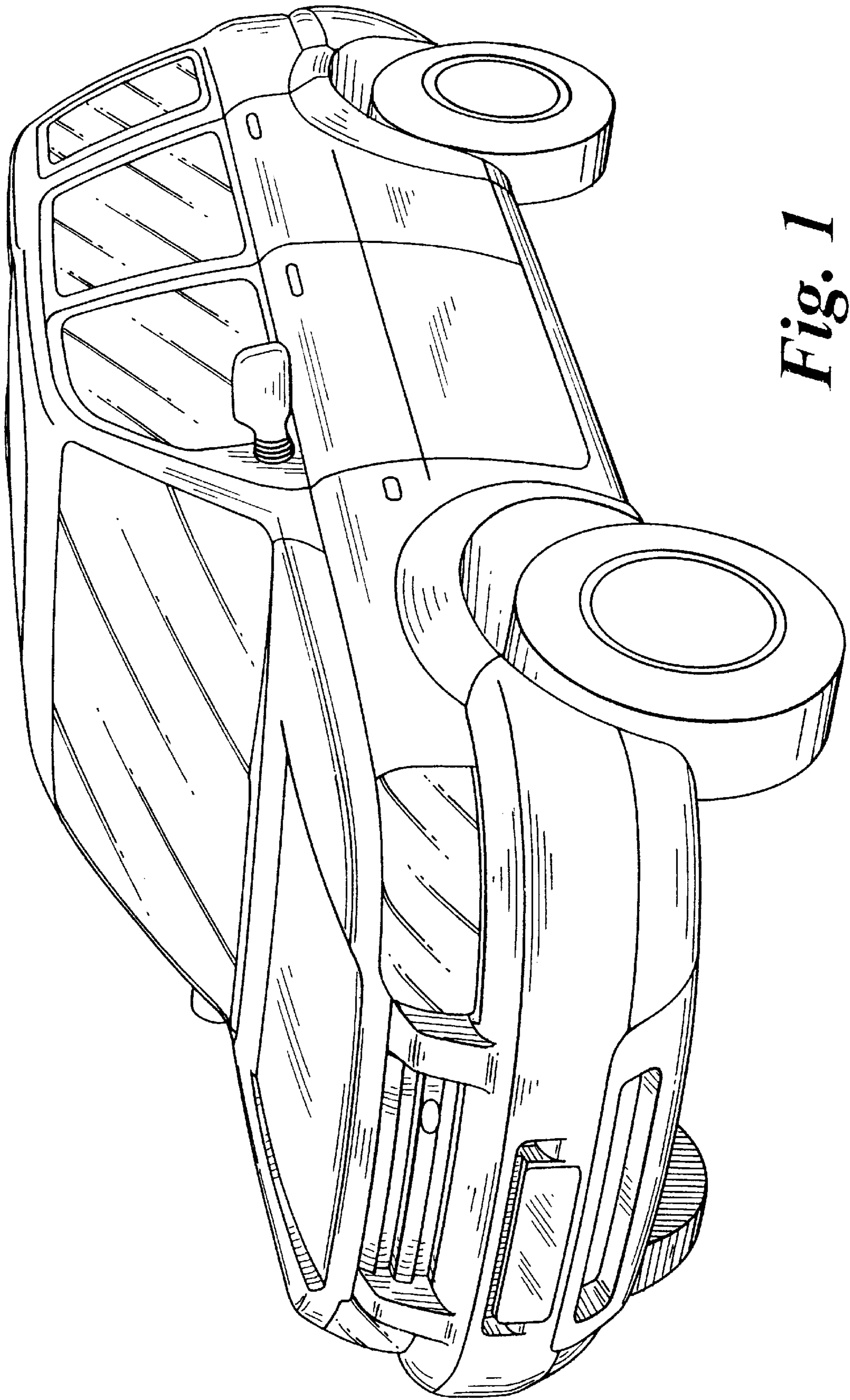


Fig. 1

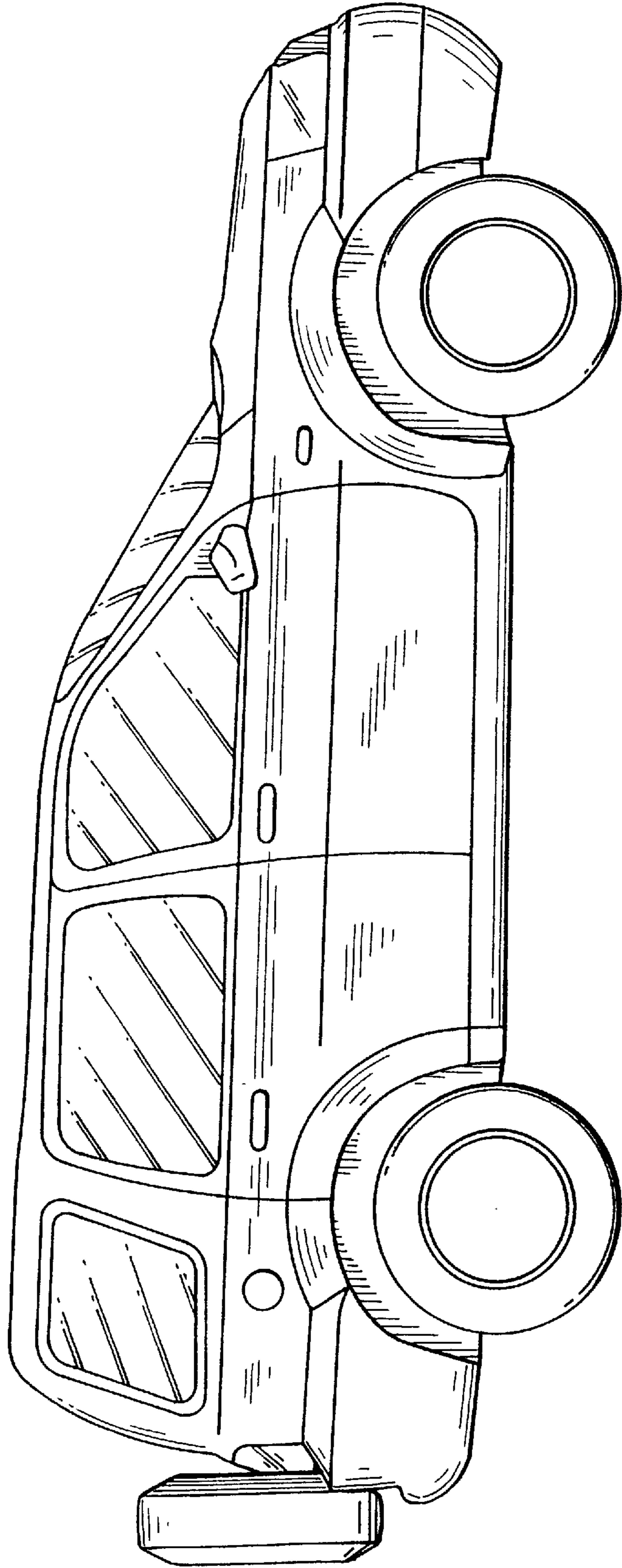


Fig. 2

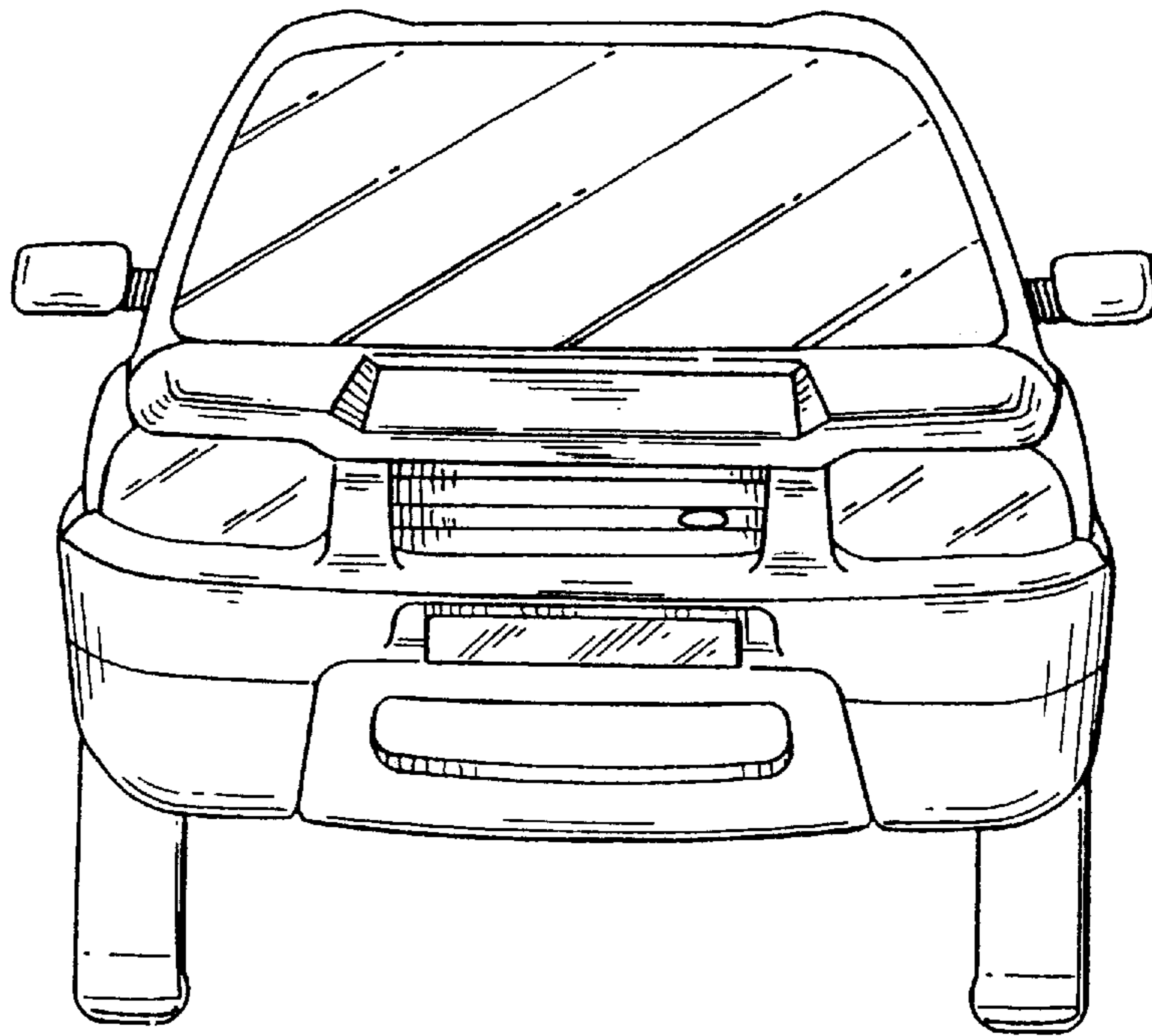


Fig. 3

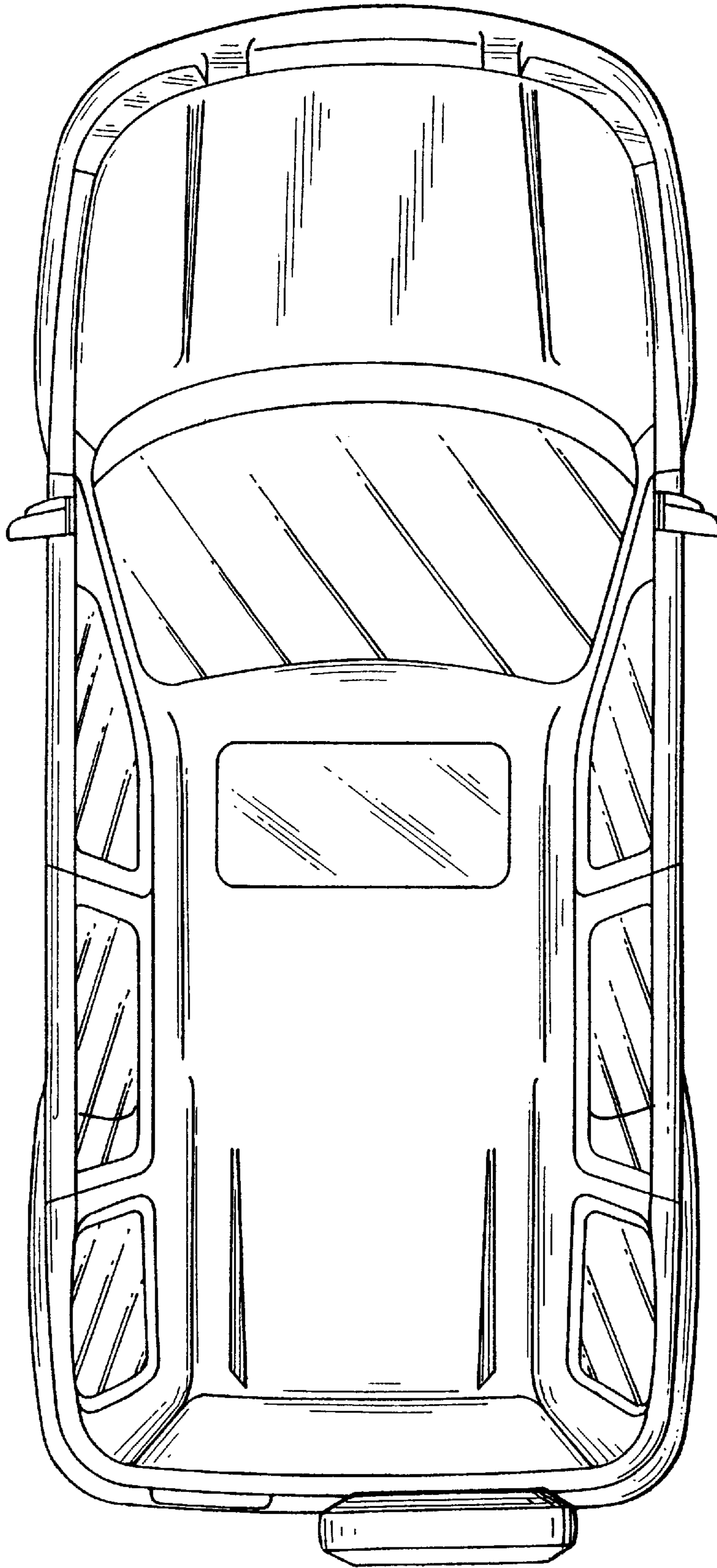


Fig. 4

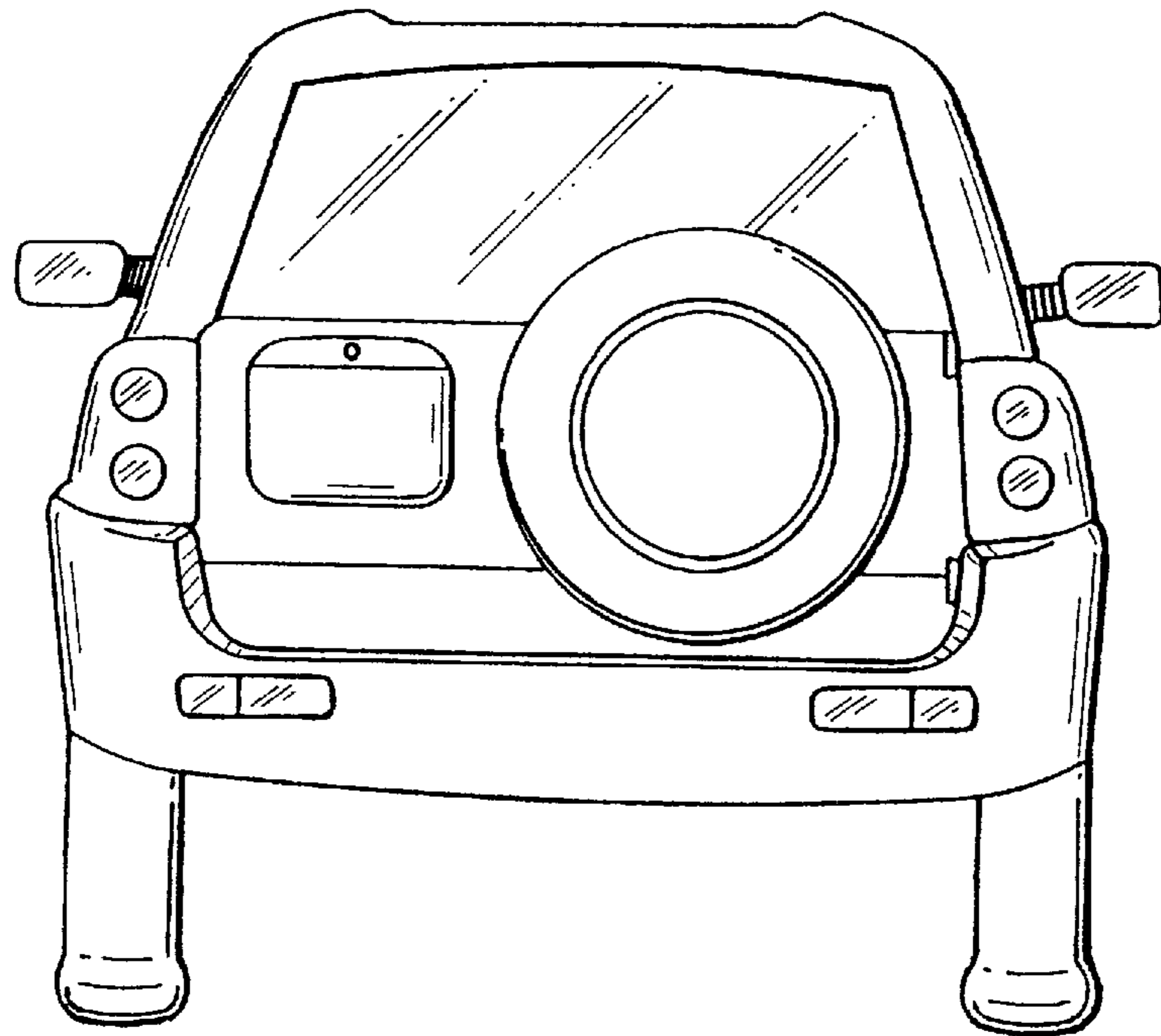


Fig. 5