



US00D401181S

United States Patent [19] Houlihan

[11] **Patent Number: Des. 401,181**

[45] **Date of Patent: **Nov. 17, 1998**

[54] **WATCH STRAP**

[75] Inventor: **John T. Houlihan**, Southbury, Conn.

[73] Assignee: **Timex Corporation**, Middlebury, Conn.

[**] Term: **14 Years**

[21] Appl. No.: **74,388**

[22] Filed: **Aug. 4, 1997**

[51] **LOC (6) Cl.** **11-01**

[52] **U.S. Cl.** **D11/3**

[58] **Field of Search** D11/1-6, 12-25;
63/1.1, 2, 3; D10/32; 224/164

[56] **References Cited**

U.S. PATENT DOCUMENTS

- D. 378,807 4/1997 Houlihan D11/3
- D. 379,940 6/1997 Riley D11/3

- D. 383,692 9/1997 Woo et al. D11/3
- 1,840,771 1/1932 Duerr D11/12

Primary Examiner—Ralf Seifert
Attorney, Agent, or Firm—Arthur G. Schaier

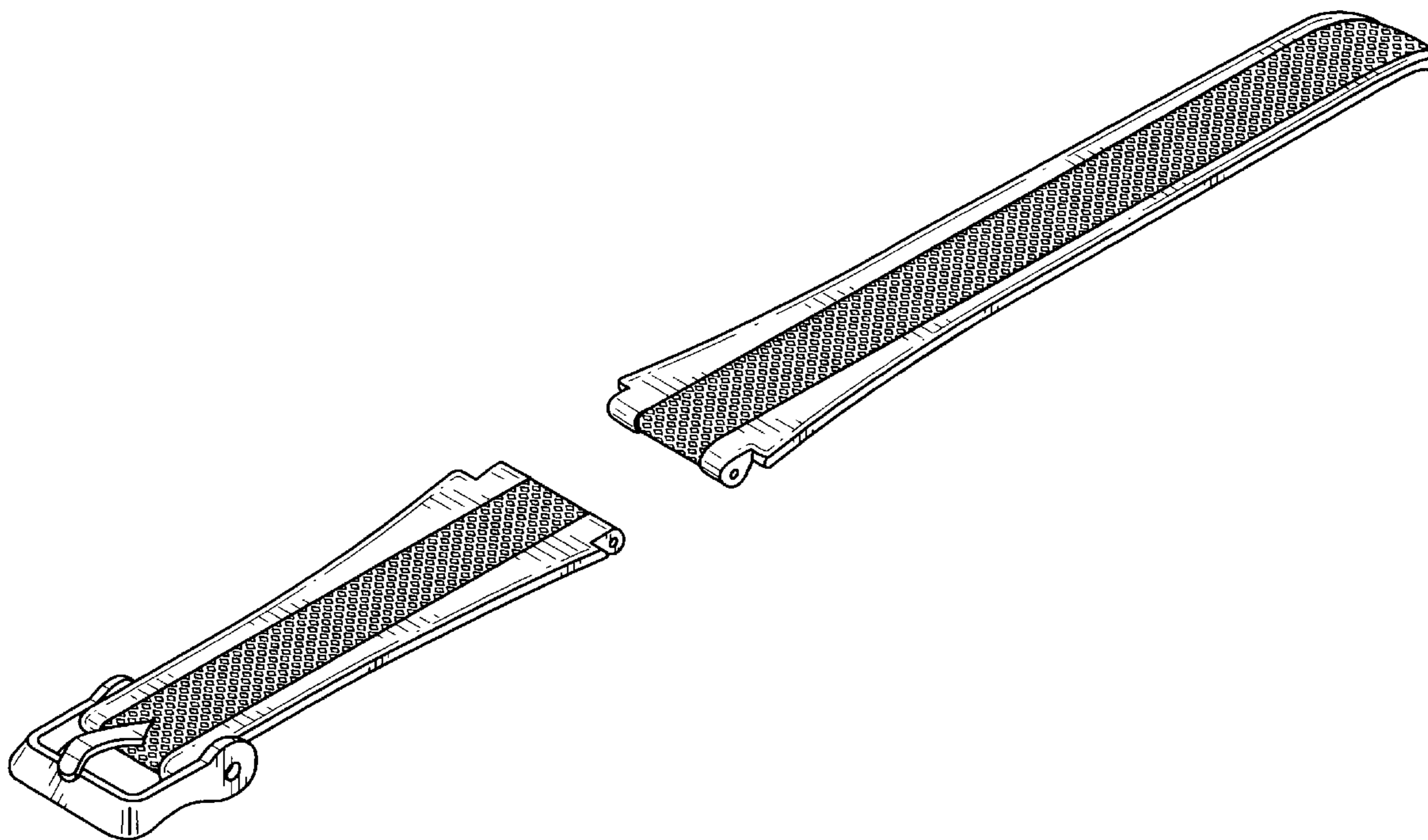
[57] **CLAIM**

The ornamental design for a watch strap, as shown and described.

DESCRIPTION

FIG. 1 is a perspective view of a watch strap showing my new design;
FIG. 2 is a top plan view thereof;
FIG. 3 is a right side elevational view thereof;
FIG. 4 is a bottom plan view thereof;
FIG. 5 is a left side elevational view thereof;
FIG. 6 is an end elevational view thereof; and,
FIG. 7 is the other end elevational view thereof.

1 Claim, 2 Drawing Sheets



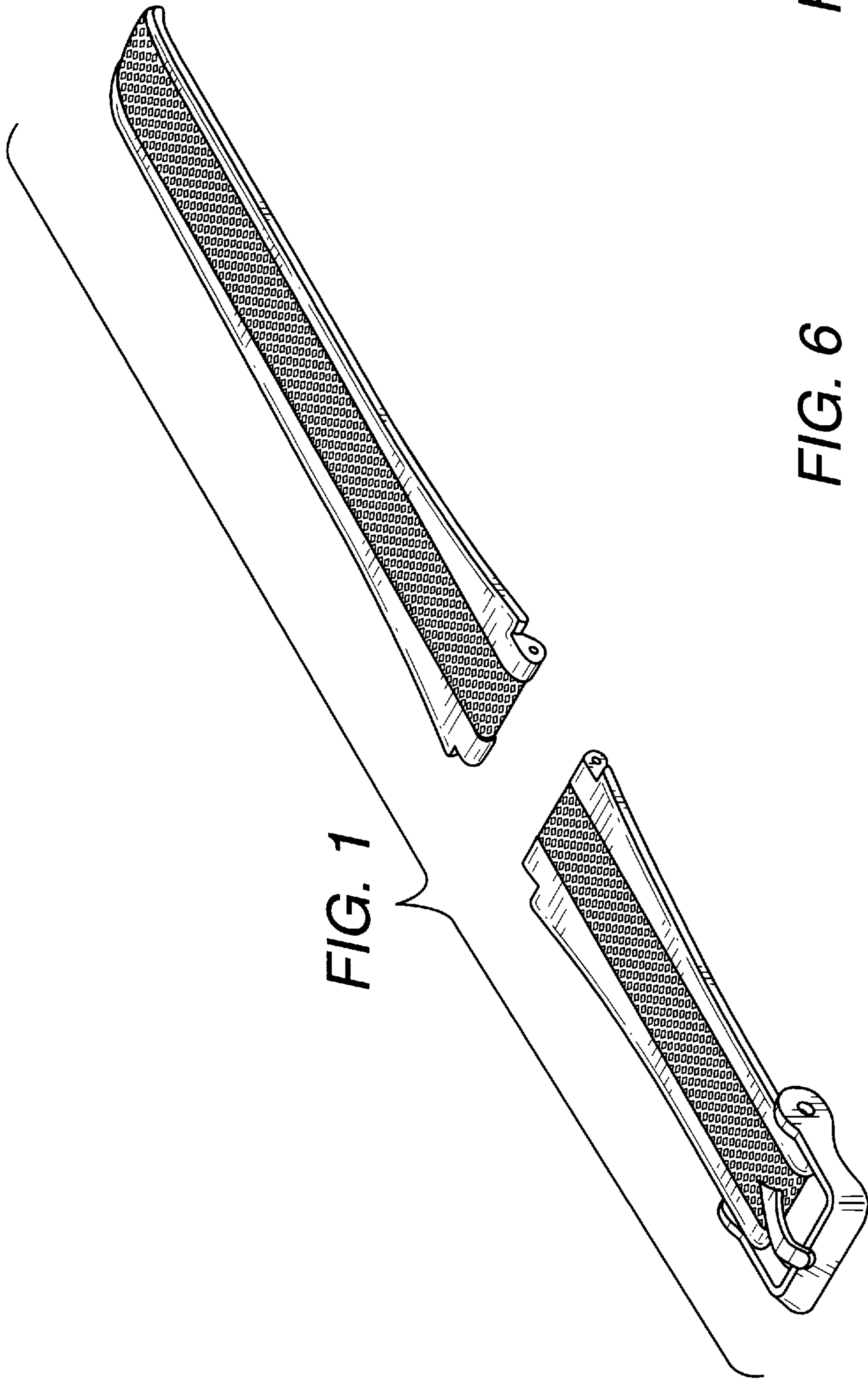


FIG. 6



FIG. 7

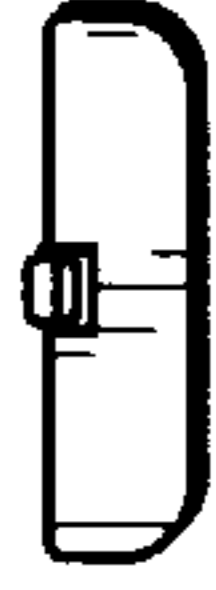


FIG. 2

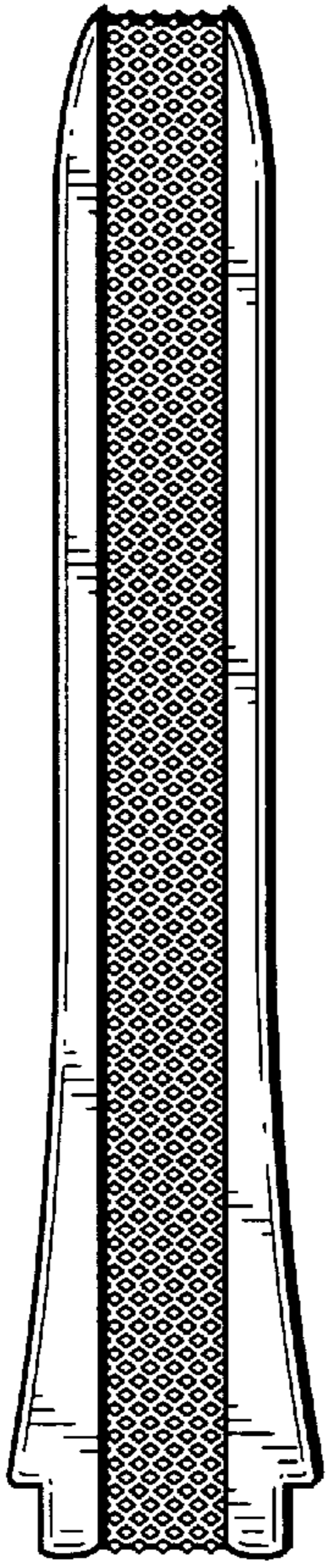
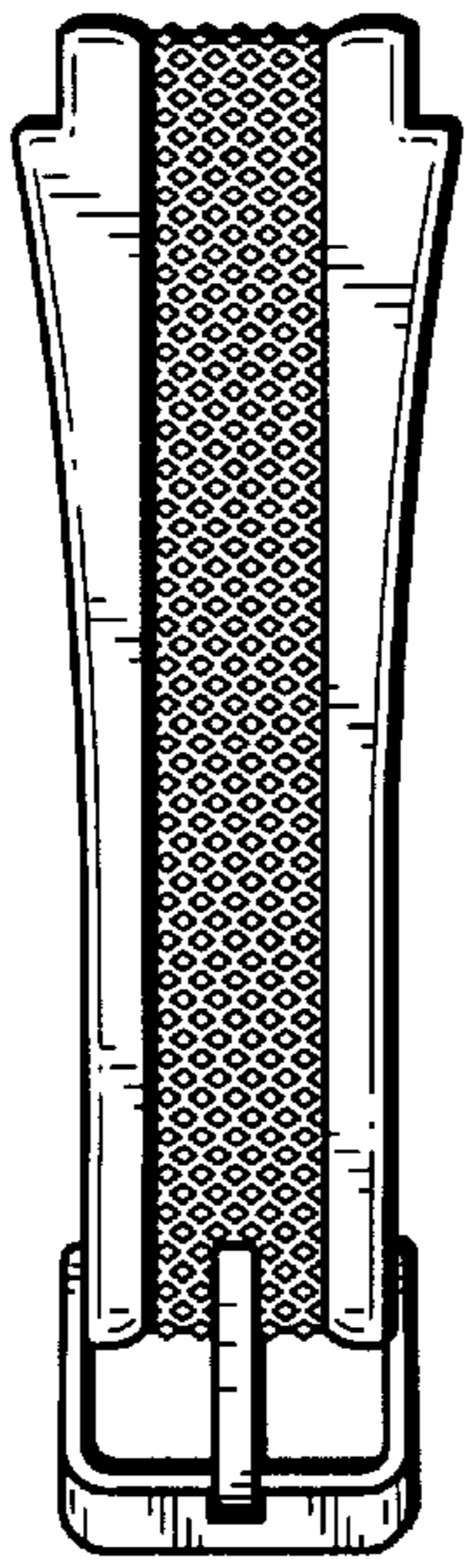


FIG. 3



FIG. 4

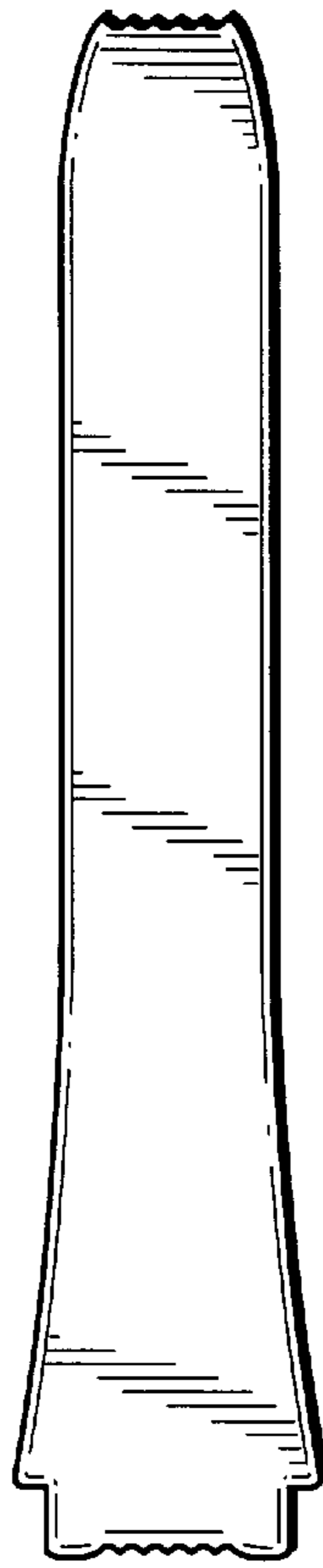
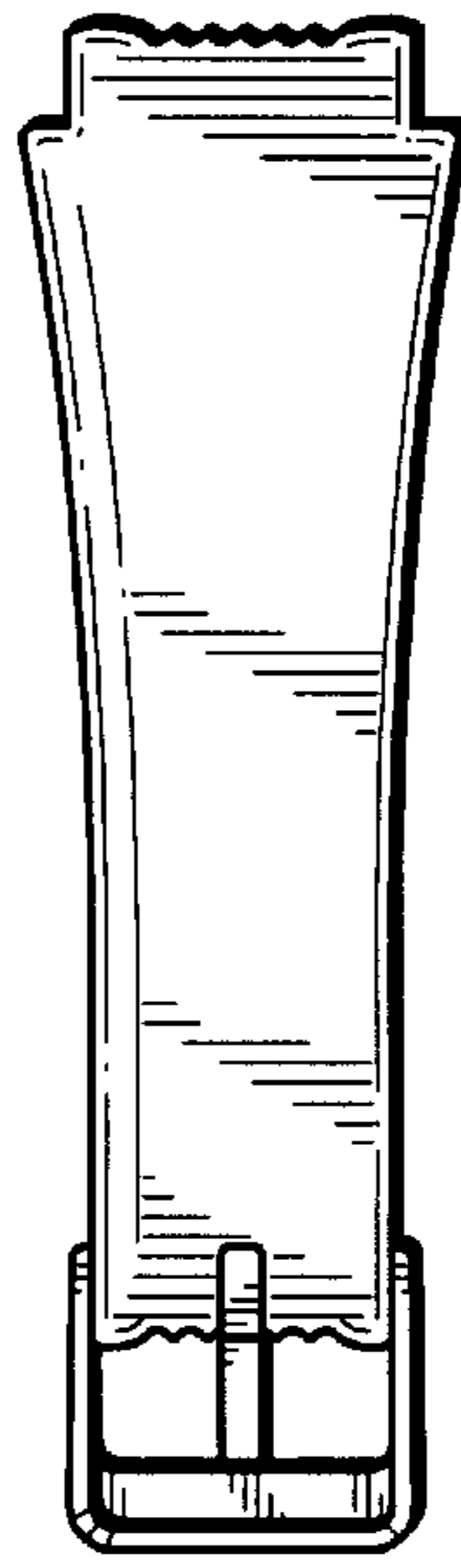


FIG. 5

