



US00D401178S

United States Patent [19] Liu

[11] **Patent Number: Des. 401,178**

[45] **Date of Patent: **Nov. 17, 1998**

[54] **SECURITY SYSTEM CONTROL PANEL**

[76] Inventor: **I-Chang Liu**, 3F, No. 1-62, Lane 81,
Yuan Dong St., Long Jing Hsian,
Taichung Hsien, Taiwan

[**] Term: **14 Years**

[21] Appl. No.: **81,655**

[22] Filed: **Jan. 7, 1998**

[51] **LOC (6) Cl.** **10-05**

[52] **U.S. Cl.** **D10/106**

[58] **Field of Search** D10/104, 106,
D10/116, 121; 340/541, 542, 551, 571,
572, 573, 577, 593, 691, 692, 693

[56] **References Cited**

U.S. PATENT DOCUMENTS

D. 310,791	9/1990	Farrell et al.	D10/106
D. 312,221	11/1990	Stelle et al.	D10/106
D. 328,260	7/1992	Zoew et al.	D10/106
D. 341,788	11/1993	Caryl et al.	D10/106

D. 347,398	5/1994	Hodge	D10/106
D. 349,254	8/1994	Buzzard	D10/106
D. 353,116	12/1994	Huang	D10/106
D. 373,093	8/1996	Fenne	D10/106
D. 373,545	9/1996	Armano, Sr.	D10/106
D. 377,620	1/1997	Battistic	D10/106
D. 390,837	2/1998	Hower et al.	D10/104

Primary Examiner—Marcus A. Jackson
Attorney, Agent, or Firm—Browdy and Neimark

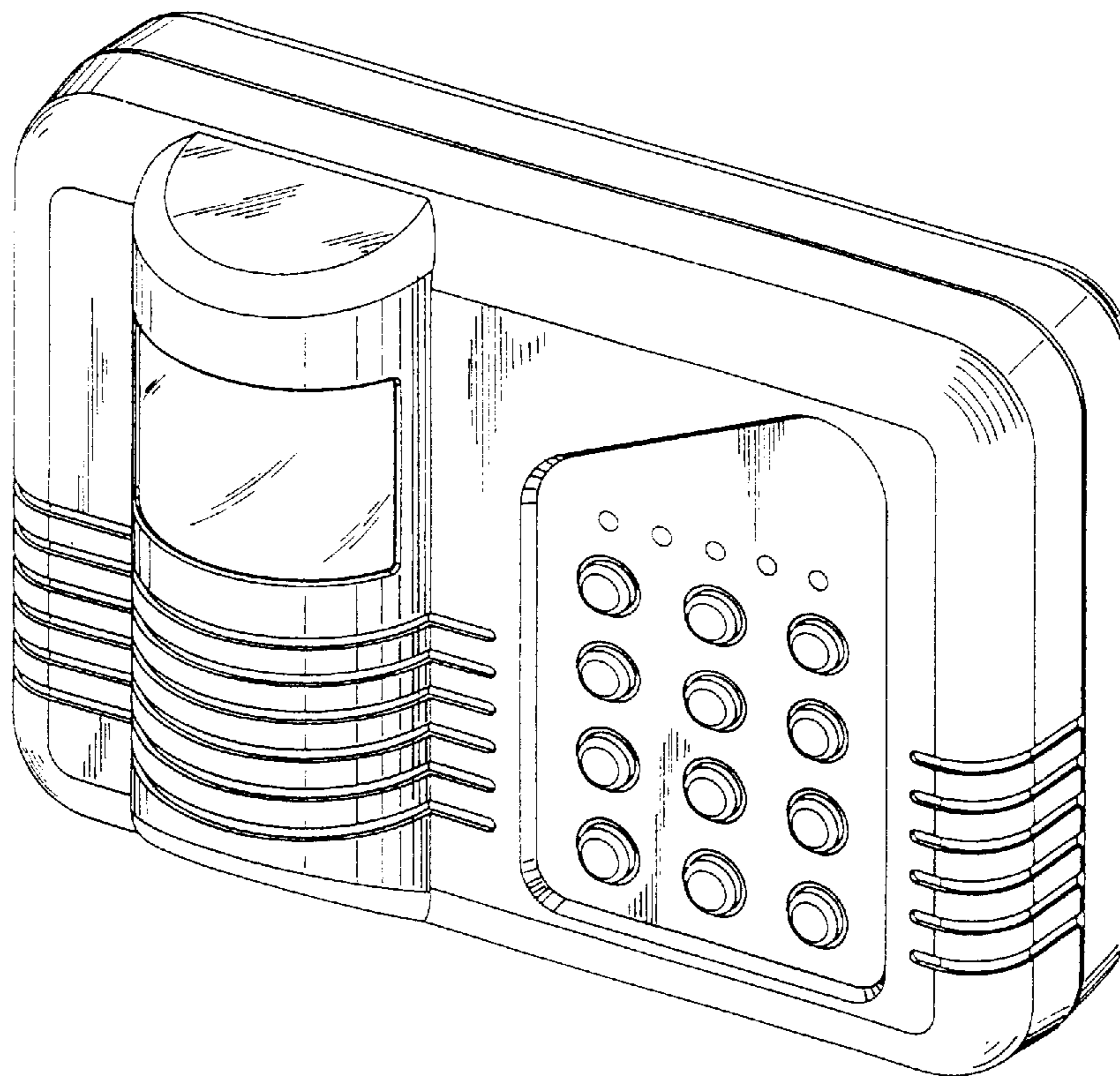
[57] **CLAIM**

The ornamental design for a “security system control panel,” as shown and described.

DESCRIPTION

FIG. 1 shows a perspective view of the present design; FIG. 2 shows a front elevational view of the present design; FIG. 3 shows a rear elevational view of the present design; FIG. 4 shows a left elevational view of the present design; FIG. 5 shows a right elevational view of the present design; FIG. 6 shows a top plan view of the present design; and, FIG. 7 shows a bottom plan view of the present design.

1 Claim, 2 Drawing Sheets



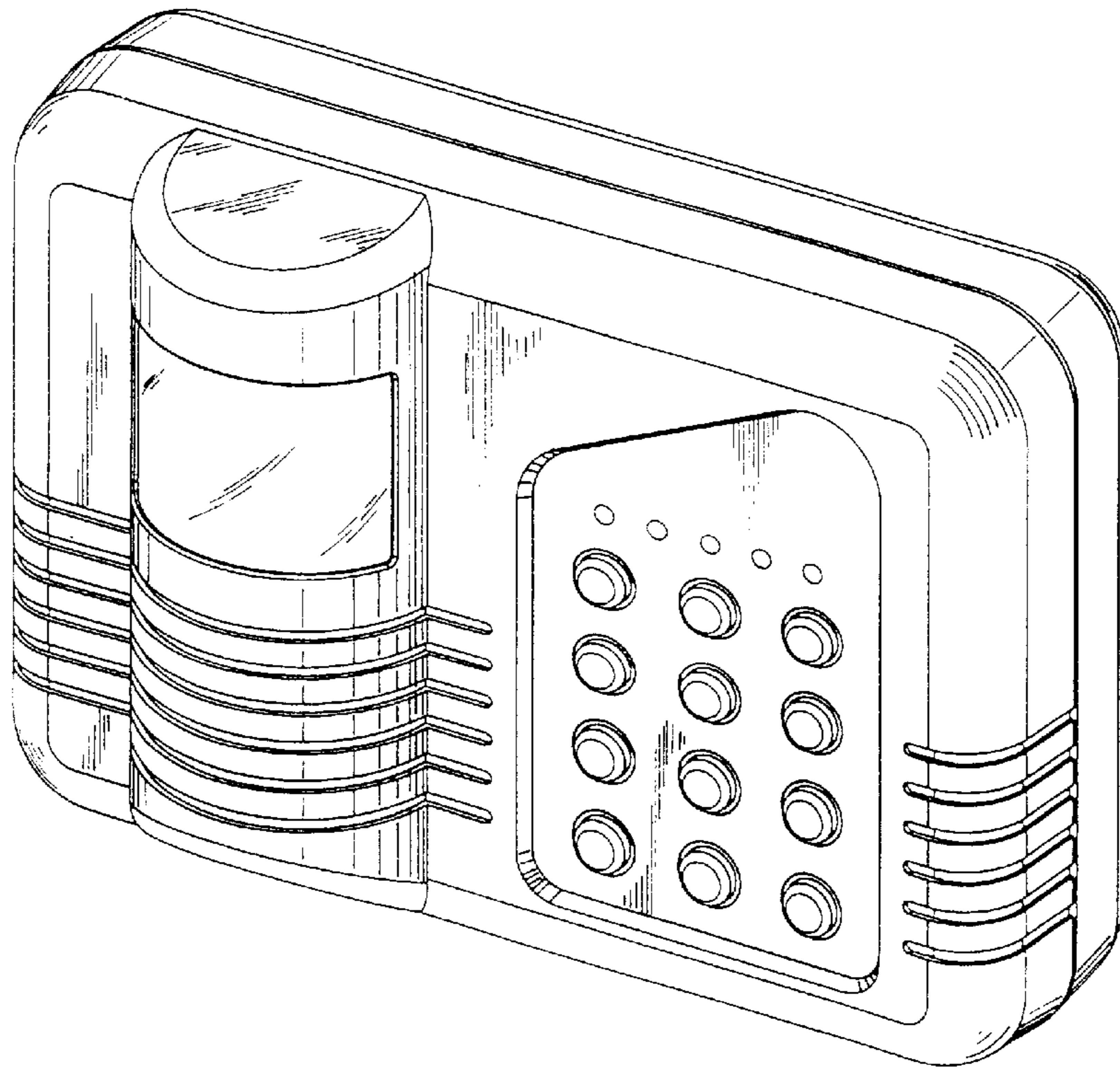


FIG. 1

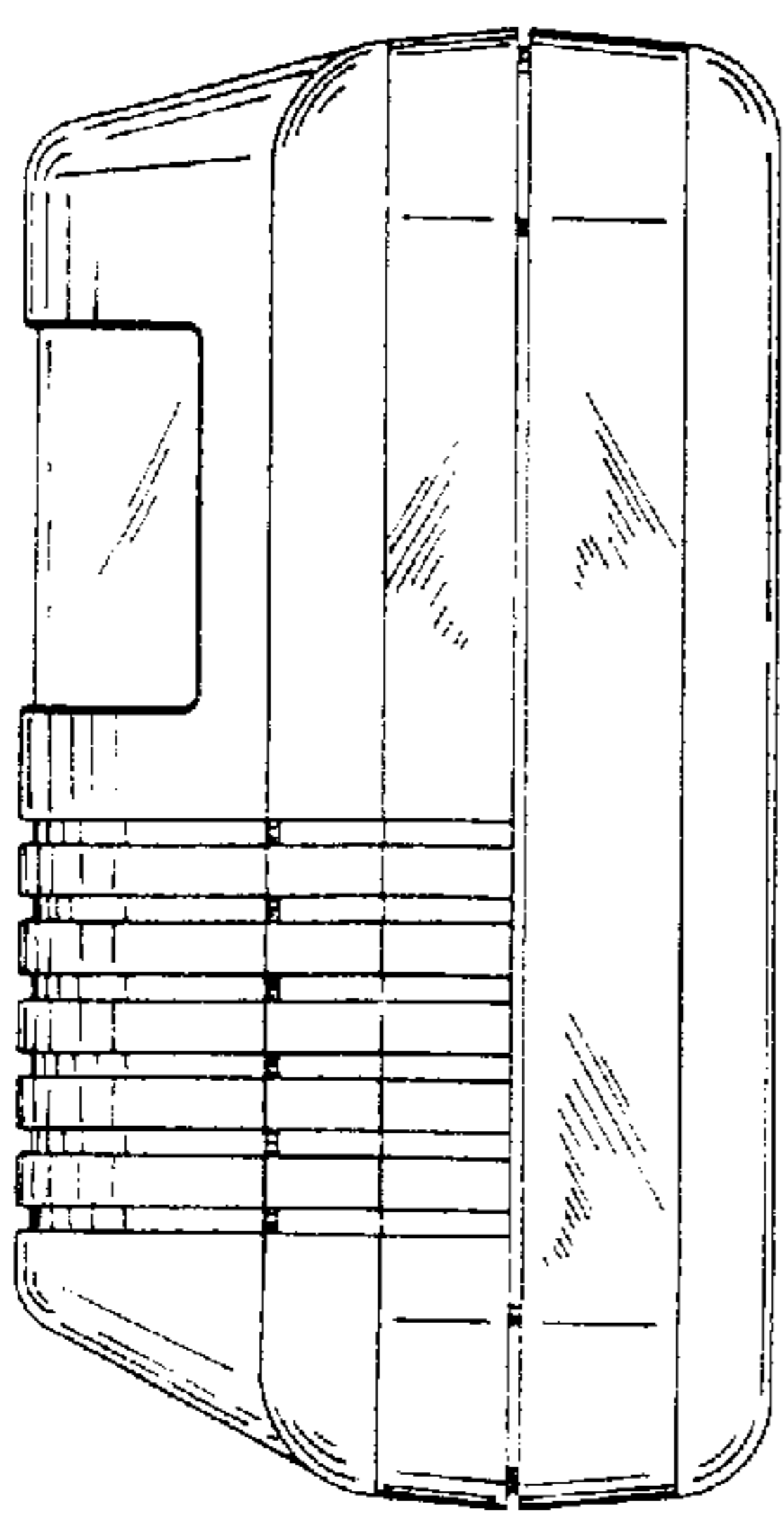


FIG. 5

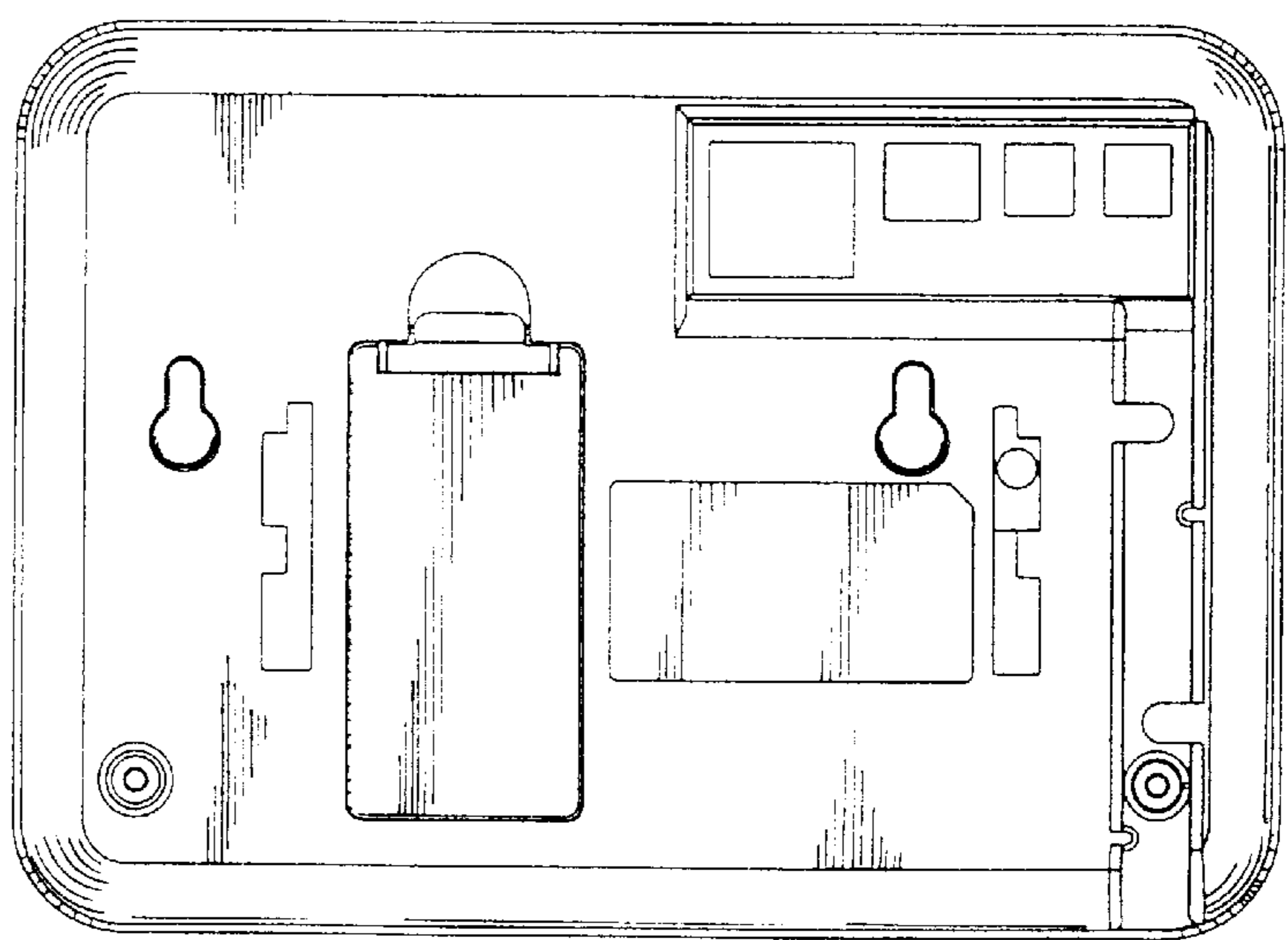


FIG. 3

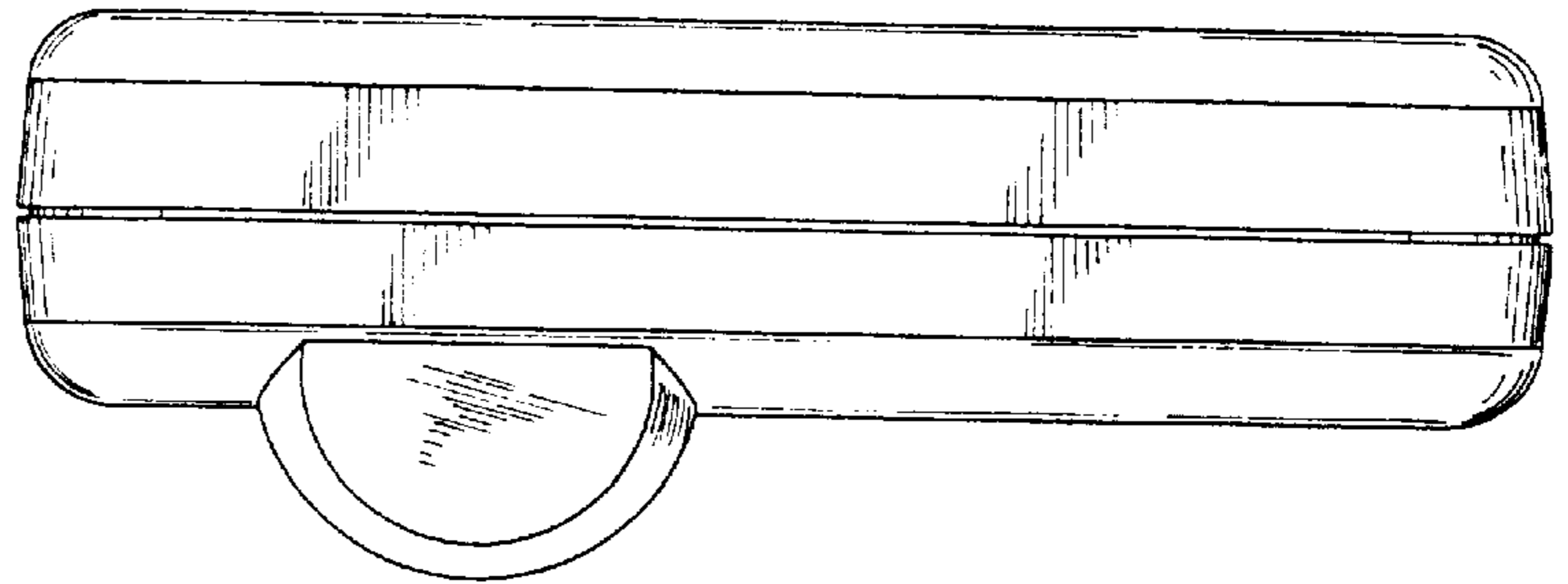


FIG. 6

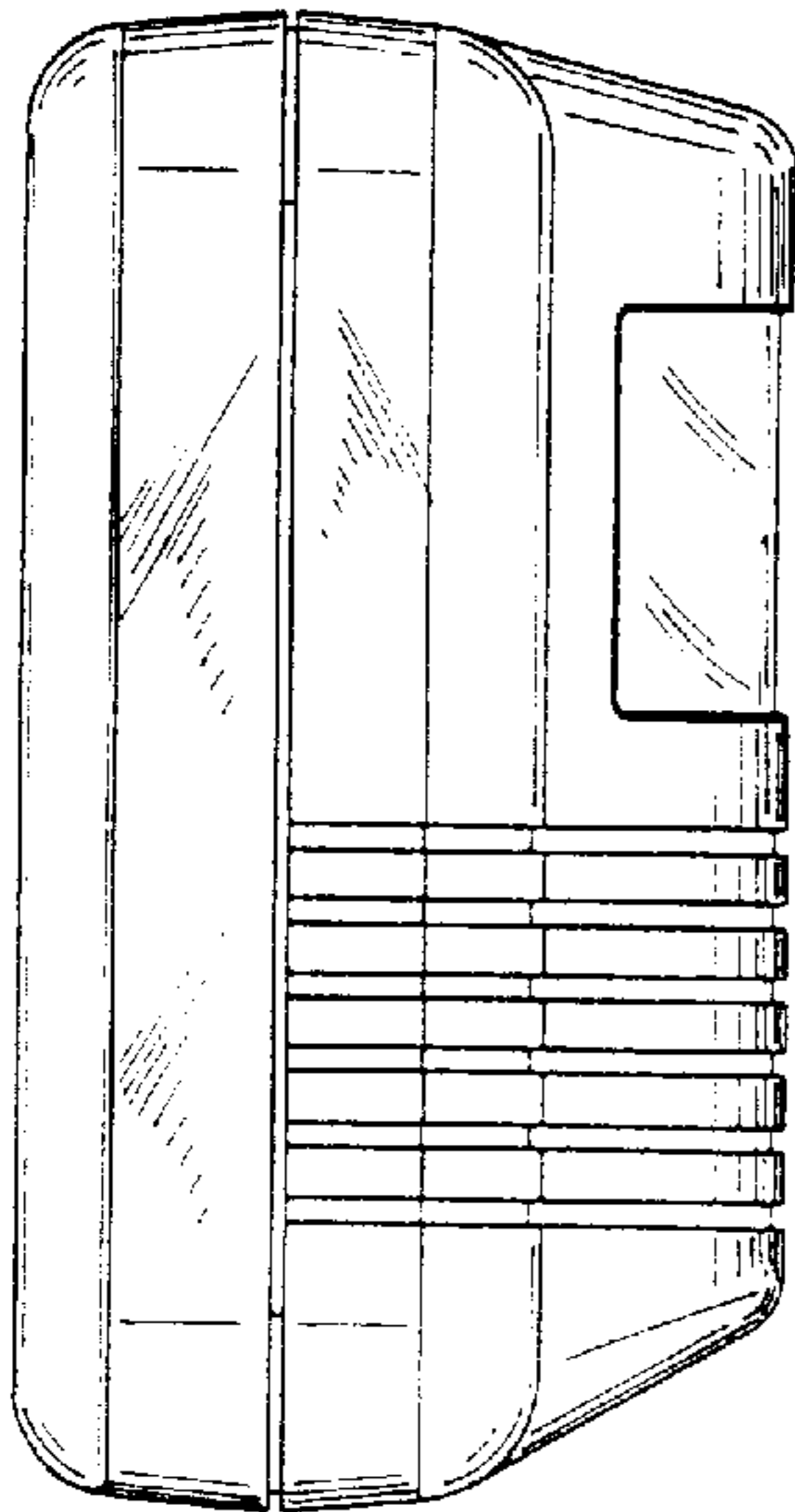


FIG. 4

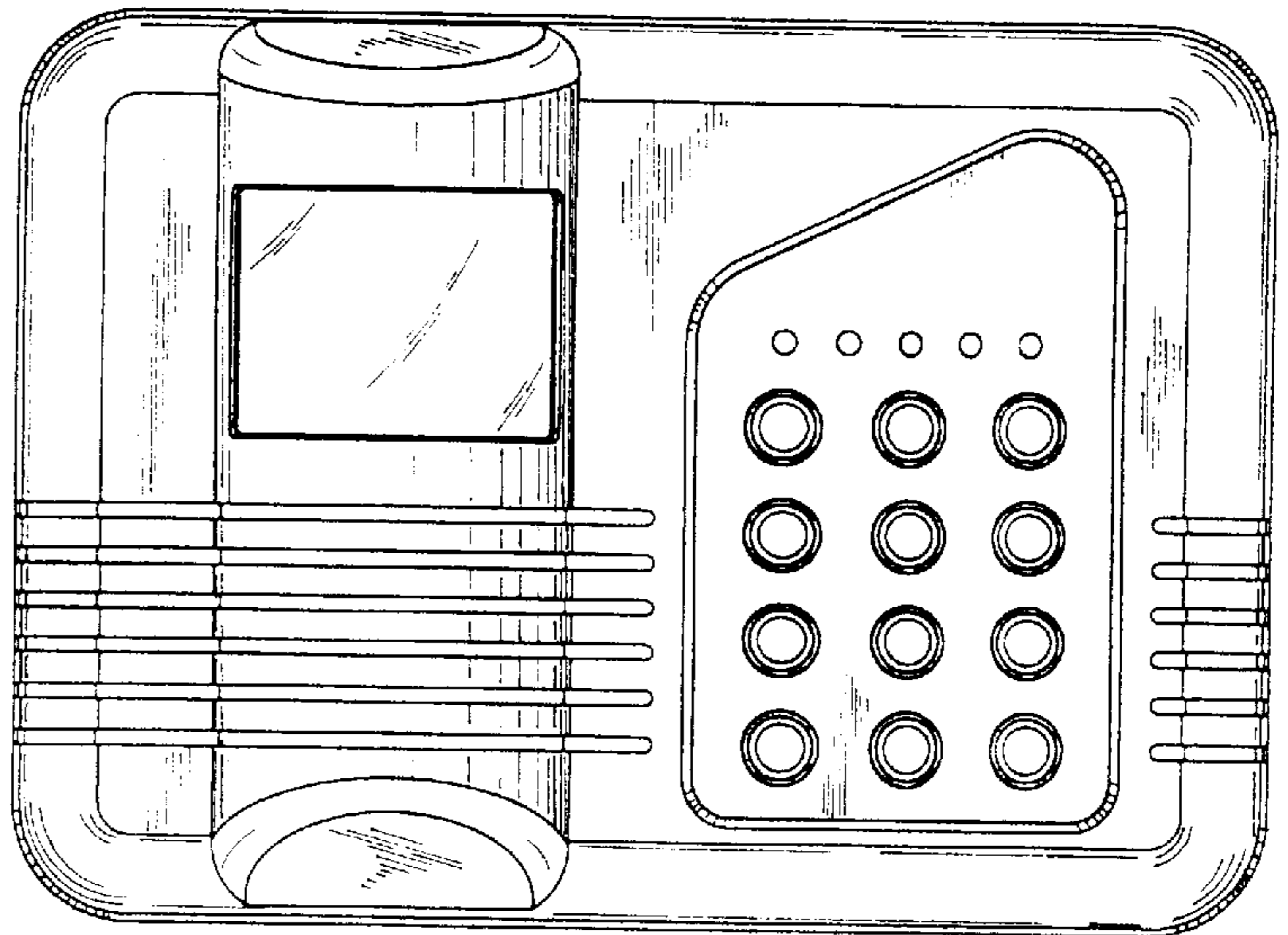


FIG. 2

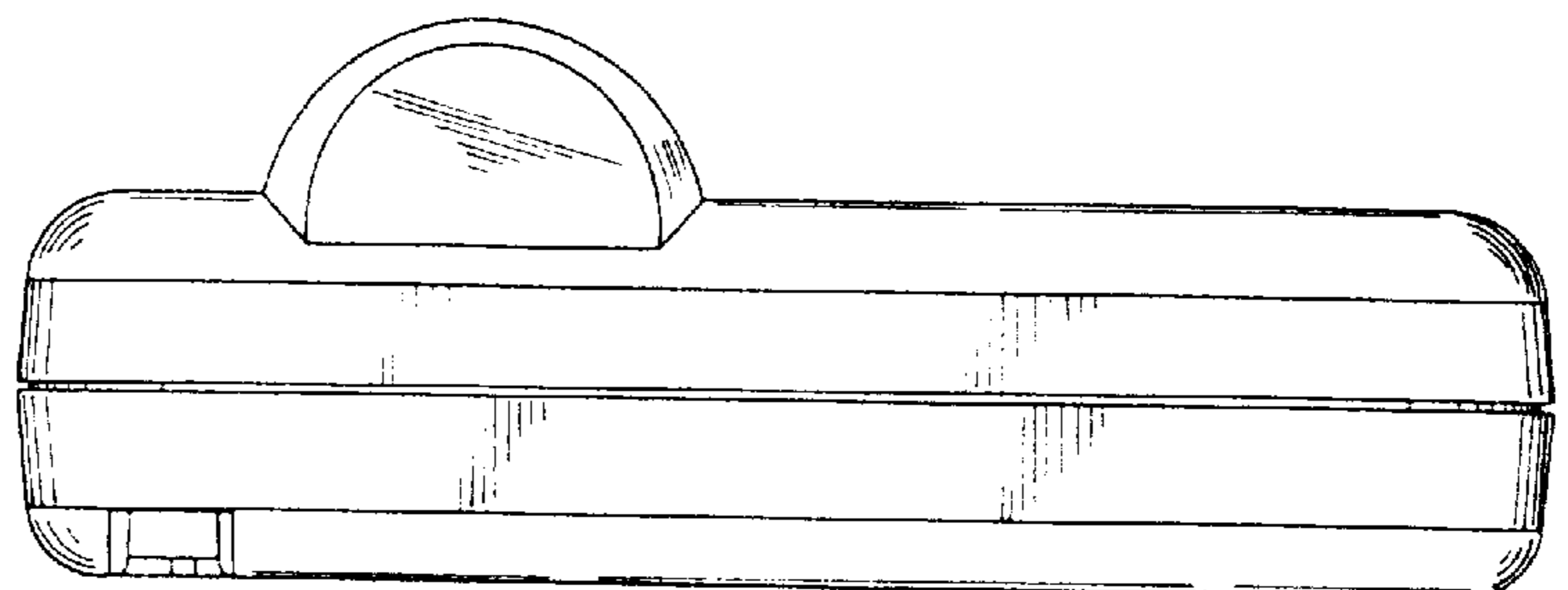


FIG. 7