



US00D401170S

United States Patent [19] Reymond

[11] **Patent Number: Des. 401,170**

[45] **Date of Patent: **Nov. 17, 1998**

[54] **MODULAR CALIPER**

[75] **Inventor: Jean Claude Reymond, Chavannes, Switzerland**

[73] **Assignee: Tesa Brown & Sharpe S.A., Renens, Switzerland**

[**] **Term: 14 Years**

[21] **Appl. No.: 60,227**

[22] **Filed: Sep. 24, 1996**

[30] **Foreign Application Priority Data**

Jun. 6, 1996 [XH] Hague Agreement DMA/003343

[51] **LOC (6) Cl. 10-04**

[52] **U.S. Cl. D10/73**

[58] **Field of Search D10/73; 33/783-832, 33/DIG. 12**

[56] **References Cited**

U.S. PATENT DOCUMENTS

- D. 334,719 4/1993 Yeo D10/73
- D. 377,912 2/1997 Walser D10/73
- D. 386,994 12/1997 Reymond D10/73
- D. 387,690 12/1997 Reymond D10/73

FOREIGN PATENT DOCUMENTS

- 0719999A1 7/1996 European Pat. Off. .
- 2481441 10/1981 France .
- 2703145 9/1994 France .
- 3434933 11/1985 Germany .
- 3834306 4/1990 Germany .

- 9005309 U 11/1990 Germany .
- 4207142 9/1993 Germany .
- 101636 10/1923 Switzerland .
- 165061 10/1933 Switzerland .

OTHER PUBLICATIONS

Patent Abstracts of Japan, vol. 7, No. 224 (p. 227), Oct. 5, 1983.

Primary Examiner—Antoine Duval Davis
Attorney, Agent, or Firm—Beveridge, DeGrandi, Weilacher & Young, L.L.P.

[57] **CLAIM**

The ornamental design for a modular caliper, as shown and described.

DESCRIPTION

FIG. 1 is a top planar view of a first embodiment of said modular caliper;
 FIG. 2 is a rear elevational view of that which is shown in FIG. 1;
 FIG. 3 is a front elevational view of that which is shown in FIG. 1;
 FIG. 4 is a left side view of that which is shown in FIG. 1;
 FIG. 5 is a right side view of that which is shown in FIG. 1;
 FIG. 6 is a bottom plan view of that which is shown in FIG. 1;
 FIG. 7 is a perspective view of that which is shown in FIG. 1 with gauge closed; and,
 FIG. 8 is a perspective view of the embodiment shown in FIG. 1 with gauge opened.

1 Claim, 2 Drawing Sheets

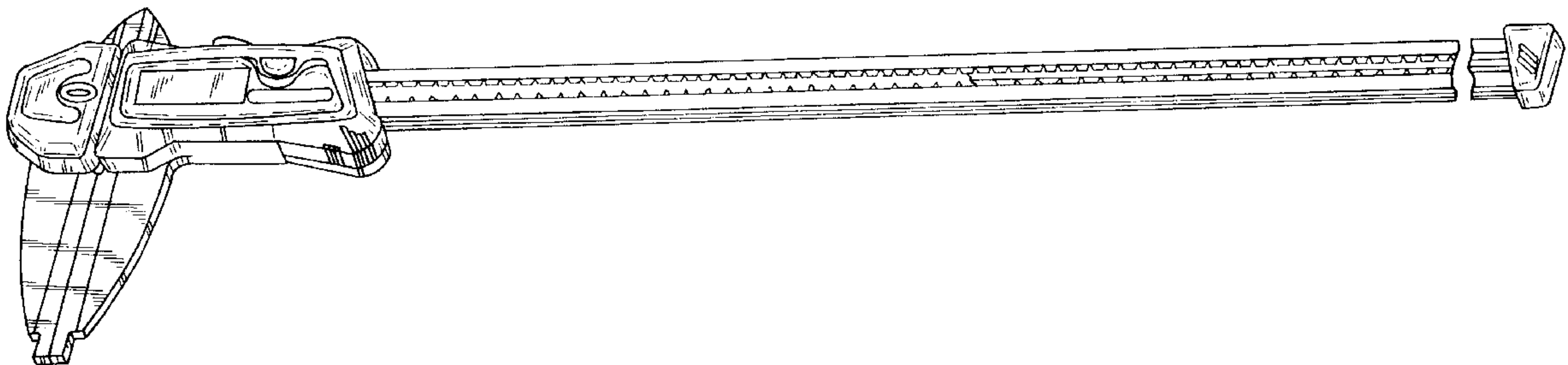




FIG. 3

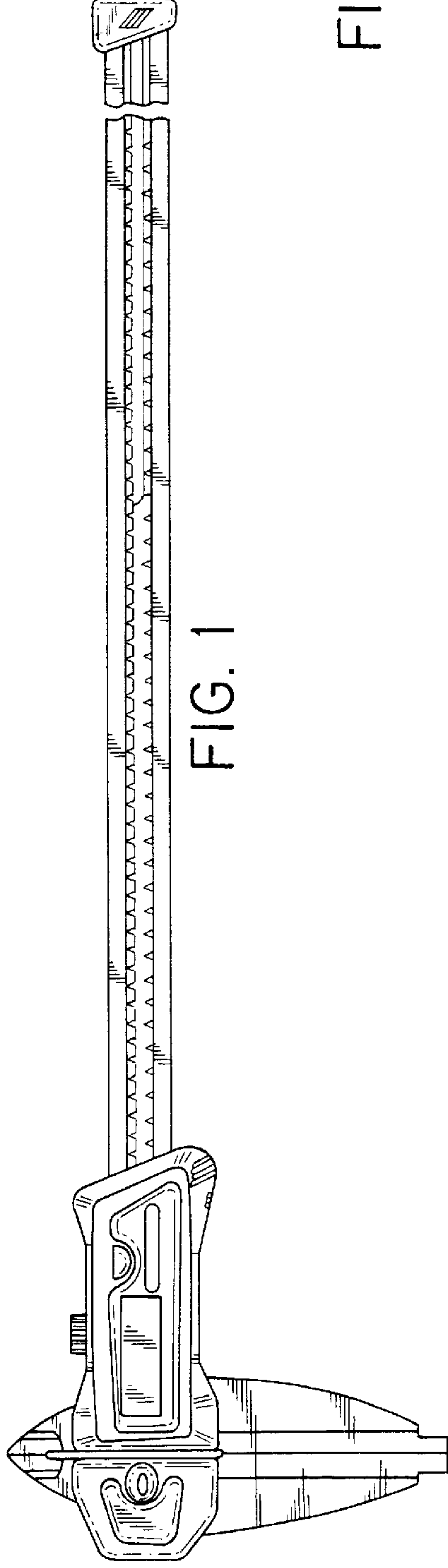


FIG. 1

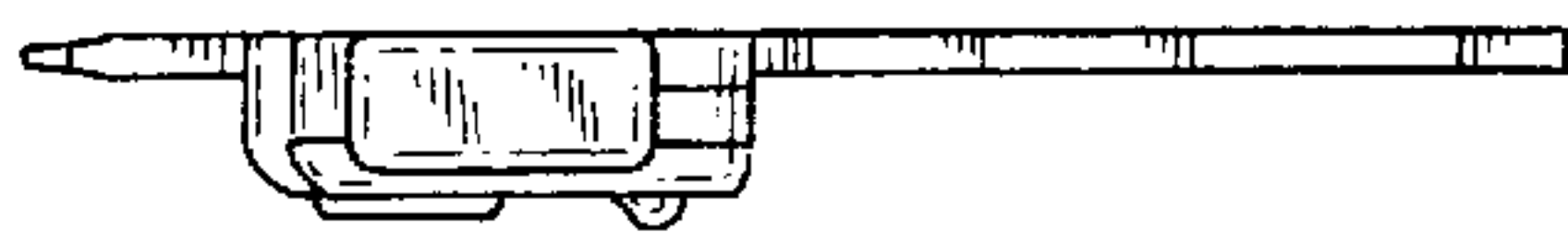


FIG. 4

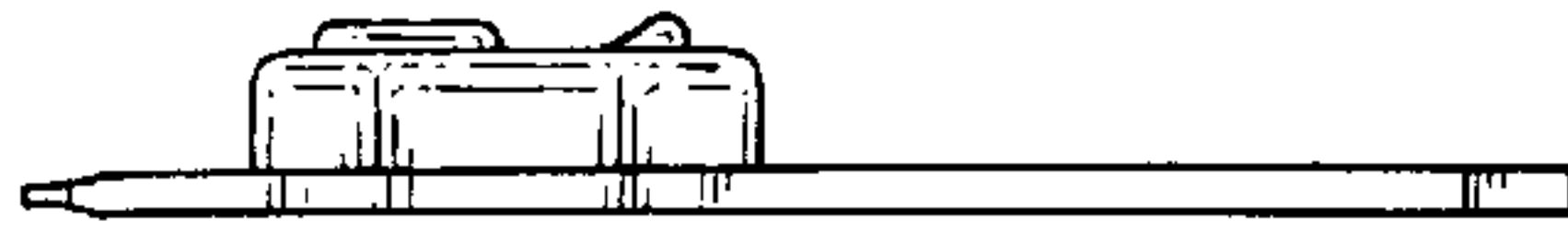


FIG. 5

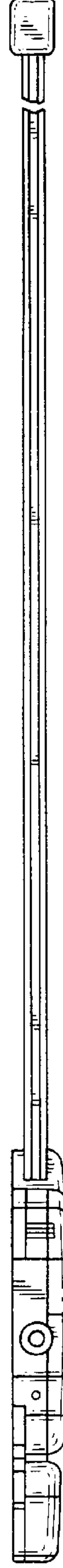


FIG. 2

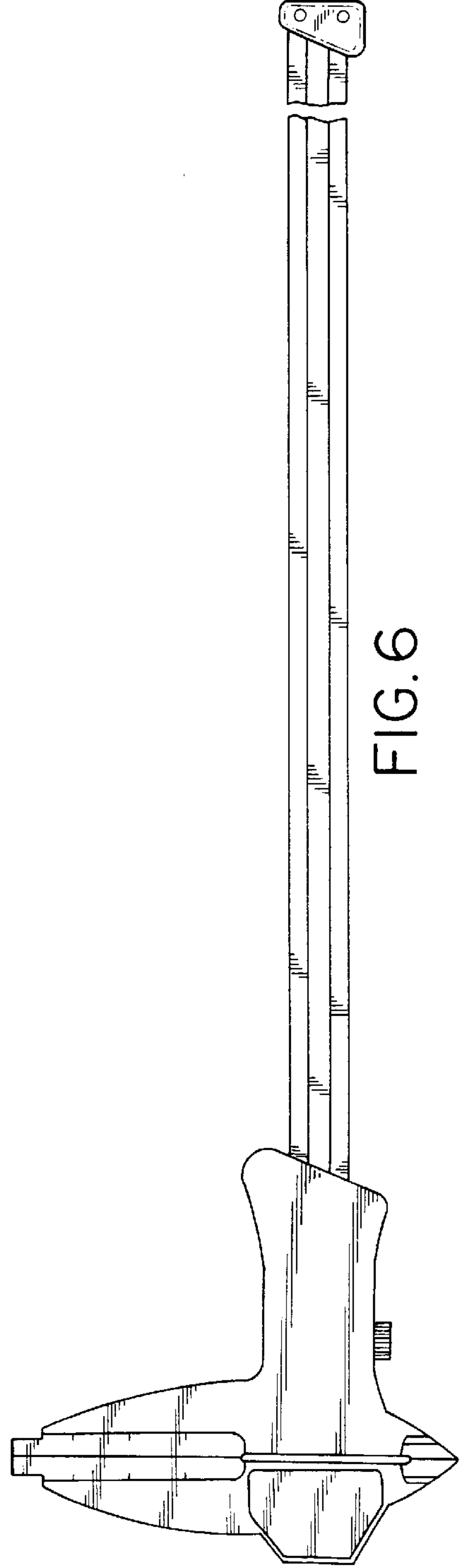


FIG. 6

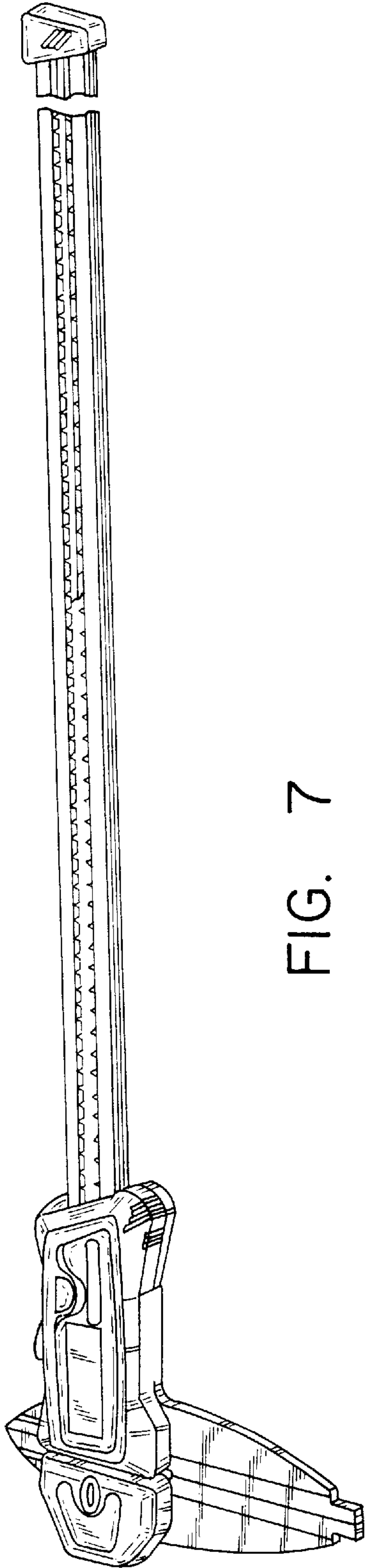


FIG. 7

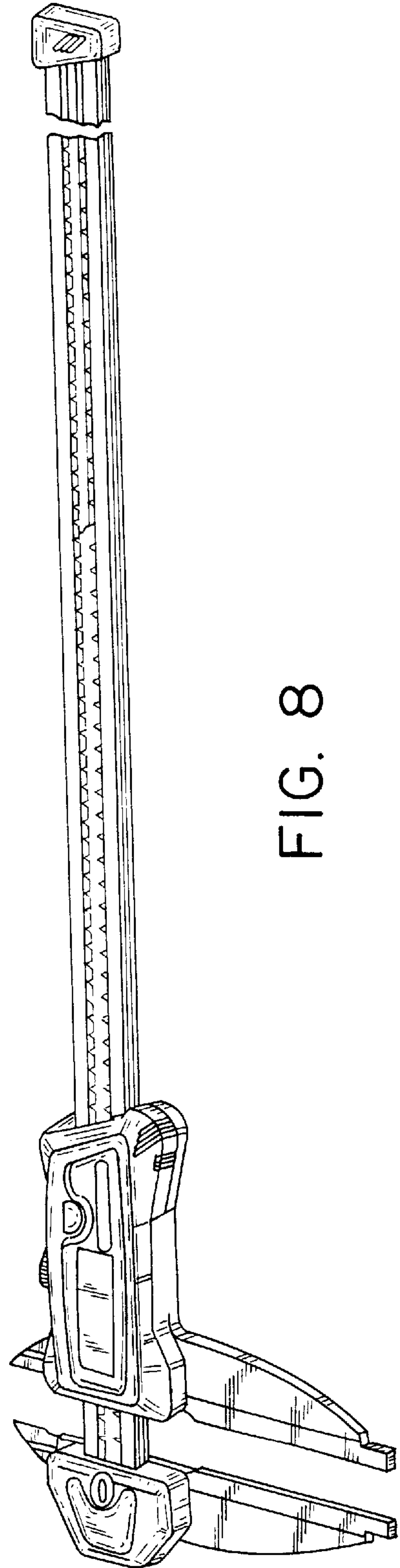


FIG. 8