



US00D401169S

United States Patent [19]
Smith

[11] **Patent Number: Des. 401,169**

[45] **Date of Patent: **Nov. 17, 1998**

[54] **ILLUMINATED LEVEL**

[76] Inventor: **David J. Smith**, P.O. Box 66, Louth,
LN11 0FZ, United Kingdom

[**] Term: **14 Years**

[21] Appl. No.: **82,040**

[22] Filed: **Oct. 23, 1997**

[51] **LOC (6) Cl.** **10-04**

[52] **U.S. Cl.** **D10/69**

[58] **Field of Search** **D10/69; 33/365-390**

[56] **References Cited**

U.S. PATENT DOCUMENTS

4,189,844 2/1980 Riggins, Sr. 33/374 X

Primary Examiner—Antoine Duval Davis
Attorney, Agent, or Firm—Rader, Fishman & Grauer PLLC

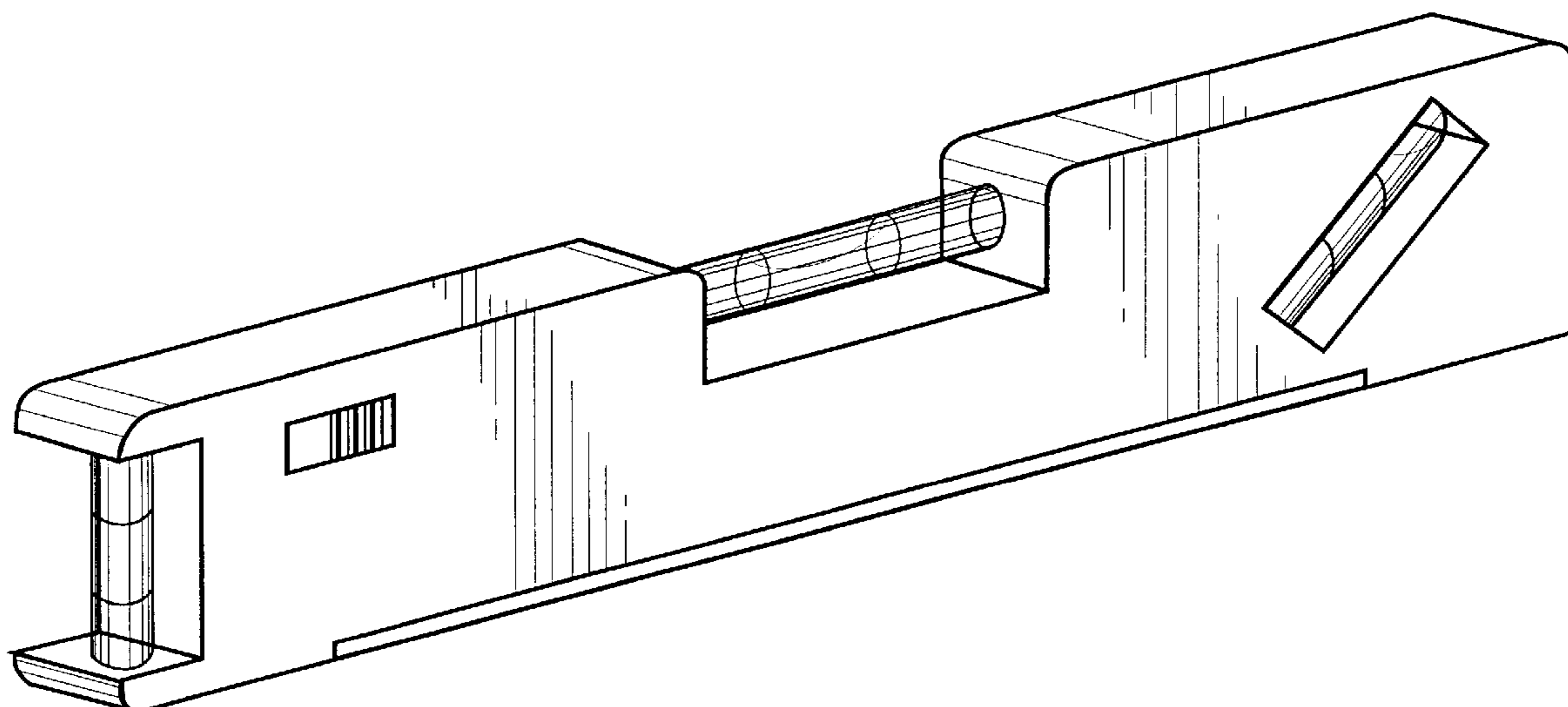
[57] **CLAIM**

The ornamental design for an illuminated level, as shown and described.

DESCRIPTION

FIG. 1 is a view of the front face of the illuminated level; FIG. 2 is a view of the reverse face of the illuminated level; FIG. 3 is a view of the right face of the illuminated level; FIG. 4 is a view of the left face of the illuminated level; FIG. 5 is a view of the top face of the illuminated level; FIG. 6 is a view of the bottom face of the illuminated level; and, FIG. 7 is an isometric view of the illuminated level.

1 Claim, 4 Drawing Sheets



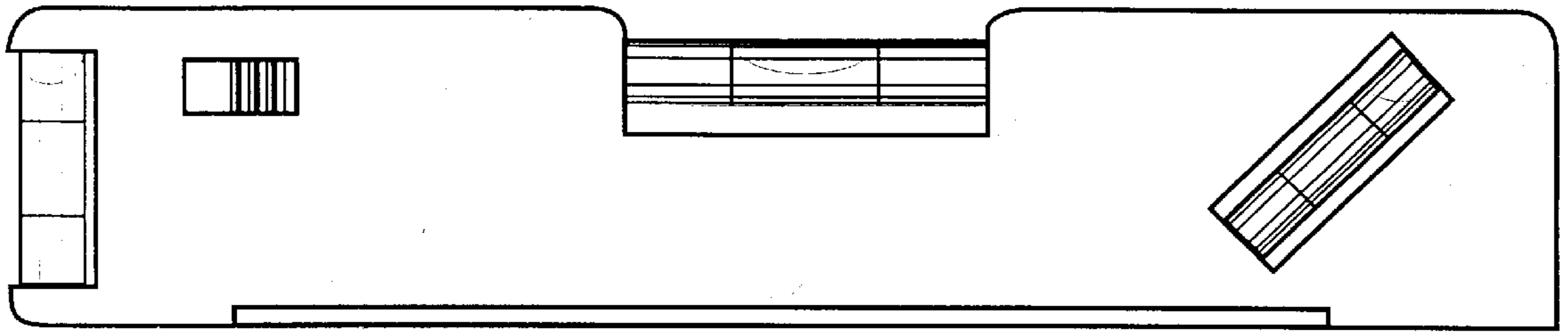


FIG 1

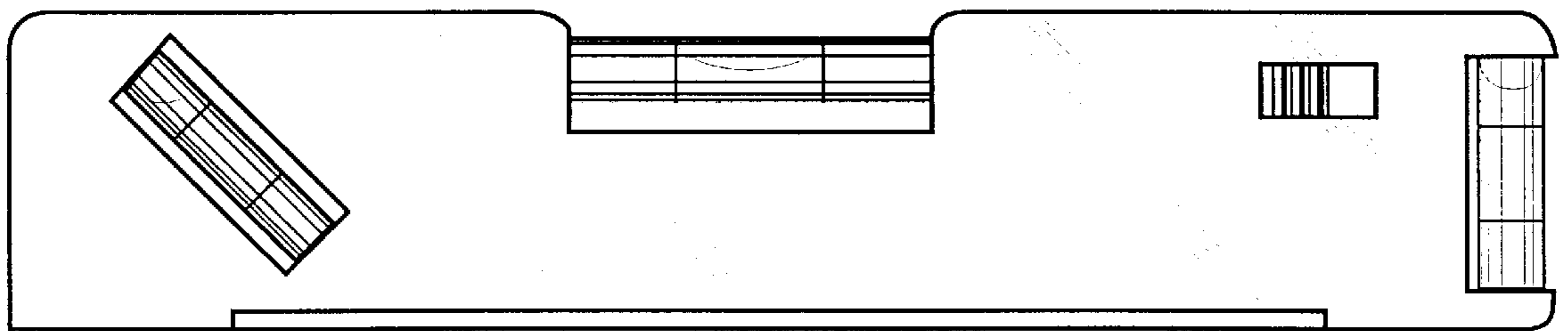


FIG 2

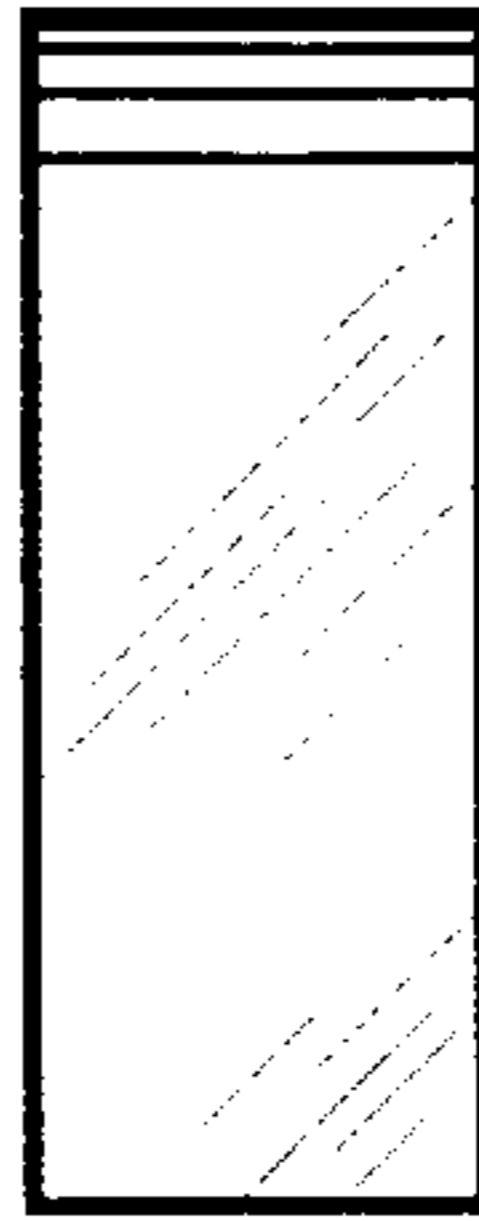


FIG 3

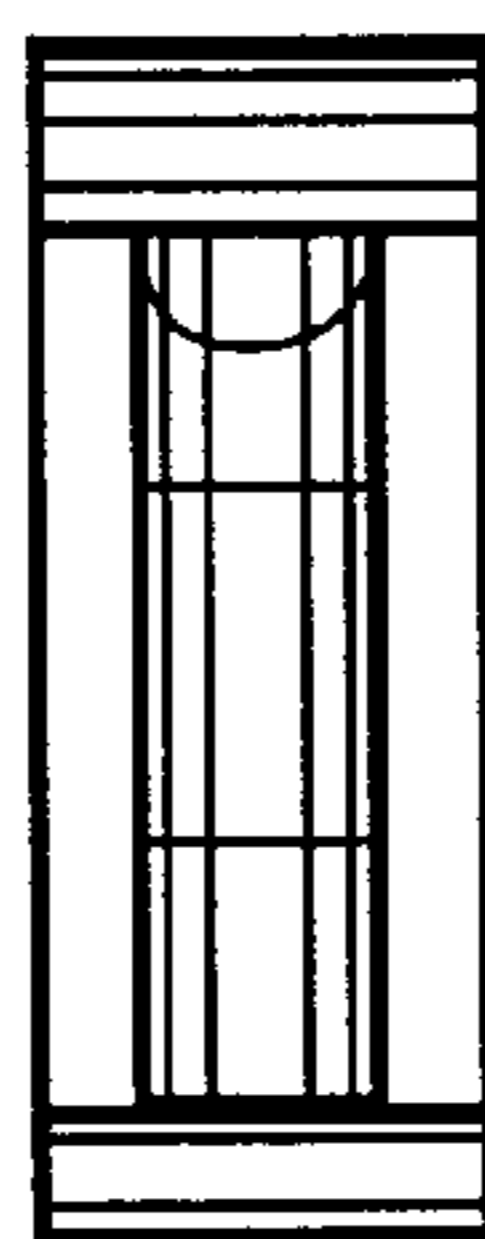


FIG 4

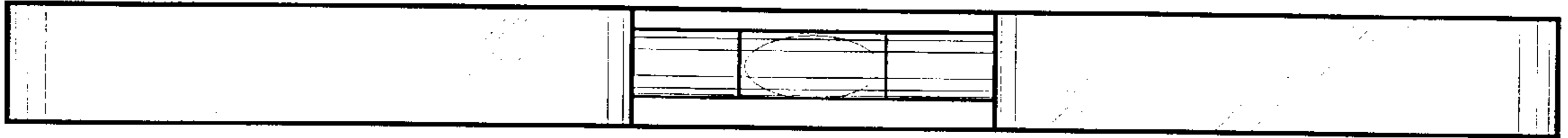


FIG 5

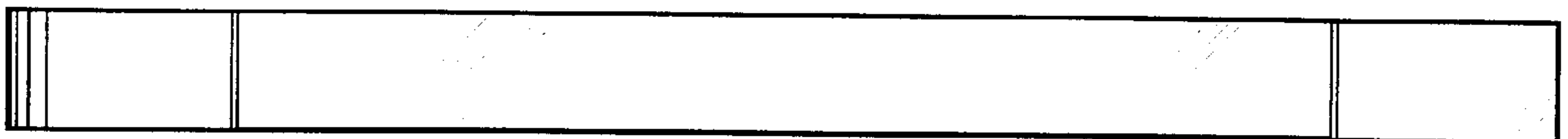


FIG 6

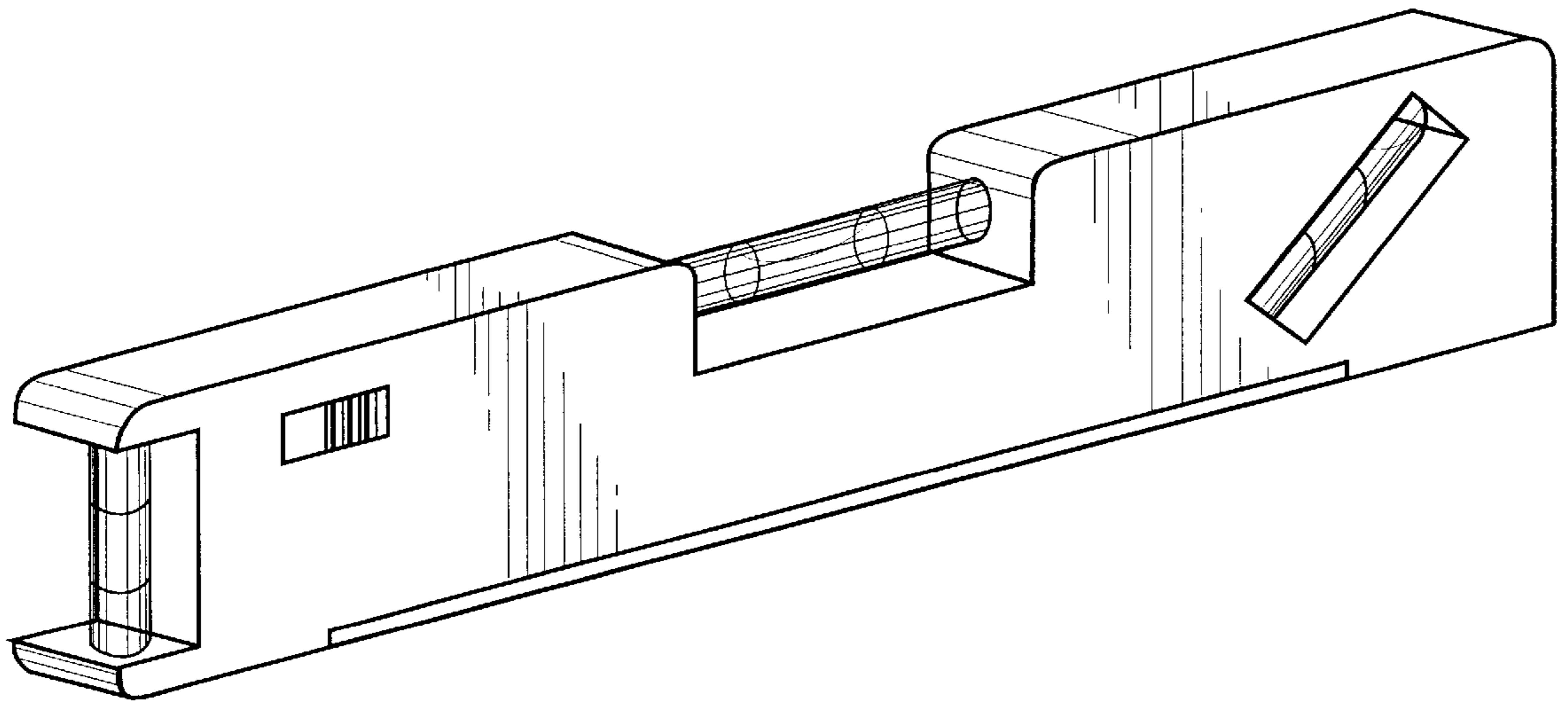


FIG 7